



US00D883141S

(12) **United States Design Patent** (10) **Patent No.:** **US D883,141 S**
Lin (45) **Date of Patent:** **** May 5, 2020**

(54) **UNMANNED REMOTE CONTROL AIRCRAFT**

(71) Applicant: **Qi Lin**, Shenzhen (CN)

(72) Inventor: **Qi Lin**, Shenzhen (CN)

(**) Term: **15 Years**

(21) Appl. No.: **29/712,650**

(22) Filed: **Nov. 11, 2019**

(51) **LOC (12) Cl.** **12-07**

(52) **U.S. Cl.**
USPC **D12/16.1**

(58) **Field of Classification Search**
USPC D12/1, 2, 3, 4, 16.1, 319-345;
D21/437-455
CPC B64C 29/0033; B64C 2201/021; B64C
29/02; B64C 2201/088; B64C 2201/104;
B64C 2201/141
See application file for complete search history.

(56) **References Cited**

U.S. PATENT DOCUMENTS

D691,514 S *	10/2013	Wang	D12/16.1
D745,435 S *	12/2015	Park	D12/16.1
D760,848 S *	7/2016	McKenna	D12/16.1
D763,134 S *	8/2016	Wang	D12/16.1
D783,453 S	4/2017	Klick		
D783,727 S *	4/2017	Xiao	D21/441
D784,854 S	4/2017	Huang et al.		
D785,717 S *	5/2017	Xiao	D21/441
D793,482 S *	8/2017	Wang	D12/16.1
D796,586 S *	9/2017	Chen	D12/16.1
D798,962 S *	10/2017	Xiao	D21/441
D798,963 S *	10/2017	Xiao	D21/441
D800,016 S *	10/2017	Huang	D12/16.1
D803,724 S	11/2017	Zhou		
D814,385 S *	4/2018	Zhao	D12/328
D817,850 S *	5/2018	Xiao	D12/328
D820,158 S *	6/2018	Jeong	D12/16.1

10,007,272 B2 *	6/2018	Tirpak	G05D 1/0676
D825,669 S *	8/2018	Tompkin	D21/441
10,155,584 B2 *	12/2018	Wang	B64C 39/024
10,165,232 B2 *	12/2018	Quast	B64C 39/02
D843,266 S *	3/2019	Chen	D12/16.1
D864,082 S *	10/2019	Zhou	D12/328
D864,083 S *	10/2019	Zhou	D12/328
10,453,473 B2 *	10/2019	Whittaker	H04R 3/00
2016/0122010 A1 *	5/2016	Tang	G01C 19/02 244/17.23

(Continued)

Primary Examiner — Marissa J Cash
(74) *Attorney, Agent, or Firm* — HYIP

(57) **CLAIM**

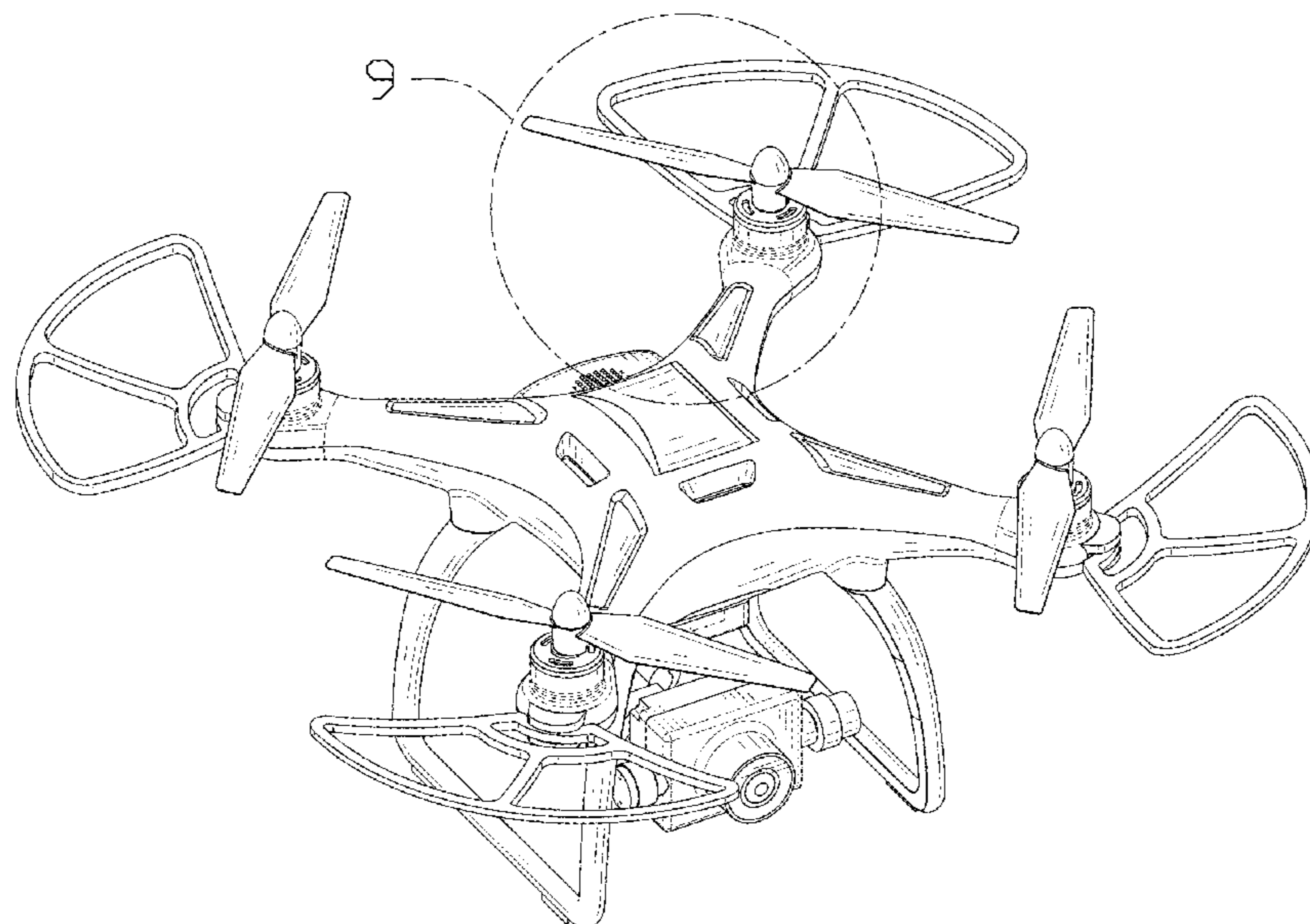
The ornamental design for an unmanned remote control aircraft, as shown and described.

DESCRIPTION

FIG. 1 is a first perspective view of an unmanned remote control aircraft showing my new design;
FIG. 2 is a second perspective view thereof;
FIG. 3 is a front view thereof;
FIG. 4 is a back view thereof;
FIG. 5 is a left side view thereof;
FIG. 6 is a right side view thereof;
FIG. 7 is atop view thereof;
FIG. 8 is a bottom view thereof;
FIG. 9 is an enlarged view of the selected portion in FIG. 1;
FIG. 10 is an enlarged view of the selected portion in FIG. 2; and,
FIG. 11 is an enlarged view of the selected portion in FIG. 4.

The evenly-spaced broken lines depict portions of the unmanned remote control aircraft that form no part of the claimed design. The dash-dot lines surrounding the detail view are for illustrative purposes only and form no part of the claimed design.

1 Claim, 11 Drawing Sheets



(56)

References Cited

U.S. PATENT DOCUMENTS

2016/0144734 A1* 5/2016 Wang B60L 11/822
701/17
2016/0183514 A1* 6/2016 Dederick A01M 29/16
119/713
2017/0222594 A1* 8/2017 Tao H02P 29/60
2017/0225795 A1* 8/2017 Lin G06F 12/02
2017/0237948 A1* 8/2017 Quast B64C 39/02
348/144
2017/0247107 A1* 8/2017 Hauer B64C 39/024
2017/0297445 A1* 10/2017 Zheng B64C 39/024
2017/0300717 A1* 10/2017 Hu H04B 7/0608
2018/0012336 A1* 1/2018 Cao G06T 7/32

* cited by examiner

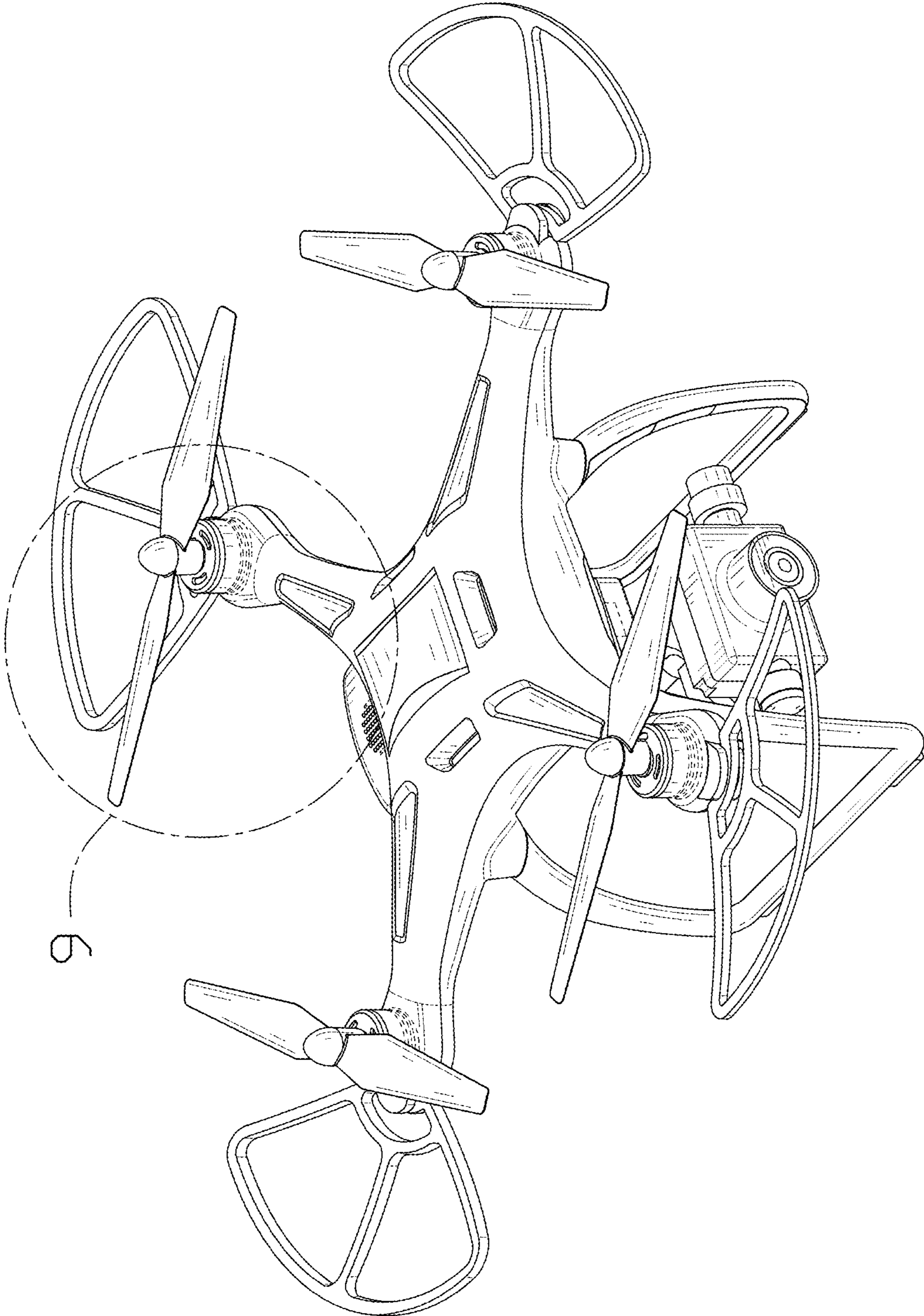


FIG. 1

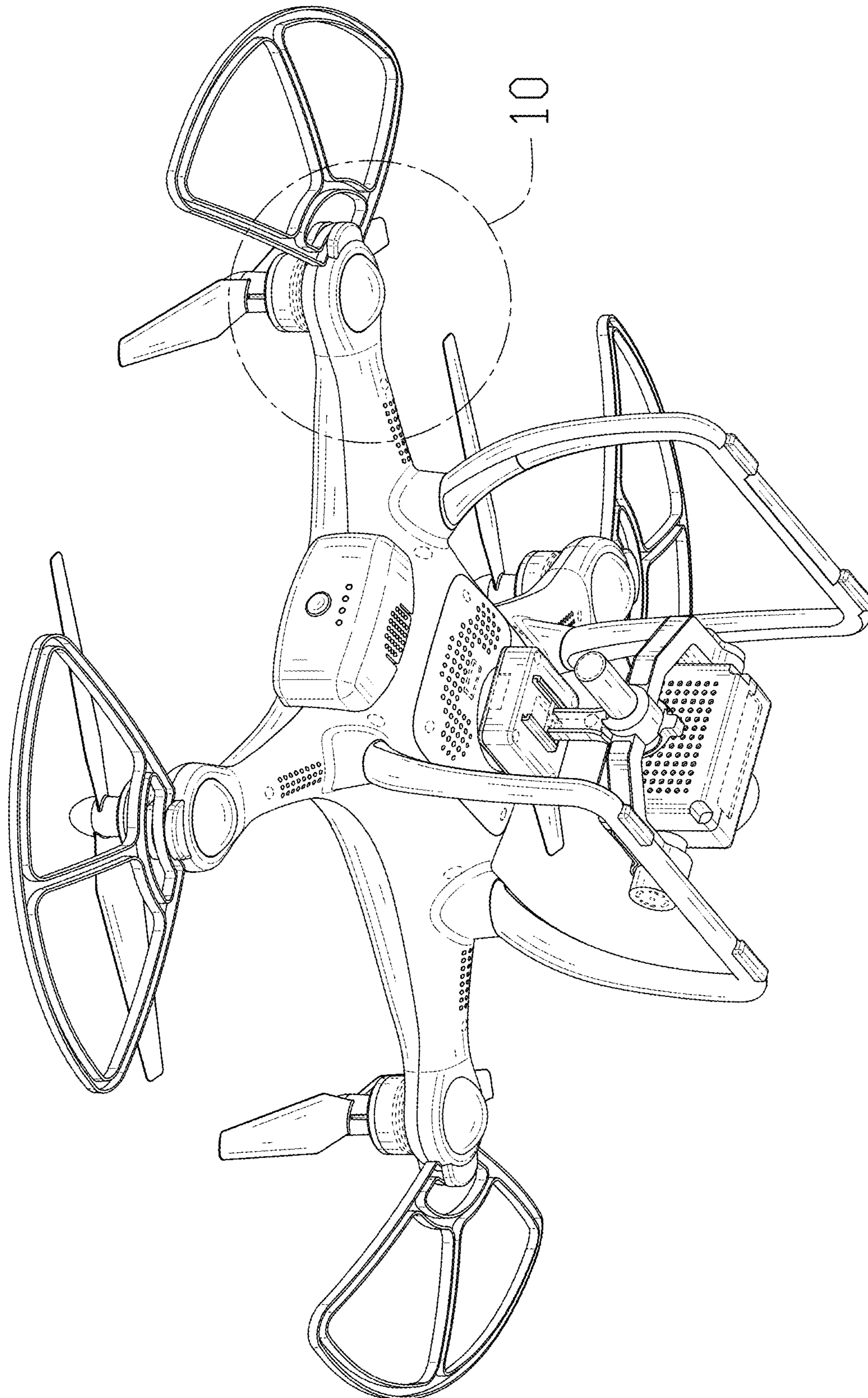


FIG. 2

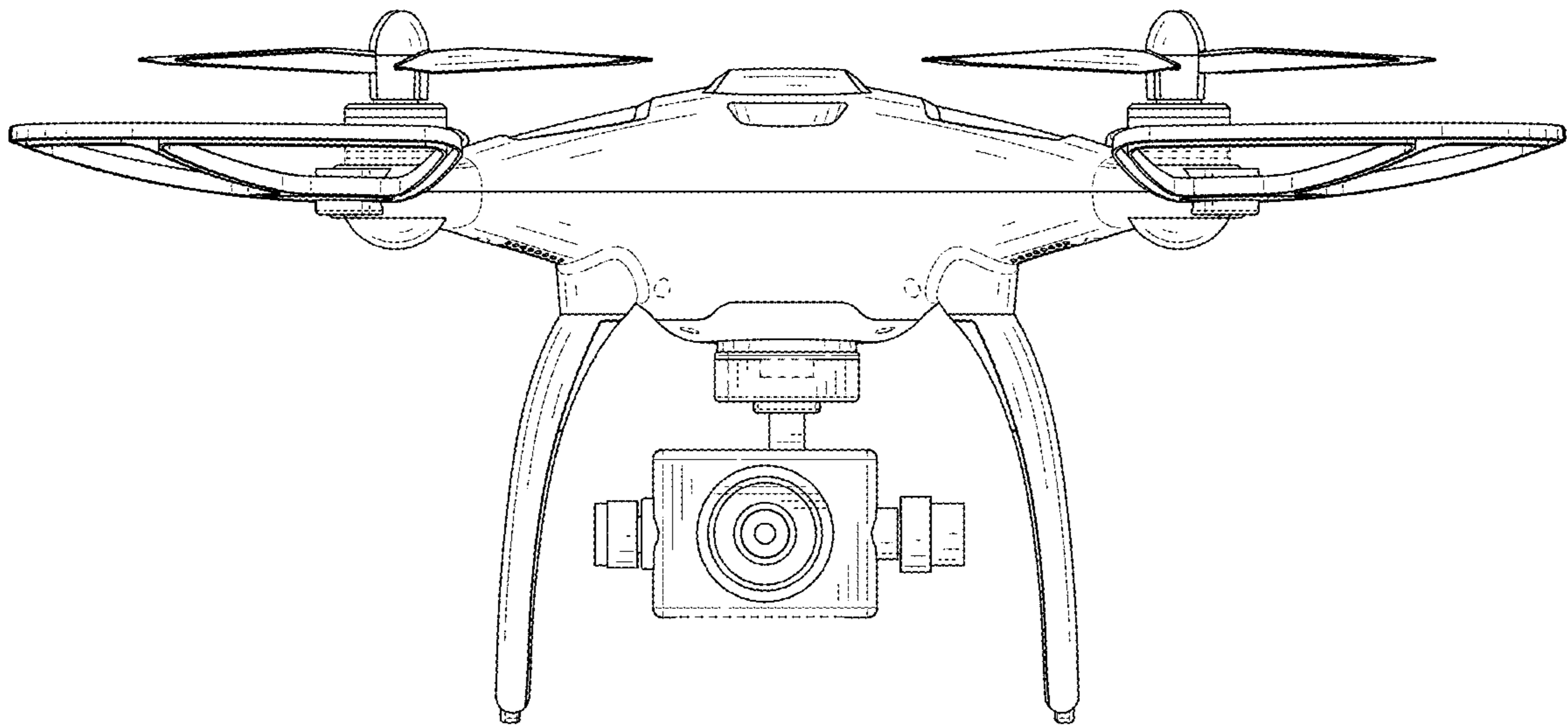


FIG. 3

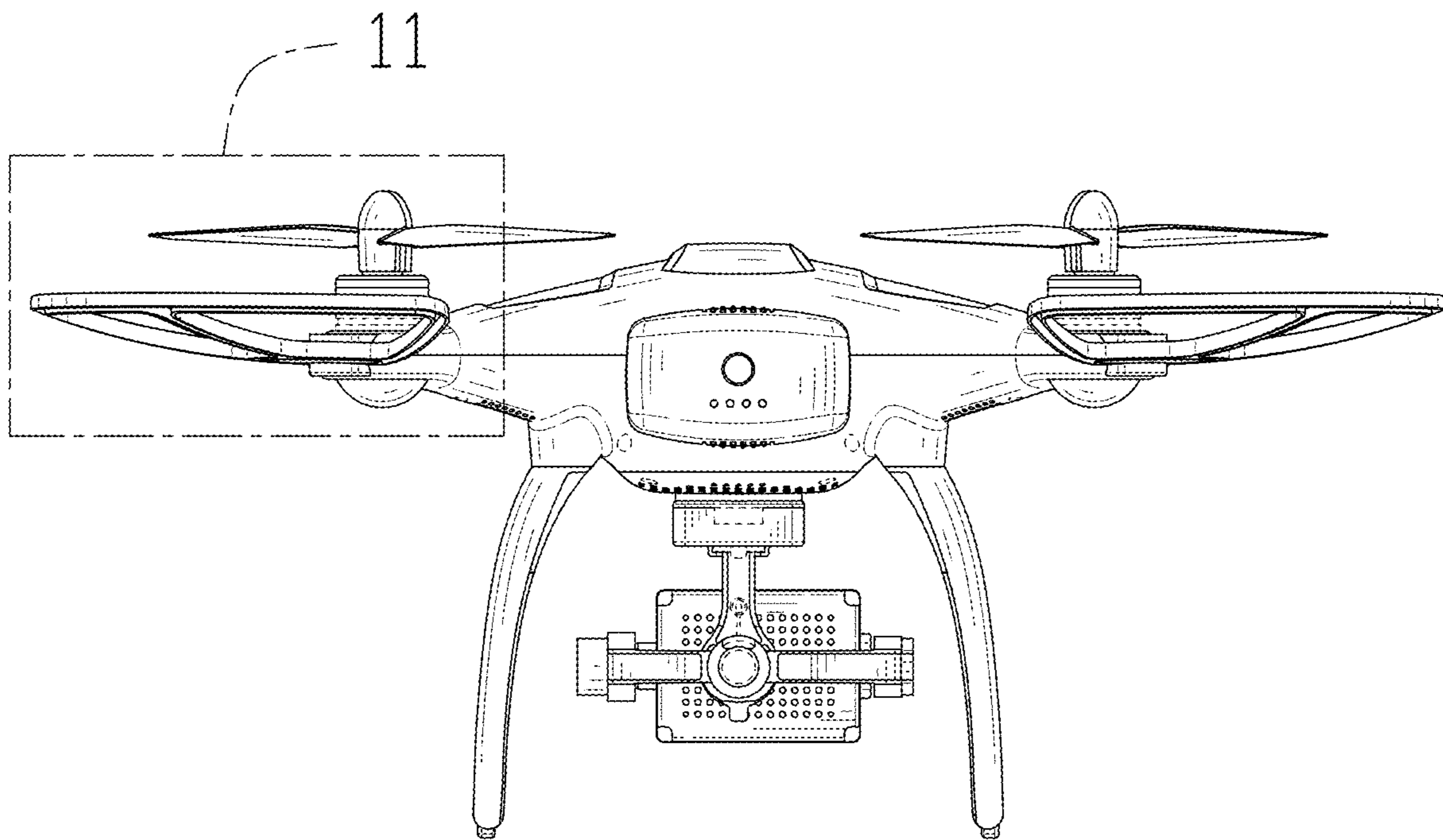


FIG. 4

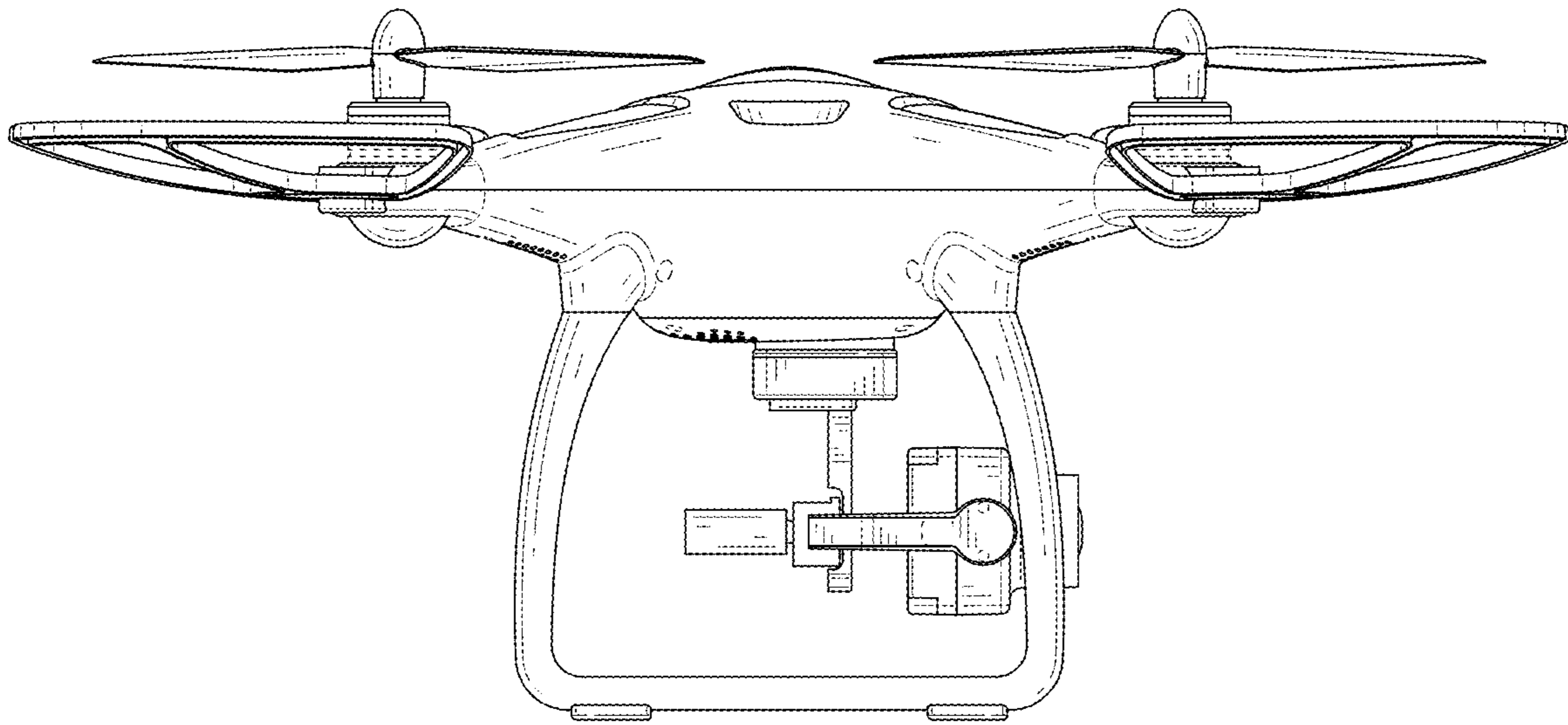


FIG. 5

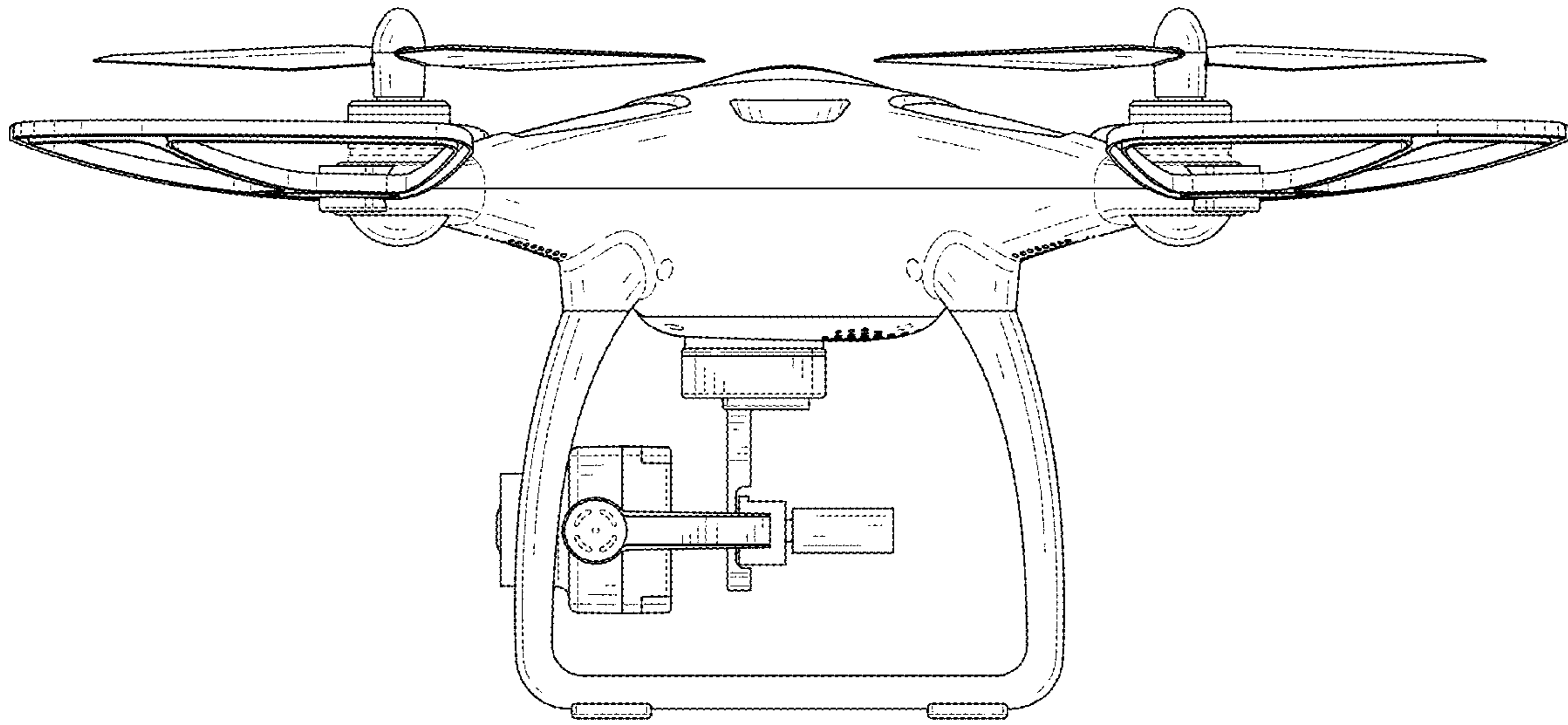


FIG. 6

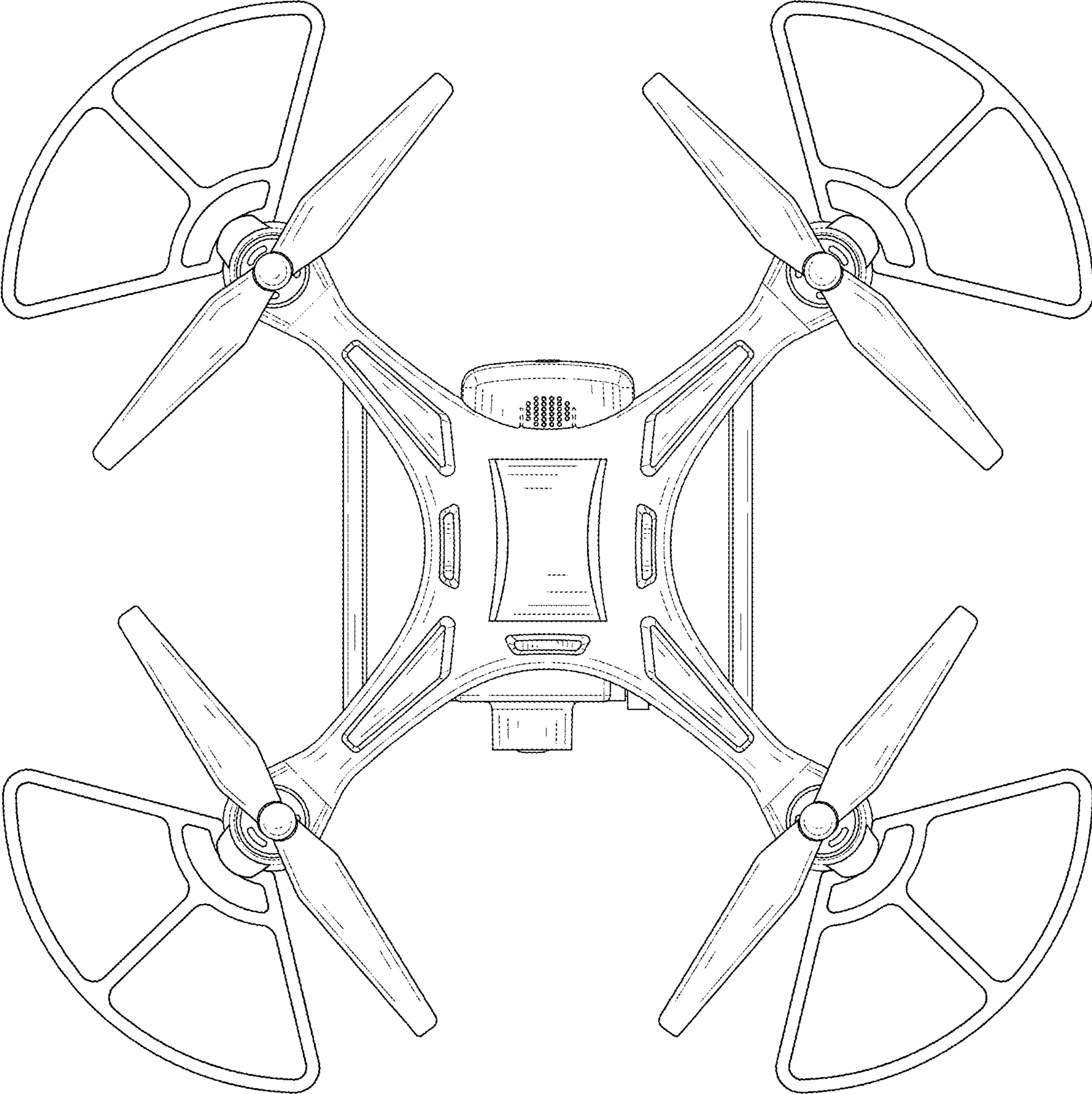


FIG. 7

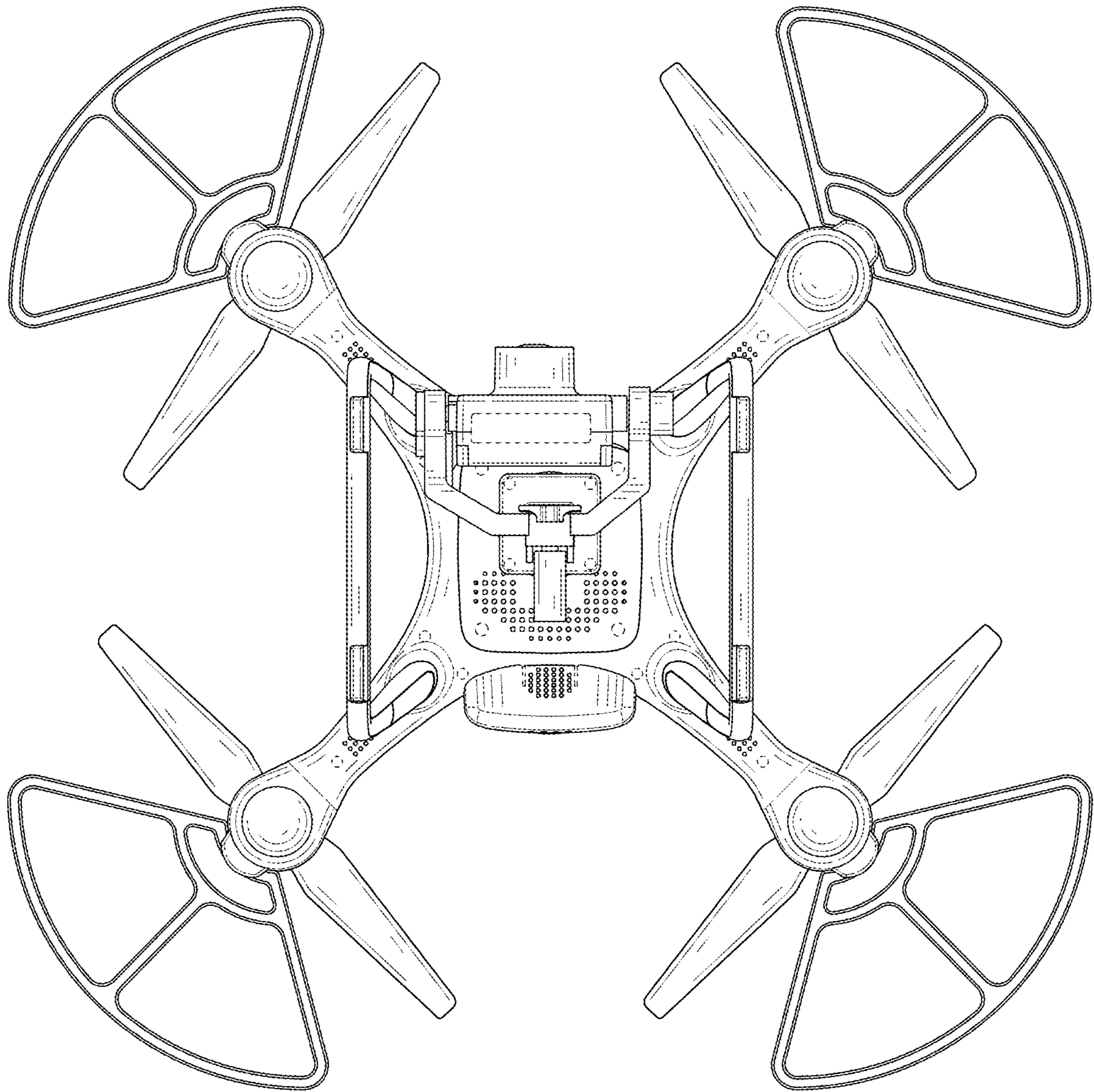


FIG. 8

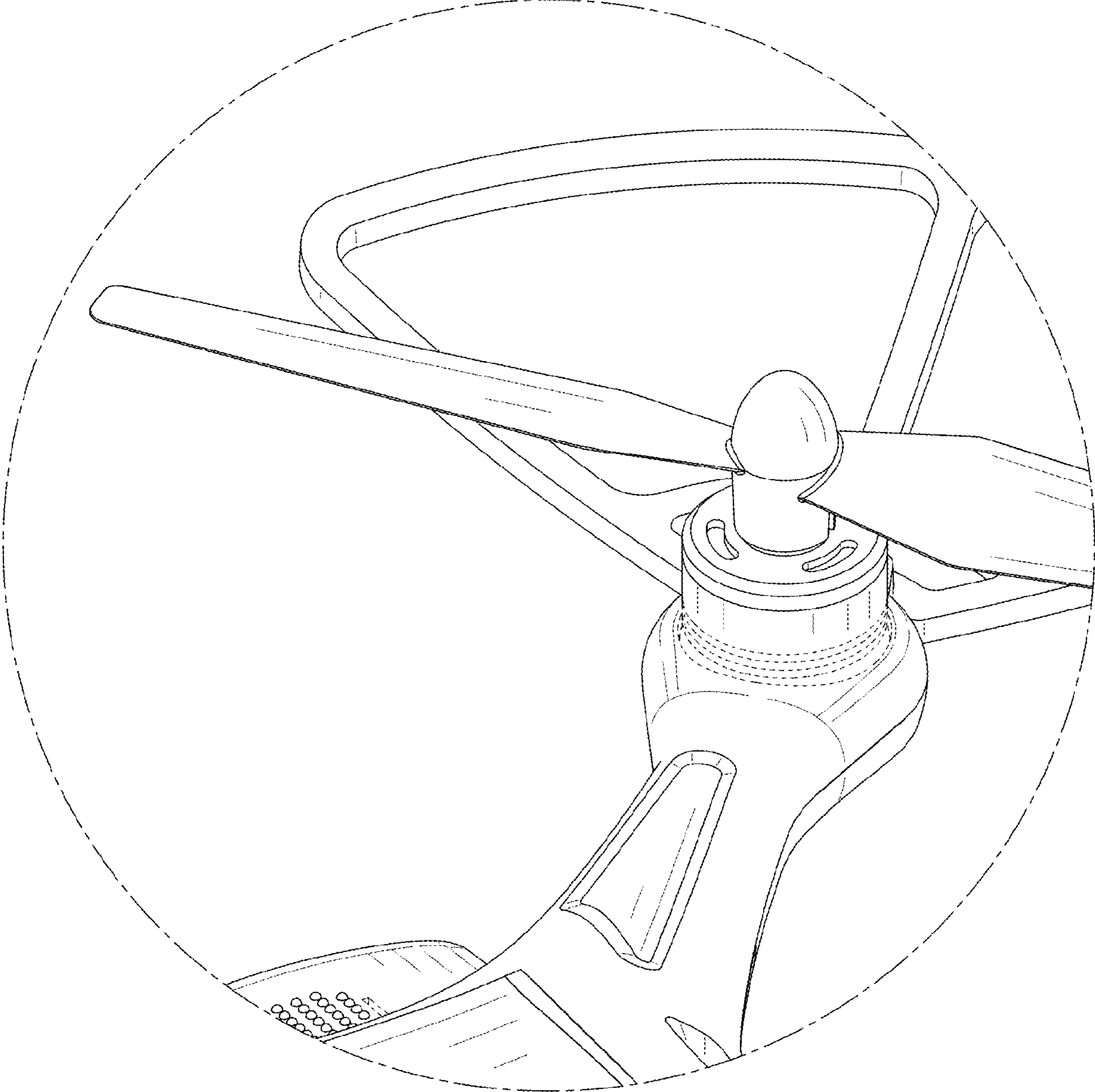


FIG. 9

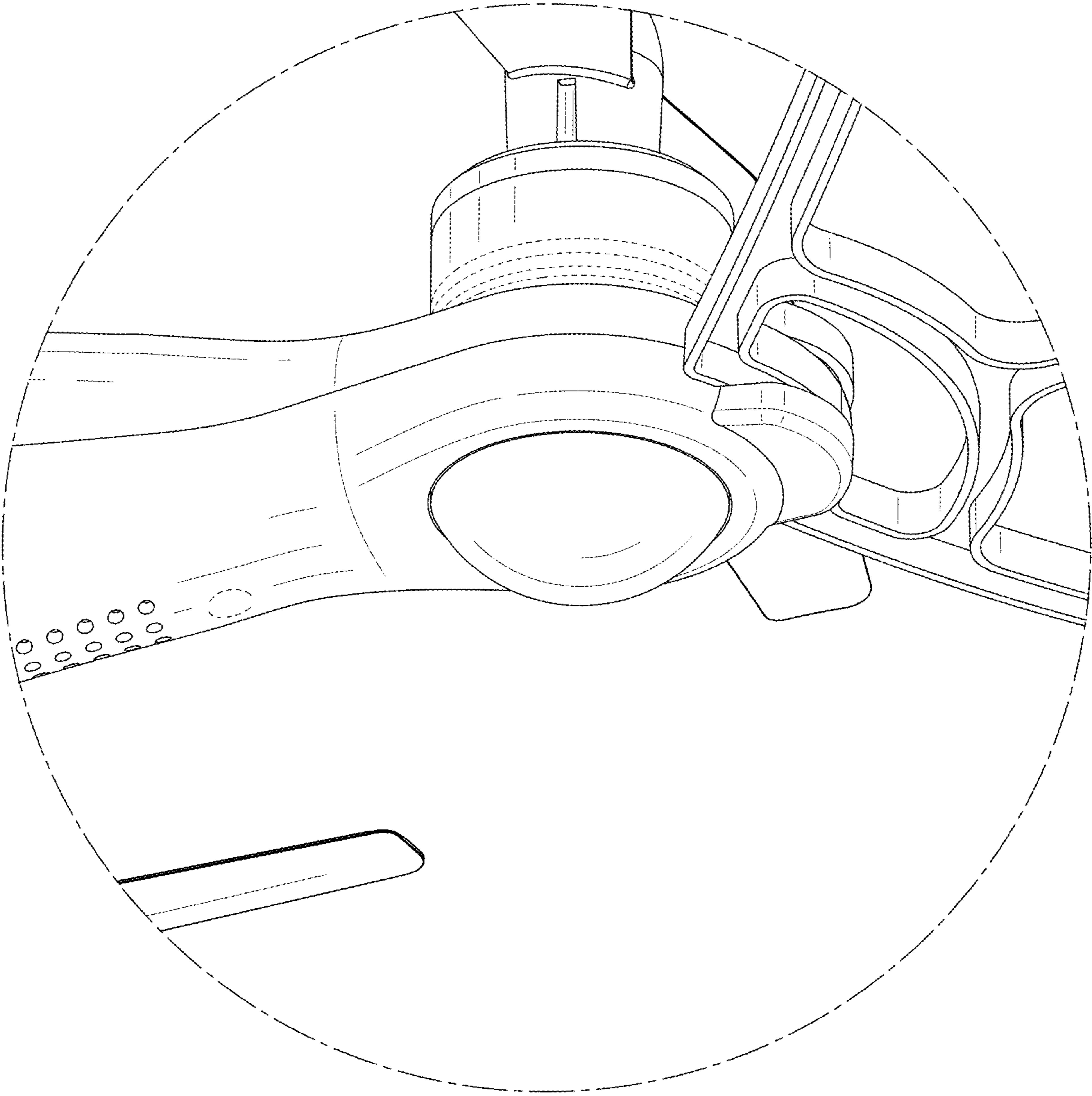


FIG. 10

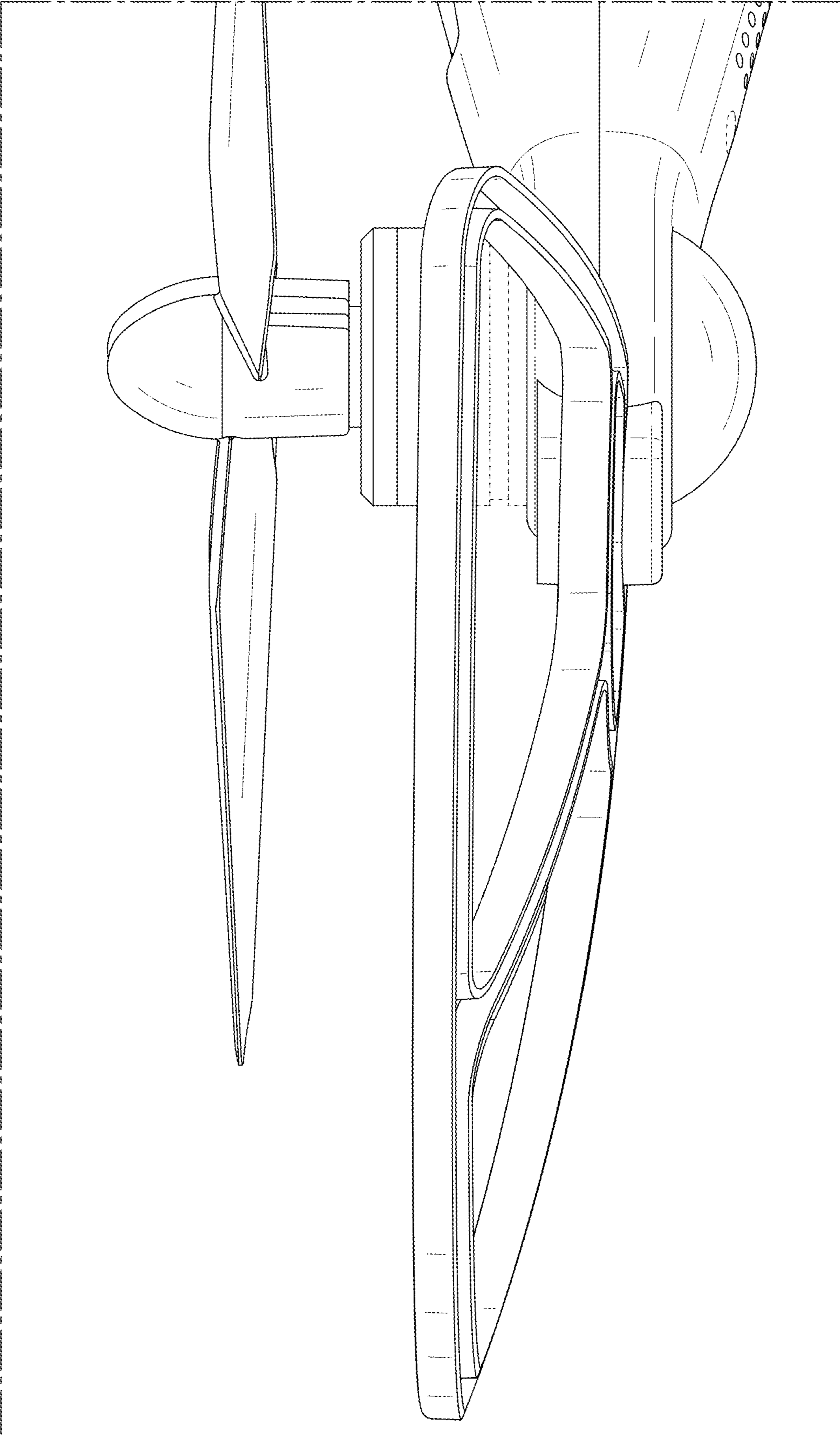


FIG. 11