



US00D883140S

(12) **United States Design Patent**  
**Chen et al.**

(10) **Patent No.:** **US D883,140 S**

(45) **Date of Patent:** **\*\* May 5, 2020**

(54) **UNMANNED AERIAL VEHICLE**

(71) Applicant: **Beijing Airlango Technology Co., Ltd., Beijing (CN)**

(72) Inventors: **Sihan Chen, Beijing (CN); Yinian Mao, Beijing (CN)**

(73) Assignee: **Beijing Airlango Technology Co., Ltd., Beijing (CN)**

(\*\*) Term: **15 Years**

(21) Appl. No.: **29/629,009**

(22) Filed: **Dec. 11, 2017**

(30) **Foreign Application Priority Data**

Sep. 20, 2017 (CN) ..... 2017 3 0447016

(51) **LOC (12) Cl.** ..... **12-06**

(52) **U.S. Cl.**  
USPC ..... **D12/16.1; D12/345**

(58) **Field of Classification Search**  
USPC ..... D12/319-345, 16.1, 1-4, 415;  
D21/436-455; D14/218  
CPC ..... B64C 2201/146; B64C 2201/027; B64C  
2201/104; B64C 25/06; B64C 25/24;  
B64C 39/04; B64C 5/02  
See application file for complete search history.

(56) **References Cited**

**U.S. PATENT DOCUMENTS**

D521,986 S *	5/2006	Depay	.....	D14/218
D534,900 S *	1/2007	Weitgasser	.....	D14/218
D594,852 S *	6/2009	Klein	.....	D14/218
D609,222 S *	2/2010	Shin	.....	D14/218
D729,209 S *	5/2015	McManigal	.....	D14/218
D741,779 S *	10/2015	Hsiao	.....	D12/16.1
D775,106 S *	12/2016	Chandel	.....	D14/218
D778,266 S *	2/2017	Maier	.....	D14/218
D785,541 S *	5/2017	Du	.....	D12/328

D798,961 S *	10/2017	Li	.....	D21/441
D813,723 S *	3/2018	Ahn	.....	D12/16.1
D813,724 S *	3/2018	Hu	.....	D12/16.1
D818,872 S *	5/2018	Ho	.....	D12/16.1
D818,874 S *	5/2018	Tian	.....	D12/16.1
D819,749 S *	6/2018	Caubel	.....	D21/449
D821,263 S *	6/2018	Goldy	.....	D12/16.1
D825,379 S *	8/2018	Gury	.....	D12/16.1
D843,267 S *	3/2019	Gao	.....	D12/16.1
D849,154 S *	5/2019	Zhao	.....	D21/436
D854,448 S *	7/2019	Chen	.....	D12/16.1
D858,353 S *	9/2019	Gan	.....	D12/16.1
D860,047 S *	9/2019	Gan	.....	D12/16.1
D860,048 S *	9/2019	Caubel	.....	D12/16.1

(Continued)

**OTHER PUBLICATIONS**

Airlango Mystic by CoolThings. dated Jul. 17, 2018. found online [Nov. 20, 2019] <https://www.coolthings.com/airlango-mystic-smartest-drone-under-500/>.\*

*Primary Examiner* — Marissa J Cash

(74) *Attorney, Agent, or Firm* — IPro, PLLC

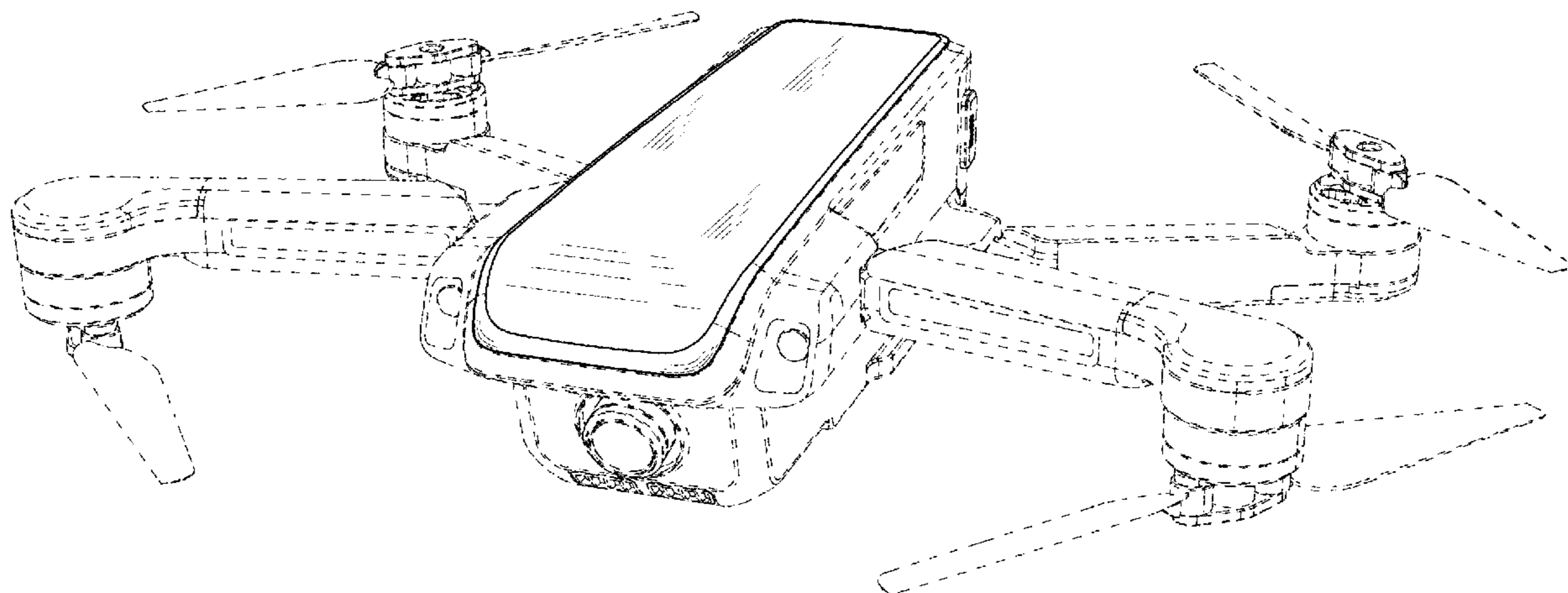
(57) **CLAIM**

The ornamental design for an unmanned aerial vehicle, as shown and described.

**DESCRIPTION**

FIG. 1 is a perspective view of an unmanned aerial vehicle embodying the new design;  
FIG. 2 is a side view thereof;  
FIG. 3 is another side view thereof;  
FIG. 4 is a back view thereof;  
FIG. 5 is a front view thereof;  
FIG. 6 is a top view thereof; and,  
FIG. 7 is a bottom view thereof.  
In the drawings, the broken lines depict portions of the unmanned aerial vehicle that form no part of the claimed design.

**1 Claim, 7 Drawing Sheets**



(56)

**References Cited**

U.S. PATENT DOCUMENTS

D861,573 S \* 10/2019 He ..... D12/328  
D864,022 S \* 10/2019 Gan ..... D12/16.1  
2017/0174316 A1\* 6/2017 Huddleston, Jr. .... B64C 11/00  
2017/0301109 A1\* 10/2017 Chan ..... G06K 9/0063  
2018/0095468 A1\* 4/2018 Yang ..... B64C 39/024  
2018/0149947 A1\* 5/2018 Kim ..... B64C 25/10  
2019/0039719 A1\* 2/2019 Baek ..... B64C 11/04

\* cited by examiner

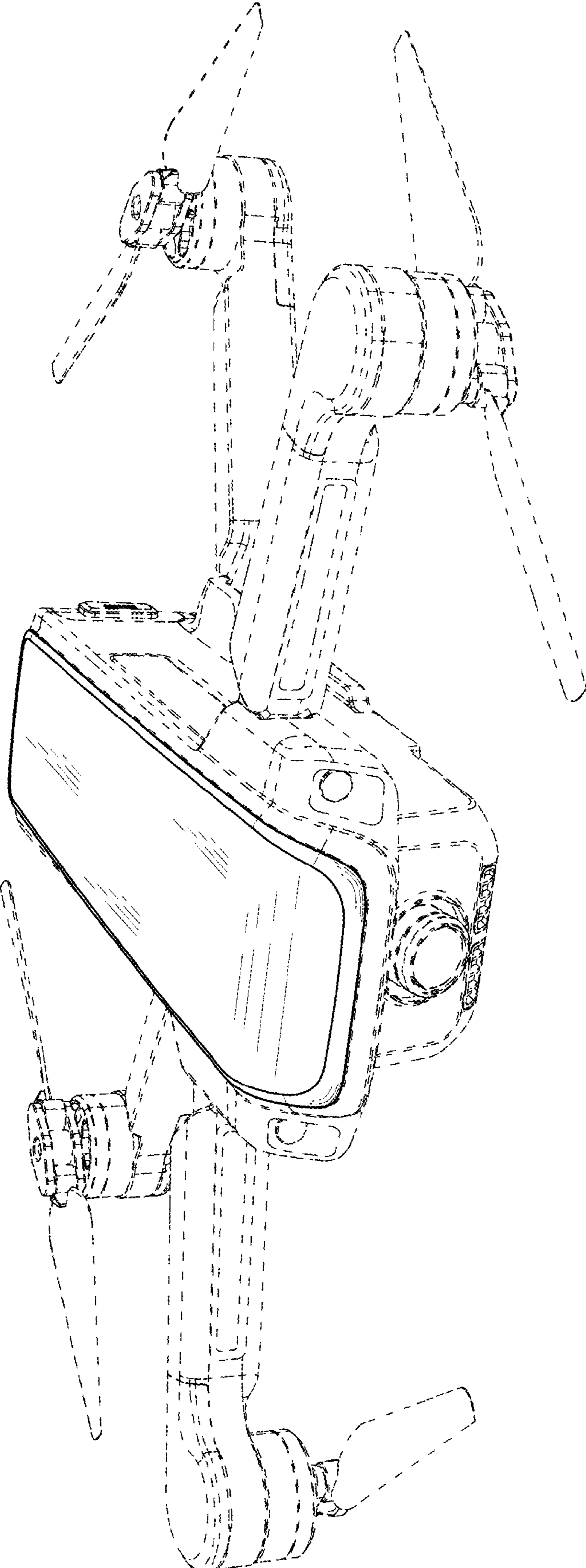


FIG. 1

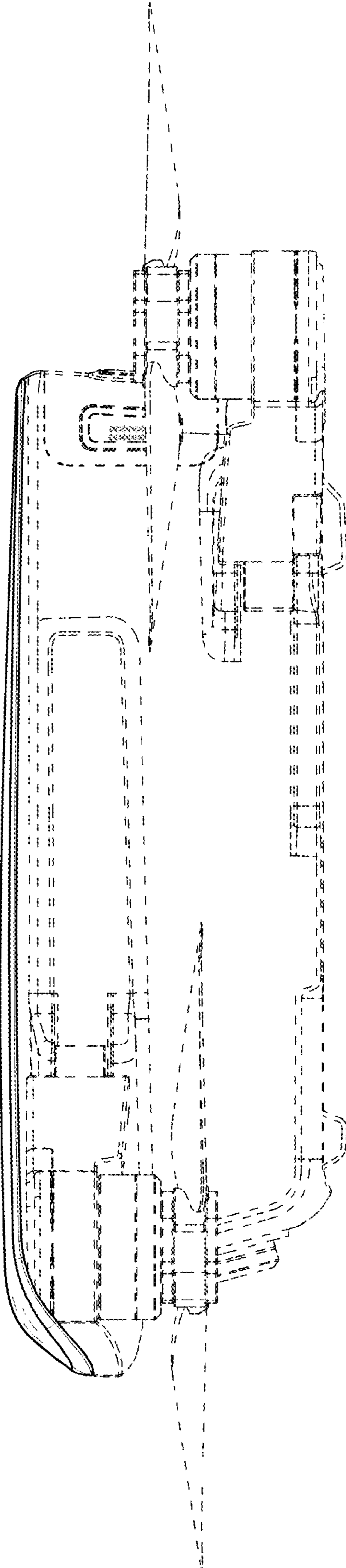


FIG. 2

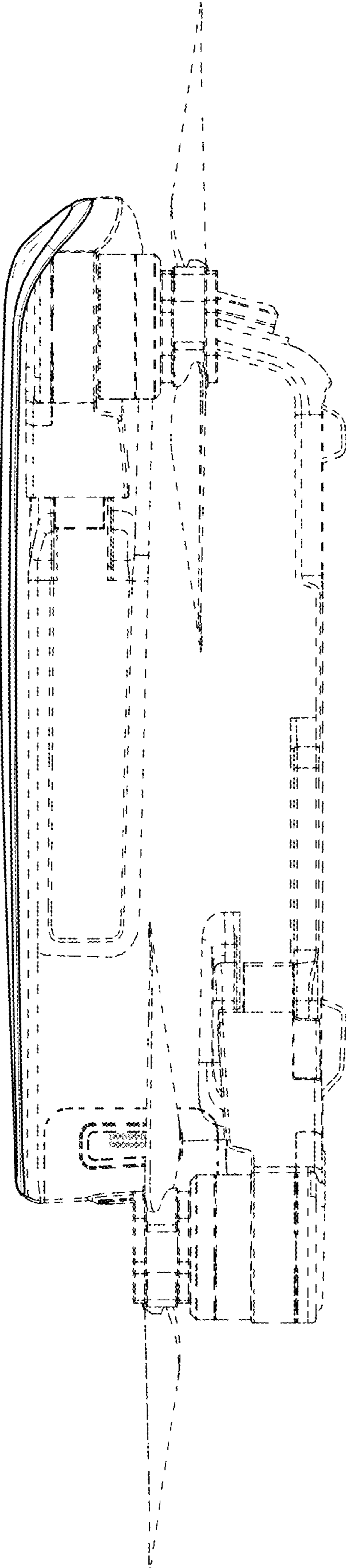


FIG. 3

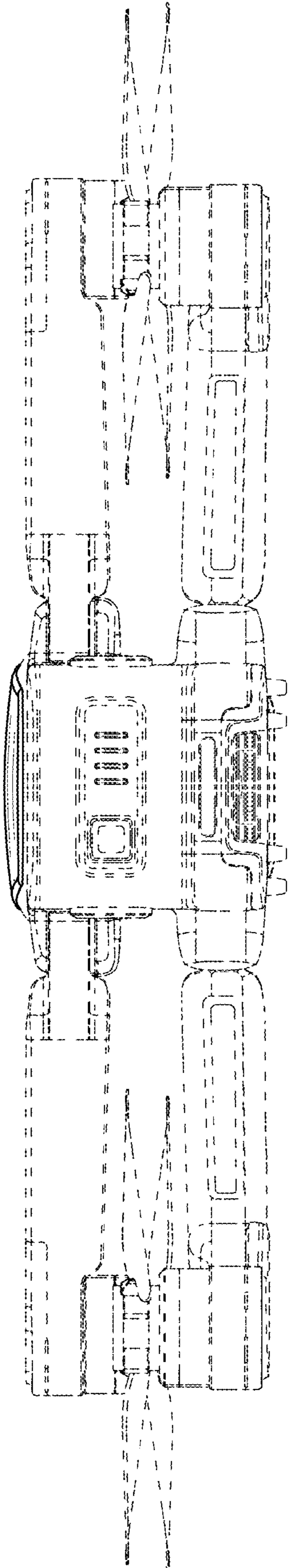


FIG. 4

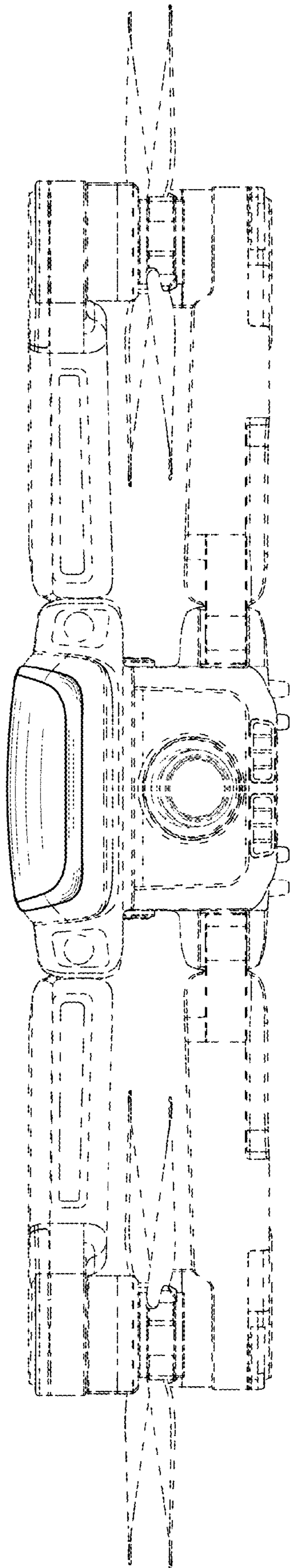


FIG. 5

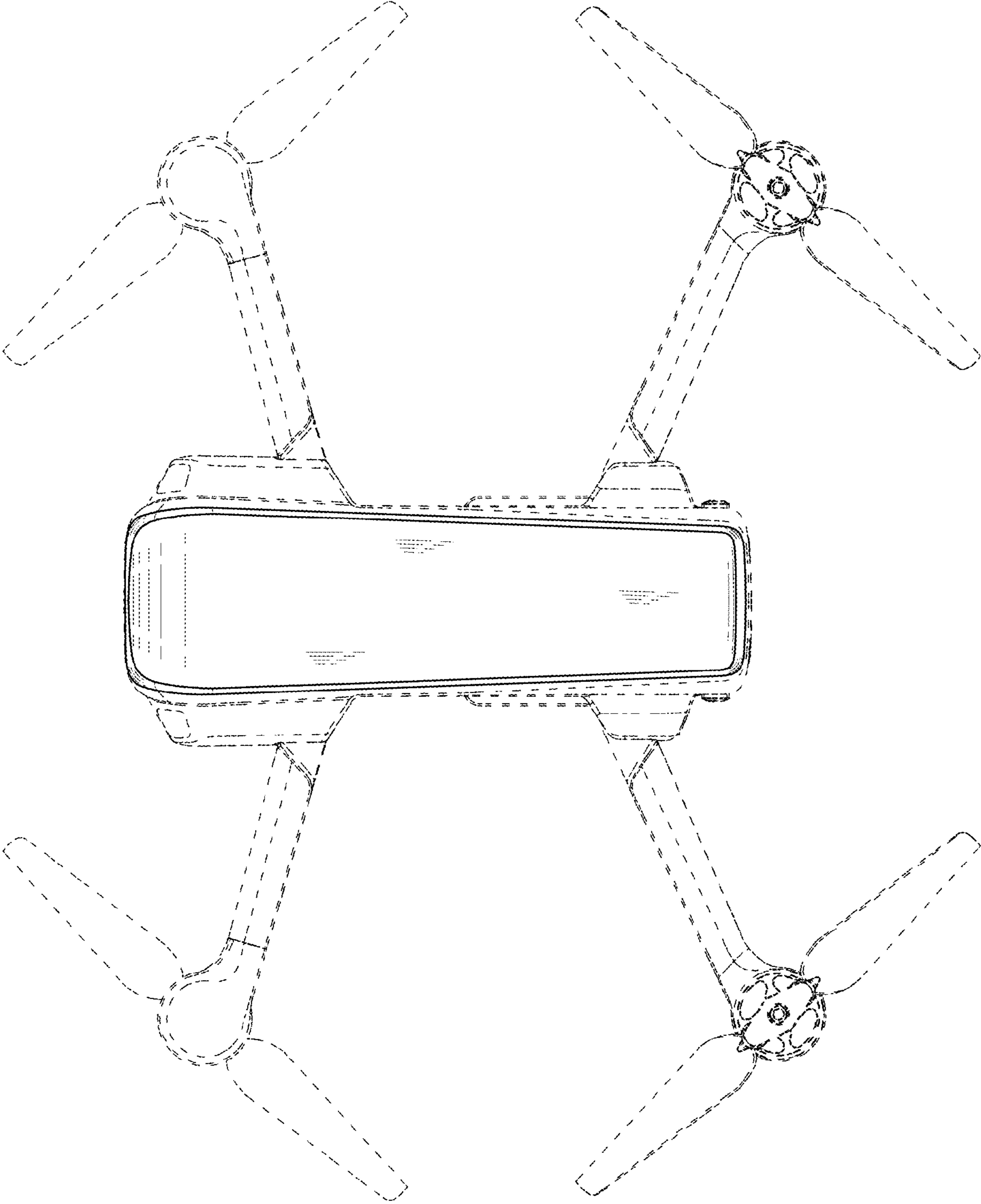


FIG. 6



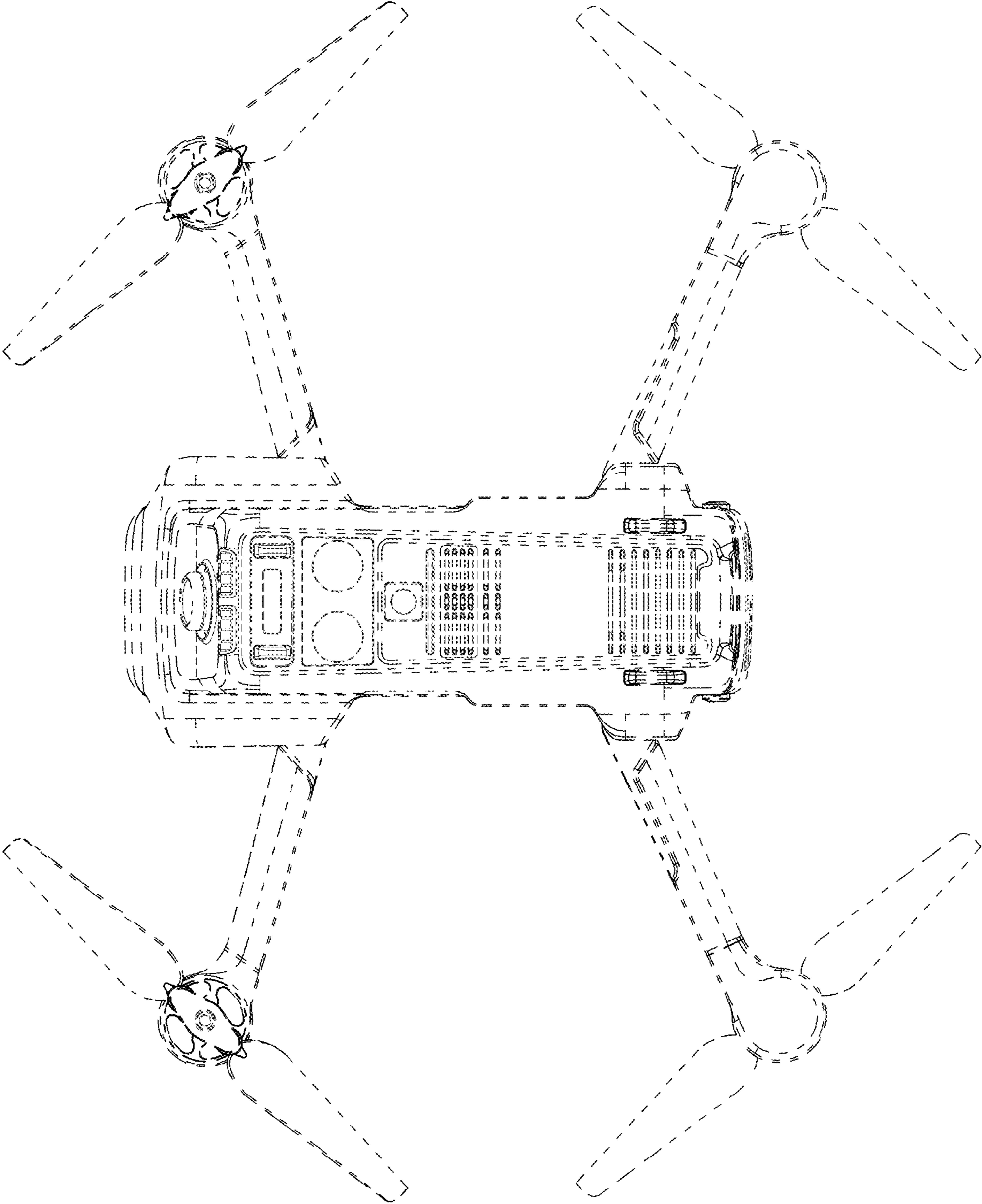


FIG. 7