



US00D883137S

(12) **United States Design Patent** (10) **Patent No.:** **US D883,137 S**
Small (45) **Date of Patent:** **** May 5, 2020**

(54) **WALL-HANGING WINE CORK HOLDER**

(71) Applicant: **Ronald Wesley Small**, Sedro Woolley, WA (US)

(72) Inventor: **Ronald Wesley Small**, Sedro Woolley, WA (US)

(**) Term: **15 Years**

(21) Appl. No.: **29/651,119**

(22) Filed: **Jan. 8, 2018**

(51) **LOC (12) Cl.** **11-02**

(52) **U.S. Cl.**
USPC **D11/133**

(58) **Field of Classification Search**

USPC D11/131, 132, 133, 157, 184; D6/300, D6/303, 310; D9/517, 600, 642, 715, D9/719, 418; D7/619.1, 601, 602, 628, D7/619.2; D3/270, 271.1, 201, 271.8, D3/274; 206/206, 217; 40/725, 798; 428/13; D20/19, 29, 99

See application file for complete search history.

(56) **References Cited**

U.S. PATENT DOCUMENTS

3,397,772	A *	8/1968	Farquhar	B65D 5/5009
					206/783
3,482,678	A *	12/1969	Mason	B65D 5/5011
					206/779
D246,437	S *	11/1977	Grodin	D9/739
D587,018	S *	2/2009	Seckinger	D6/302
D602,262	S *	10/2009	Seckinger	D6/302
D640,475	S *	6/2011	Seckinger	D6/302
D773,906	S *	12/2016	Assaad	D7/703
2010/0270199	A1 *	10/2010	Nazari	B65D 5/5038
					206/488
2017/0224863	A1 *	8/2017	DuBow	A61L 9/12

OTHER PUBLICATIONS

Pair of "Hello Kitty" Limited Edition Wine Bottles in Custom Designed Shadowbox Frames by Karen's Detail Custom Frames, available Mar. 5, 2019, [online], [site visited Nov. 25, 2019]. Available from internet, URL: <https://www.pinterest.com/pin/10393P4703884434308> (Year: 2019).*

Large Wines of the World Shadow Box, available Nov. 25, 2019, [online], [site visited Nov. 25, 2019]. Available from internet, URL: <https://offerup.com/item/detail/145789680/> (Year: 2019).*

Space Art Deco 6x14 Black Wine Cork Shadow Box, available Jun. 16, 2019, [online], [site visited Nov. 25, 2019]. Available from internet, URL: <https://www.amazon.com/Space-Art-Deco-Black-Shadow/dp/B07KRP5GV5> (Year: 2019).*

Wine Cork Holder | Wood Shadow Box, available Dec. 30, 2017, [online], [site visited Nov. 25, 2019]. Available from internet, URL: https://www.etsy.com/listing/561795614/wine-cork-holder-wood-shadow-box-unique?ref=shop_review (Year: 2017).*

* cited by examiner

Primary Examiner — W. A. Teddy Falloway

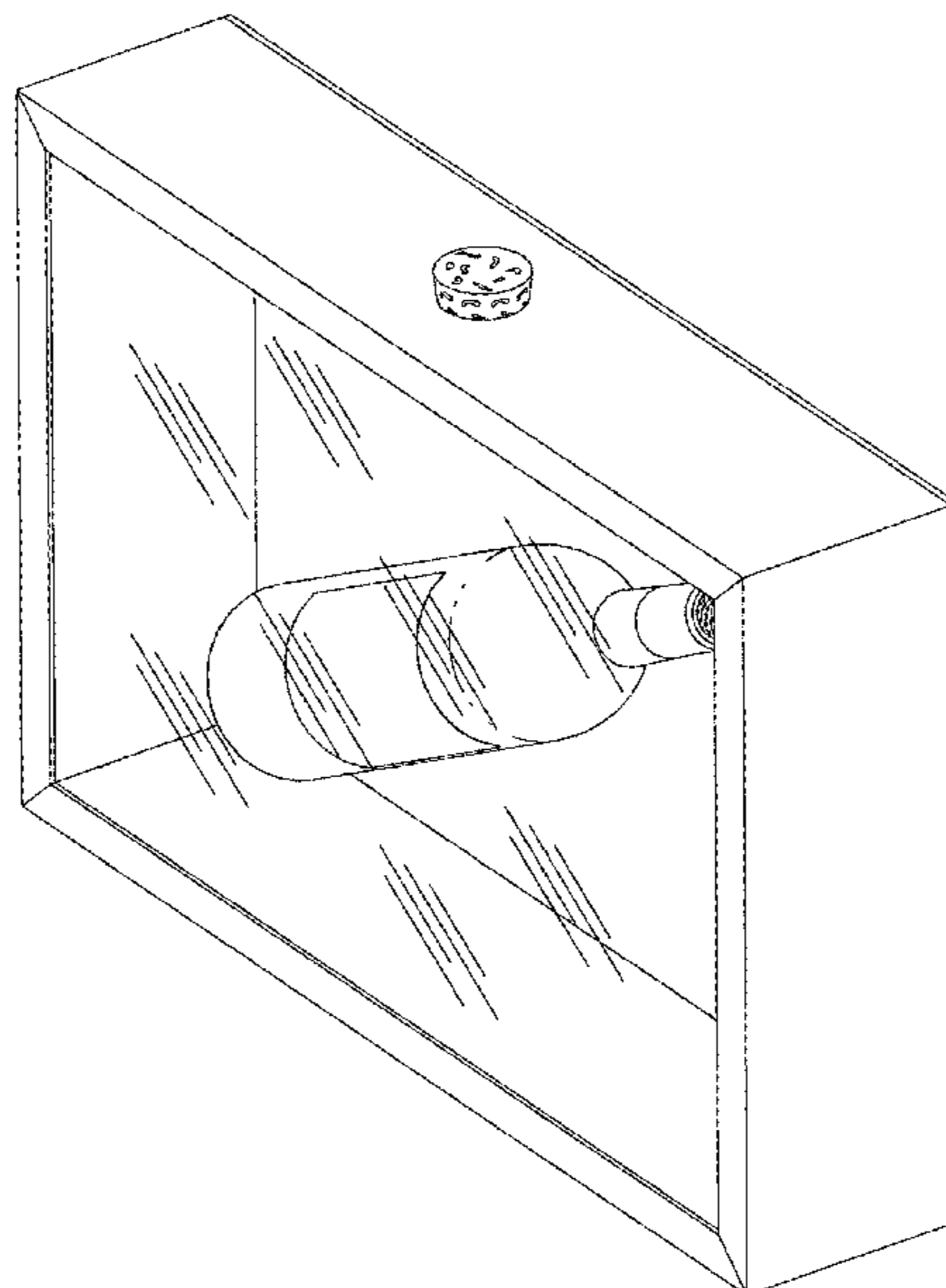
(57) **CLAIM**

I claim the ornamental design for a wall-hanging wine cork holder, as shown and described.

DESCRIPTION

FIG. 1 is a front perspective view of a wall-hanging wine cork holder showing my new design.
FIG. 2 is a front elevation view thereof.
FIG. 3 is a front elevation view of the wall-hanging wine cork holder of FIG. 1, but shown in an alternative configuration.
FIG. 4 is a left side view.
FIG. 5 is a right side elevation view thereof.
FIG. 6 is a back elevation view thereof.
FIG. 7 is a top view thereof; and,
FIG. 8 is a bottom view thereof.

1 Claim, 6 Drawing Sheets



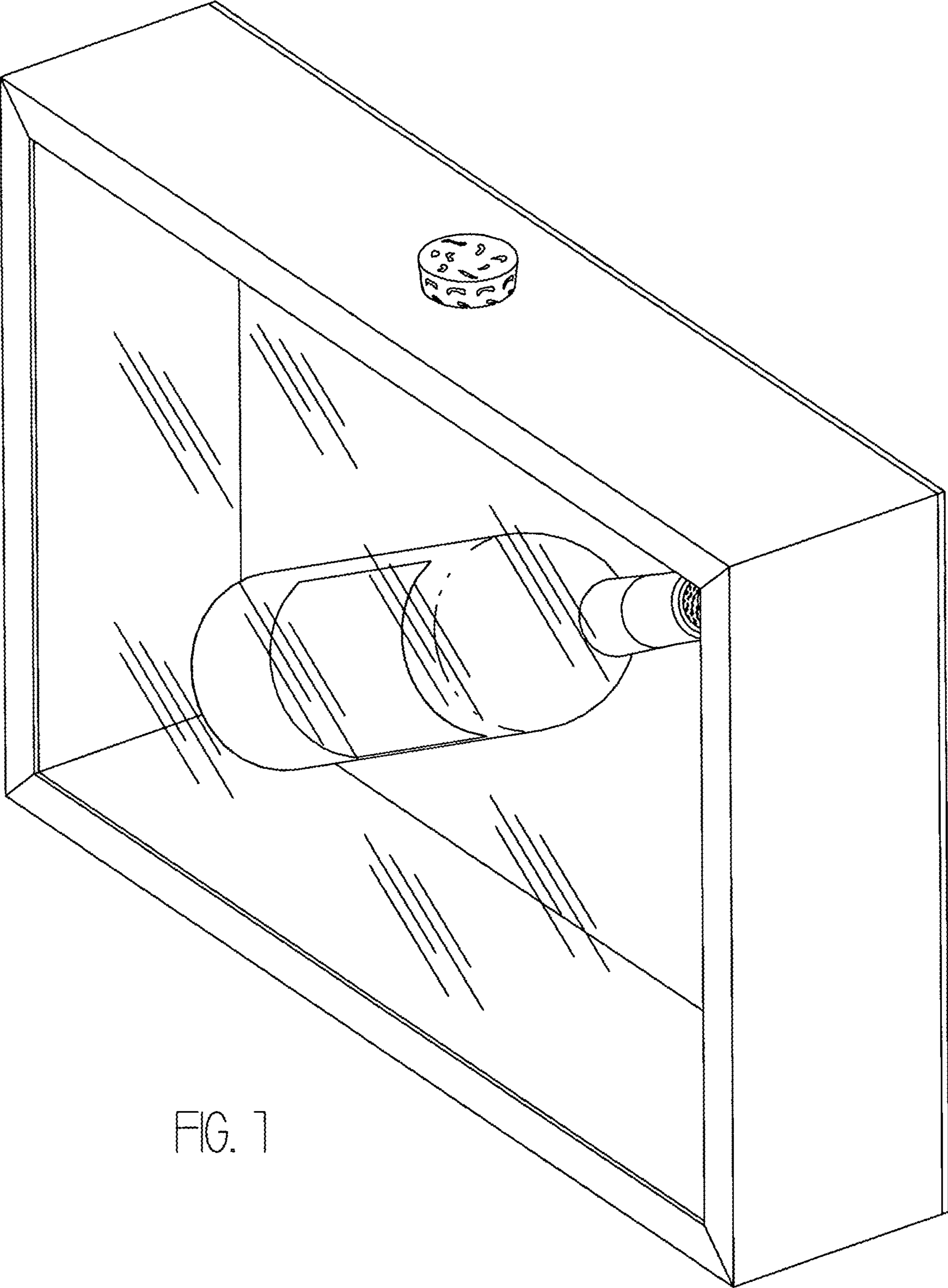


FIG. 1

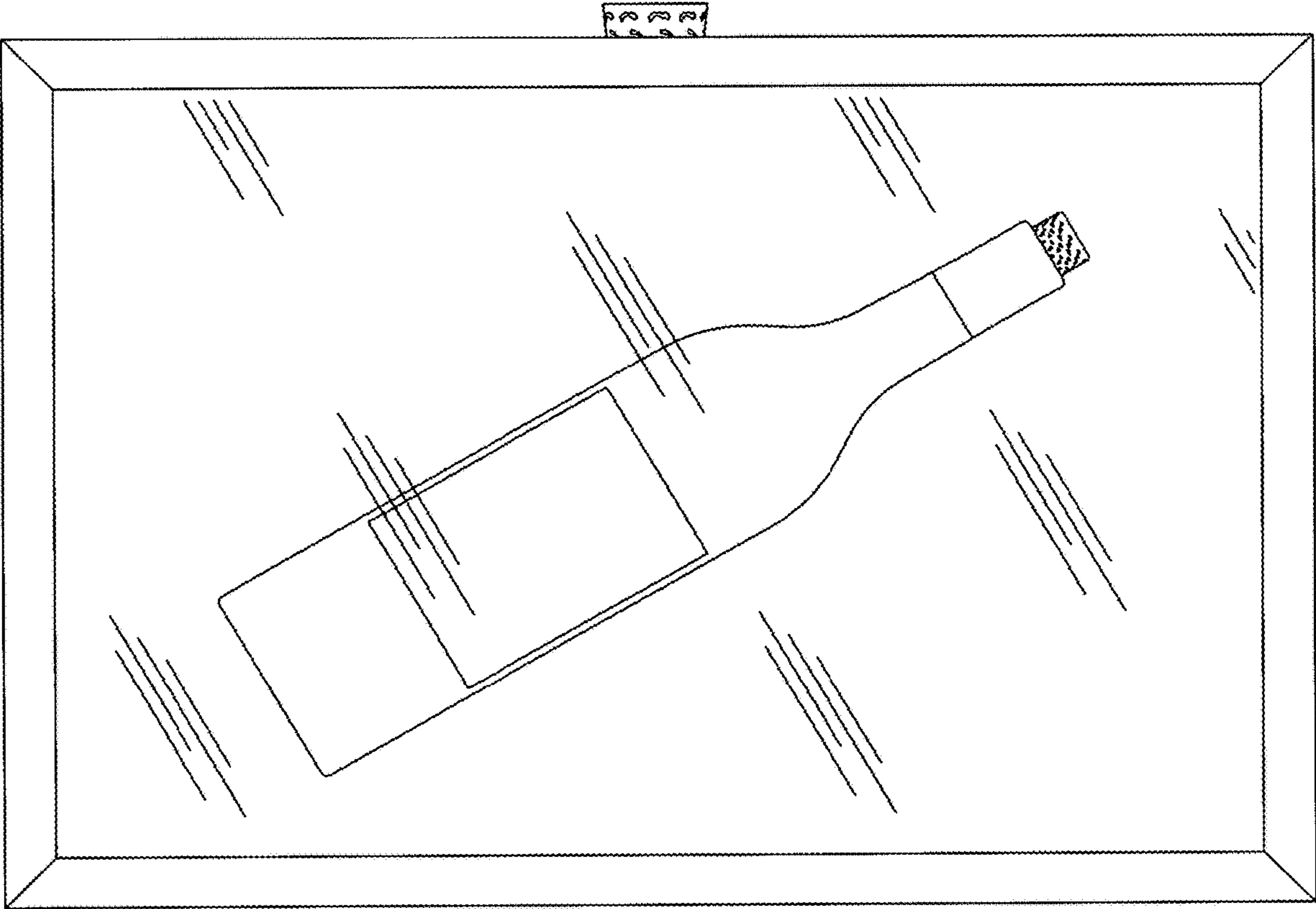


FIG. 2

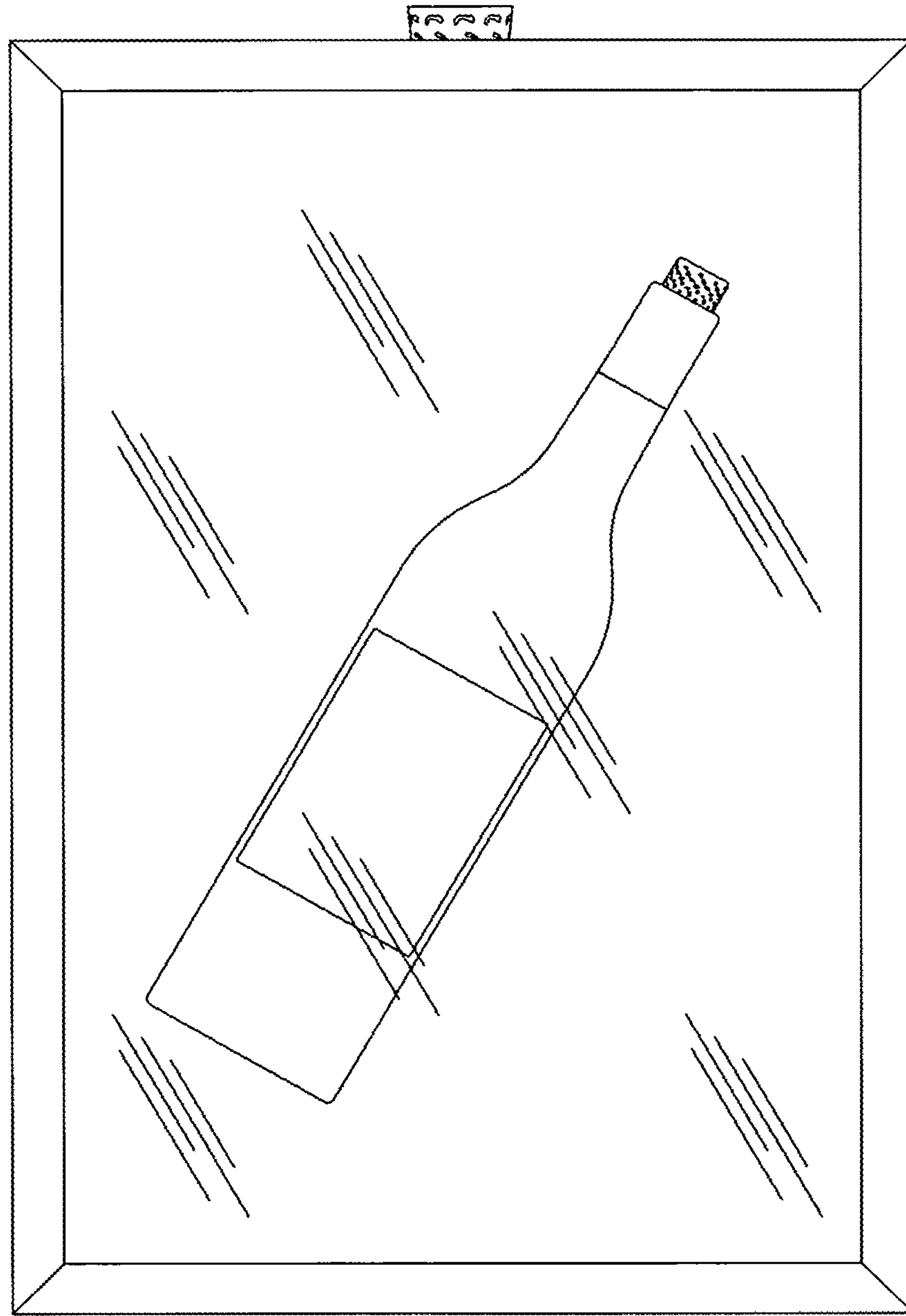


FIG. 3

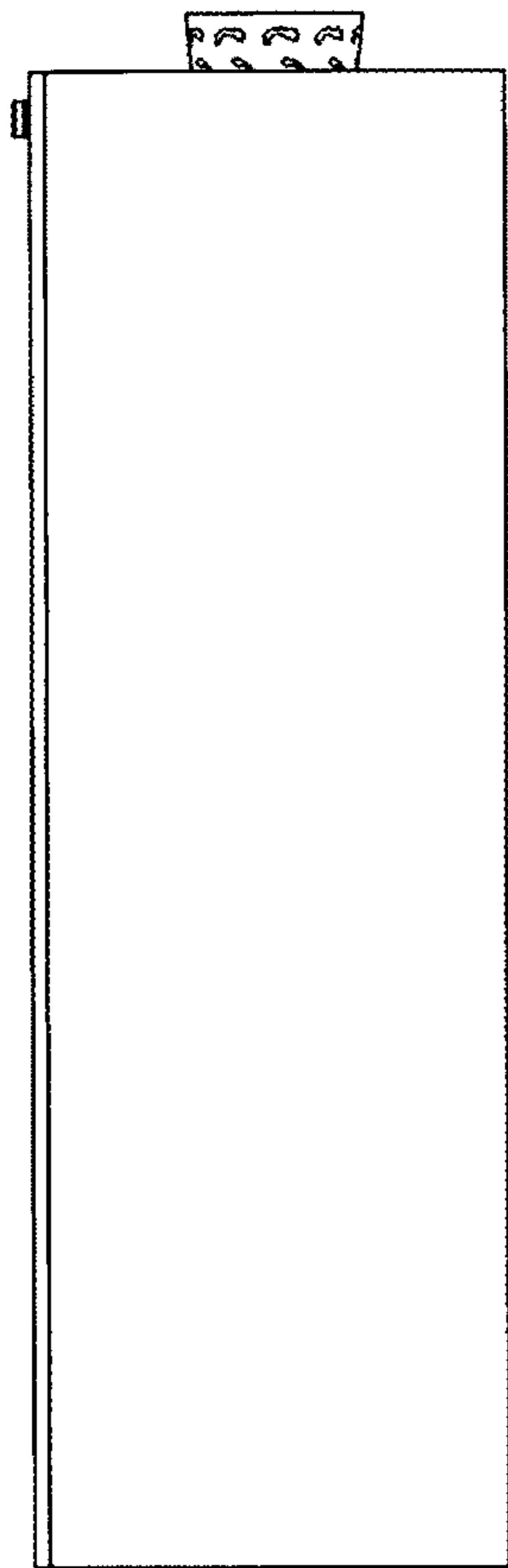


FIG. 4

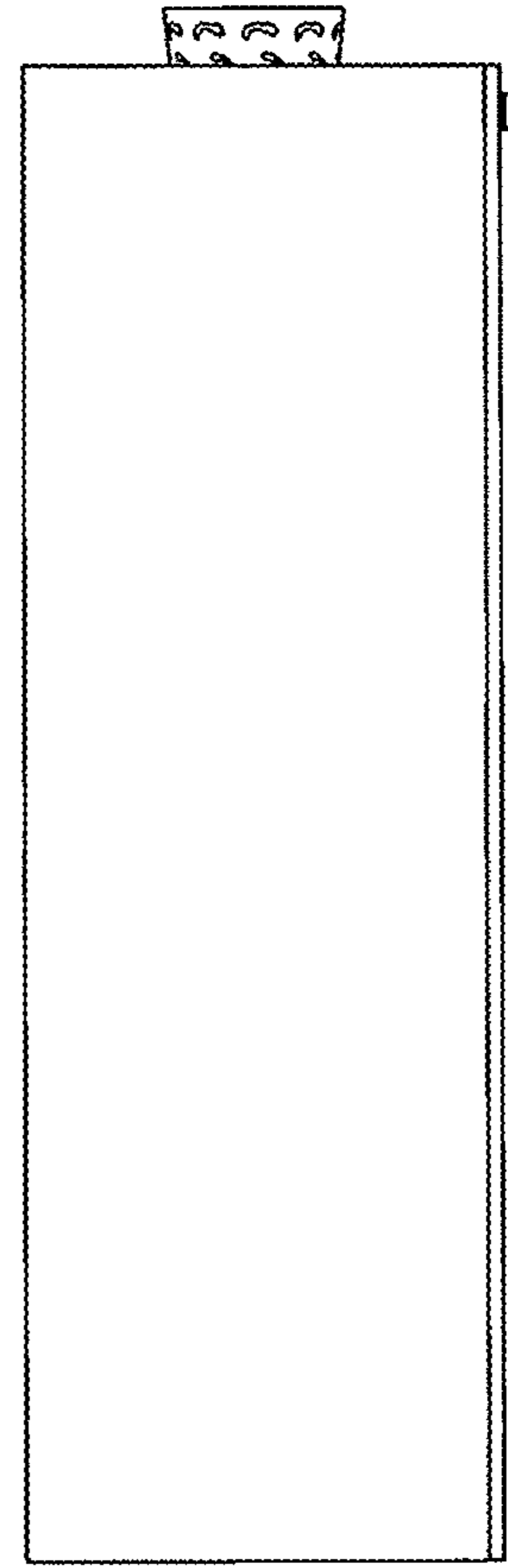


FIG. 5

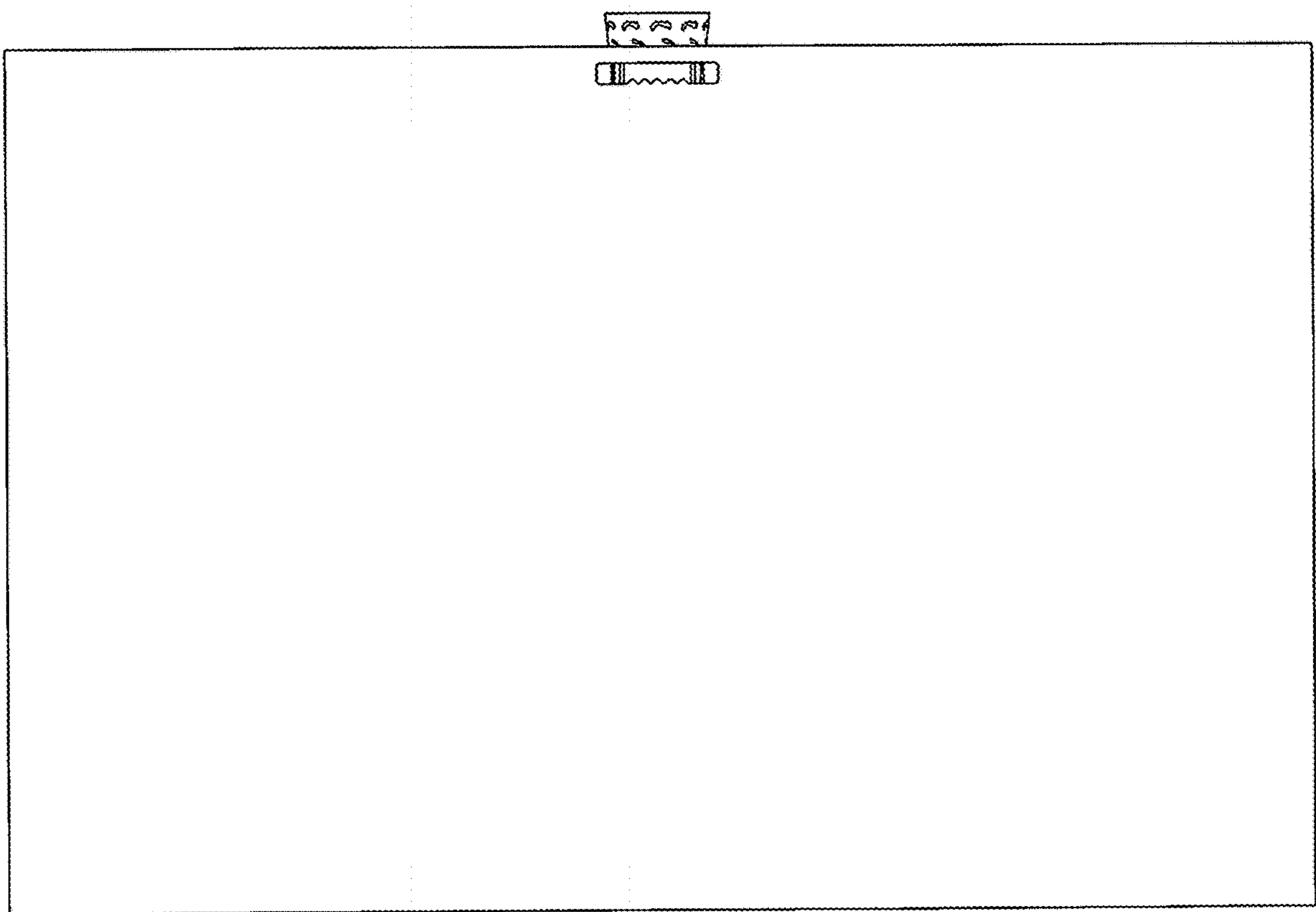


FIG. 6

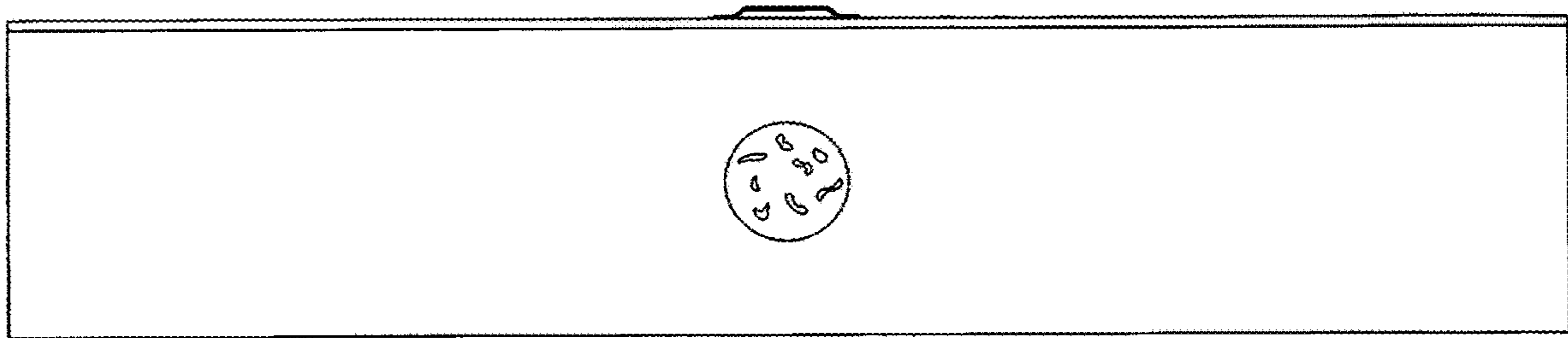


FIG. 7



FIG. 8