



US00D883136S

(12) **United States Design Patent**
Schrank

(10) **Patent No.:** **US D883,136 S**

(45) **Date of Patent:** **** May 5, 2020**

(54) **ORNAMENT**

(71) Applicant: **Marc Cain GMBH**, Bodelshausen (DE)

(72) Inventor: **Karin Schrank**, Bodelshausen (DE)

(73) Assignee: **MARC CAIN GMBH**, Bodelshausen (DE)

(**) Term: **15 Years**

(21) Appl. No.: **29/640,192**

(22) Filed: **Mar. 12, 2018**

(30) **Foreign Application Priority Data**

Sep. 12, 2017 (DE) 40 2017 203 019

(51) **LOC (12) Cl.** **11-05**

(52) **U.S. Cl.**
USPC **D11/127**

(58) **Field of Classification Search**

USPC D11/204, 205, 223, 224, 232, 238, 239,
D11/52, 81, 82, 99, 100, 117, 121, 125,
D11/127, 131, 132, 133, 134, 157, 158,
D11/172, 173; D21/617, 618; D9/611

CPC A47G 33/00; A47G 33/08; A47G 33/0809;
A47G 2033/0827; A44C 25/001; A44C
25/007; A44C 1/00; A44C 3/00; A44C
3/001; A44C 3/004; B44C 5/00; B44C
5/02; A63H 3/00; A63H 3/02

See application file for complete search history.

(56) **References Cited**

U.S. PATENT DOCUMENTS

D66,392 S * 1/1925 Munro D11/158
D199,417 S * 10/1964 Katz D9/611

3,442,267 A * 5/1969 Krygier A61F 5/50
128/879
D327,303 S * 6/1992 Rasmussen D21/617
D329,882 S * 9/1992 Rasmussen D21/617
D329,883 S * 9/1992 Rasmussen D21/617
D373,744 S * 9/1996 Wotton D11/121
D380,147 S * 6/1997 Kong D21/618
D458,759 S * 6/2002 Landauer D21/659
D468,463 S * 1/2003 Macklin D11/127
D511,463 S * 11/2005 Wolters D9/611
D512,645 S * 12/2005 Wolters D9/611
D789,211 S * 6/2017 Ohana D9/611
D798,151 S * 9/2017 Vivas D9/451
D799,331 S * 10/2017 Delgado Carmona D9/611
D824,461 S * 7/2018 Chinn D21/617

* cited by examiner

Primary Examiner — Elizabeth J Oswecki

(74) *Attorney, Agent, or Firm* — Umberg Zipser LLP

(57) **CLAIM**

The ornamental design for an ornament, as shown and described.

DESCRIPTION

FIG. 1 is a top, front, perspective view of an ornament showing my new design.

FIG. 2 is a top view thereof.

FIG. 3 is a rear view thereof.

FIG. 4 is a left side view thereof.

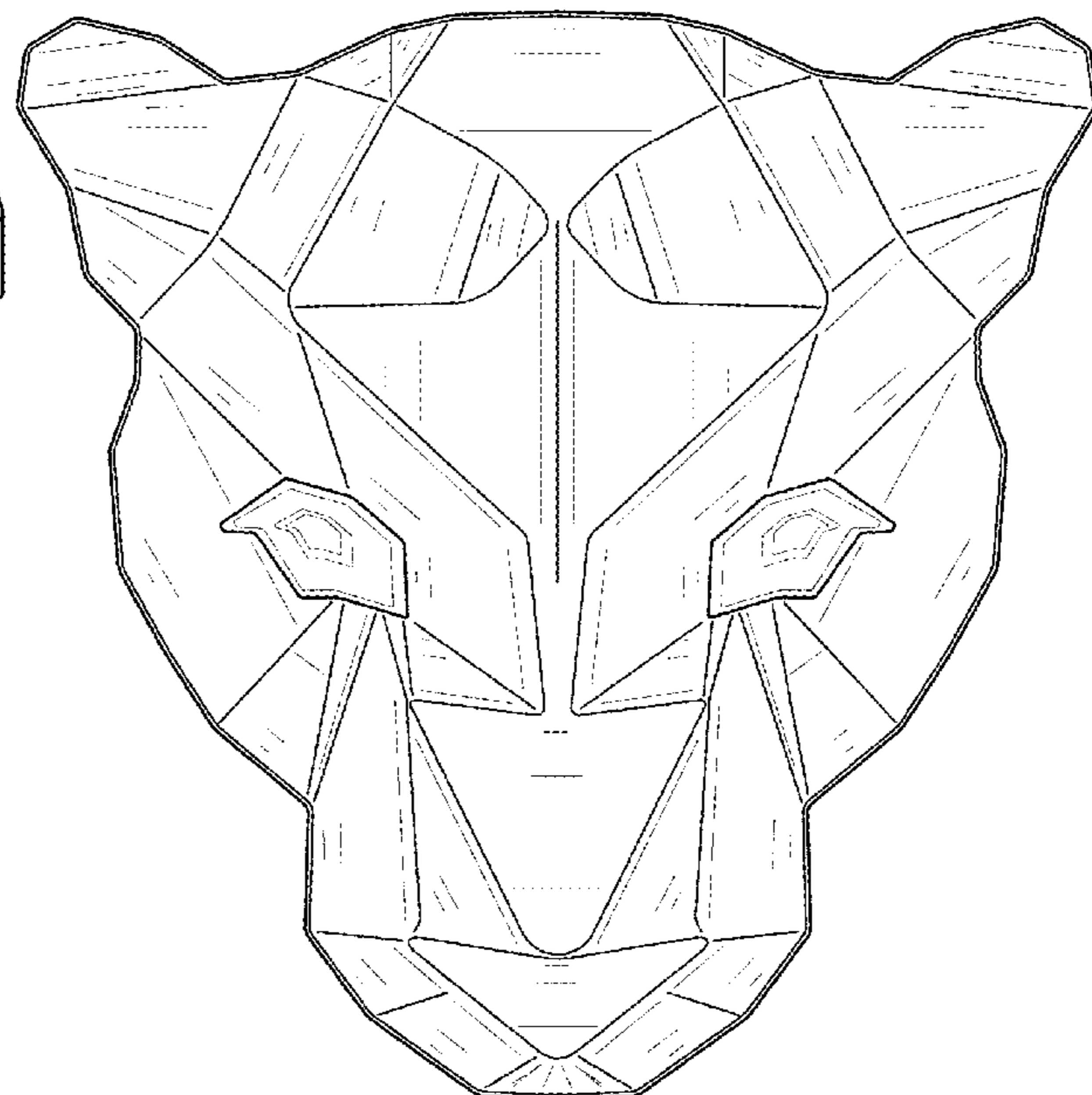
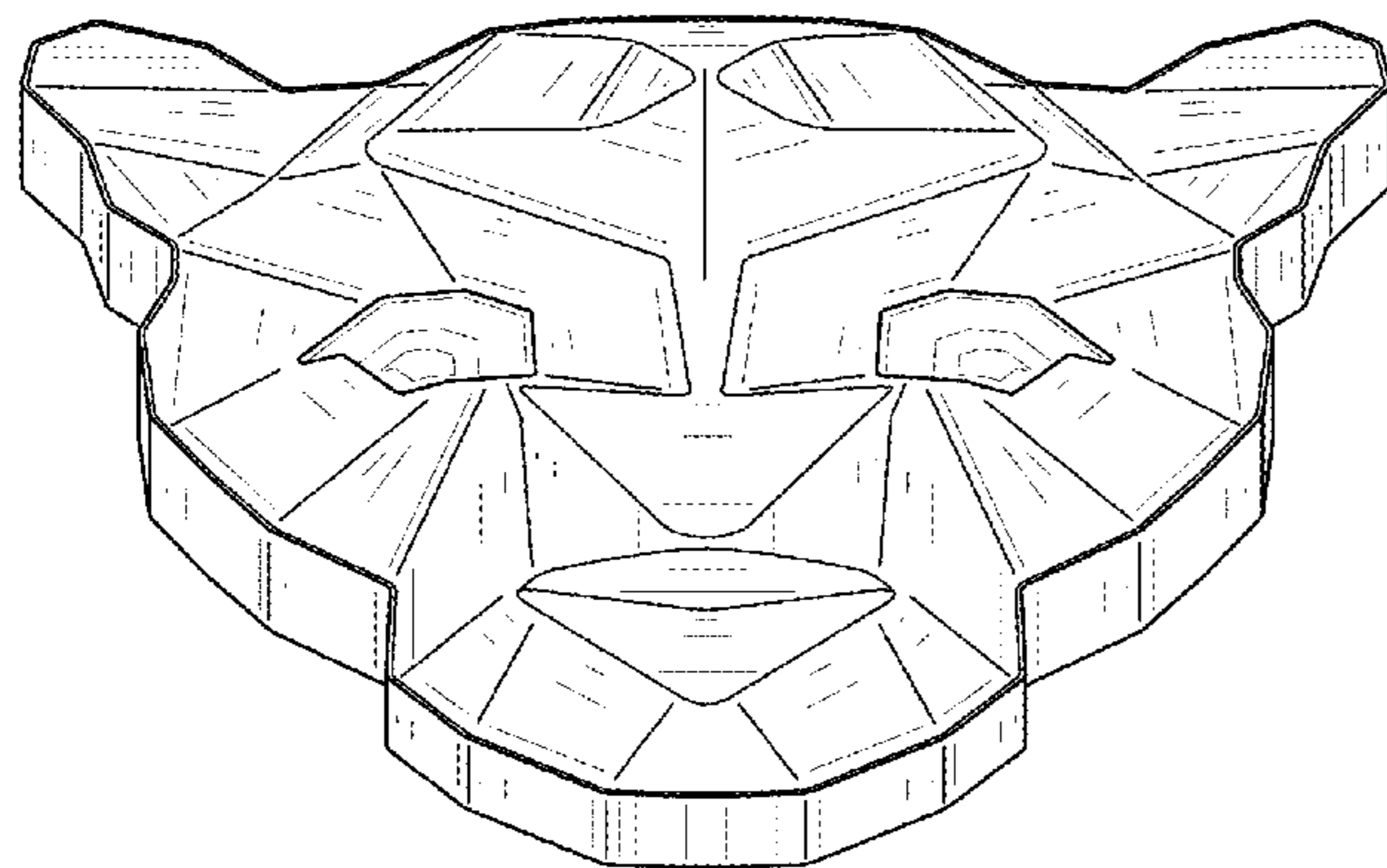
FIG. 5 is a right side view thereof.

FIG. 6 is a top view thereof; and,

FIG. 7 is a bottom view thereof.

The broken line showing of features of the ornament forms no part of the claimed design.

1 Claim, 7 Drawing Sheets



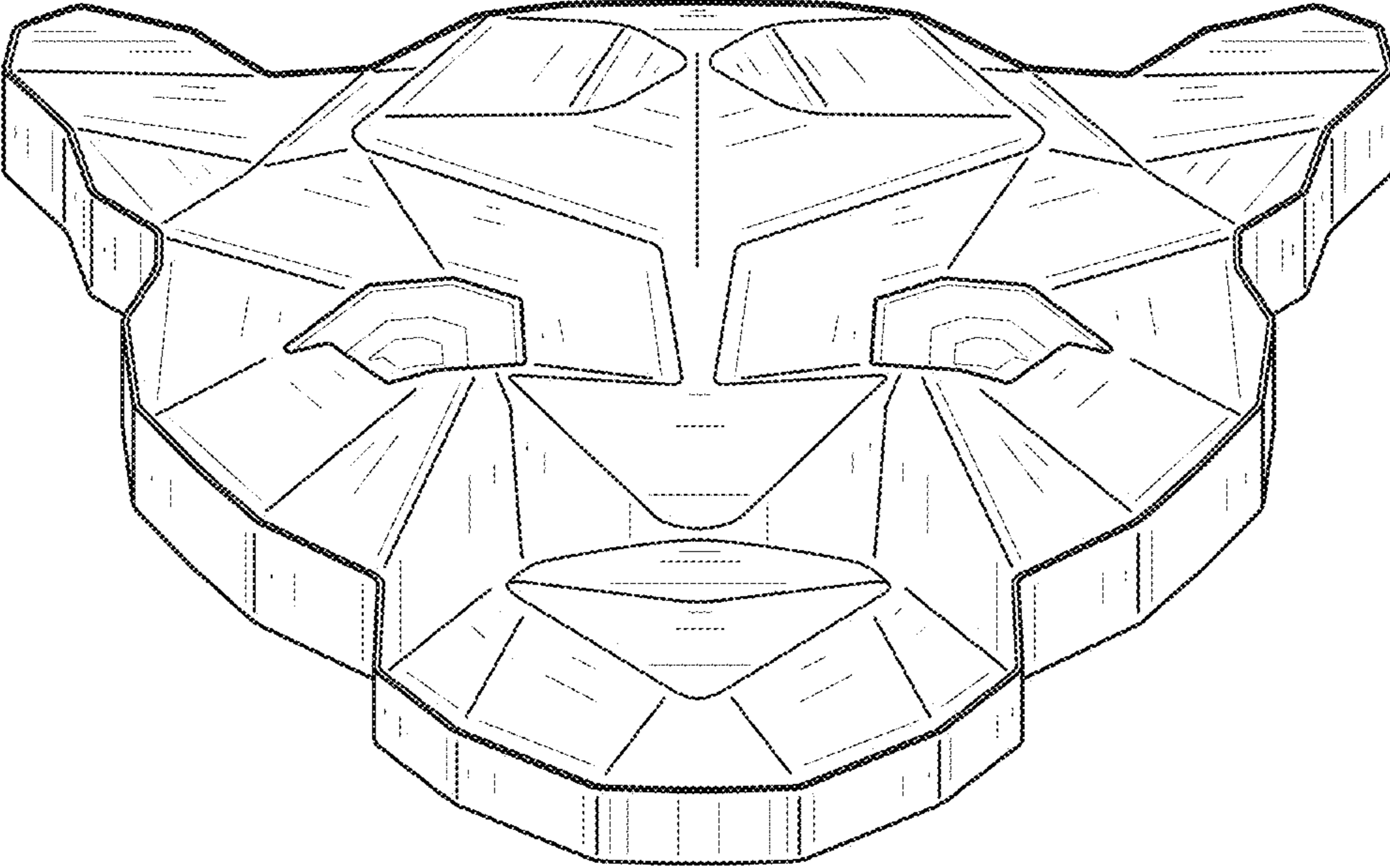


FIG. 1

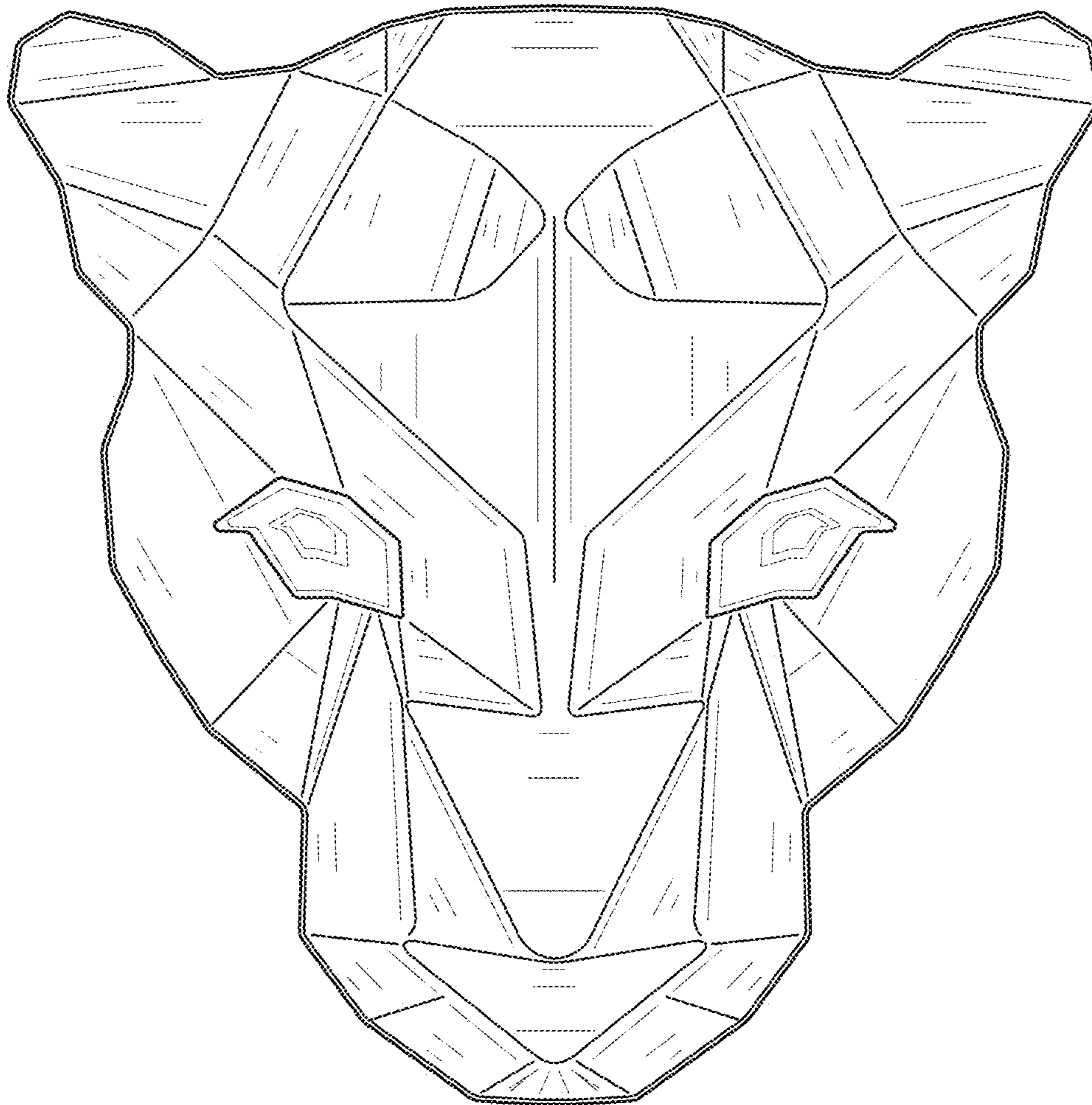


FIG. 2

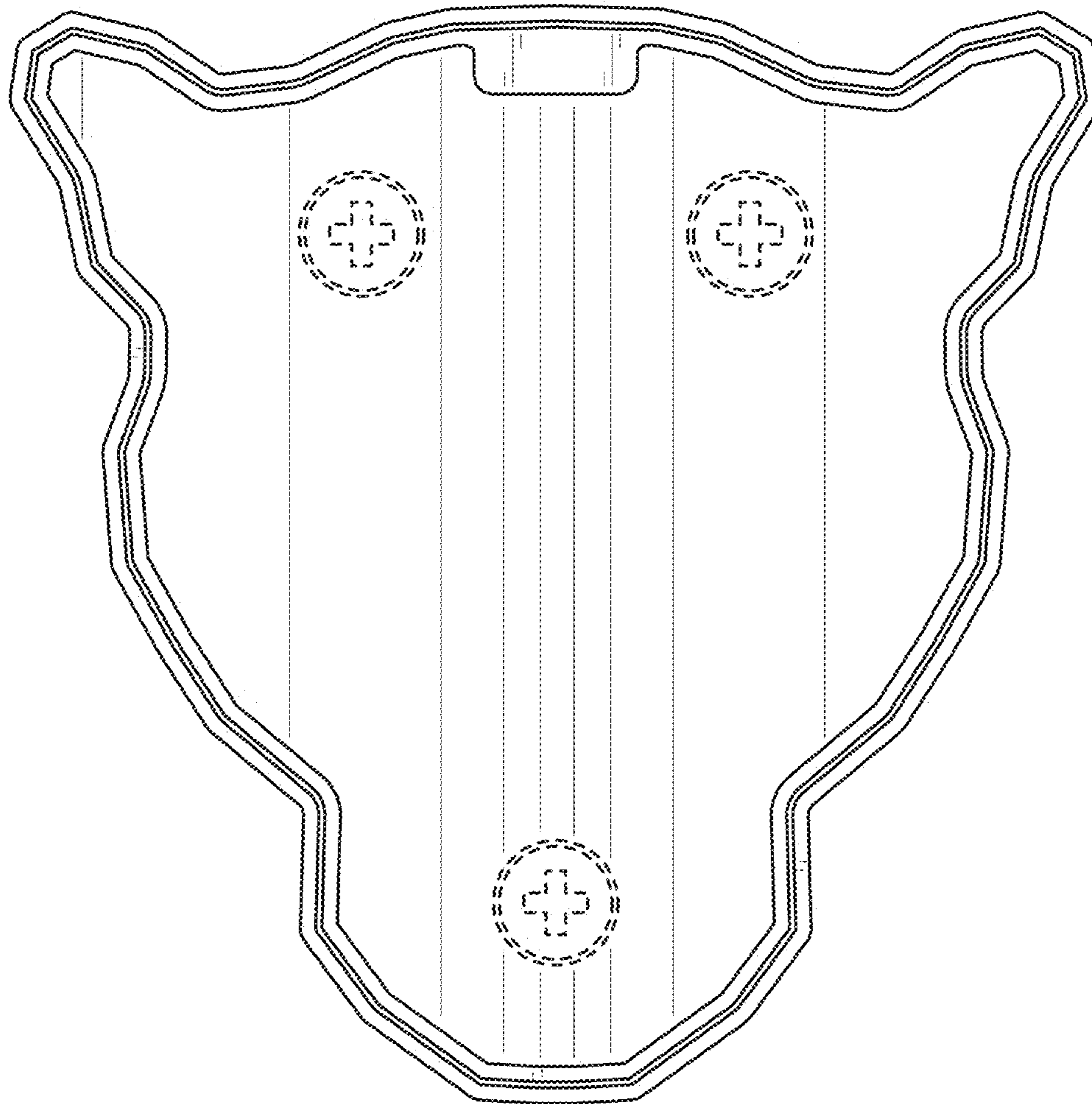


FIG. 3

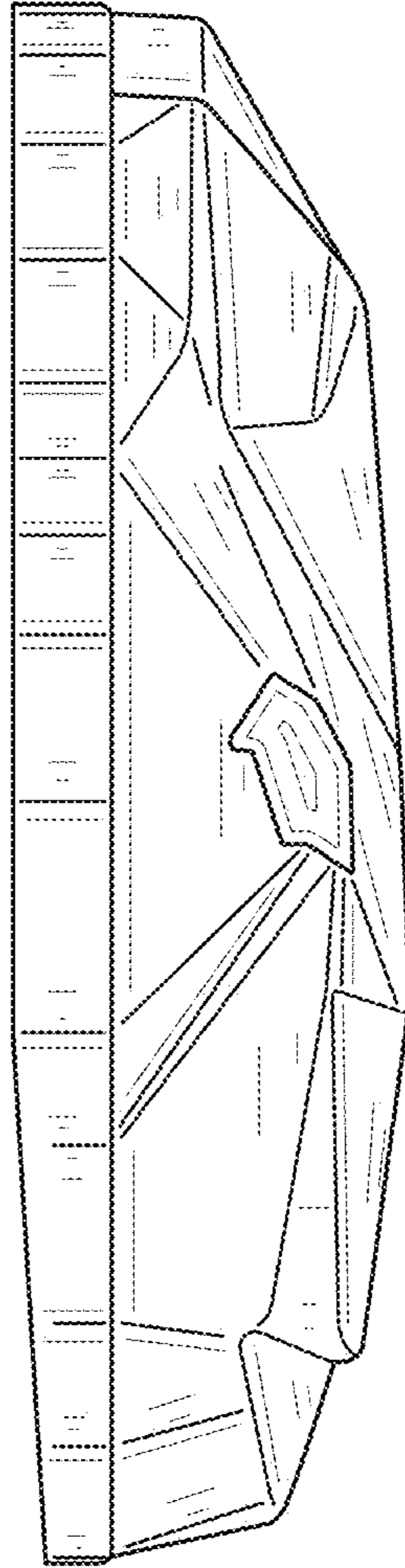


FIG. 4

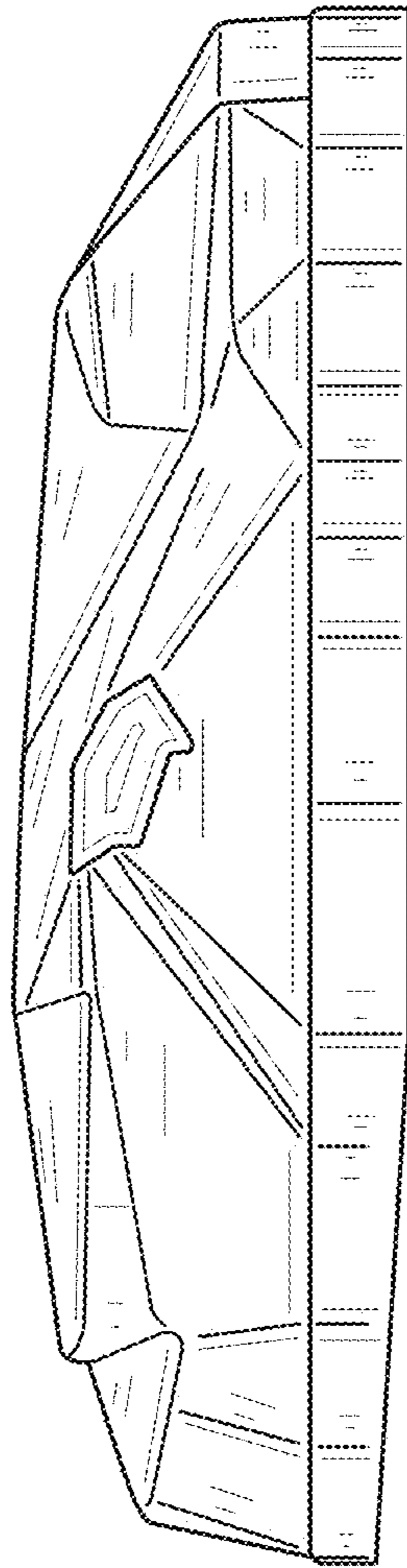


FIG. 5

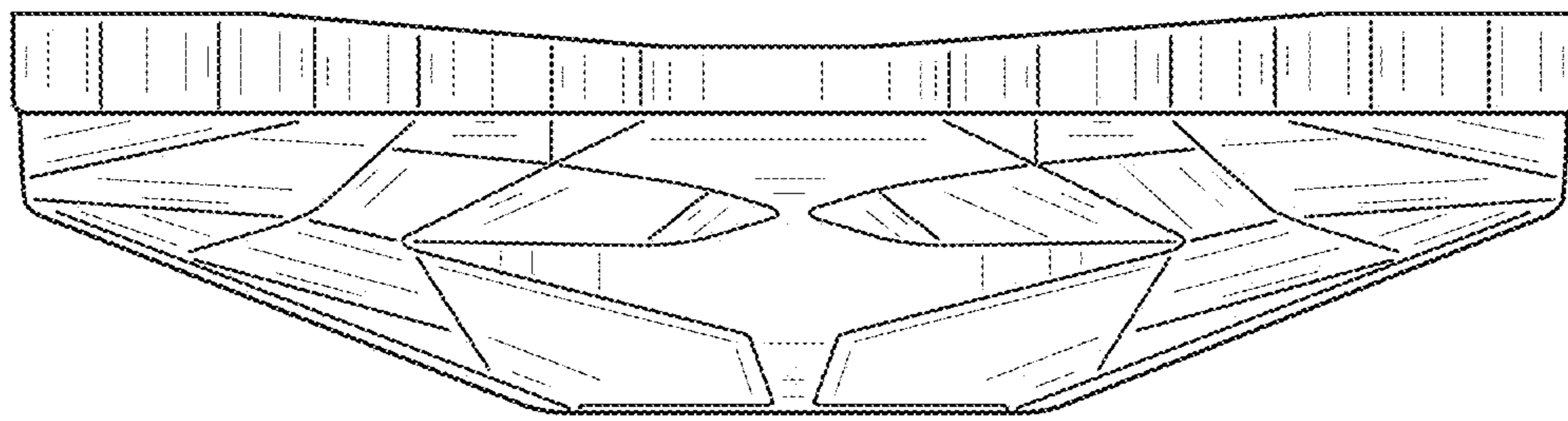


FIG. 6

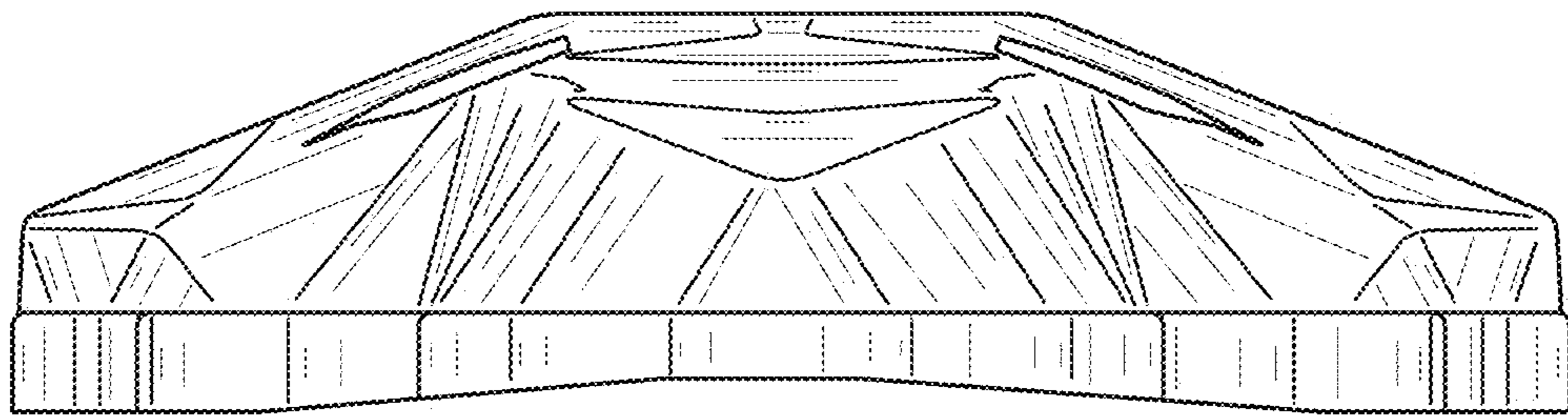


FIG. 7