



US00D883130S

(12) **United States Design Patent**
Gurung

(10) **Patent No.:** **US D883,130 S**

(45) **Date of Patent:** **** May 5, 2020**

(54) **EARRING**

(71) Applicant: **Tasaki & Co., Ltd.**, Kobe (JP)

(72) Inventor: **Prabal Gurung**, New York, NY (US)

(73) Assignee: **Tasaki & Co., Ltd.**, Kobe (JP)

(**) Term: **15 Years**

(21) Appl. No.: **29/650,021**

(22) Filed: **Jun. 4, 2018**

(51) **LOC (12) Cl.** **11-02**

(52) **U.S. Cl.**
USPC **D11/40**

(58) **Field of Classification Search**
USPC D11/1, 2, 3, 7, 8, 40, 41, 42, 43, 44, 45,
D11/48, 63, 67, 79, 81, 84, 78, 26, 27, 34
CPC .. A44C 1/00; A44C 3/008; A44C 3/00; A44C
3/001; A44C 3/004; A44C 7/00; A44C
7/002; A44C 7/003; A44C 7/004; A44C
7/005; A44C 7/006; A44C 7/007; A44C
7/008; A44C 7/009; A44C 13/00; A44C
15/001; A44C 15/0005; A44C 15/0025;
A44C 15/0045; A44C 25/001; A44C
25/004; A44C 25/005; A44C 25/007;
A44C 25/008; A44C 25/00; A44C 25/002
See application file for complete search history.

(56) **References Cited**

U.S. PATENT DOCUMENTS

D45,163 S * 1/1914 Sweet D11/4
D130,629 S * 12/1941 Heyman D11/78
D156,084 S * 11/1949 Fleuridas D11/78
D159,969 S * 9/1950 Fleuridas D11/45
D159,970 S * 9/1950 Fleuridas D11/45
4,282,721 A * 8/1981 Roach A44C 7/00
63/14.1
D354,016 S * 1/1995 Schubert D11/42

D524,183 S * 7/2006 Boucard D11/3
D825,378 S * 8/2018 Ellingson D11/200
D851,532 S * 6/2019 Yamada D11/40

FOREIGN PATENT DOCUMENTS

JP D162380 * 2/2019

OTHER PUBLICATIONS

Aurora Ear Clip, no date available, [online], [site visited Jul. 31, 2019]. Retrieved from url:https://www.tasaki-global.com/jewellery/atelier/surrealism/aurora/E-4108-18KWG/?jewellery=earrings (Year: 2019).*

* cited by examiner

Primary Examiner — Jeffrey D Asch

Assistant Examiner — Tracey J Bell

(74) *Attorney, Agent, or Firm* — Fitch, Even, Tabin & Flannery LLP

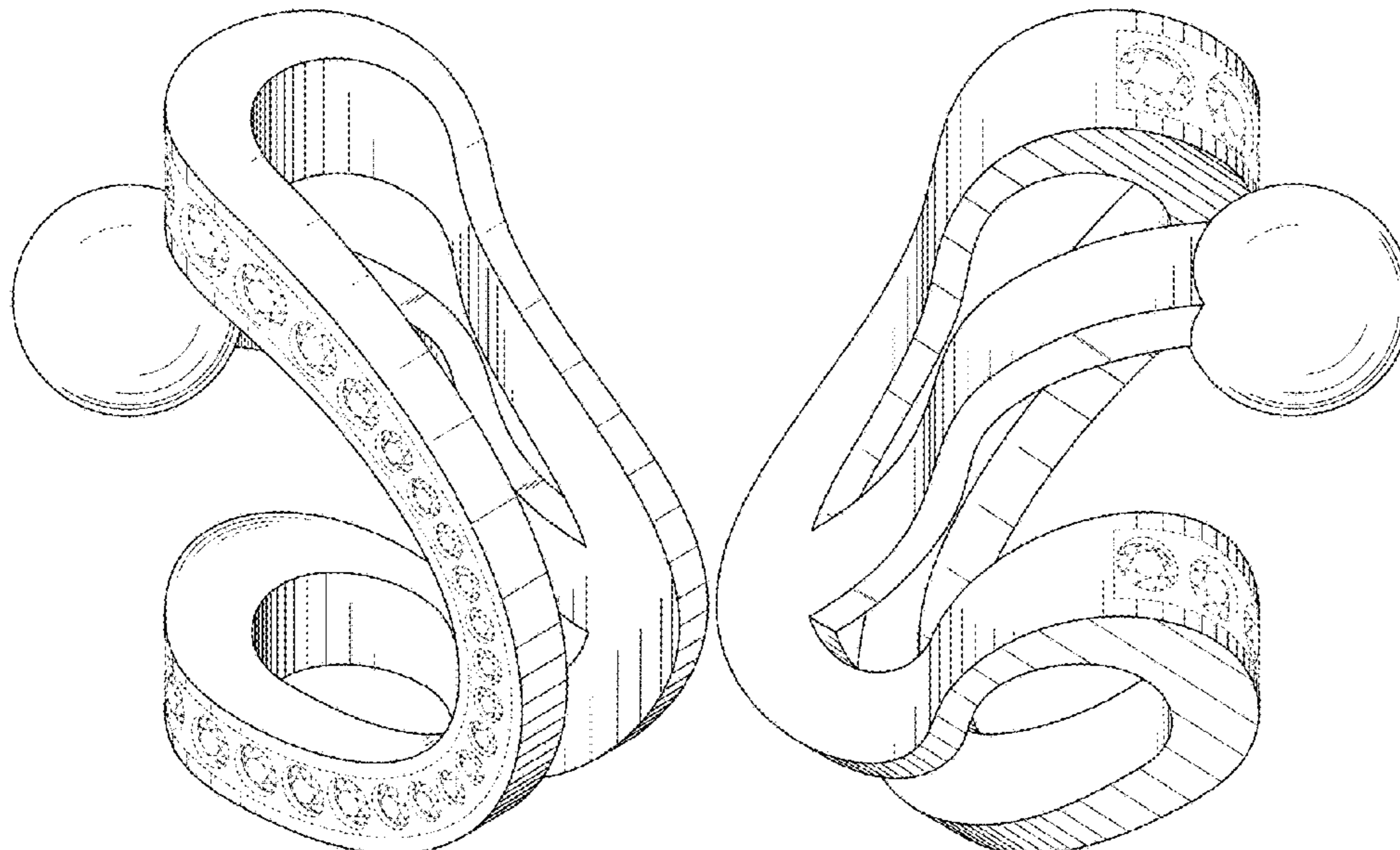
(57) **CLAIM**

I claim the ornamental design for an earring, as shown and described.

DESCRIPTION

FIG. 1 is a front, top, and right side perspective view of an earring, showing my new design;
FIG. 2 is a rear, bottom, and left side perspective view thereof;
FIG. 3 is a front elevational view thereof;
FIG. 4 is a rear elevational view thereof;
FIG. 5 is a top plan view thereof;
FIG. 6 is a bottom plan view thereof;
FIG. 7 is a right side elevational view thereof; and,
FIG. 8 is a left side elevational view thereof.
The dot-dashed lines denote the boundary of the claim, and form no part of the claimed design.

1 Claim, 8 Drawing Sheets



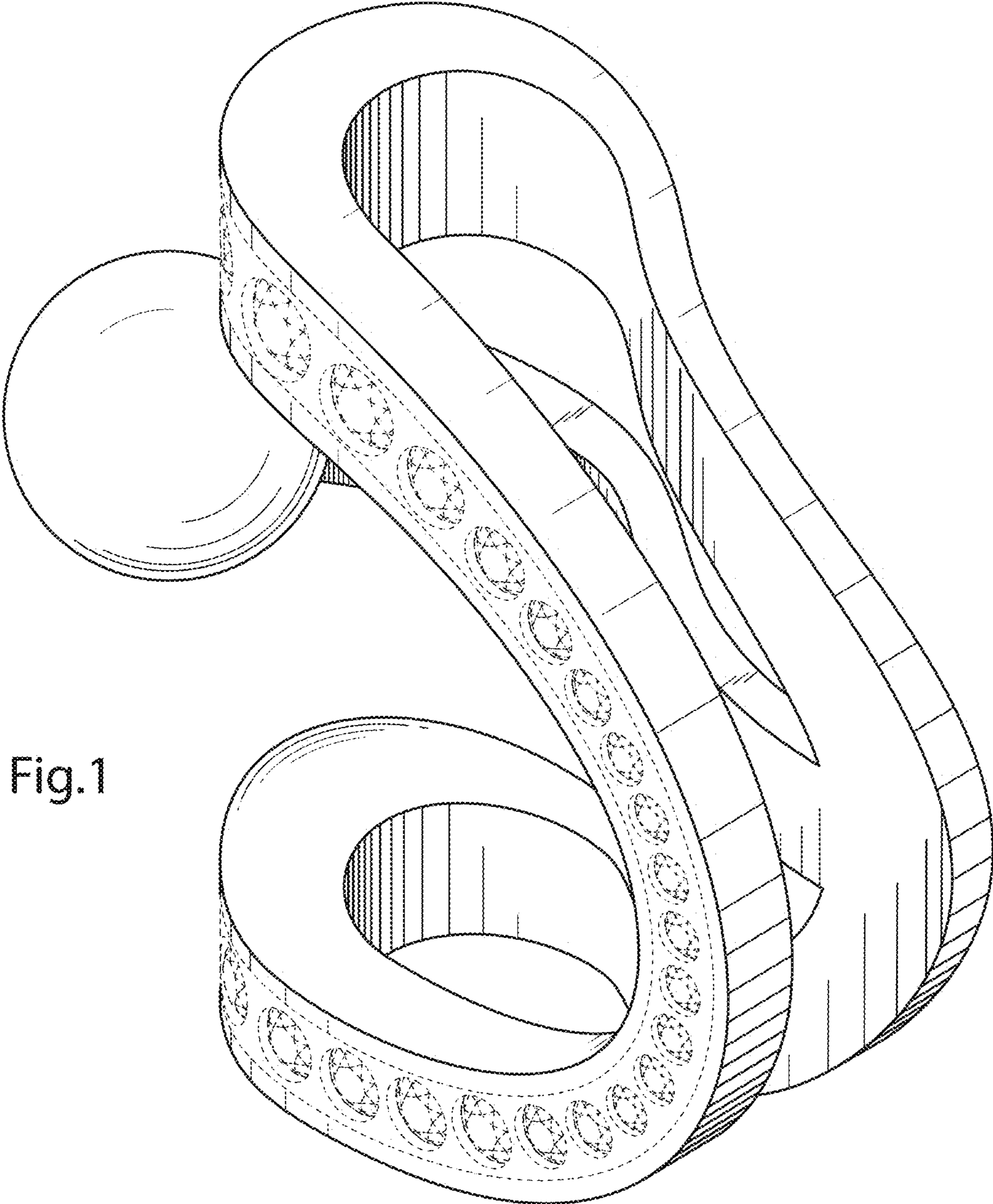


Fig.1

Fig.2

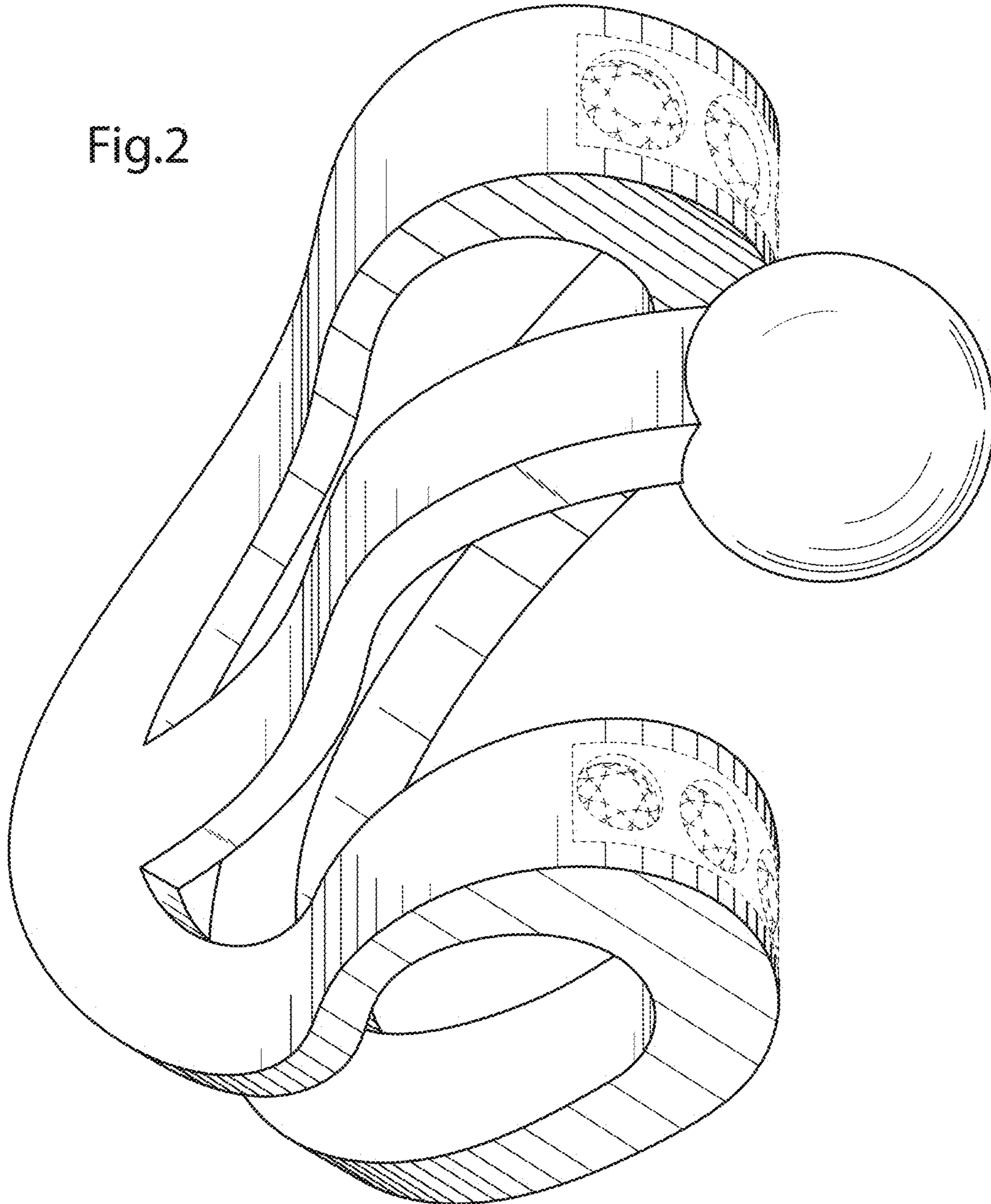


Fig.3

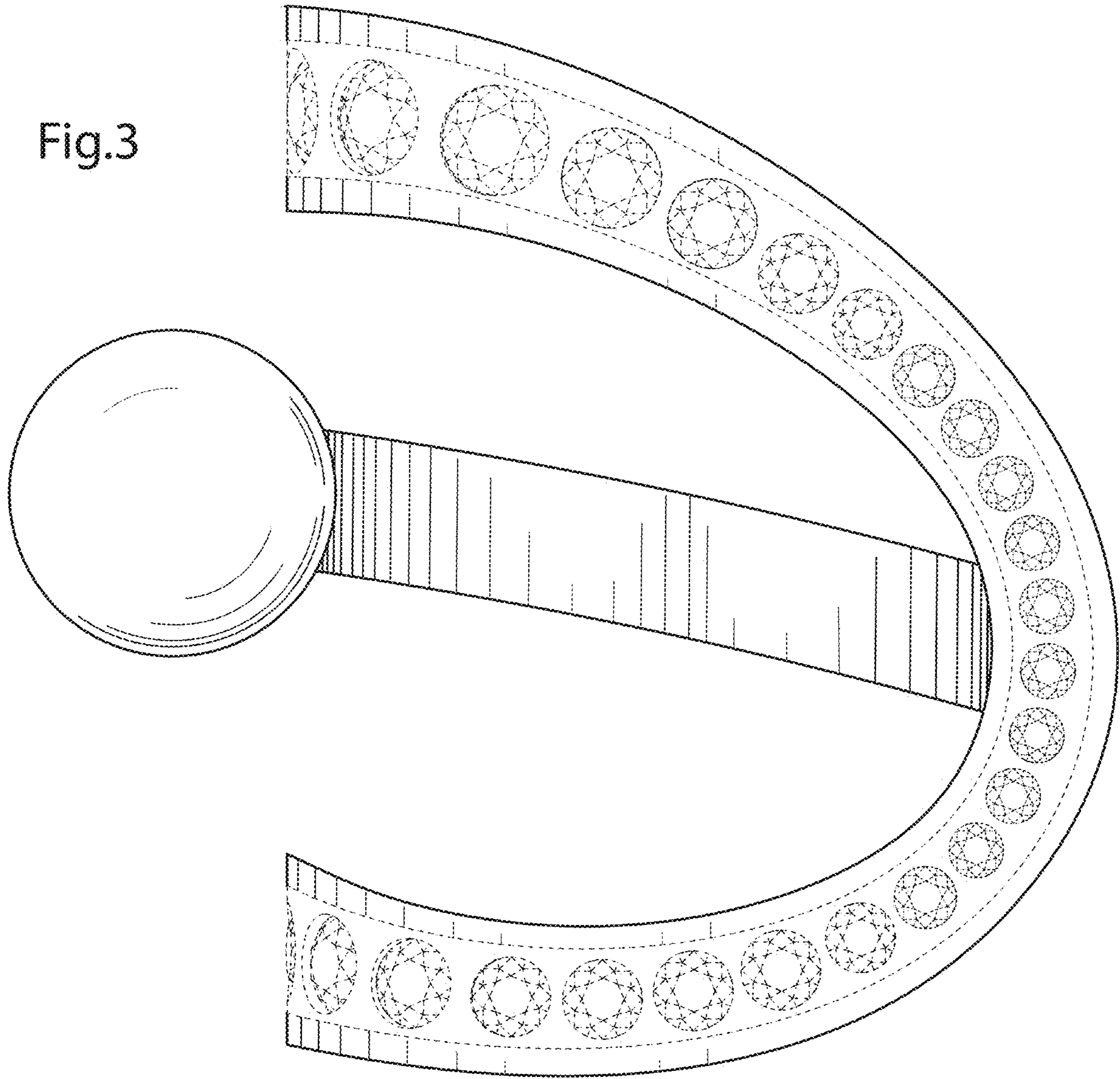


Fig.4

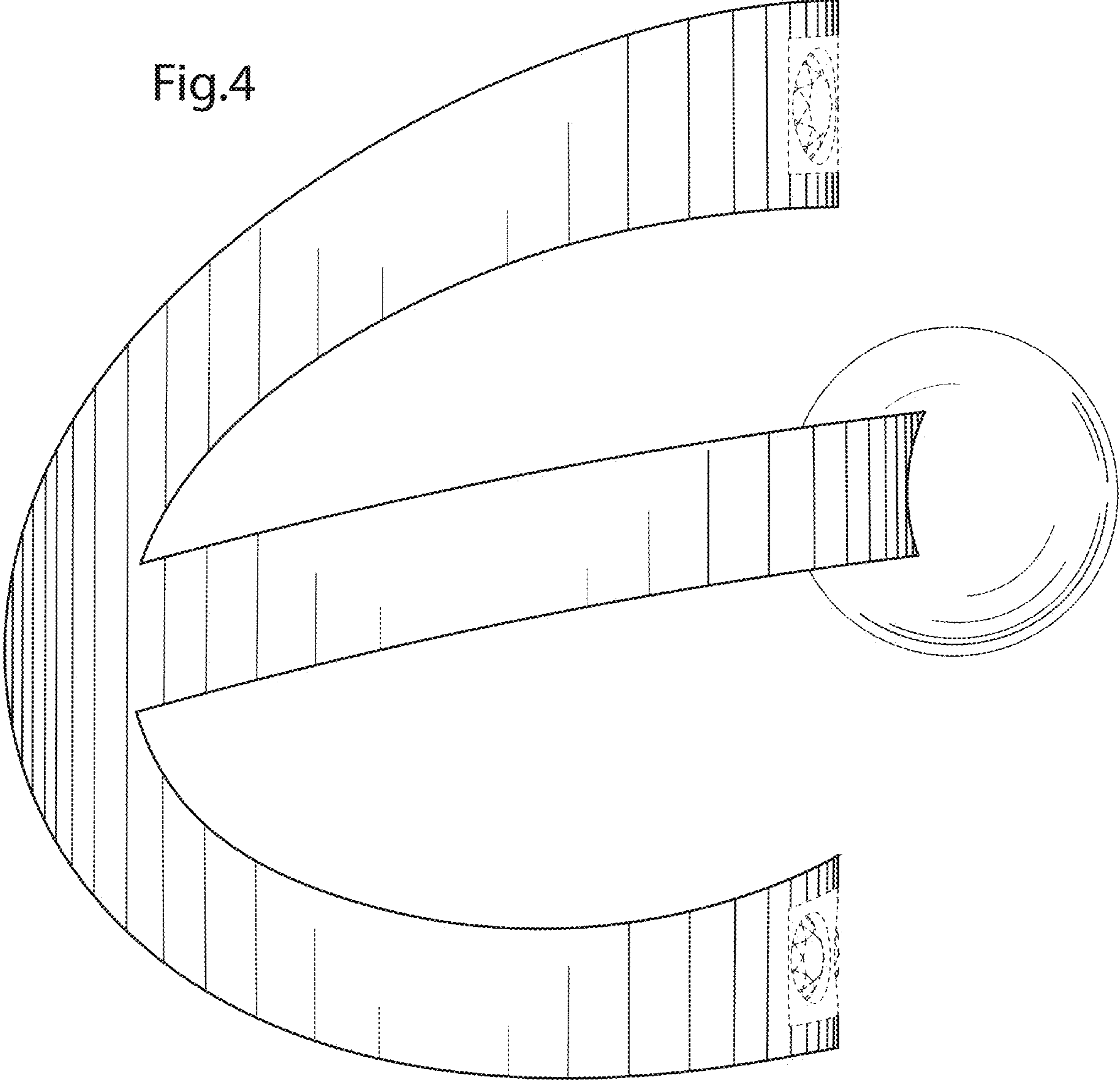


Fig.5

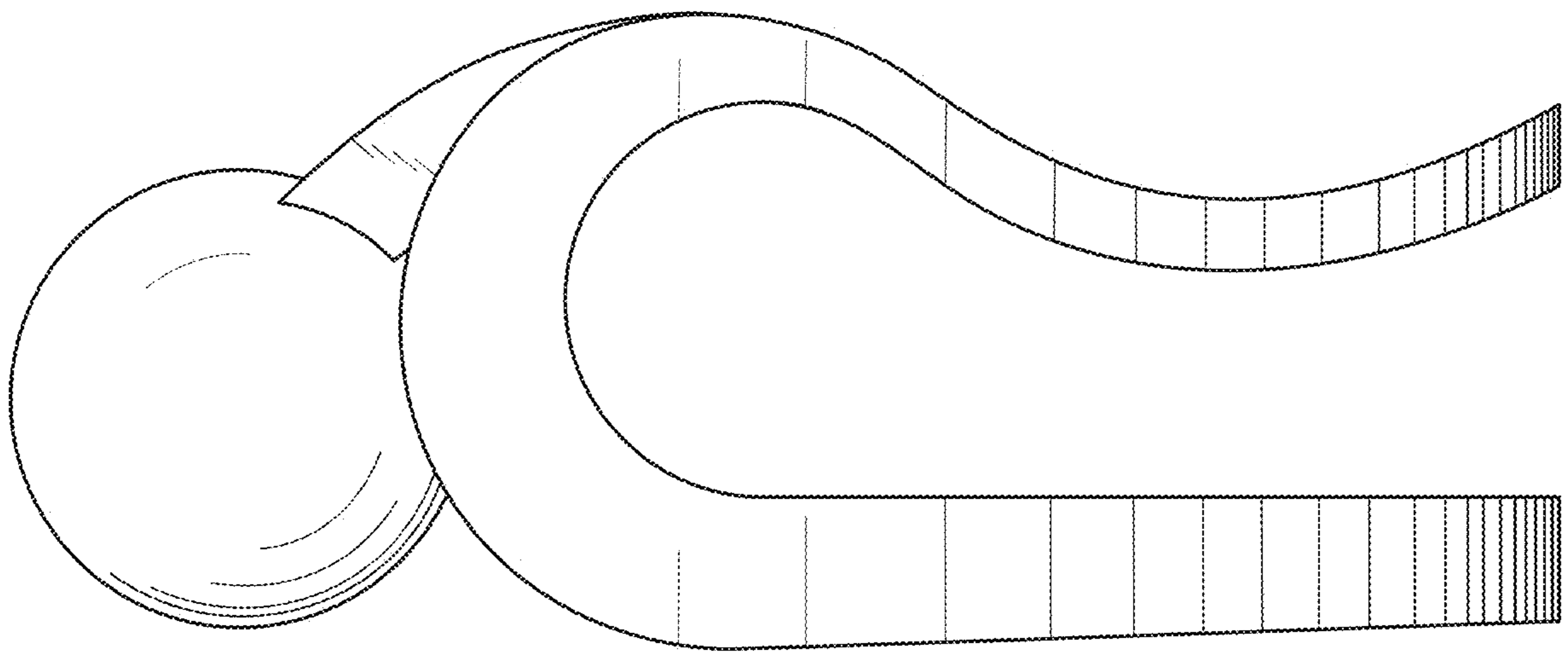


Fig.6

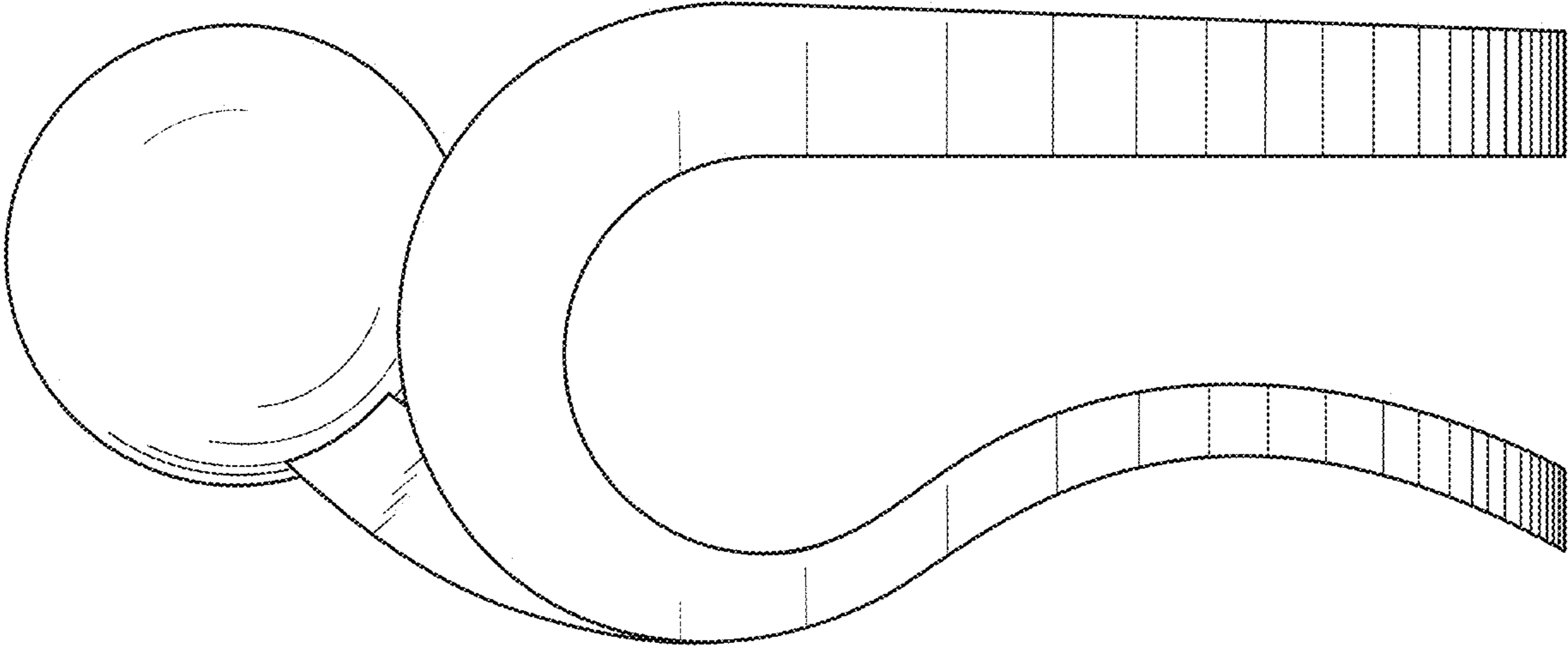


Fig.7

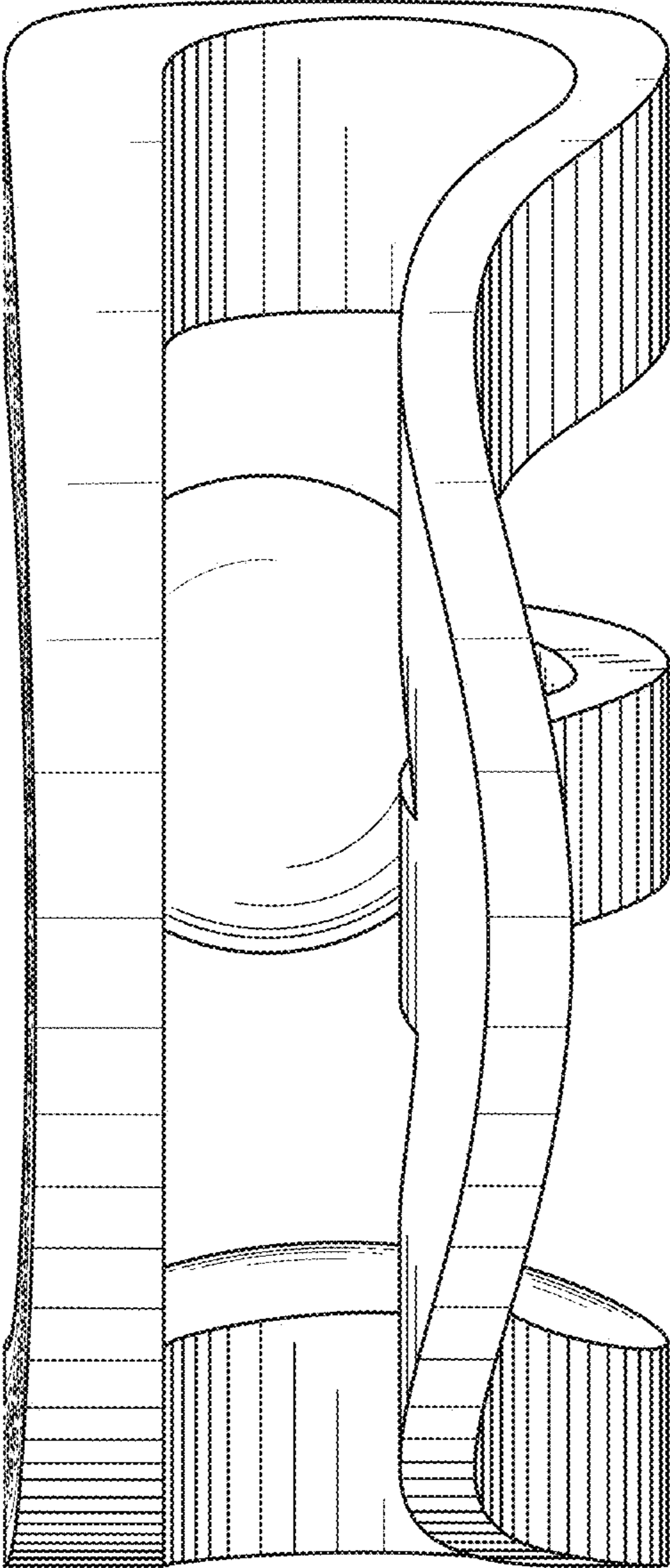


Fig.8

