



US00D883129S

(12) **United States Design Patent**
Kwon

(10) **Patent No.:** **US D883,129 S**

(45) **Date of Patent:** **** May 5, 2020**

(54) **NECKLACE**

(71) Applicant: **HARRY WINSTON SA,**
Plan-les-Ouates (CH)

(72) Inventor: **Chaeree Kwon,** Brooklyn, NY (US)

(73) Assignee: **Harry Winston SA,** Plan-les-Ouates
(CH)

(**) Term: **15 Years**

(21) Appl. No.: **29/618,399**

(22) Filed: **Sep. 21, 2017**

(30) **Foreign Application Priority Data**

Mar. 21, 2017 (WO) DM/095 429

(51) **LOC (12) Cl.** **11-01**

(52) **U.S. Cl.**
USPC **D11/6**

(58) **Field of Classification Search**

USPC D11/1–25, 40, 41, 43–46, 48, 69, 77, 78,
D11/79, 80, 81, 84, 86, 87, 93, 97, 98,
D11/201, 203, 208, 209, 211, 218, 219
CPC A44C 1/00; A44C 15/005; A44C 15/0055;
A44C 25/001; A44C 25/007
See application file for complete search history.

(56) **References Cited**

U.S. PATENT DOCUMENTS

- 5,694,791 A * 12/1997 Esposito A44C 11/007
63/3
- D439,187 S * 3/2001 Cabarbaye D11/3
- D556,621 S * 12/2007 Allin D11/17
- D644,953 S * 9/2011 Favre D11/12
- D719,866 S * 12/2014 Audette D11/13
- D723,410 S * 3/2015 Kwon D11/3
- D747,999 S * 1/2016 Yatsugi-Kang D11/7

- D761,684 S * 7/2016 Yatsugi-Kang D11/7
- D762,135 S * 7/2016 Yatsugi-Kang D11/16
- D780,001 S * 2/2017 Dominguez D11/6
- D780,002 S * 2/2017 Verdeille D11/6
- D790,383 S * 6/2017 Gruosi D11/7

OTHER PUBLICATIONS

BVLGARI_Necklace (available online) Retrieved from the internet
Sep. 17, 2019 from URL: <https://www.bulgari.com/en-us/351424.html>.*

Vintage_Alhambra_long_necklace (available online) Retrieved from
the internet Sep. 10, 2019 from URL: <https://www.vancleefarpels.com/us/en/collections/jewelry/alhambra/vintage-alhambra/vcara42100-vintage-alhambra-long-necklace-20-motifs.html>.*

* cited by examiner

Primary Examiner — Kevin K Rudzinski

Assistant Examiner — Richard Kearney

(74) *Attorney, Agent, or Firm* — Blank Rome LLP

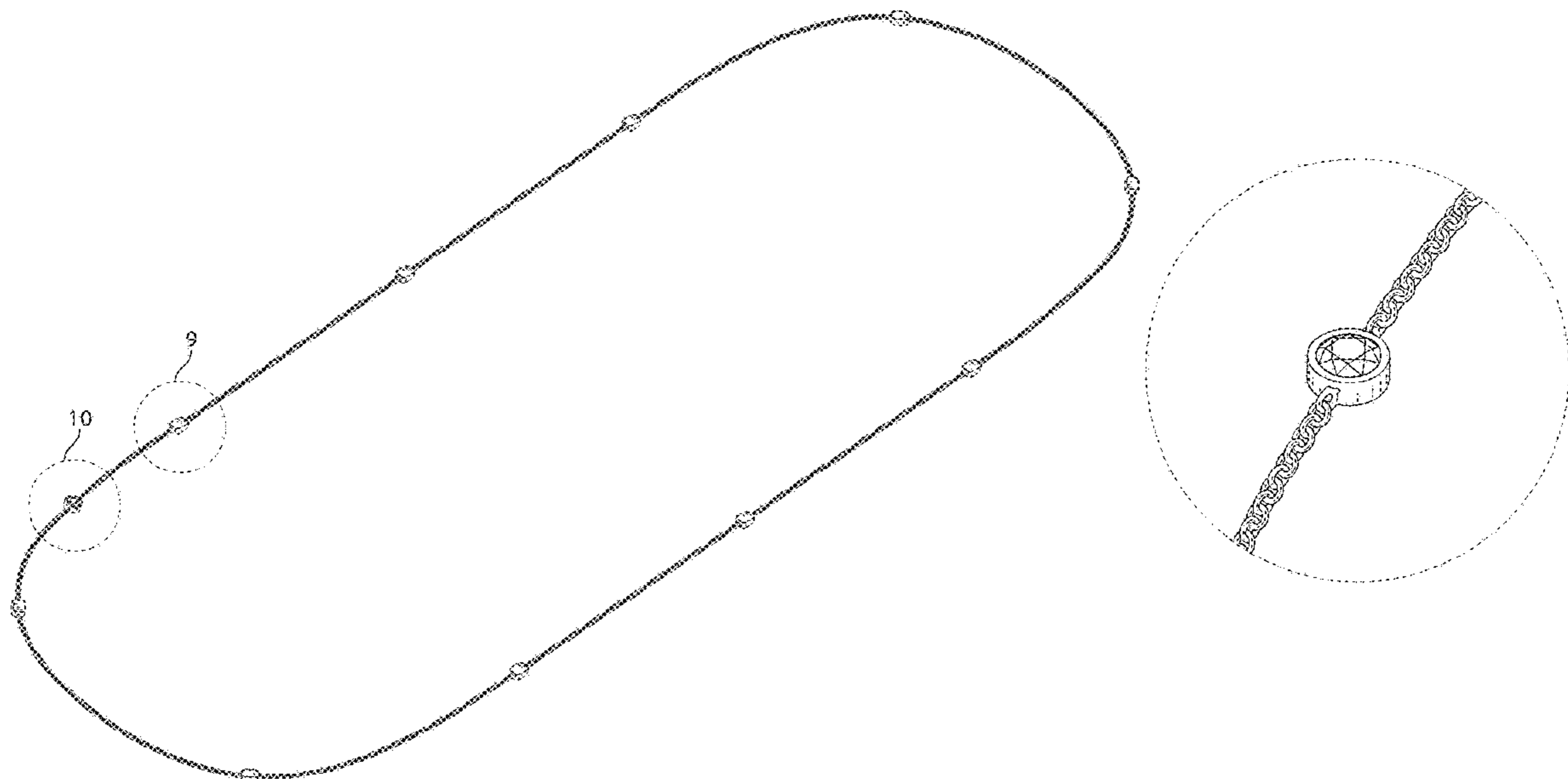
(57) **CLAIM**

The ornamental design for a necklace, as shown and described.

DESCRIPTION

FIG. 1 is a front right perspective view of a necklace showing my new design;
 FIG. 2 is a rear left perspective view thereof;
 FIG. 3 is a front view thereof;
 FIG. 4 is a rear view thereof;
 FIG. 5 is a left side view thereof;
 FIG. 6 is a right side view thereof;
 FIG. 7 is an enlarged top view thereof;
 FIG. 8 is an enlarged bottom view thereof;
 FIG. 9 is an enlarged view of portion shown in FIG. 1 thereof; and,
 FIG. 10 is an enlarged view of portion shown in FIG. 1 thereof.

1 Claim, 7 Drawing Sheets



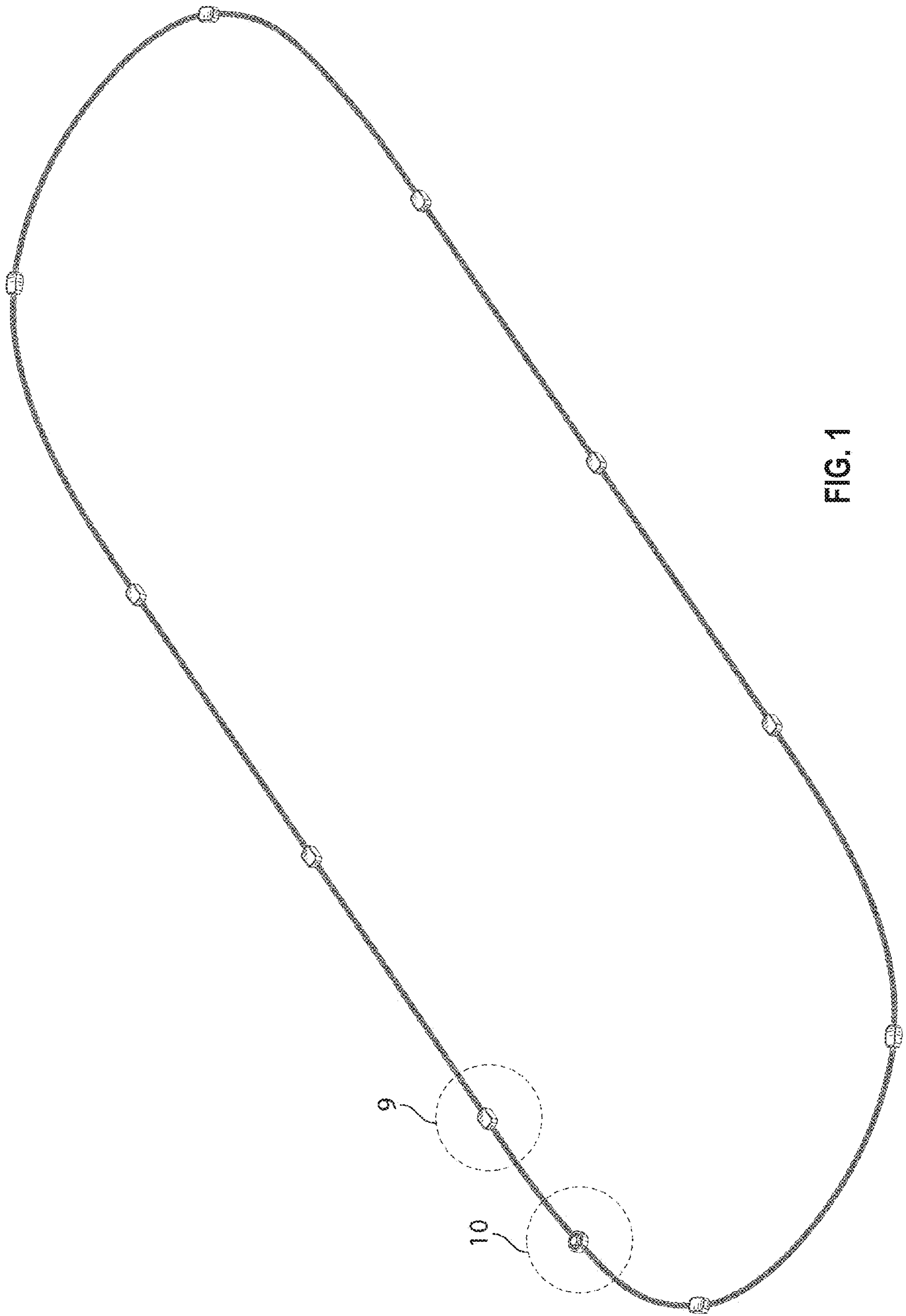


FIG. 1

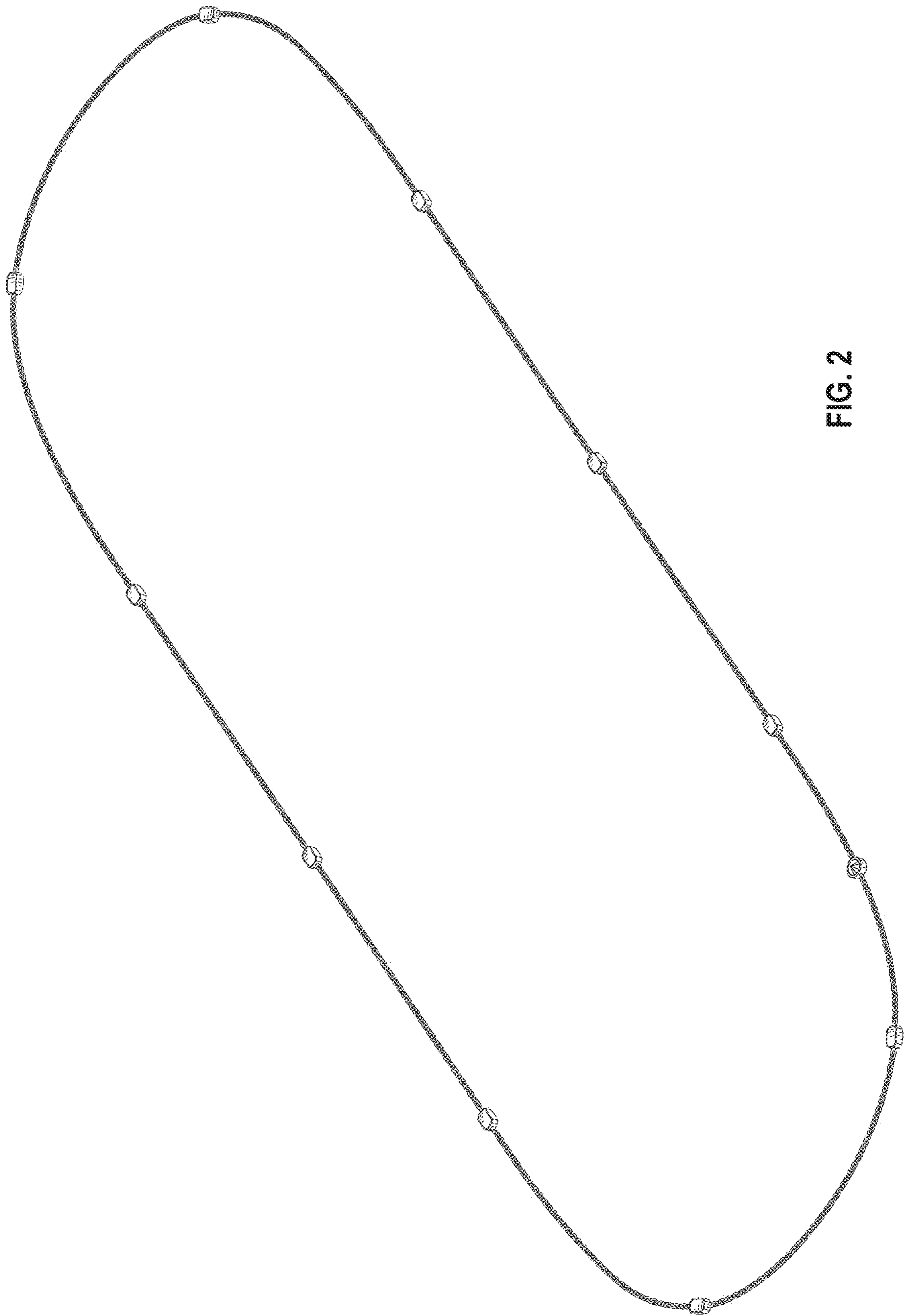


FIG. 2

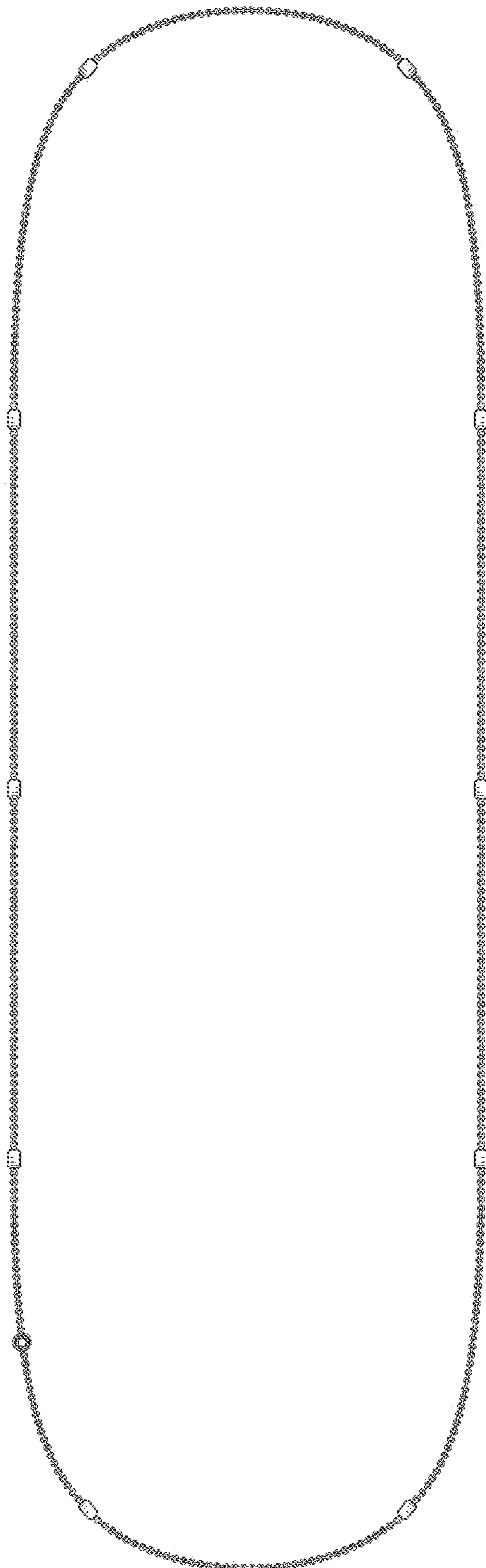


FIG. 3

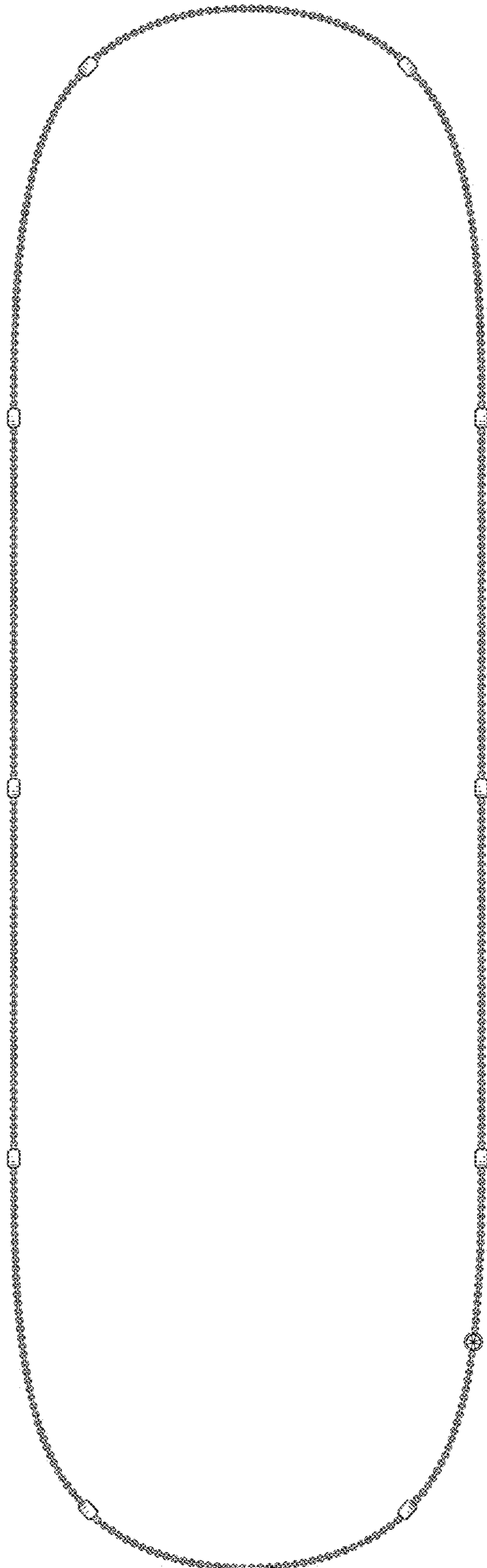


FIG. 4



FIG. 5

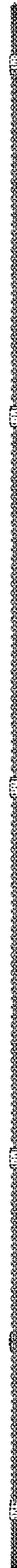


FIG. 6

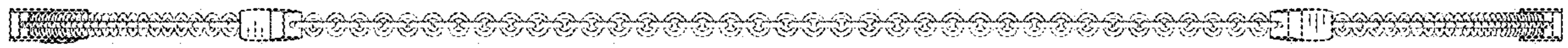


FIG. 7

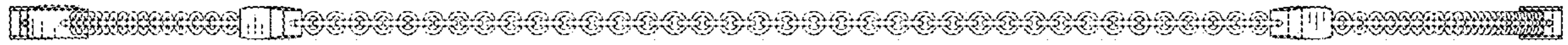


FIG. 8

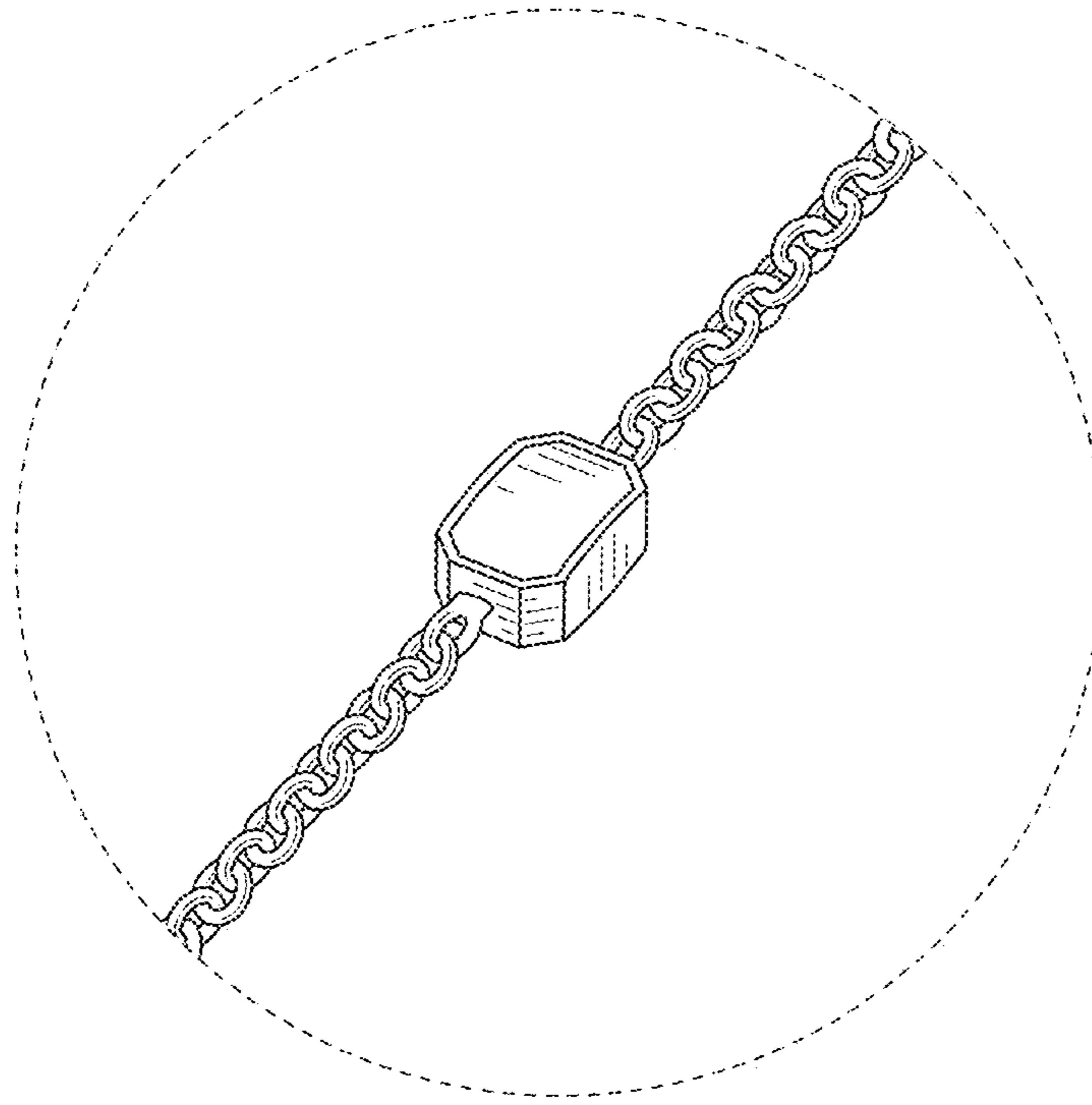


FIG. 9

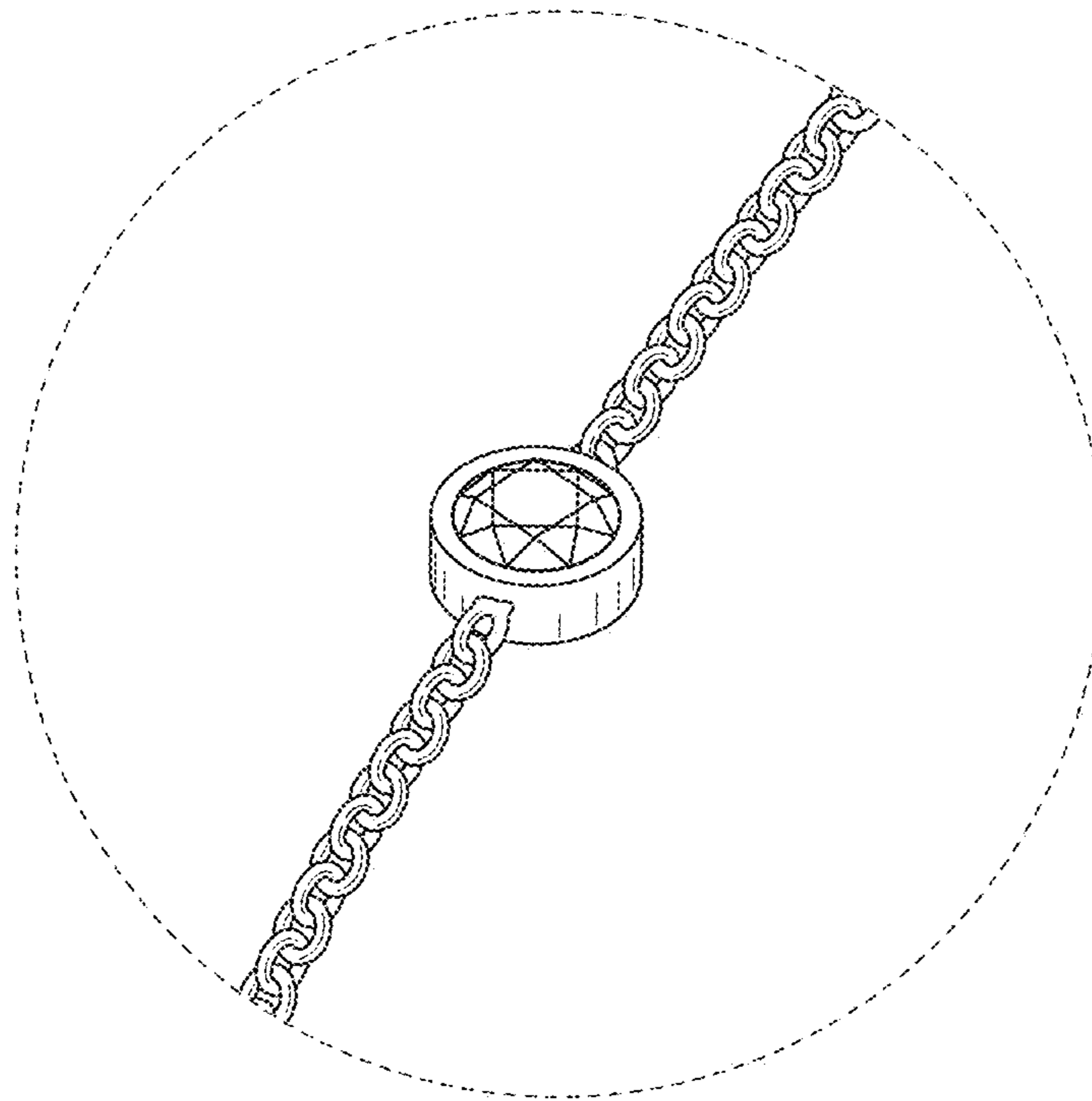


FIG. 10