



US00D883128S

(12) **United States Design Patent**  
**DeYoung**

(10) **Patent No.:** **US D883,128 S**

(45) **Date of Patent:** **\*\* May 5, 2020**

(54) **WARNING BEACON FOR VEHICLES**

(71) Applicant: **Innotec, Corp.**, Zeeland, MI (US)

(72) Inventor: **Jonathan R. DeYoung**, Grand Rapids, MI (US)

(73) Assignee: **INNOTECH, CORP.**, Zeeland, MI (US)

(\*\*) Term: **15 Years**

(21) Appl. No.: **35/506,704**

(22) Filed: **Oct. 21, 2018**

(80) **Hague Agreement Data**

Int. Filing Date: **Oct. 21, 2018**

Int. Reg. No.: **DM/200491**

Int. Reg. Date: **Oct. 21, 2018**

Int. Reg. Pub. Date: **May 3, 2019**

(51) **LOC (12) Cl.** ..... **10-05**

(52) **U.S. Cl.**  
USPC ..... **D10/114.8**

(58) **Field of Classification Search**

USPC ..... D10/106.8, 109.1, 111, 114.2, 114.3,  
D10/114.4, 114.5, 114.8; D26/28, 35, 36,  
D26/40, 69, 70, 72, 110

CPC ..... F21W 2101/02; F21W 2101/10; F21W  
2101/14

See application file for complete search history.

(56) **References Cited**

**U.S. PATENT DOCUMENTS**

D177,205 S *	3/1956	Ayotte	.....	D26/36
D194,403 S *	1/1963	Flaugher et al.	.....	D26/40
D196,622 S *	10/1963	Laudi	.....	D10/114.9
D216,222 S *	12/1969	Etobicoke et al.	.....	D26/35
D231,121 S *	4/1974	Brudy et al.	.....	D26/35
D252,832 S *	9/1979	Bowser	.....	D26/85
6,486,797 B1 *	11/2002	Laidman	.....	B60Q 7/00 340/332
D519,050 S *	4/2006	Lee	.....	D10/113.1
7,088,222 B1 *	8/2006	Dueker	.....	B60Q 7/00 340/321

D560,533 S *	1/2008	Dueker	.....	D10/109.1
D654,387 S *	2/2012	Wilson	.....	F21L 2/00 D10/114.2
D678,100 S *	3/2013	Hwang	.....	D10/114.1

(Continued)

**OTHER PUBLICATIONS**

Mini Emergency LED Light Bar. Earliest date Jun. 20, 2015; 5 pages. Found online Feb. 6, 2020 at: <https://www.superbrightleds.com/moreinfo/emergency-led-light-bar/mini-emergency-led-light-bar-with-12v-accessory-plug-adaptor-magnetic-mount-360-degree-safety-strobe-light/2230/5138/?gclid=CjwKCAiA> (Year: 2015).\*

(Continued)

*Primary Examiner* — Robert M. Spear

(74) *Attorney, Agent, or Firm* — Warner Norcross + Judd LLP

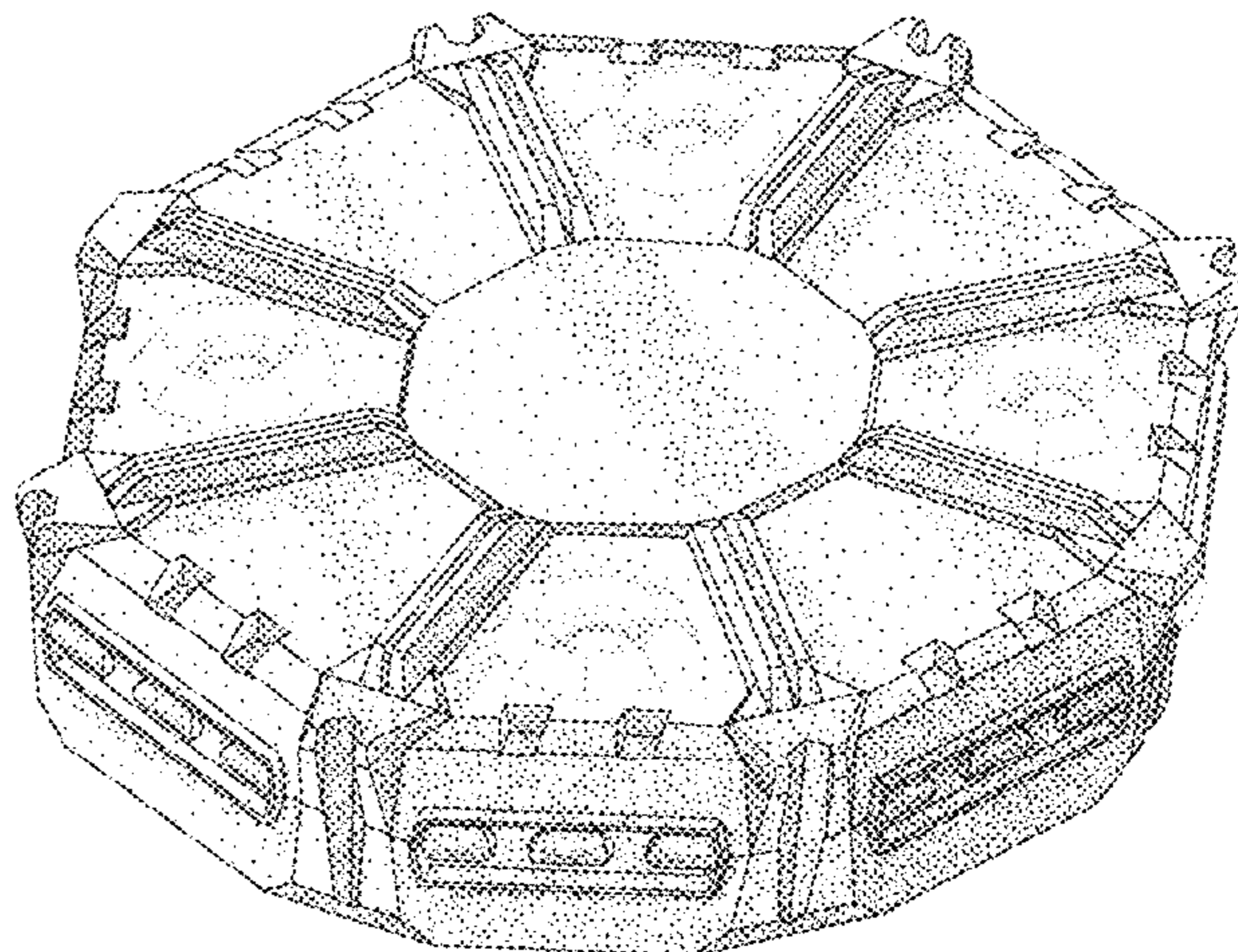
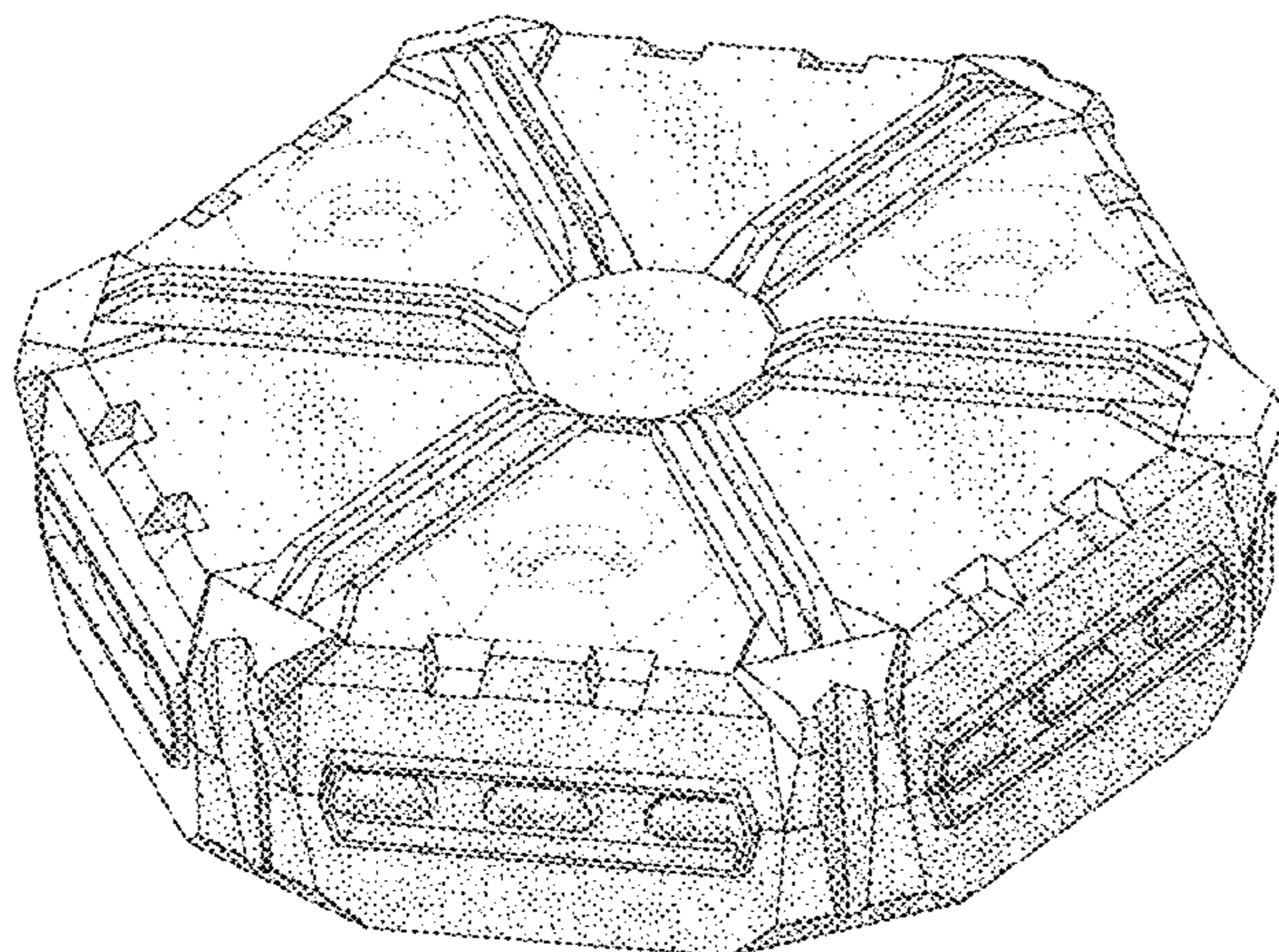
(57) **CLAIM**

The ornamental design for warning beacon for vehicles, as shown and described.

**DESCRIPTION**

- 1.-2. Warning beacon for vehicles
- 1.1—Bottom perspective view;
- 1.2—Top right front perspective view;
- 1.3—Front elevational view;
- 1.4—Rear elevational view;
- 1.5—Top plan view;
- 1.6—Bottom plan view;
- 1.7—Right side elevational view;
- 1.8—Left side elevational view;
- 2.1—Top right front perspective view;
- 2.2—Bottom perspective view;
- 2.3—Front elevational view;
- 2.4—Rear elevational view;
- 2.5—Top plan view;
- 2.6—Bottom plan view;
- 2.7—Right side elevational view;
- 2.8—Left side elevational view.

**1 Claim, 16 Drawing Sheets**



(56)

**References Cited**

U.S. PATENT DOCUMENTS

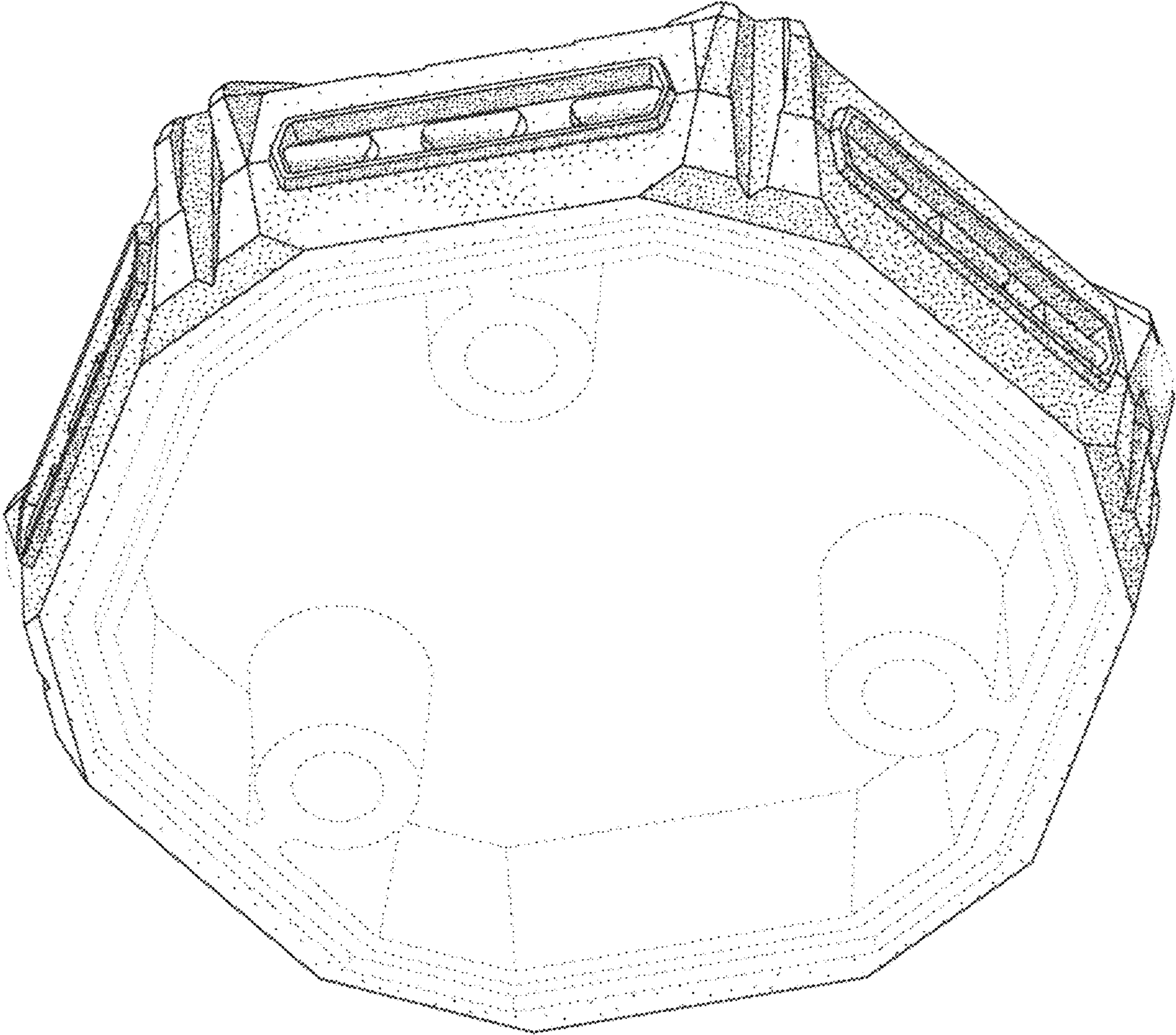
D682,451	S *	5/2013	Hardy	.....	D26/60
D691,311	S *	10/2013	Chen	.....	D26/40
8,550,653	B2 *	10/2013	Wilson	.....	F21L 2/00 362/157
D707,146	S *	6/2014	Bennett	.....	D10/114.2
9,046,229	B2 *	6/2015	Bennett	.....	F21L 2/00
D737,165	S *	8/2015	Bjorklund	.....	D10/113.1
D779,986	S *	2/2017	Deyaf	.....	D10/114.5
D793,600	S *	8/2017	Ruao da Cunha	.....	D26/67
D802,197	S *	11/2017	Ding	.....	D26/72
D838,023	S *	1/2019	Ralph	.....	D26/40
2002/0180616	A1 *	12/2002	Laidman	.....	B60Q 7/00 340/908.1
2007/0176784	A1 *	8/2007	Fautin	.....	B60Q 1/52 340/686.1
2012/0287611	A1 *	11/2012	Wilson	.....	F21L 2/00 362/183

OTHER PUBLICATIONS

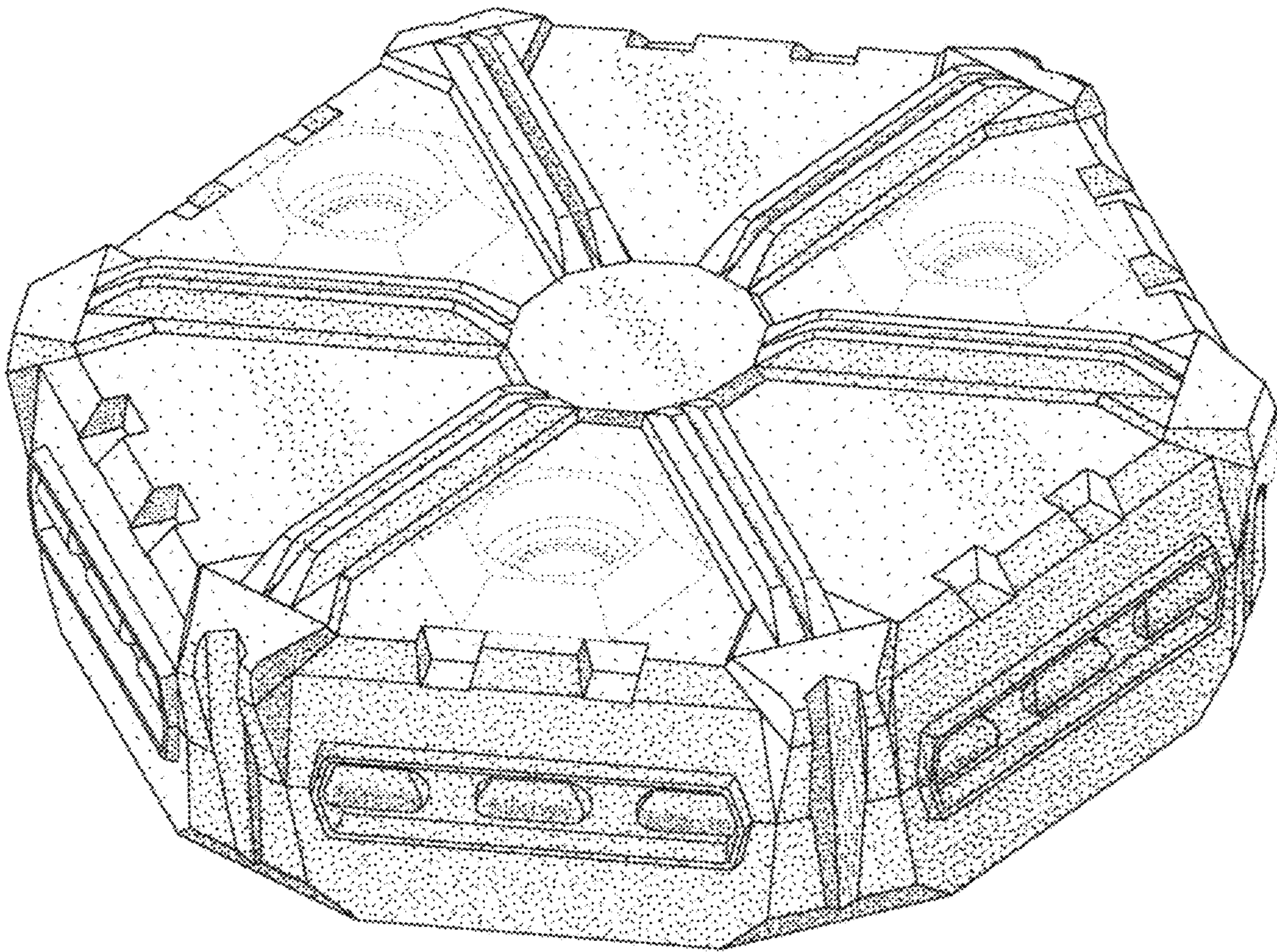
Innotecgroup.com: Innotec Beacon brochure. Dated Sep. 24, 2019 (per Document Properties Description tab); 2 pages. Found online Feb. 6, 2020 at: [https://www.innotecgroup.com/wp-content/uploads/2019/10/Beacon-Light\\_10\\_14.pdf](https://www.innotecgroup.com/wp-content/uploads/2019/10/Beacon-Light_10_14.pdf) (Year: 2019).\*

\* cited by examiner

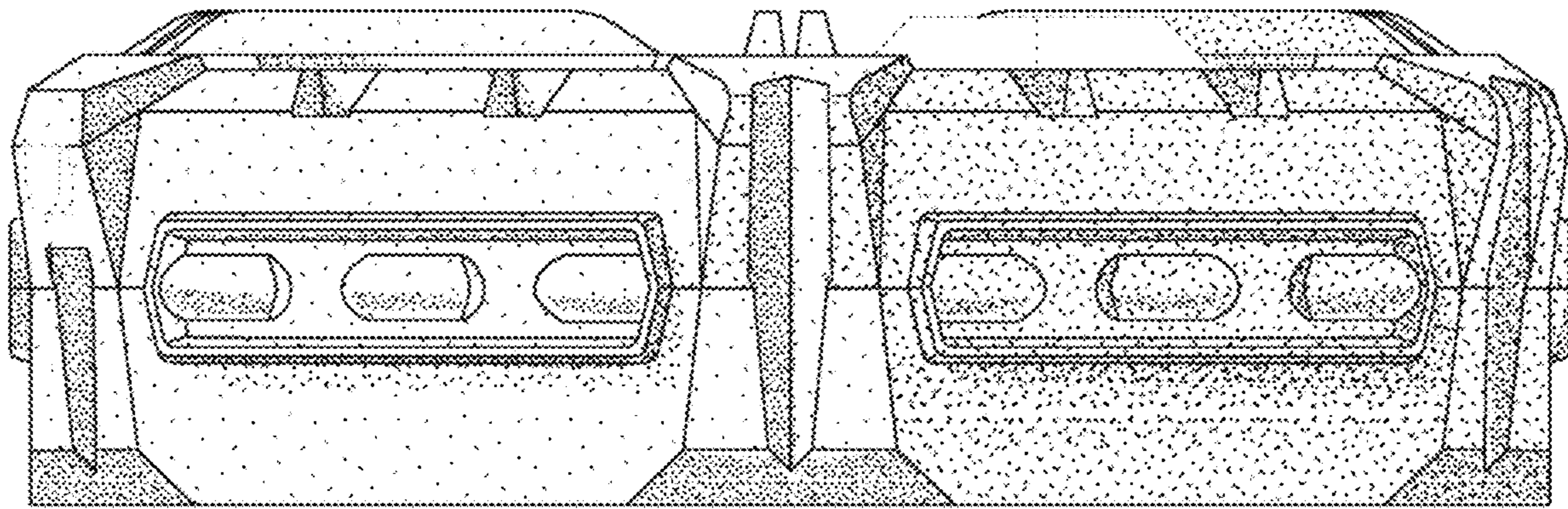
1.1



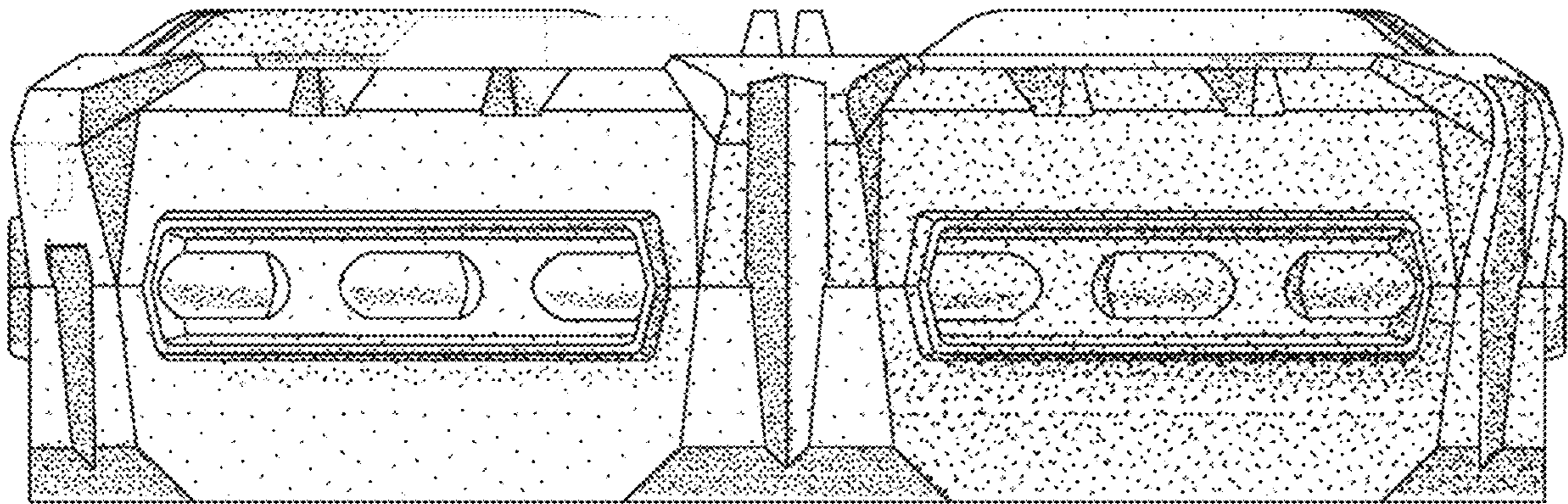
1.2



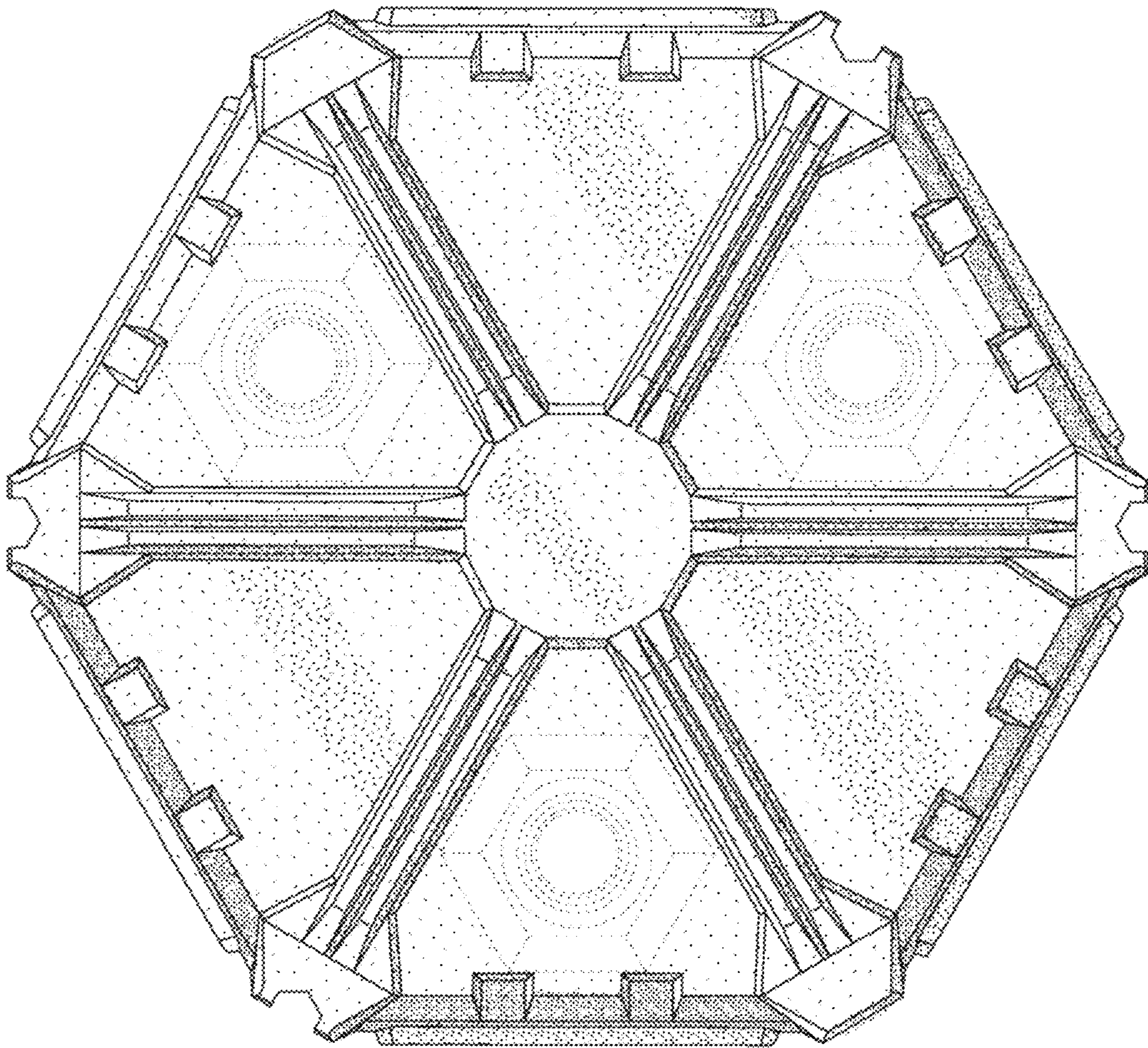
1.3



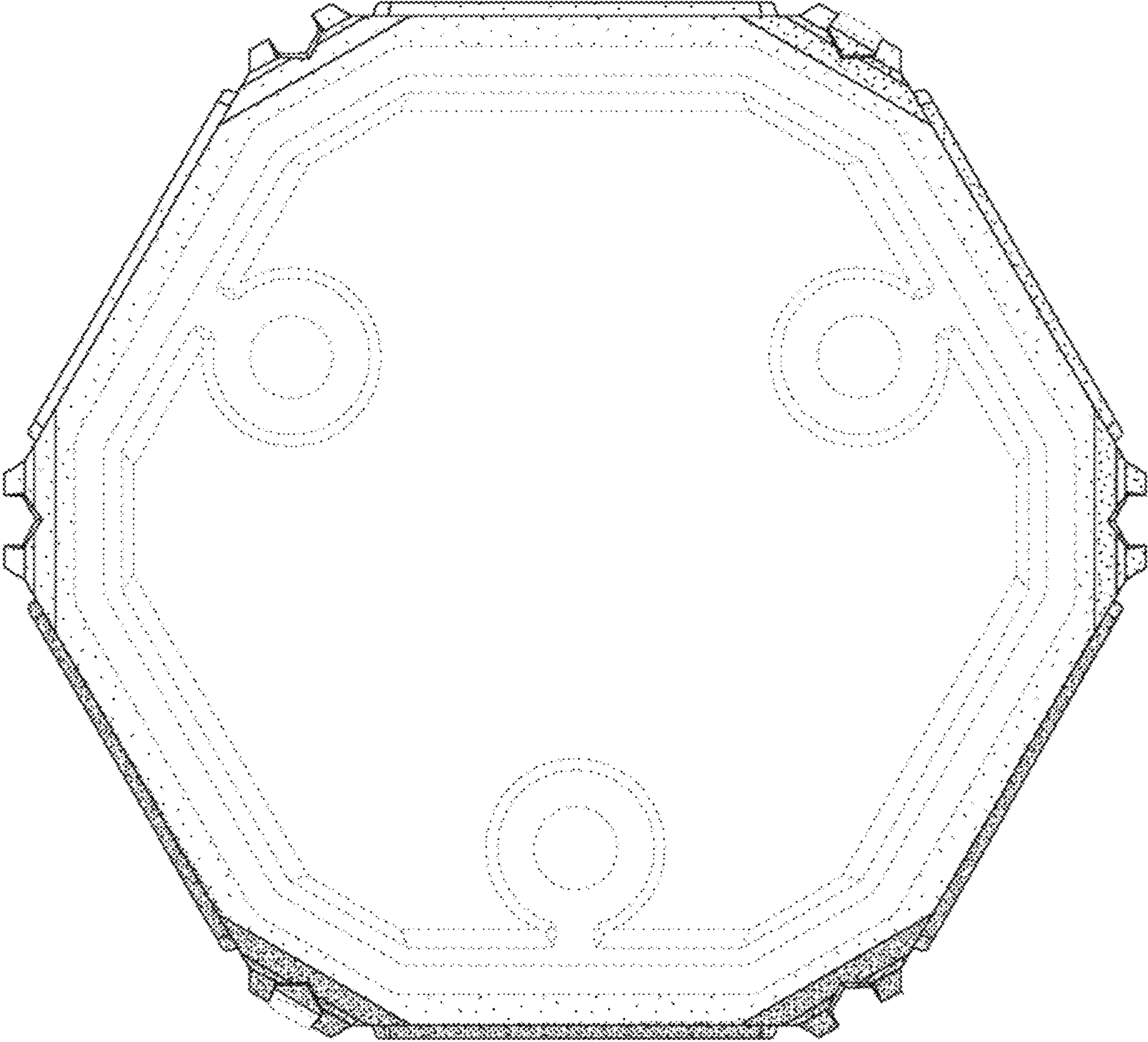
1.4



1.5

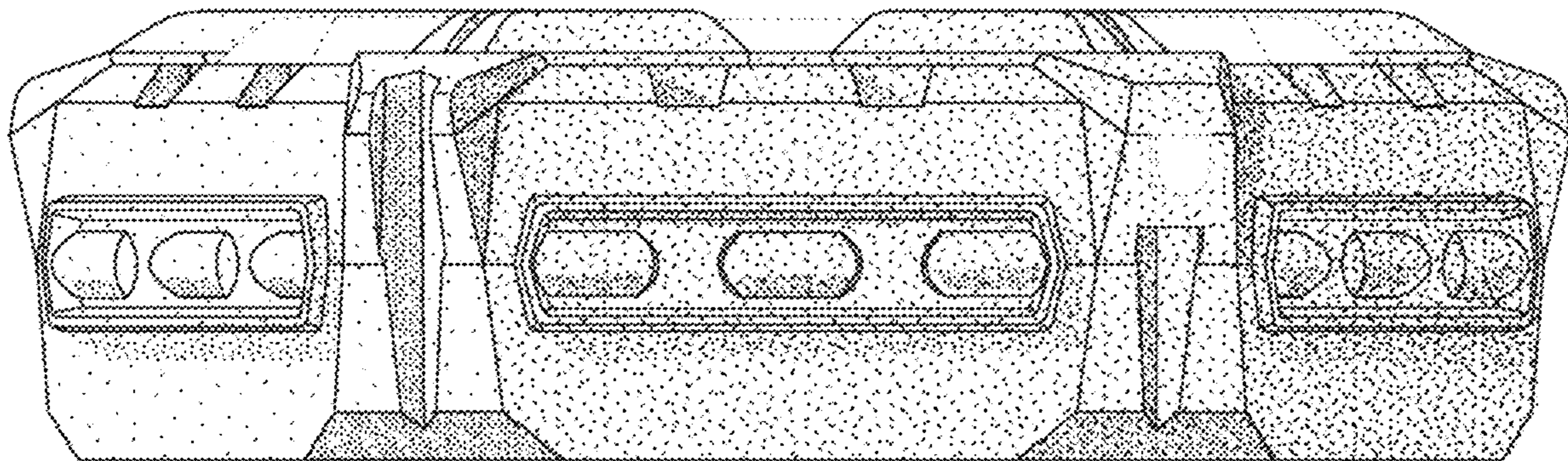


1.6

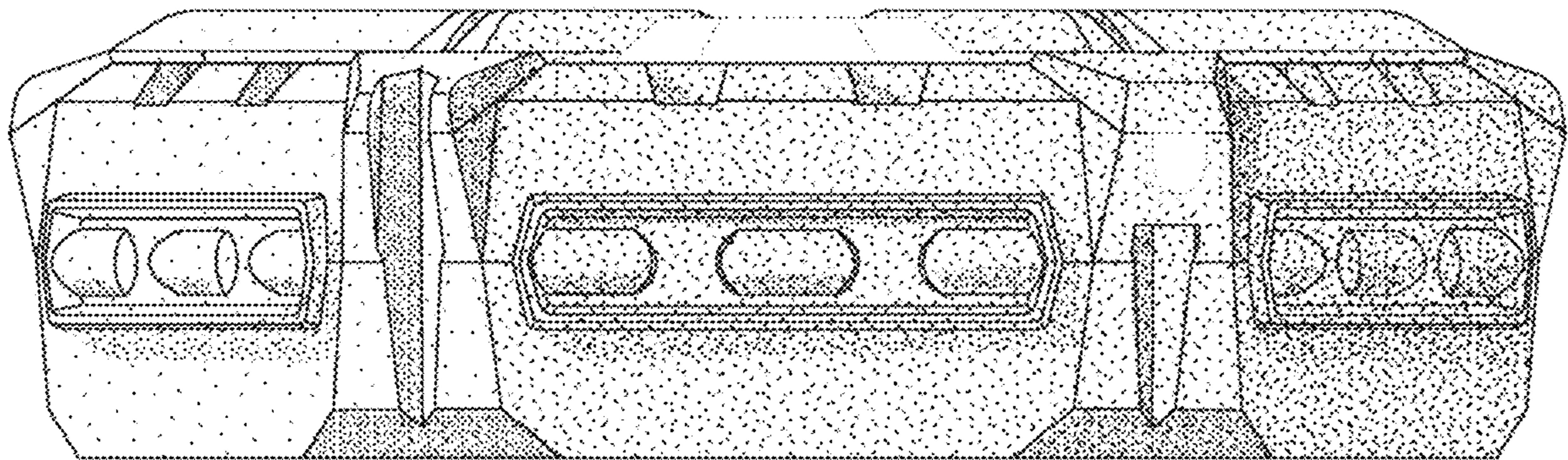




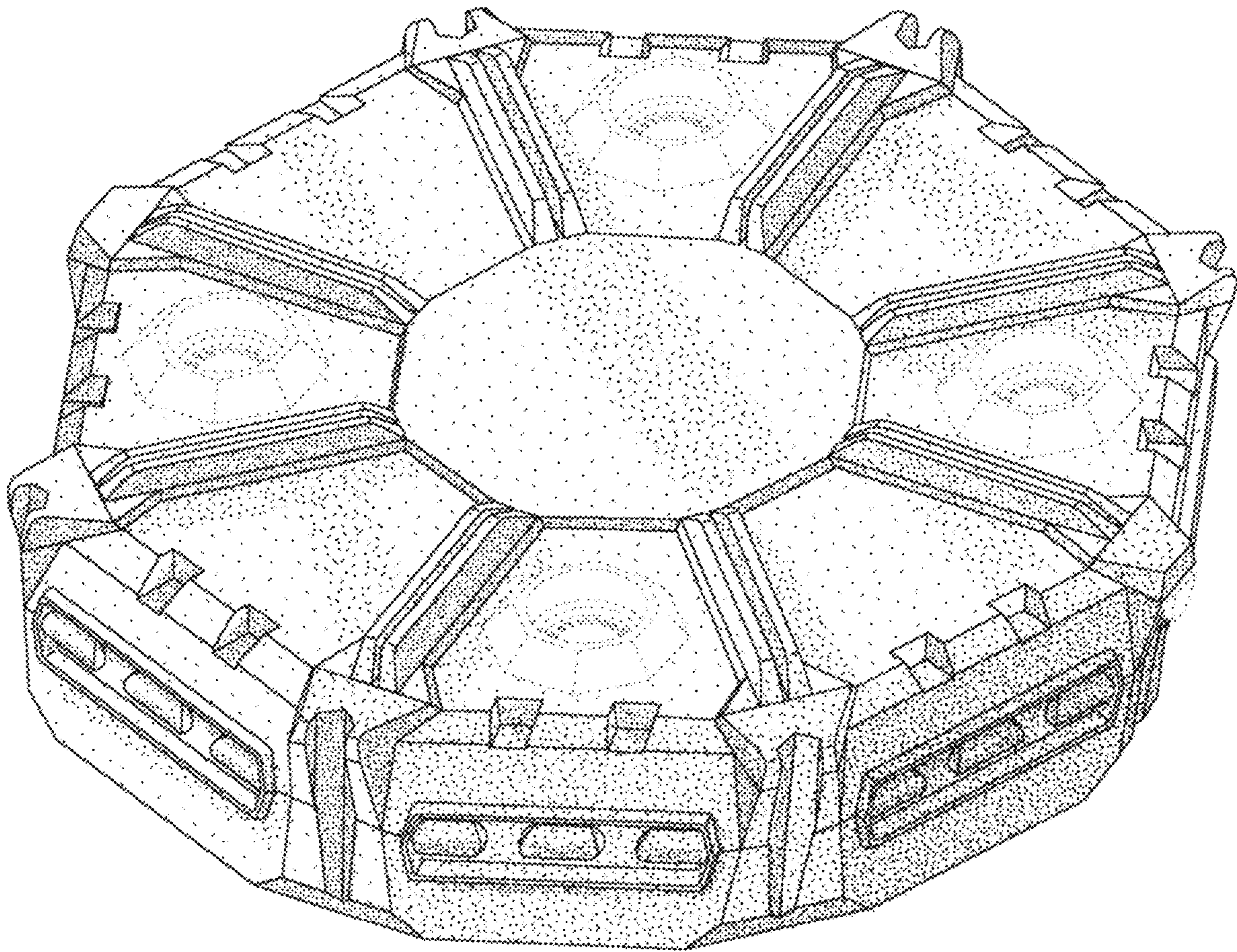
1.7



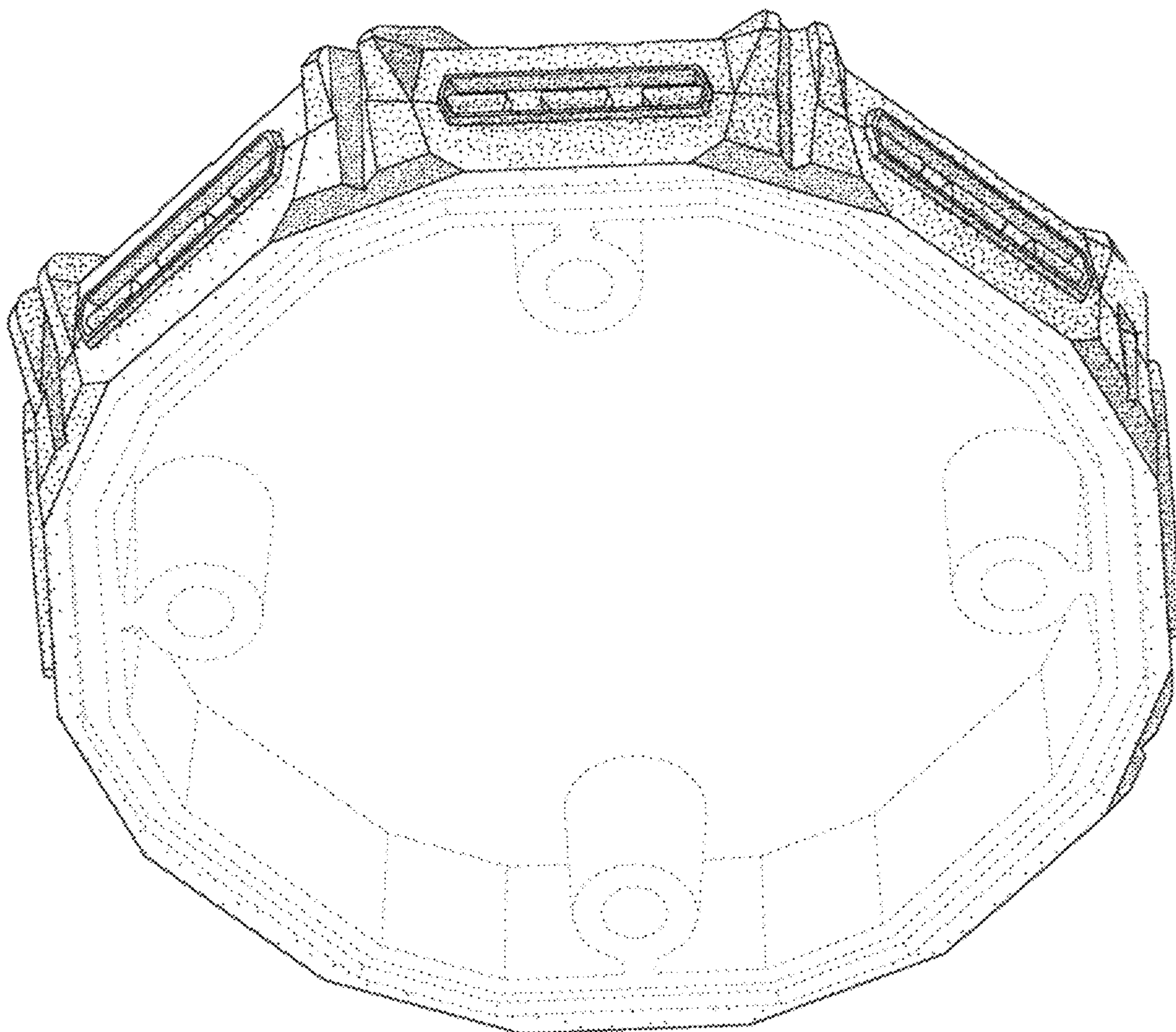
1.8



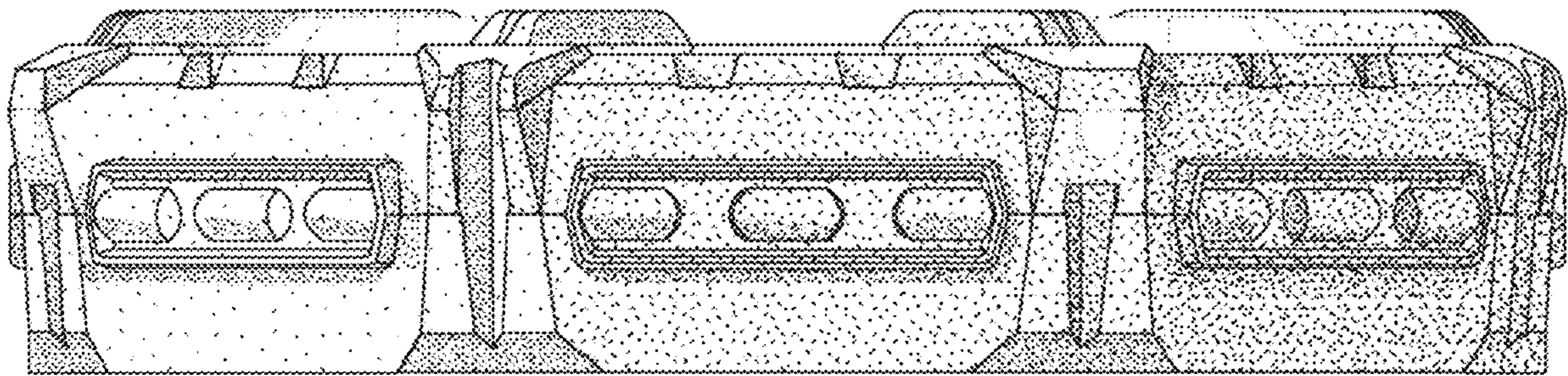
2.1



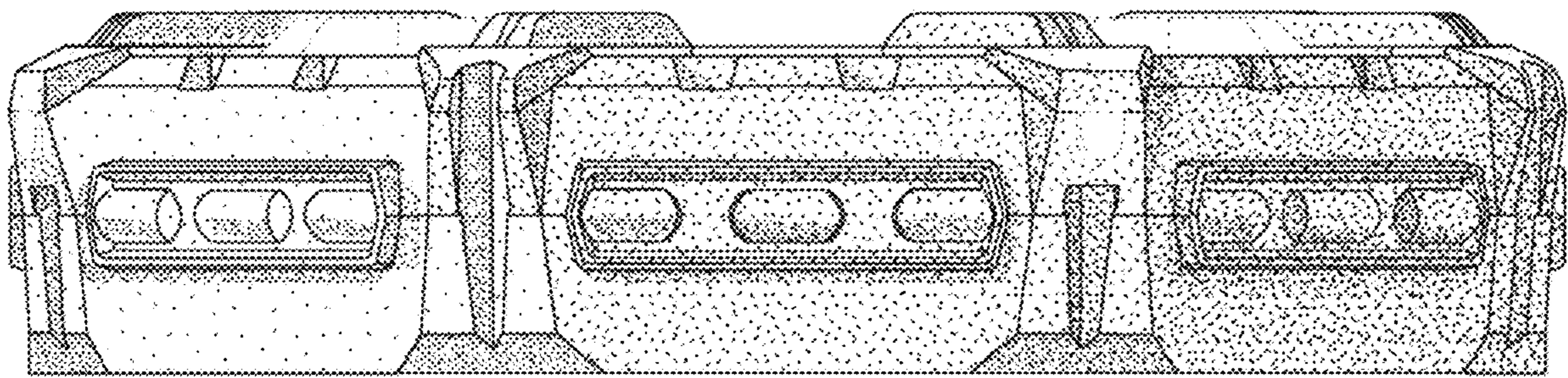
2.2



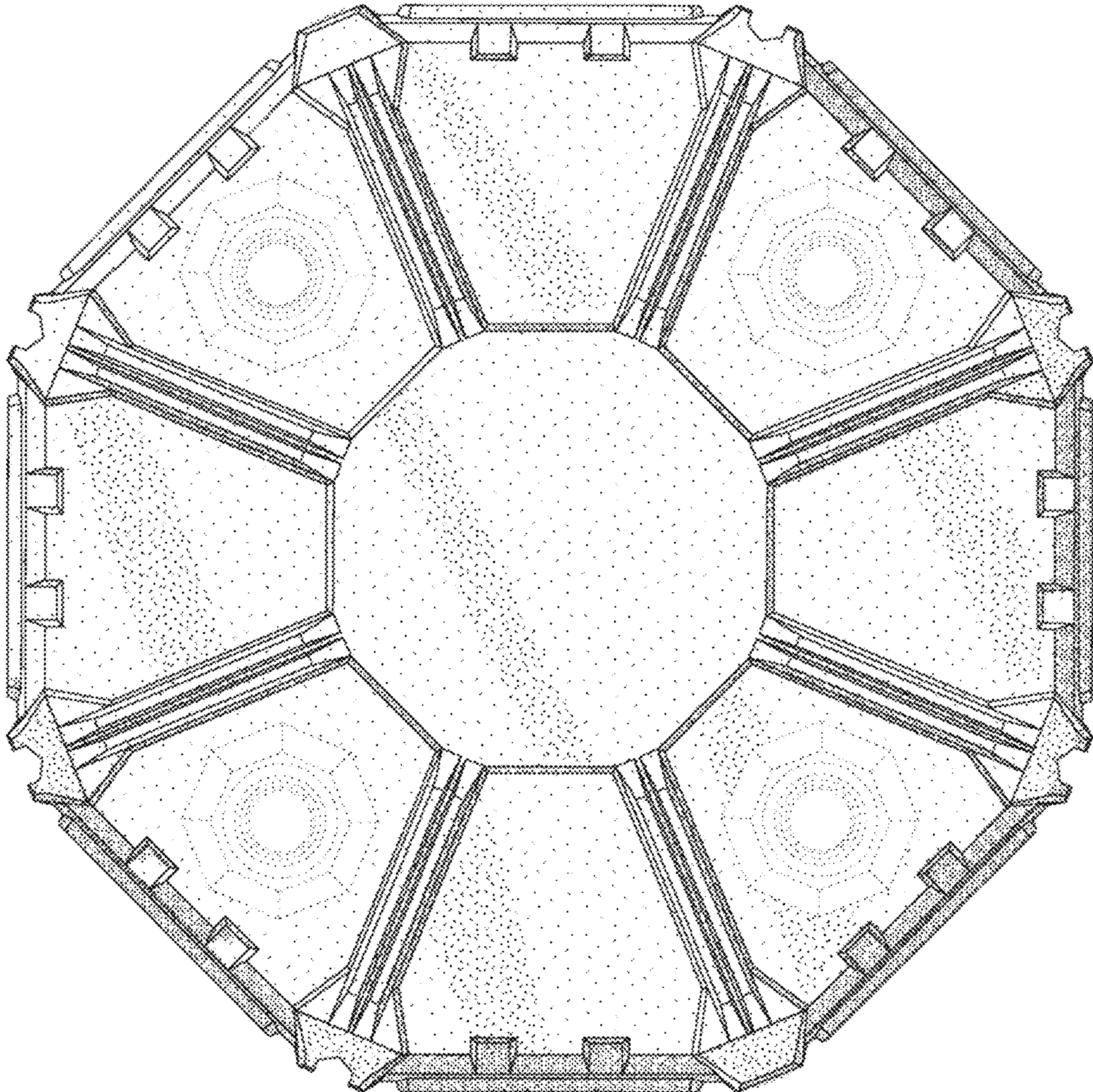
2.3



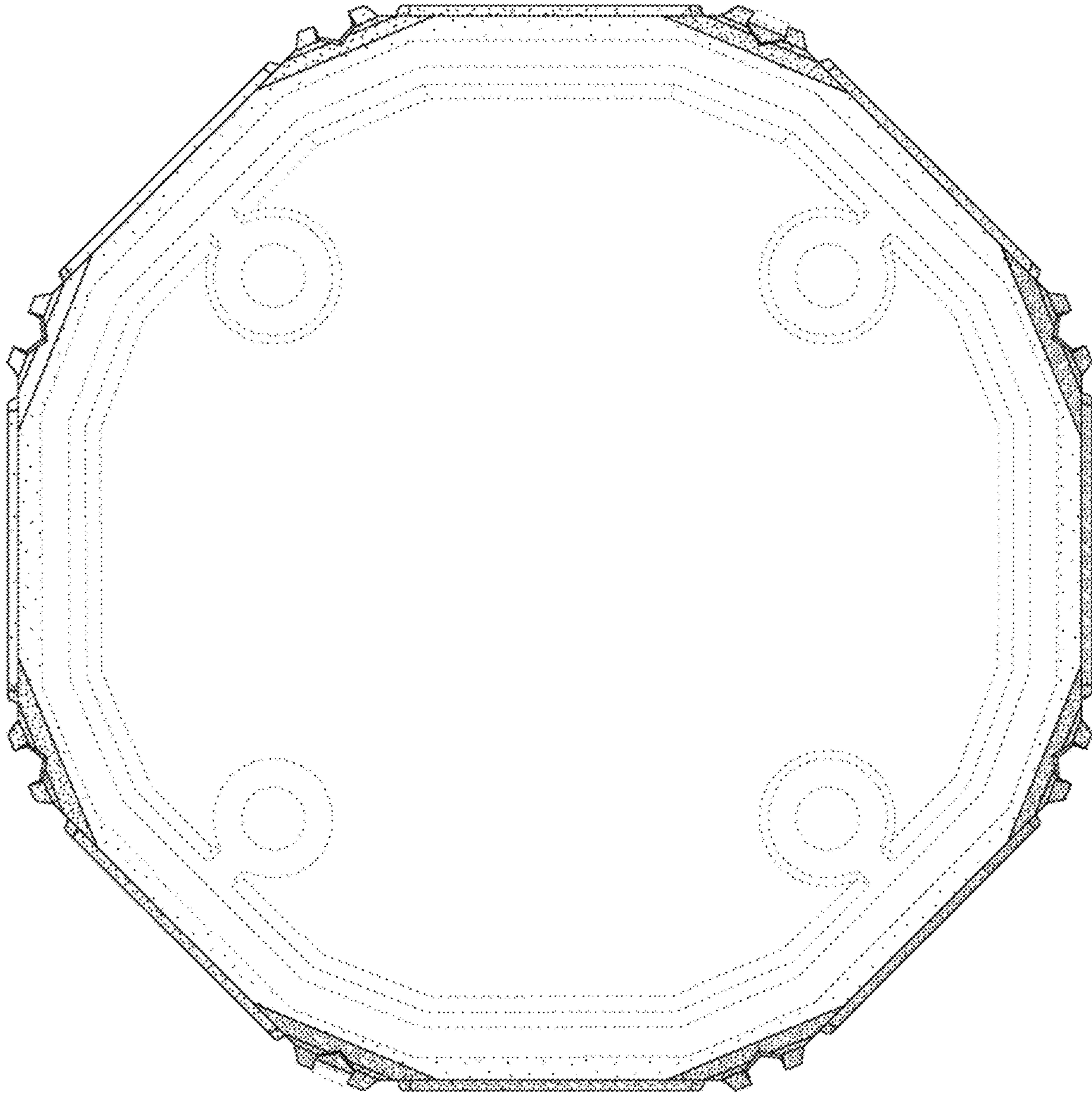
2.4



2.5

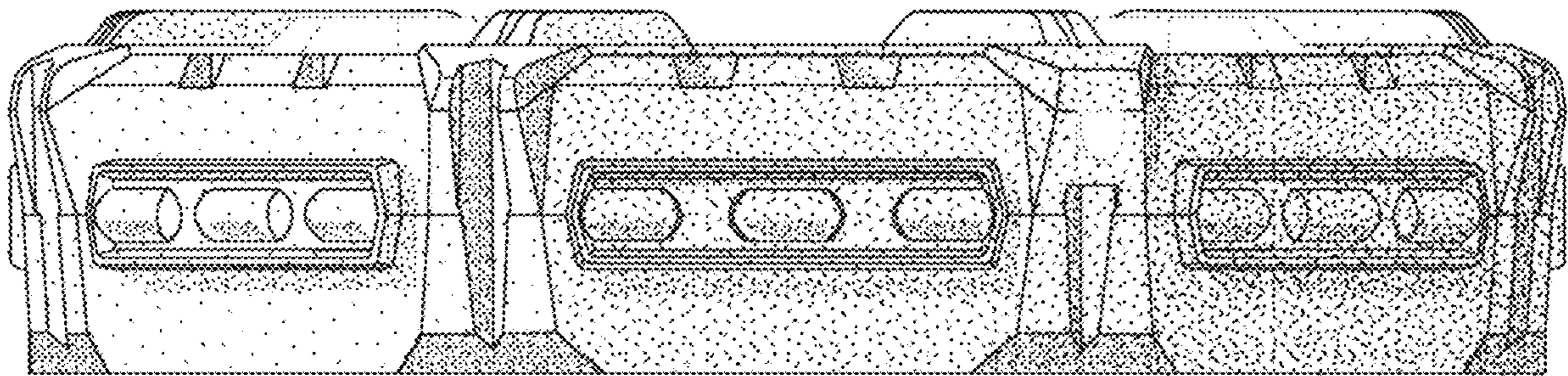


2.6





2.7



2.8

