



US00D883124S

(12) **United States Design Patent** (10) **Patent No.:** **US D883,124 S**
Martine (45) **Date of Patent:** **** May 5, 2020**

(54) **ITEM LOCATOR**

(71) Applicant: **James C. Martine**, Richmond, VA (US)

(72) Inventor: **James C. Martine**, Richmond, VA (US)

(**) Term: **15 Years**

(21) Appl. No.: **29/645,714**

(22) Filed: **Apr. 27, 2018**

(51) **LOC (12) Cl.** **10-05**

(52) **U.S. Cl.**
USPC **D10/104.1**

(58) **Field of Classification Search**
USPC D10/70, 97, 103, 104.1, 104.2,
D10/106.1-106.95, 108, 114.1, 121, 123,
D10/124, 125, 126, 132; D16/202, 203,
D16/214, 215; D14/435, 437
CPC G08B 17/00; G08B 17/06; G08B 17/10;
G08B 17/11; G08B 17/12; G08B 17/103;
G08B 17/107; G08B 21/02; G08B
21/0202; G08B 21/0205; A01K 11/006;
A01K 11/008

See application file for complete search history.

(56) **References Cited**

U.S. PATENT DOCUMENTS

D415,053 S * 10/1999 Zwiers D10/104.1
D441,677 S * 5/2001 Oliver D10/104.1
6,366,202 B1 4/2002 Rosenthal
D459,262 S * 6/2002 Kurz D10/104.1
D475,645 S * 6/2003 Hoonsbeen D10/104.1
6,735,444 B2 5/2004 Wingren
6,956,475 B1 10/2005 Hill
D528,510 S * 9/2006 Schmieta D13/168
7,511,627 B2 3/2009 Holoyda

D596,975 S * 7/2009 Ohtsuka D10/106.1
D598,313 S * 8/2009 Schmelling A24F 47/008
D10/106.1
D676,170 S * 2/2013 Feng G01J 5/0014
D26/38
8,746,609 B2 * 6/2014 Morello B65H 75/182
242/534
D810,978 S * 2/2018 Windom B65H 75/182
D26/38
D840,854 S * 2/2019 Shi D10/114.1
D844,581 S * 4/2019 Zhou D14/142
2003/0058107 A1 3/2003 Ferrier et al.
2005/0168338 A1 8/2005 Parker et al.
2010/0173615 A1 7/2010 Harris
2012/0218103 A1 8/2012 Alves et al.
2013/0260785 A1 10/2013 Shakespeare et al.
2018/0160730 A1 * 6/2018 Bless G01J 5/0014
2018/0255837 A1 * 9/2018 Levitz A24F 47/008

* cited by examiner

Primary Examiner — George D. Kirschbaum

Assistant Examiner — Joseph J Kukella

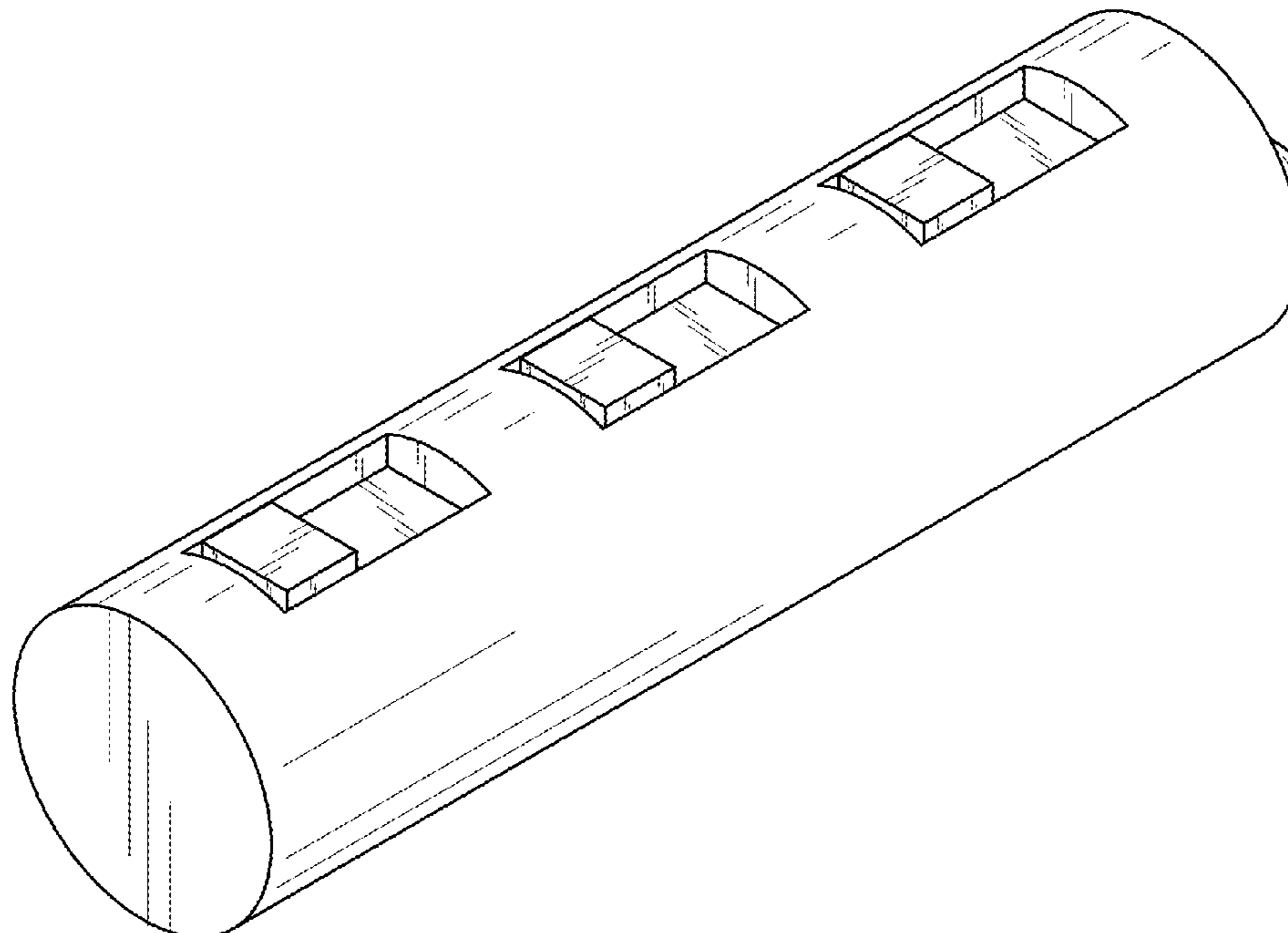
(57) **CLAIM**

The ornamental design for an item locator, as shown and described.

DESCRIPTION

FIG. 1 is a perspective top front right view of an item locator, showing my new design;
FIG. 2 is a perspective top rear left view thereof;
FIG. 3 is a front elevation view thereof;
FIG. 4 is a rear elevation view thereof;
FIG. 5 is a right elevation view thereof;
FIG. 6 is a left elevation view thereof;
FIG. 7 is a top plan view thereof; and,
FIG. 8 is a bottom plan view thereof.

1 Claim, 8 Drawing Sheets



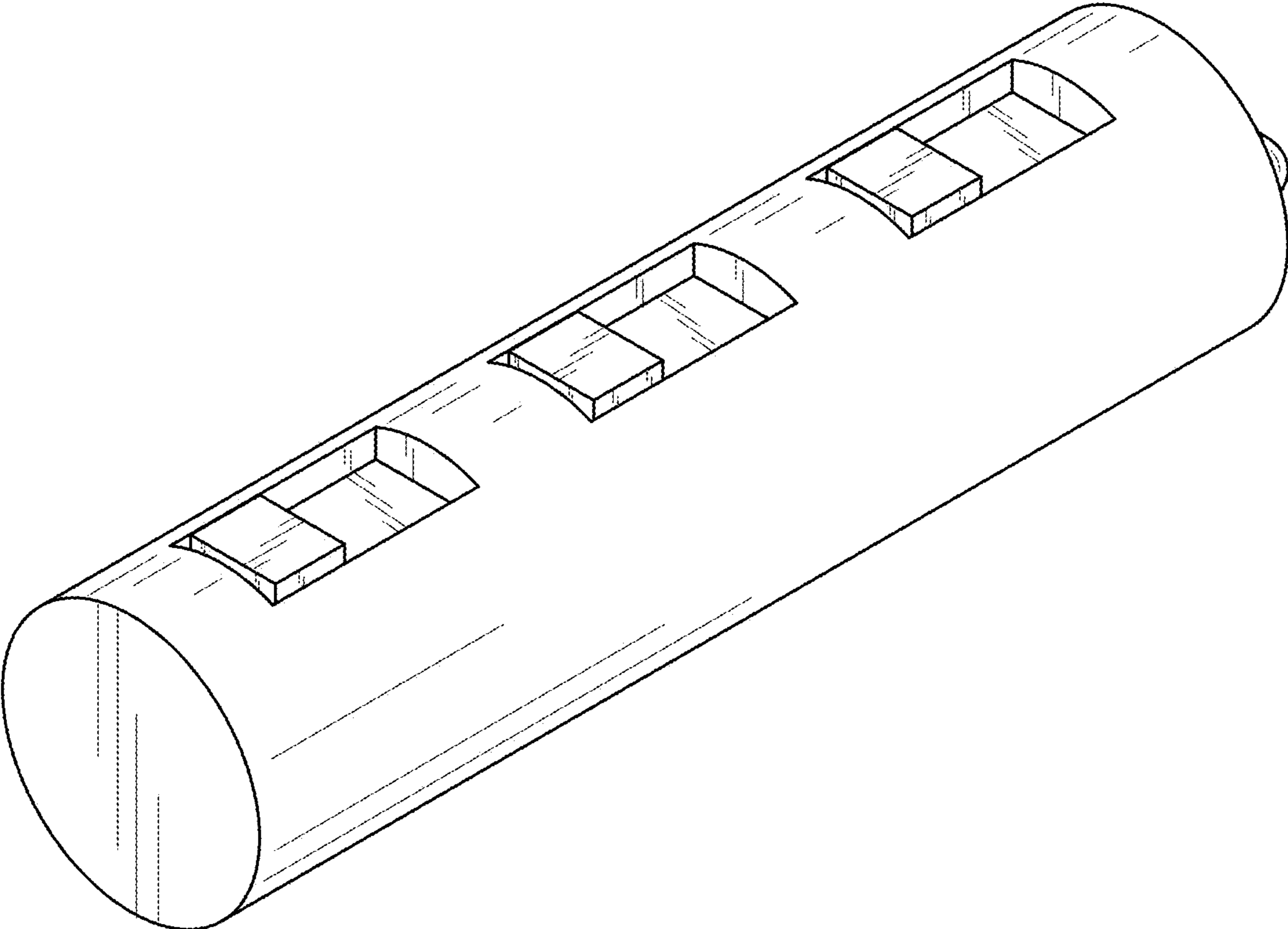


FIG. 1

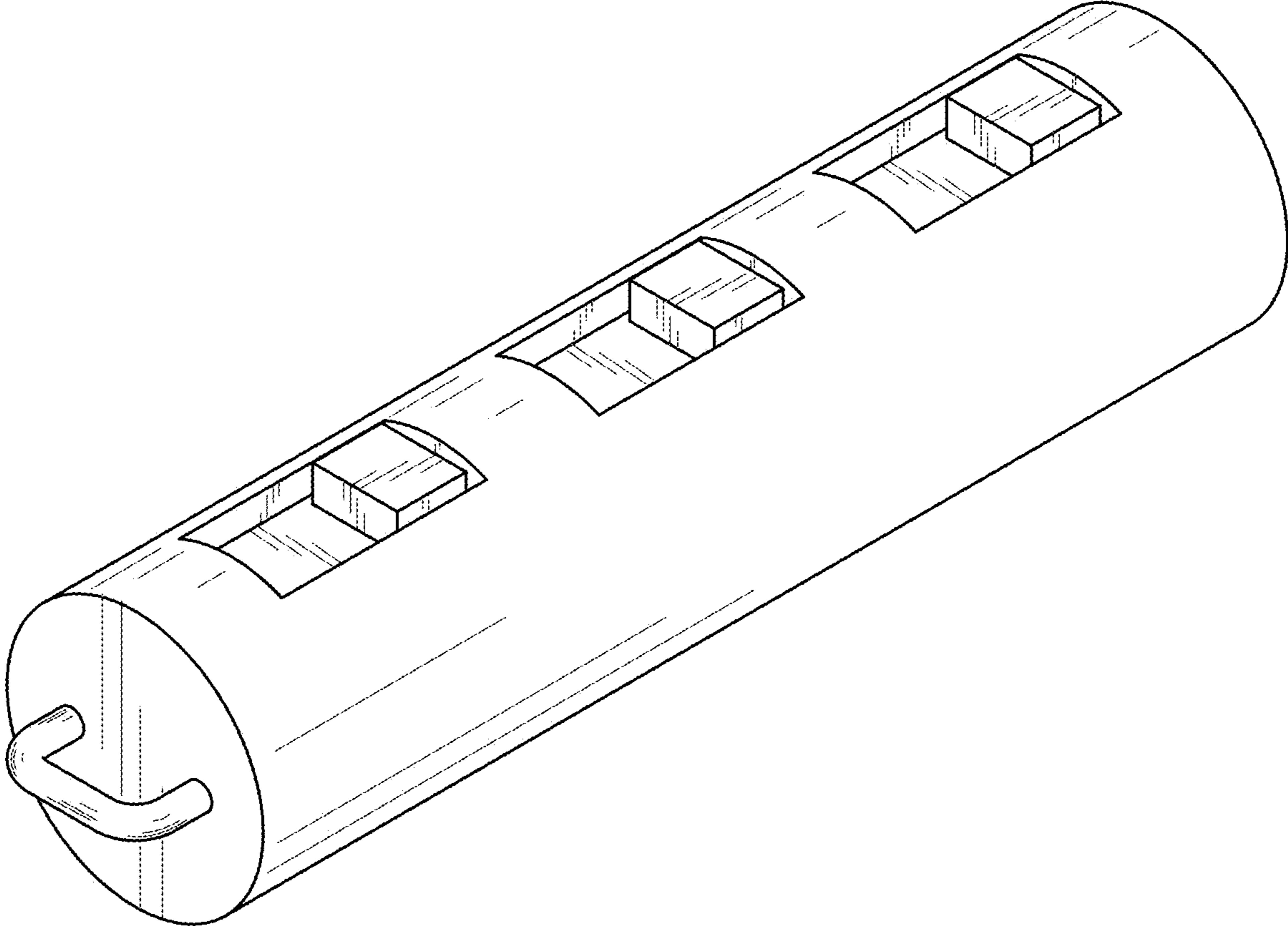


FIG. 2

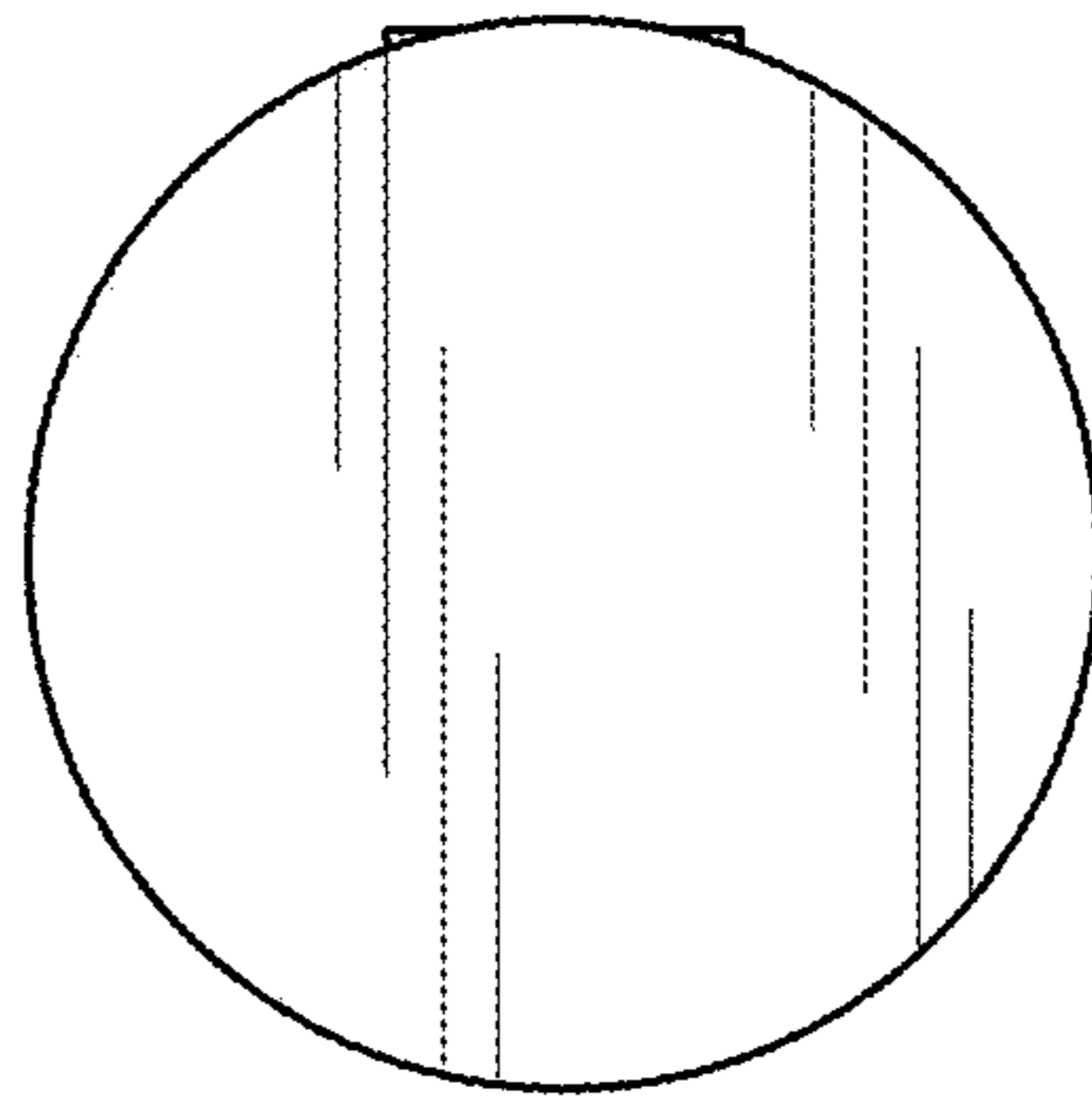


FIG. 3

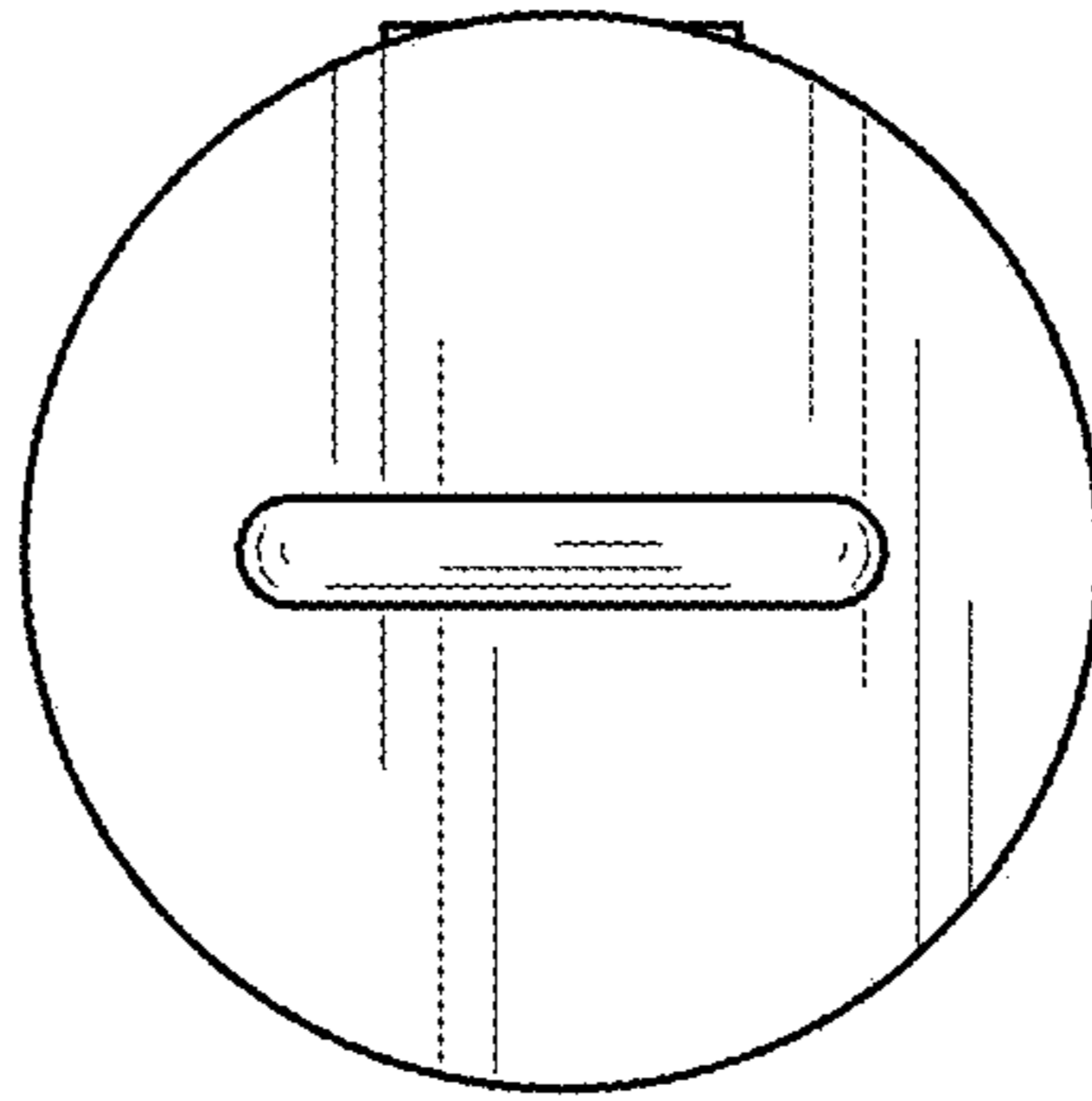


FIG. 4

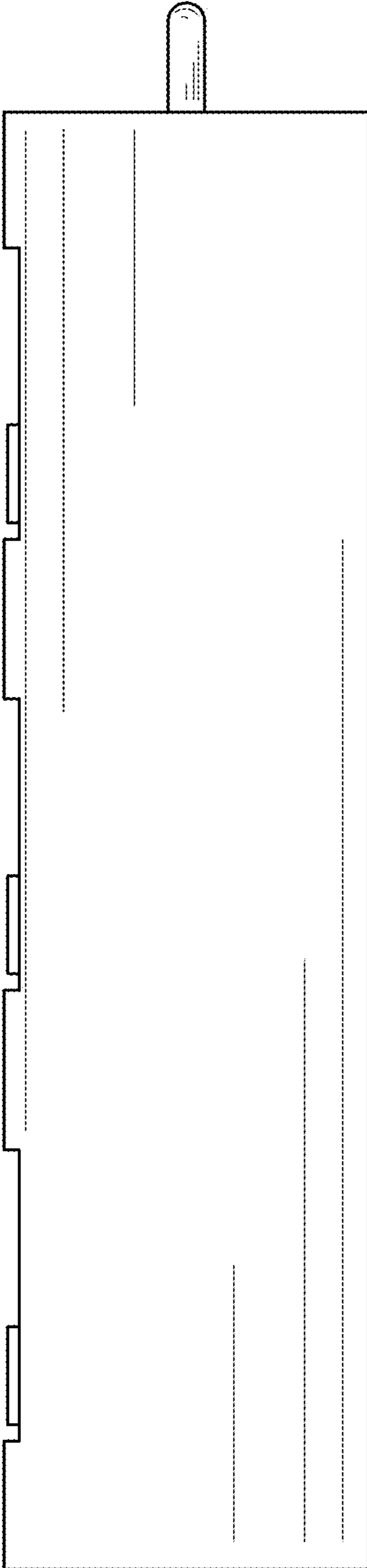


FIG. 5

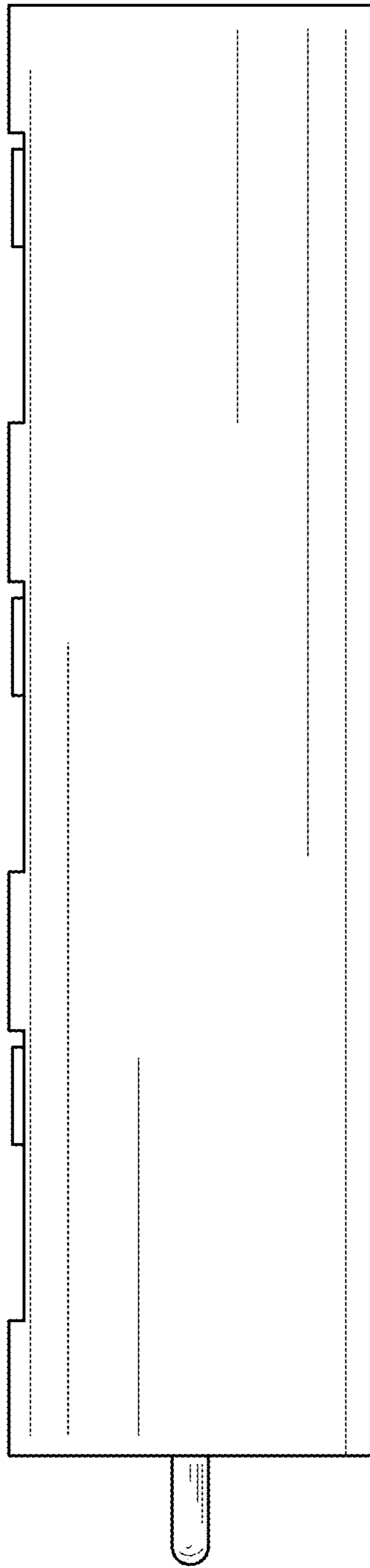


FIG. 6

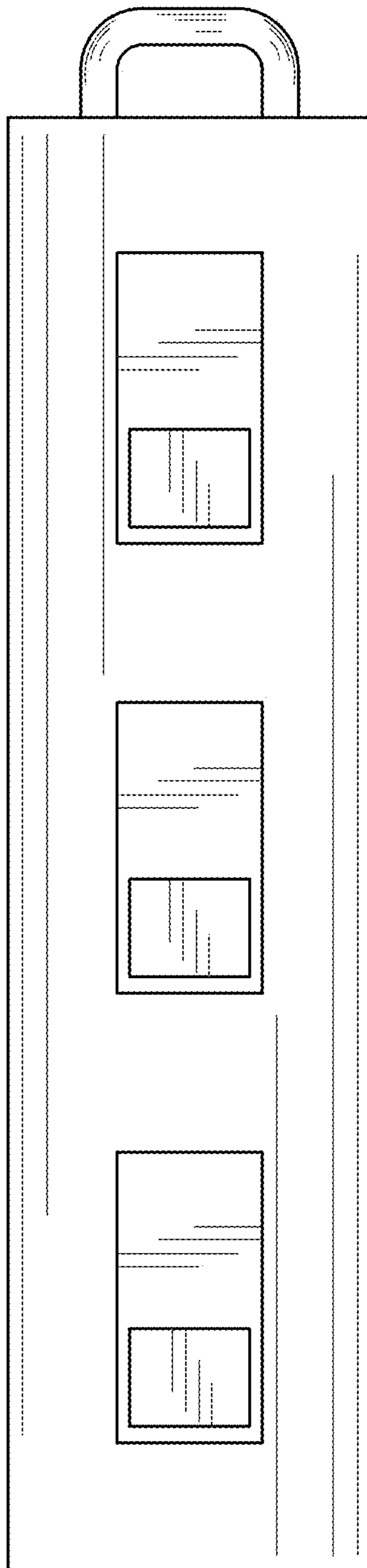


FIG. 7

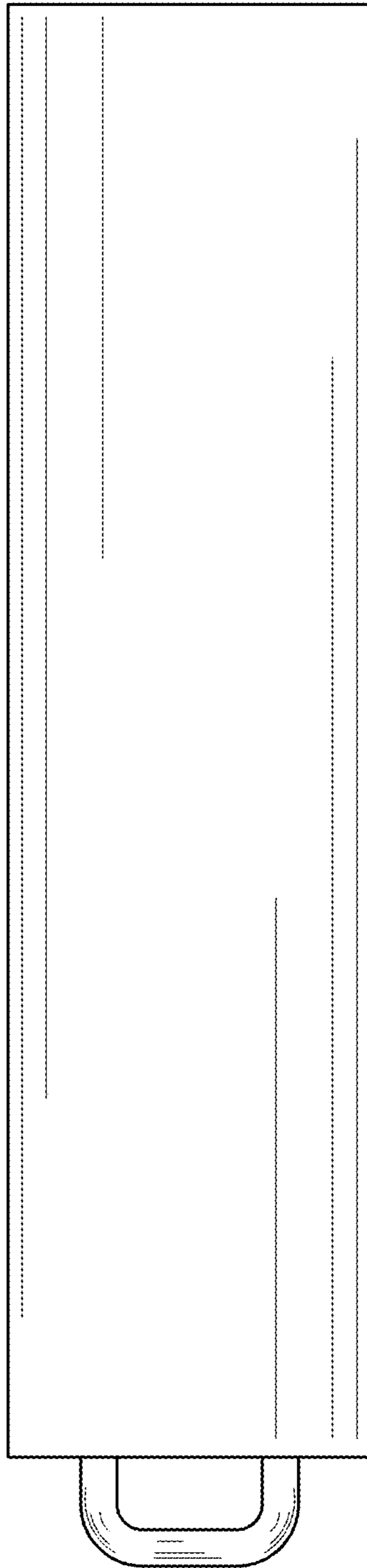


FIG. 8