



US00D883123S

(12) **United States Design Patent**
Cai et al.

(10) **Patent No.:** **US D883,123 S**
(45) **Date of Patent:** **** May 5, 2020**

(54) **CALIBRATOR FOR A SENSOR ON A VEHICLE**

(71) Applicant: **AUTEL INTELLIGENT TECHNOLOGY CORP., LTD.**,
Shenzhen, Guangdong (CN)

(72) Inventors: **Zhenyu Cai**, Guangdong (CN);
Xiaolong Wang, Guangdong (CN)

(73) Assignee: **AUTEL INTELLIGENT TECHNOLOGY CORP., LTD.**,
Shenzhen (CN)

(**) Term: **15 Years**

(21) Appl. No.: **29/666,787**

(22) Filed: **Oct. 16, 2018**

(30) **Foreign Application Priority Data**

Apr. 20, 2018 (CN) 2018 3 0166405

(51) **LOC (12) Cl.** **10-04**

(52) **U.S. Cl.**
USPC **D10/103**

(58) **Field of Classification Search**
USPC D10/46, 65, 70, 103; D8/349, 354, 363,
D8/376, 380

CPC G08G 1/16; G08G 1/161; G08G 1/162;
G08G 1/163; G08G 1/164; G08G 1/165;
G08G 1/166; G08G 1/167; G08G 1/168;
G01S 17/023; G01S 17/936; G01S
7/52004; G01S 7/4972; G01S 7/40; G01S
2013/93274; G01S 17/931; G01S 15/931;
G01S 13/931; H04N 5/232; H04N 5/33;
H04N 7/183; B60W 50/0205; B60W
50/04; B60W 2550/10; B60W 2050/0215;
B60W 2050/0089; B60W 2050/0083;
B60W 50/045; B60W 2050/046; B60W

2050/021; B60W 50/14; G06T 1/20;
G06T 15/04; G06T 15/005; G06T 7/00;
G06T 11/001; G06T 11/40; G06T
2207/10024; G09G 5/397; G09G 5/395;
G09G 5/363; G09G 5/02; G09G 2360/18;
G09G 2360/08; B60R 2300/00; G01B
11/27; G05D 1/0061; G05D 1/0011;
G06F 7/00; B60T 7/22; B60T 7/18; B60T
8/34; B60T 13/745; B60T 2201/022;
B60T 7/16; G09B 19/14; F16H 7/14;
G01L 5/28; G01M 17/007; G01M
17/0078

See application file for complete search history.

(56) **References Cited**

U.S. PATENT DOCUMENTS

D863,079 S * 10/2019 Cai D10/65

* cited by examiner

Primary Examiner — Antoine Duval Davis

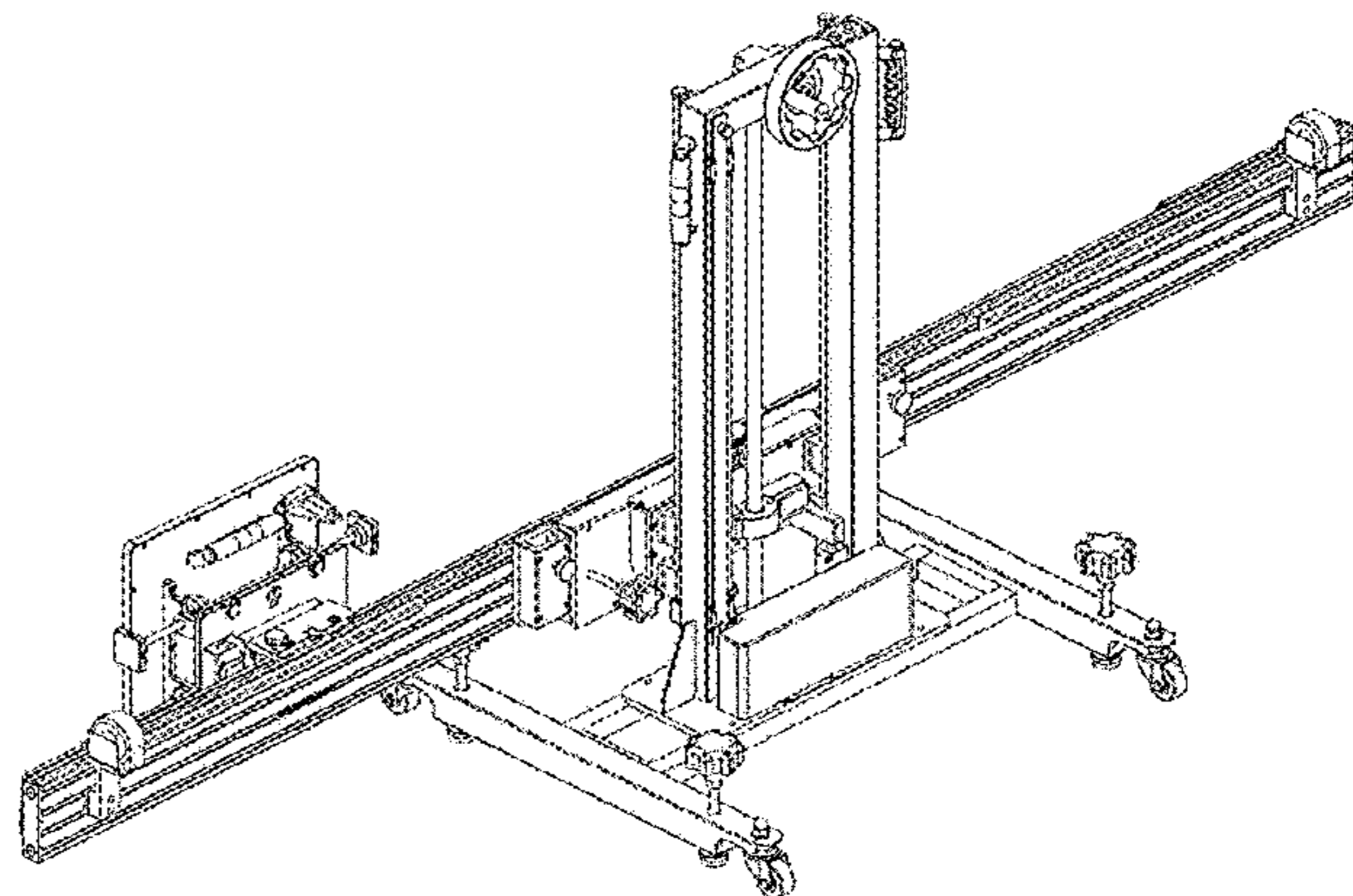
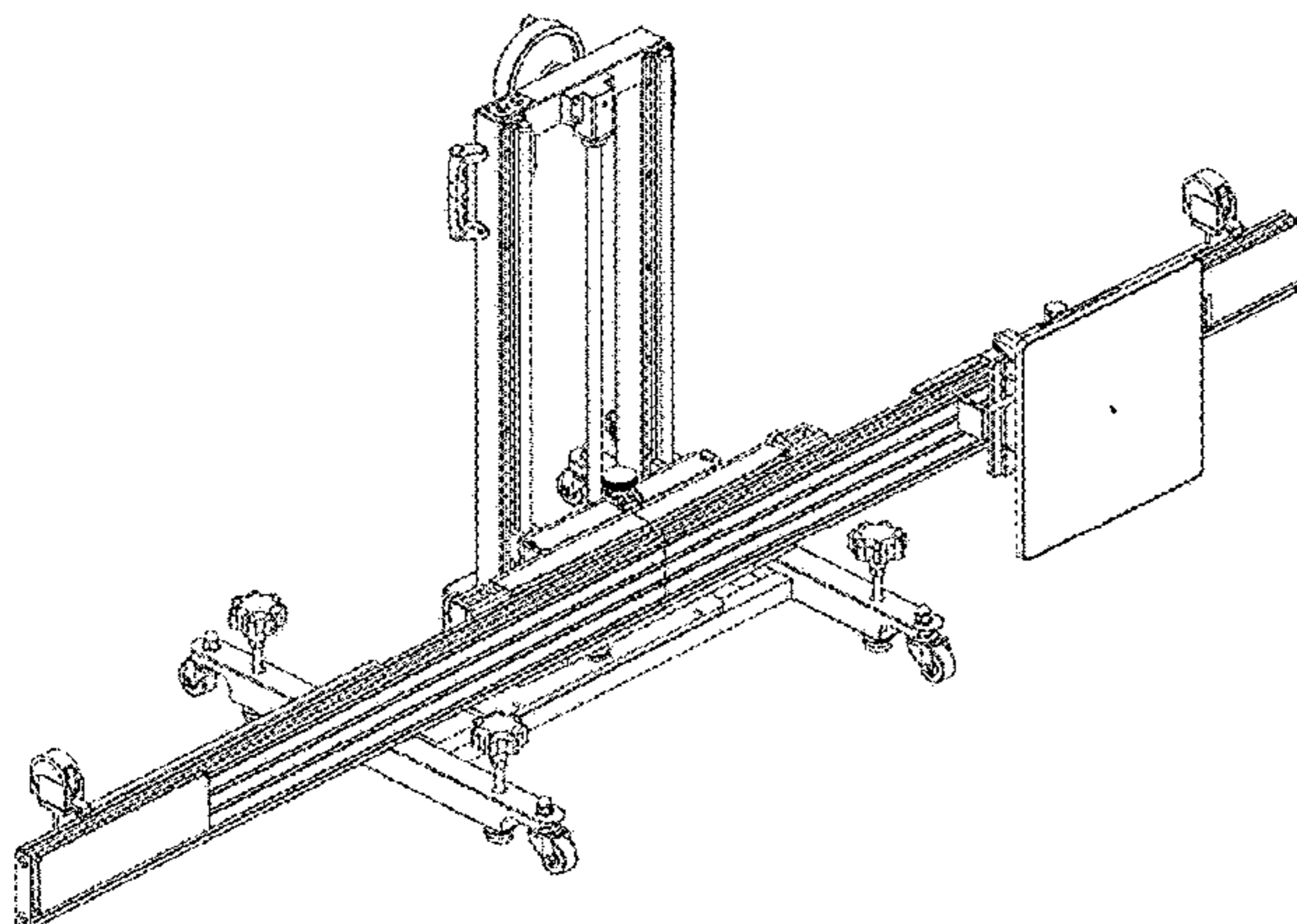
(57) **CLAIM**

The ornamental design for a calibrator for a sensor on a vehicle, as shown and described.

DESCRIPTION

FIG. 1 is a front elevational view of a calibrator for a sensor on a vehicle, showing our new design;
FIG. 2 is a back elevational view thereof;
FIG. 3 is a left side elevational view thereof;
FIG. 4 is a right side elevational view thereof;
FIG. 5 is a top plan view thereof;
FIG. 6 is a bottom plan view thereof;
FIG. 7 is a perspective view thereof; and,
FIG. 8 is another perspective view thereof.

1 Claim, 3 Drawing Sheets



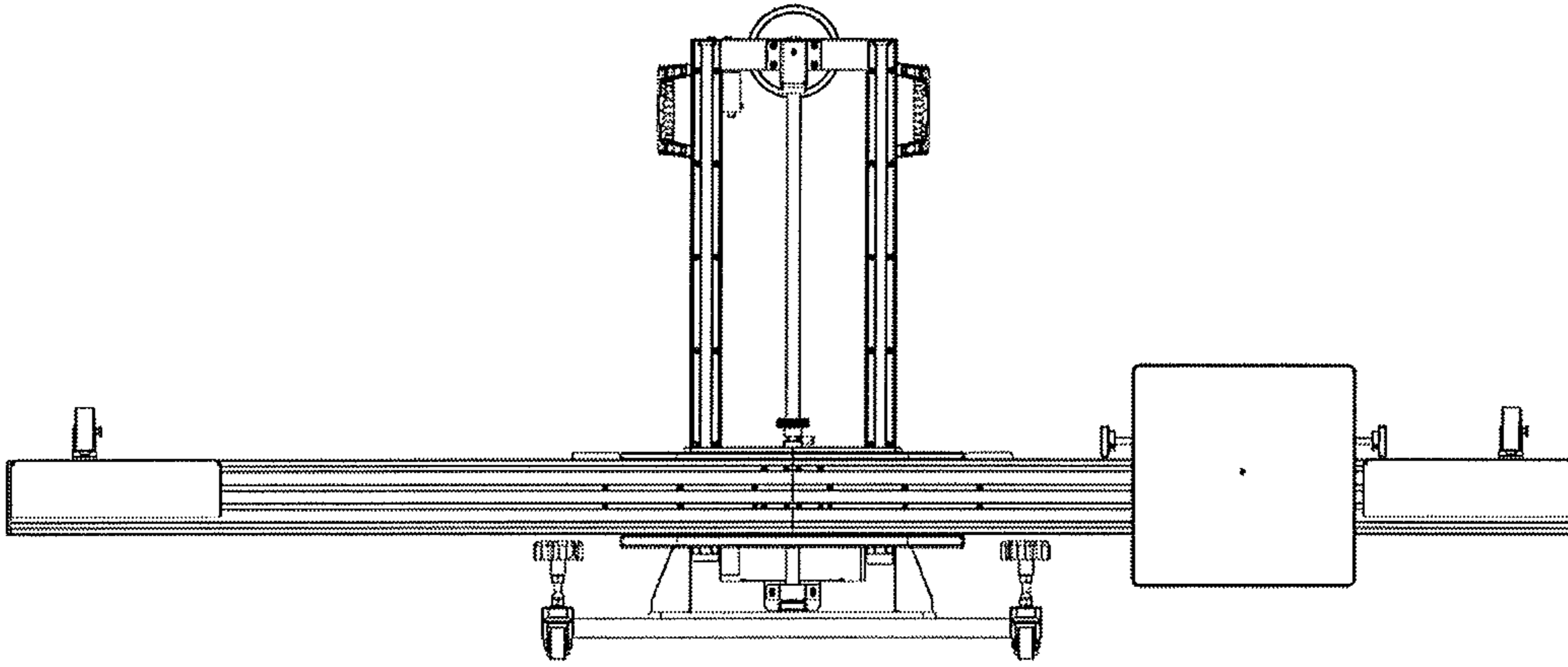


FIG.1

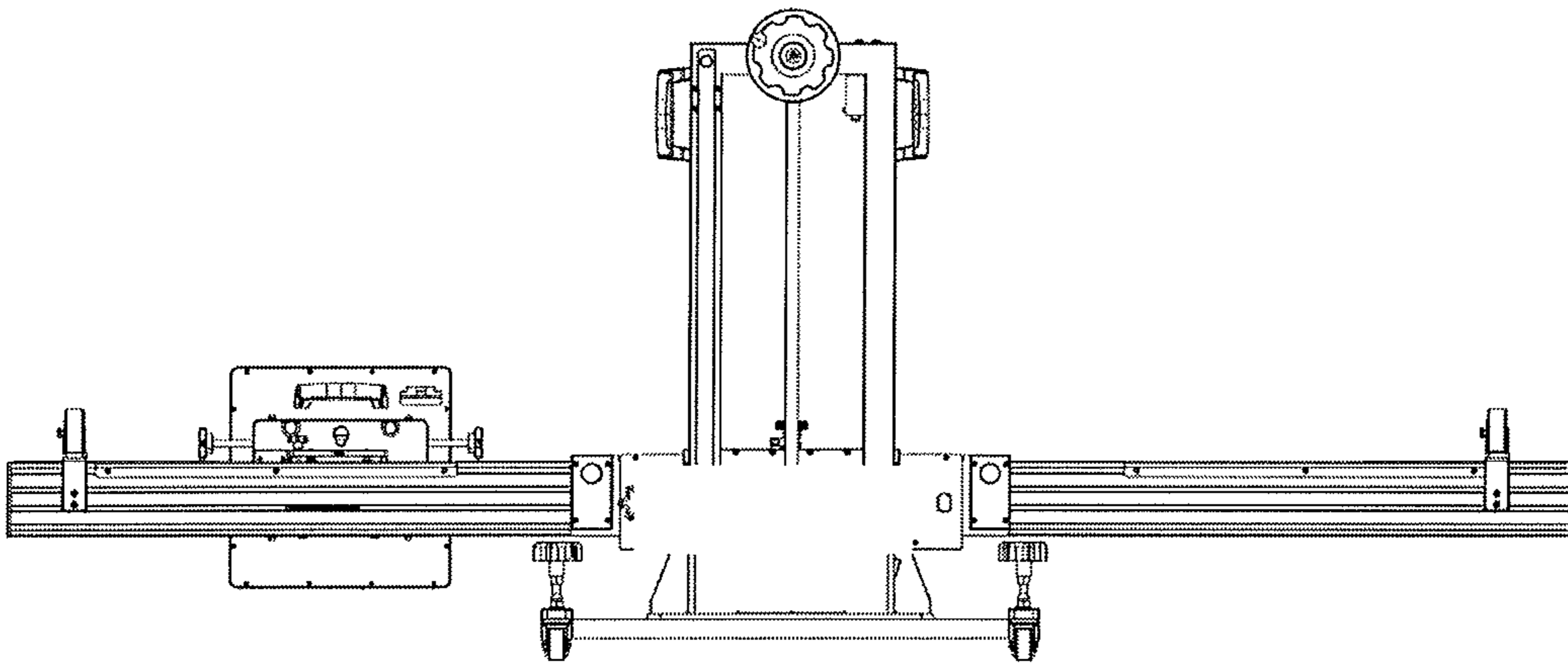


FIG.2

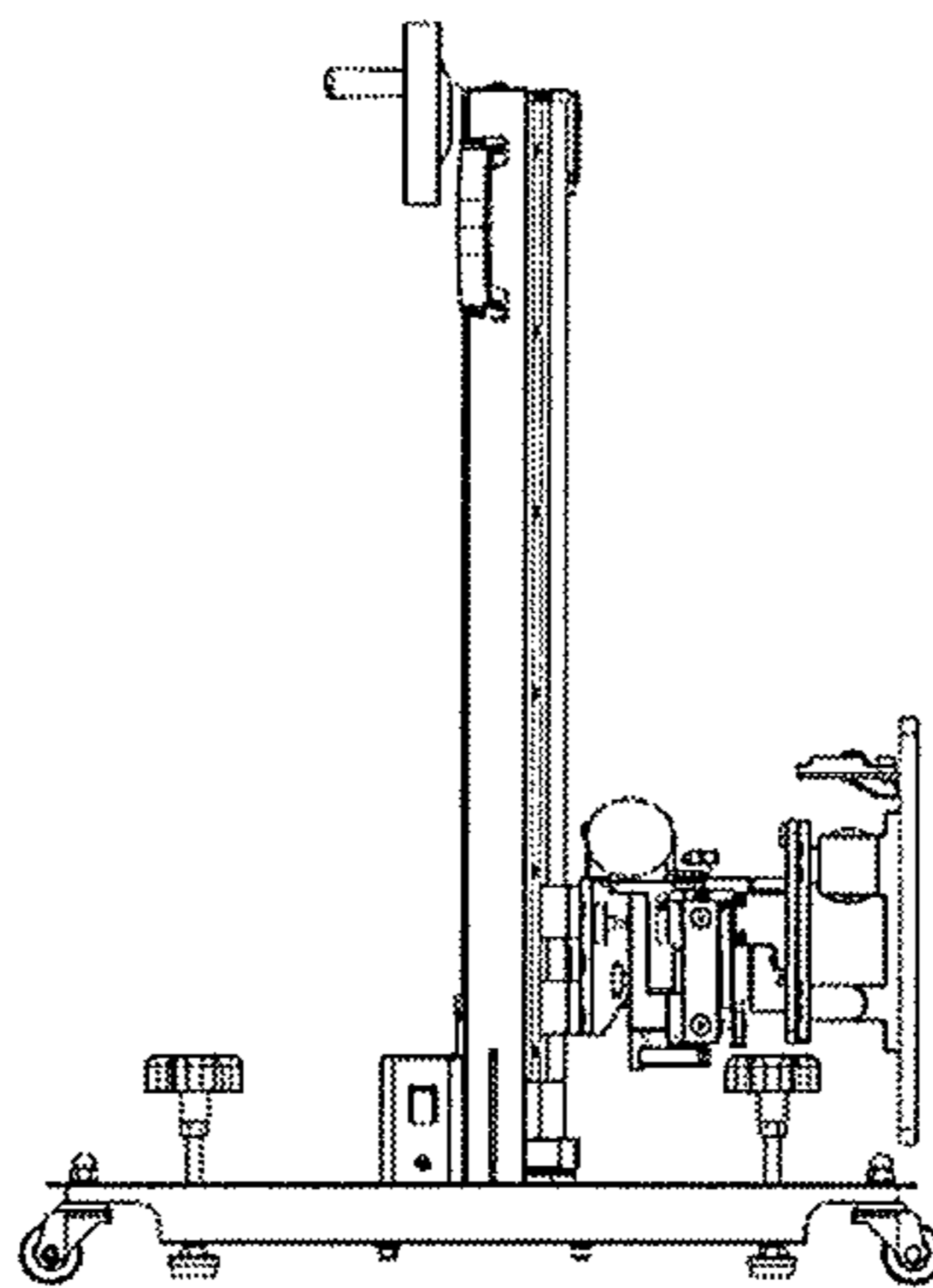


FIG.3

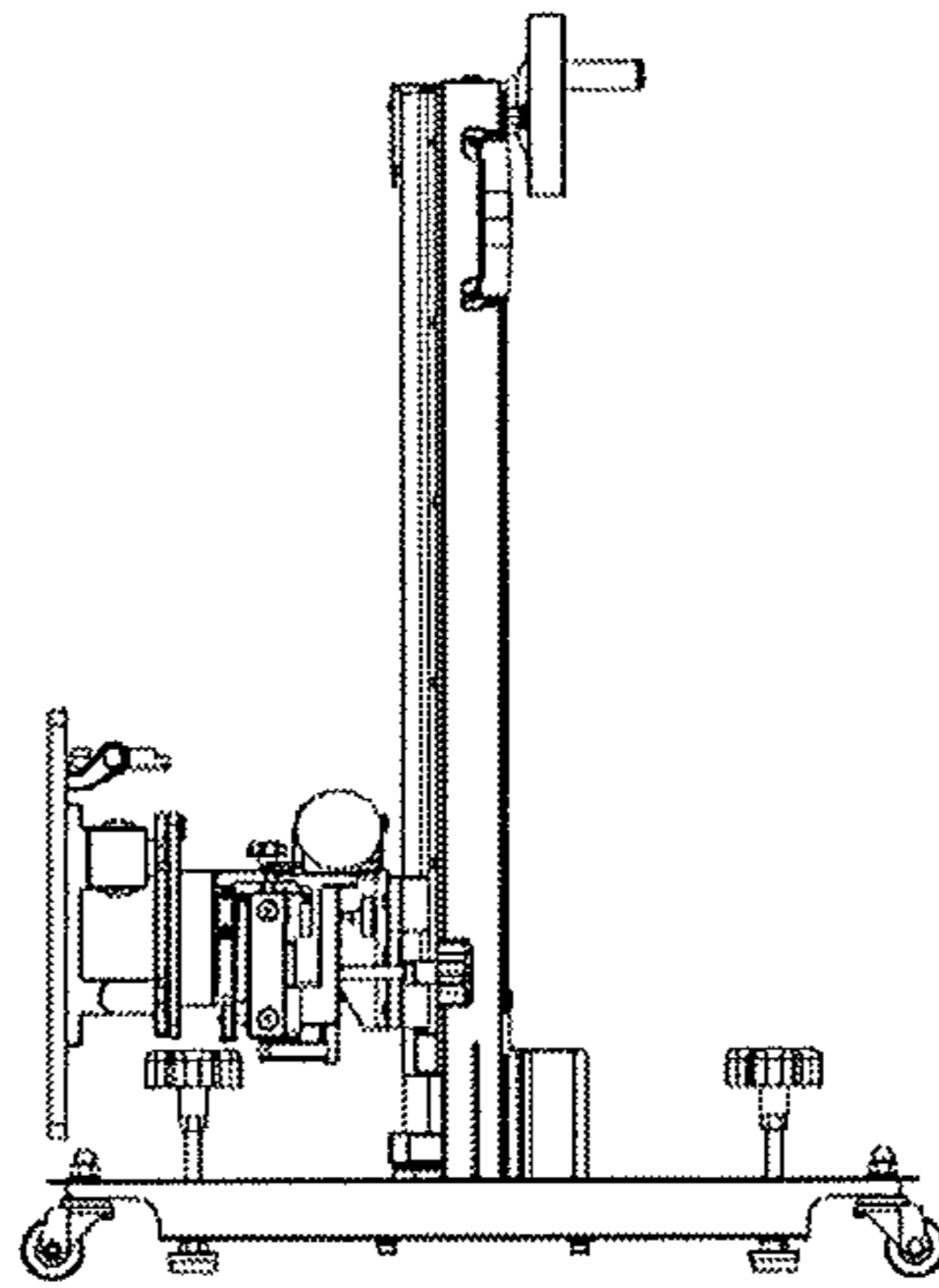


FIG. 4

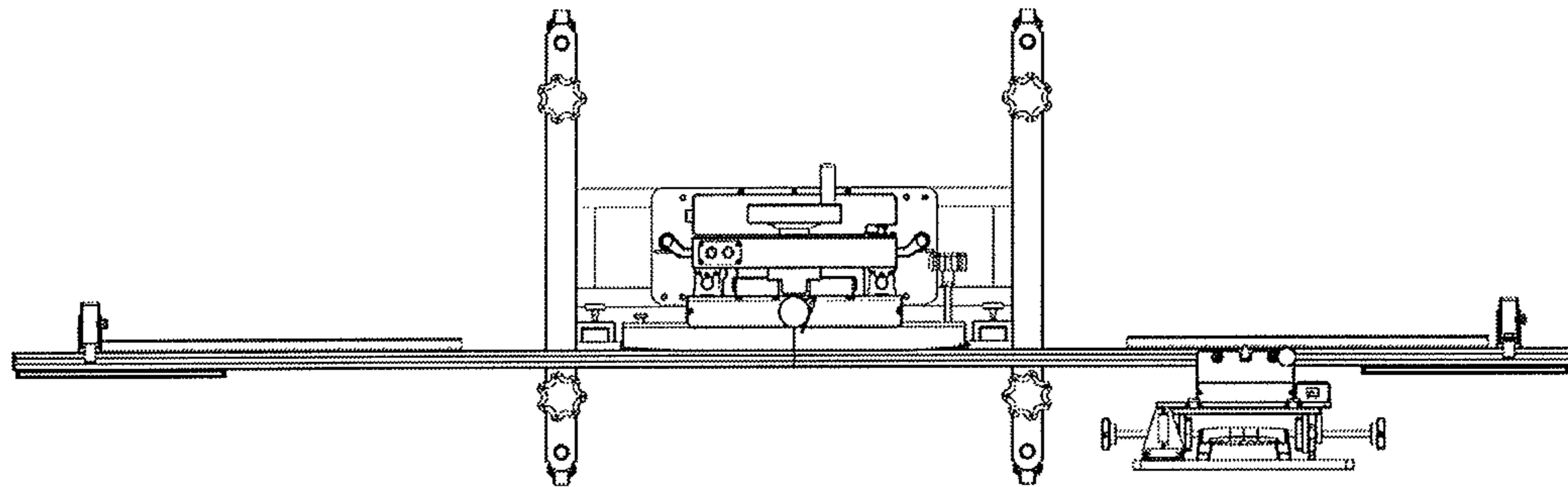


FIG. 5

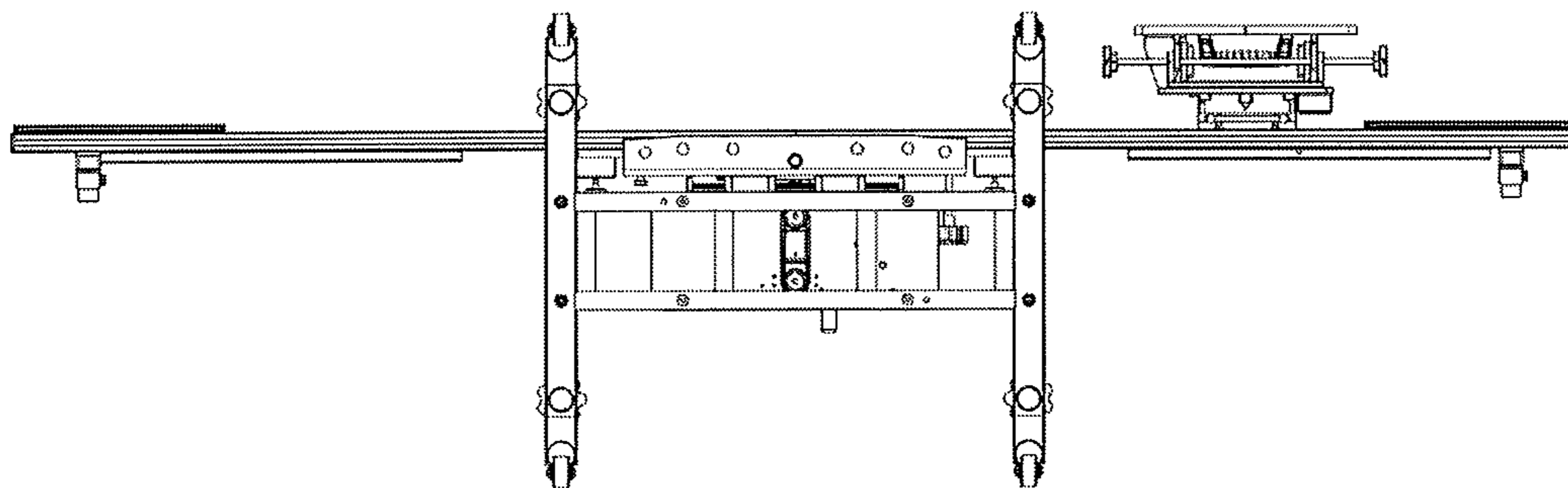


FIG. 6

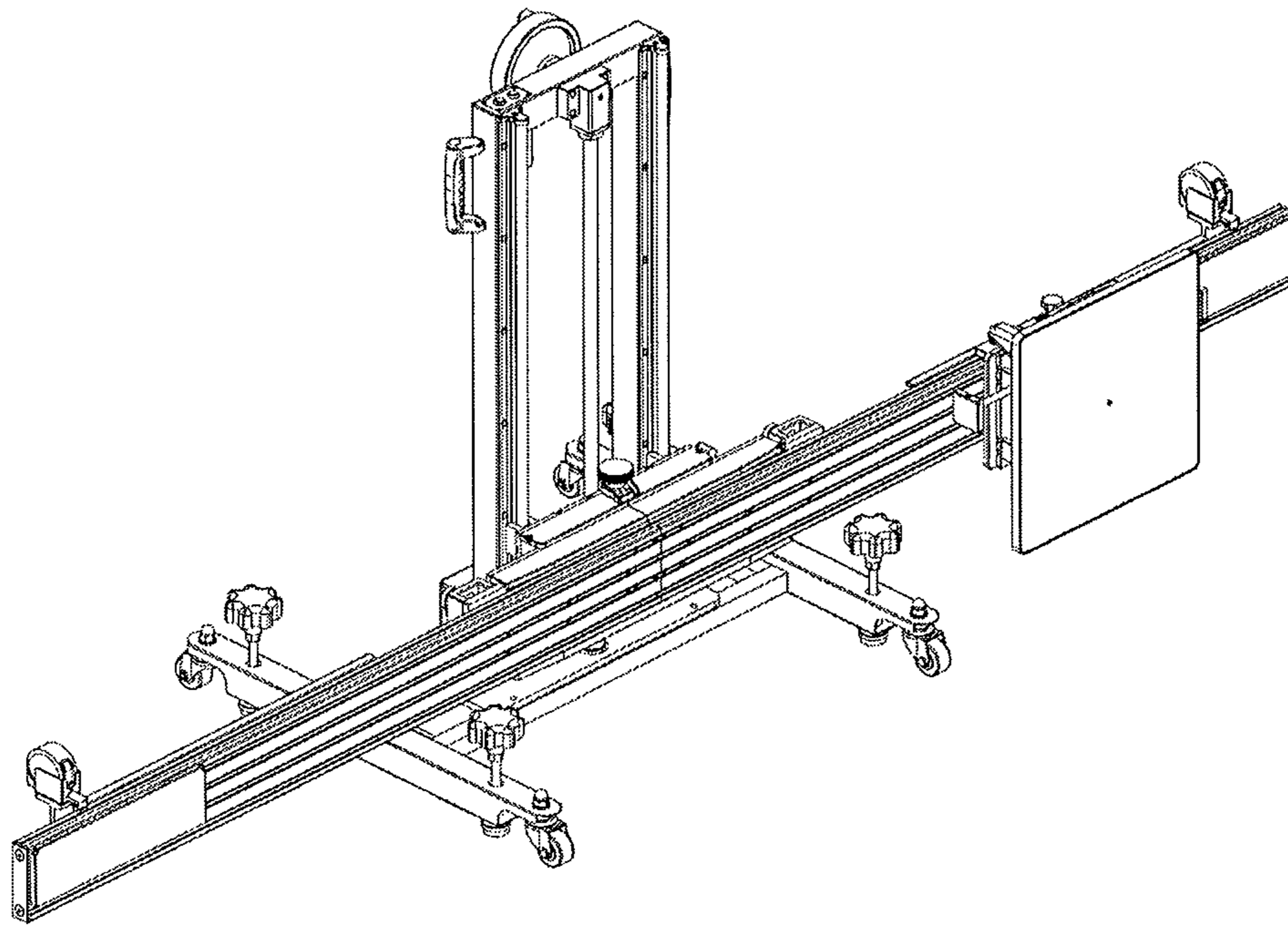


FIG. 7

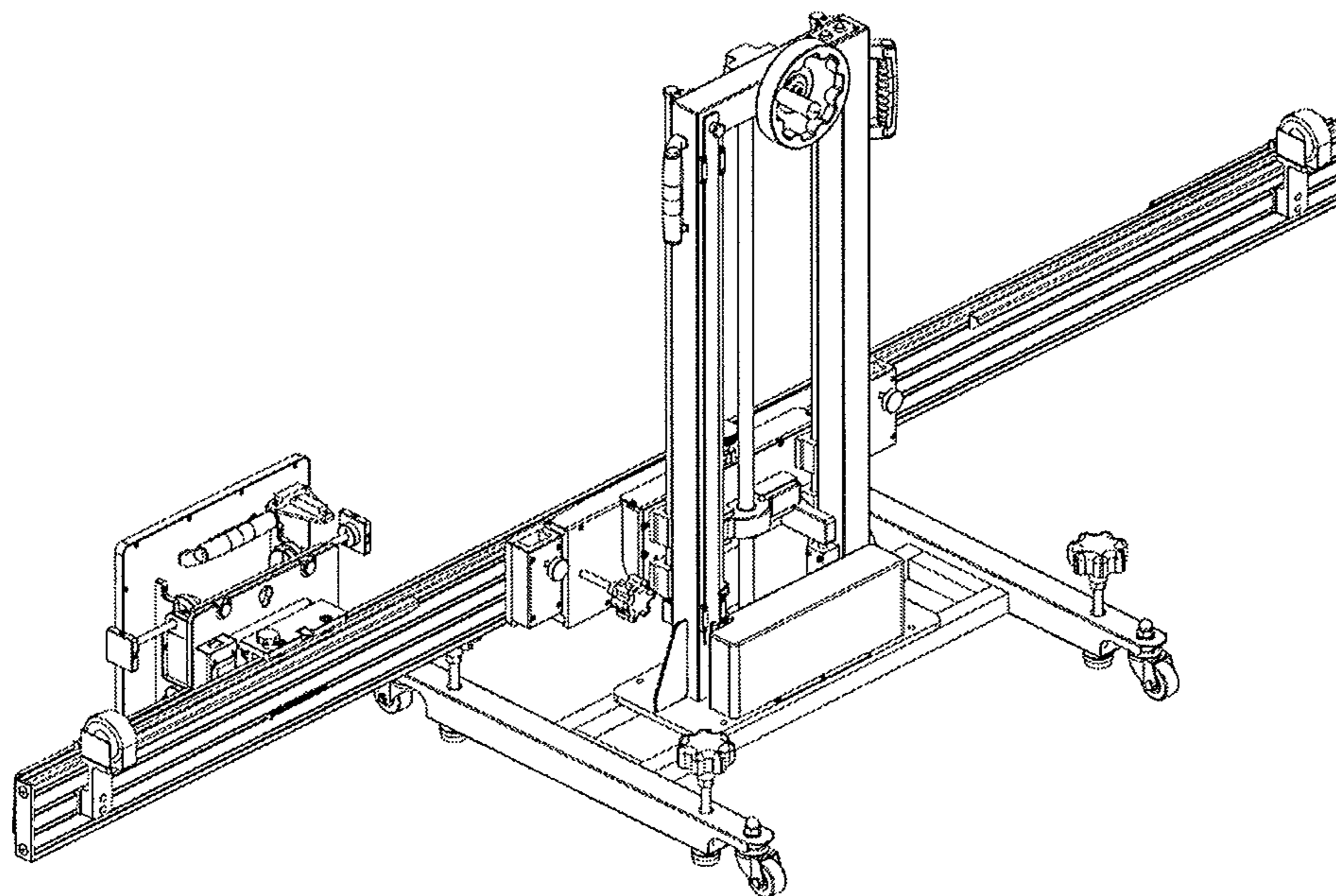


FIG. 8