



US00D883121S

(12) **United States Design Patent**  
**Cai et al.**

(10) **Patent No.:** **US D883,121 S**  
(45) **Date of Patent:** **\*\* May 5, 2020**

(54) **CALIBRATOR FOR A VEHICLE**  
(71) Applicant: **AUTEL INTELLIGENT TECHNOLOGY CORP., LTD.**,  
Shenzhen, Guangdong (CN)  
(72) Inventors: **Zhenyu Cai**, Guangdong (CN);  
**Xiaolong Wang**, Guangdong (CN)  
(73) Assignee: **AUTEL INTELLIGENT TECHNOLOGY CORP., LTD.**,  
Shenzhen (CN)

(\*\*) Term: **15 Years**

(21) Appl. No.: **29/666,779**

(22) Filed: **Oct. 16, 2018**

(30) **Foreign Application Priority Data**

Apr. 20, 2018 (CN) ..... 2018 3 0166392

(51) **LOC (12) Cl.** ..... **10-04**

(52) **U.S. Cl.**  
USPC ..... **D10/103**

(58) **Field of Classification Search**  
USPC ..... D10/46, 65, 70, 103; D8/349, 354, 363,  
D8/376, 380  
CPC ..... G08G 1/16; G08G 1/161; G08G 1/162;  
G08G 1/163; G08G 1/164; G08G 1/165;  
G08G 1/166; G08G 1/167; G08G 1/168;  
G01S 17/023; G01S 17/936; G01S  
7/52004; G01S 7/4972; G01S 7/40; G01S  
2013/93274; G01S 17/931; G01S 15/931;  
G01S 13/931; H04N 5/232; H04N 5/33;  
H04N 7/183; B60W 50/0205; B60W  
50/045; B60W 2050/046; B60W  
2050/021; B60W 50/14; B60W 50/04;  
B60W 2550/10; B60W 2050/0215; B60W

2050/0089; B60W 2050/0083; G05D  
1/0061; G05D 1/0011; G06T 1/20; G06T  
15/04; G06T 15/005; G06T 7/00; G06T  
11/001; G06T 11/40; G06T 2207/10024;  
G09G 5/397; G09G 5/395; G09G 5/363;  
G09G 5/02; G09G 2360/18; G09G  
2360/08; B60R 2300/00; G01B 11/27;  
G06F 7/00; B60T 7/22; B60T 7/18; B60T  
8/34; B60T 2201/022; B60T 7/16; B60T  
13/745; G09B 19/14; F16H 7/14; G01L  
5/28; G01M 17/007; G01M 17/0078

See application file for complete search history.

(56) **References Cited**

U.S. PATENT DOCUMENTS

D863,079 S \* 10/2019 Cai ..... D10/65

\* cited by examiner

*Primary Examiner* — Antoine Duval Davis

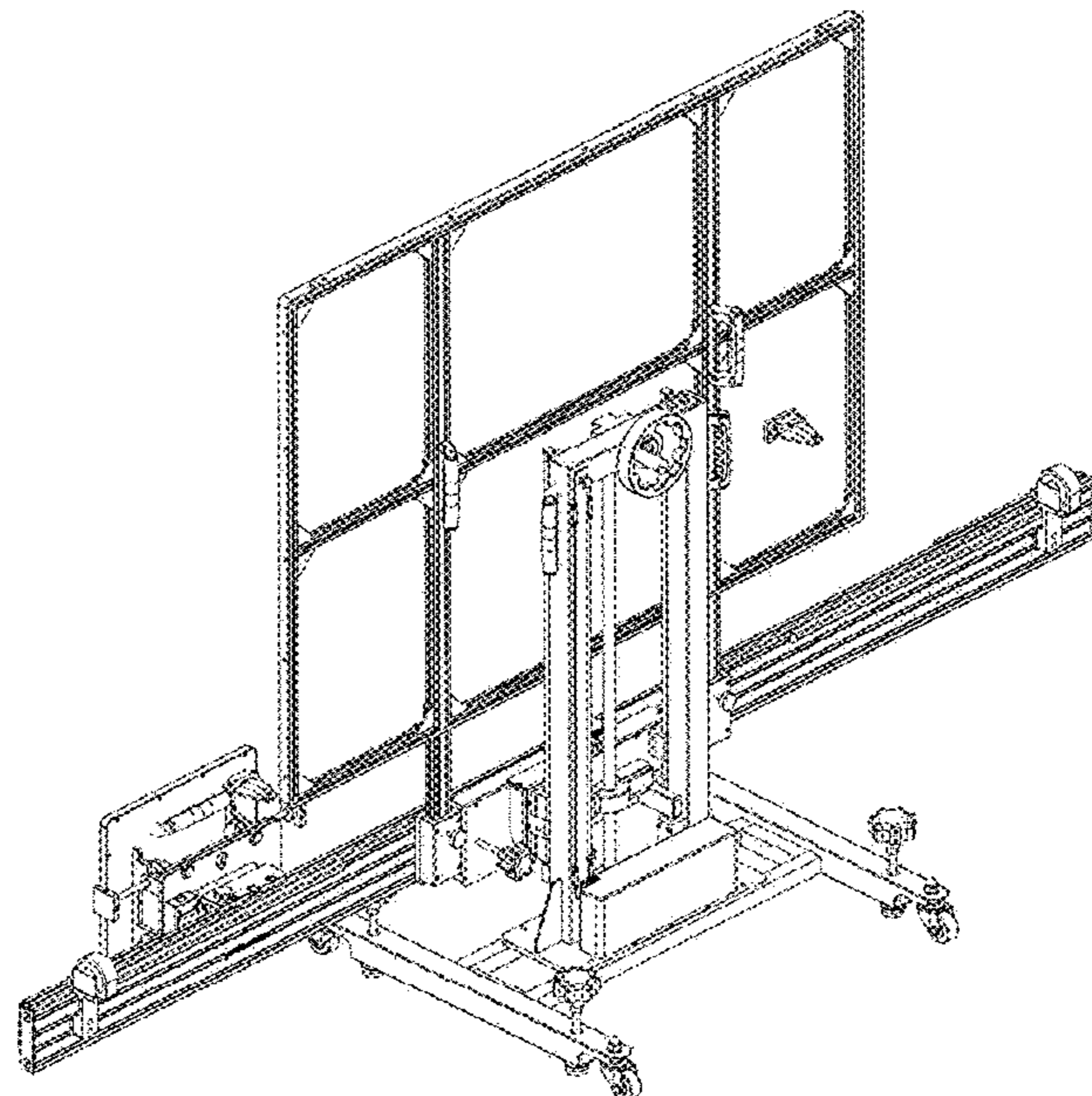
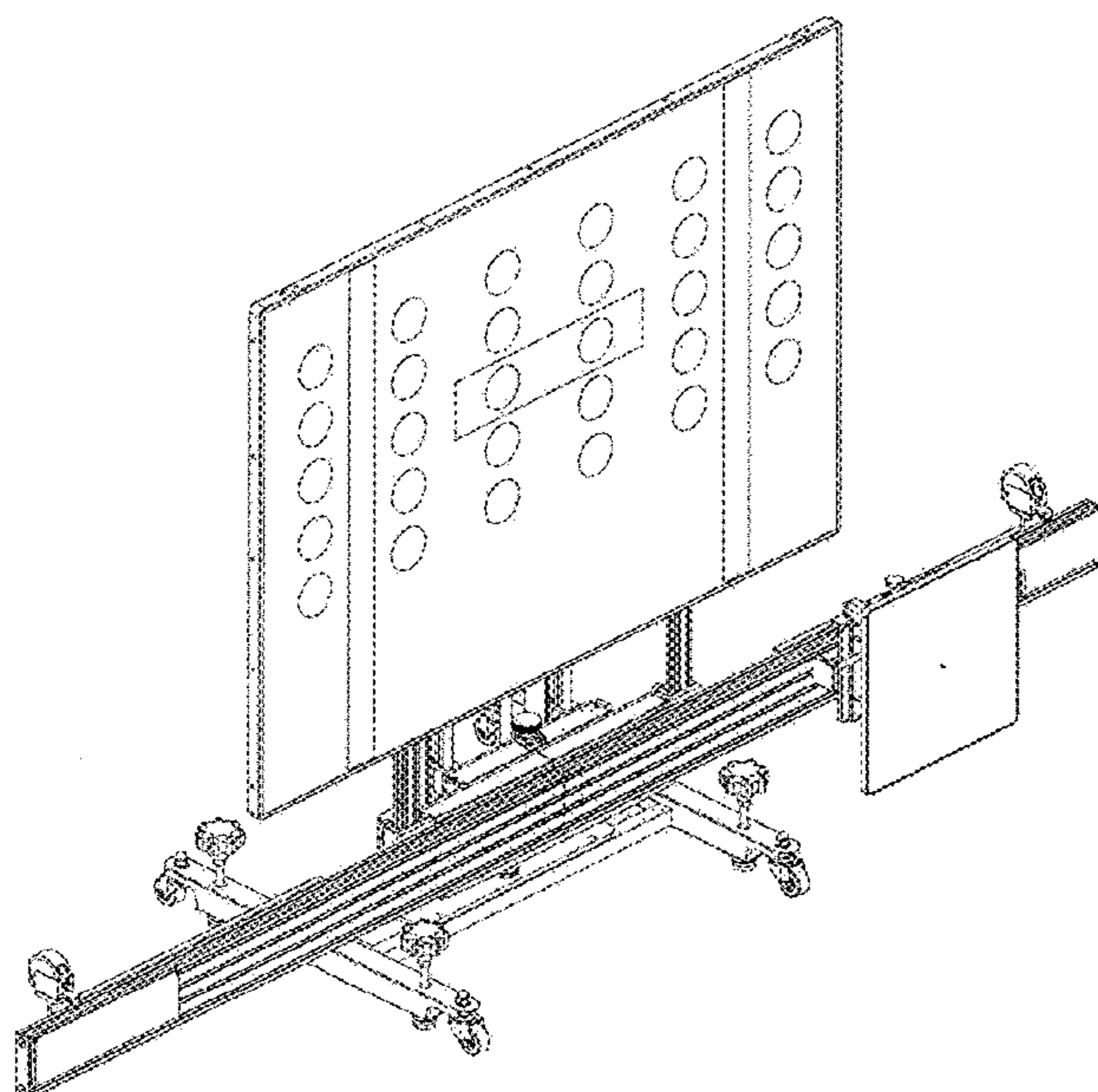
(57) **CLAIM**

The ornamental design for calibrator for a vehicle, as shown and described.

**DESCRIPTION**

FIG. 1 is a front elevational view of a calibrator for a vehicle showing our new design;  
FIG. 2 is a back elevational view thereof;  
FIG. 3 is a left side elevational view thereof;  
FIG. 4 is a right side elevational view thereof;  
FIG. 5 is a top plan view thereof;  
FIG. 6 is a bottom plan view thereof;  
FIG. 7 is a perspective view thereof; and,  
FIG. 8 is another perspective view thereof.

**1 Claim, 4 Drawing Sheets**



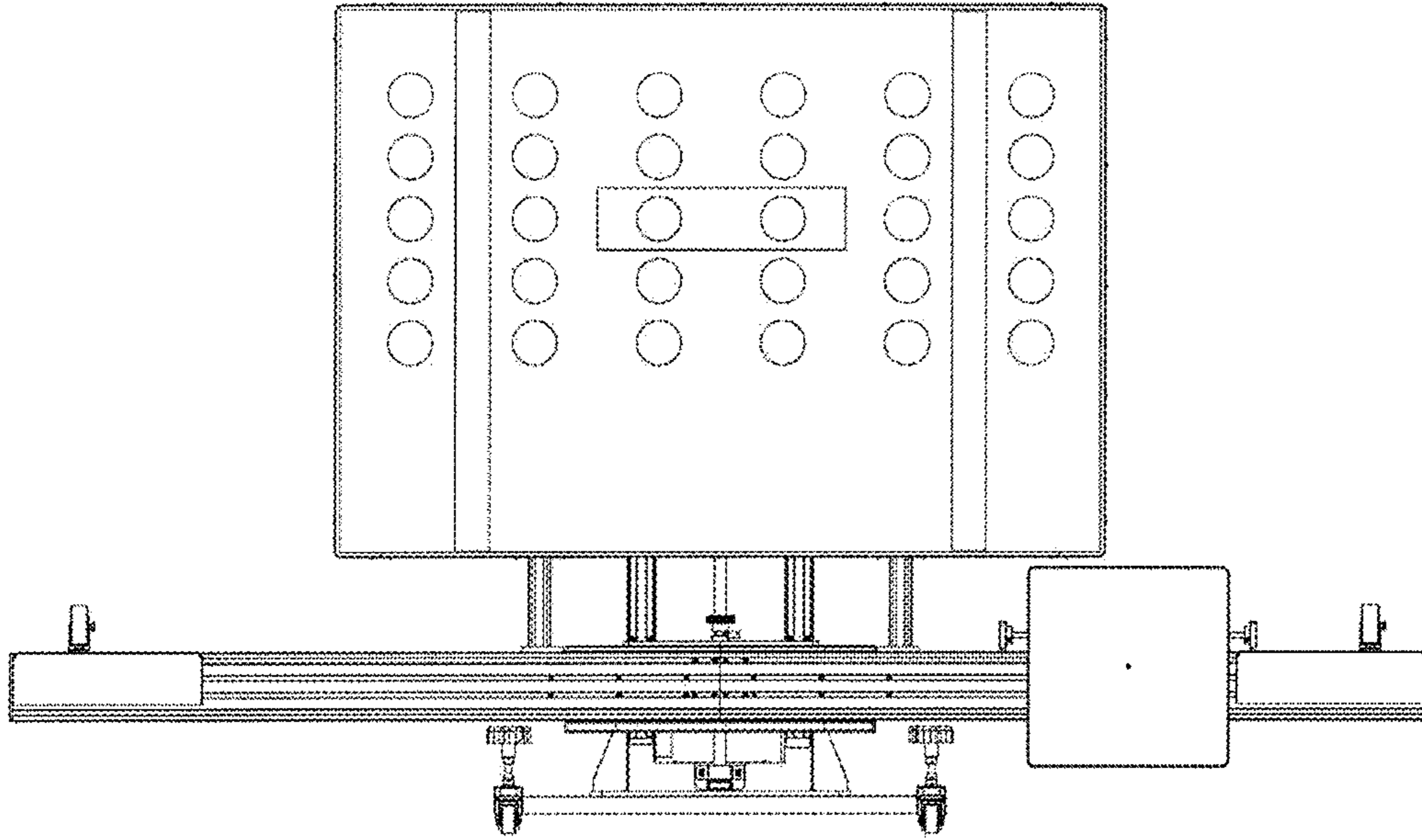


FIG. 1

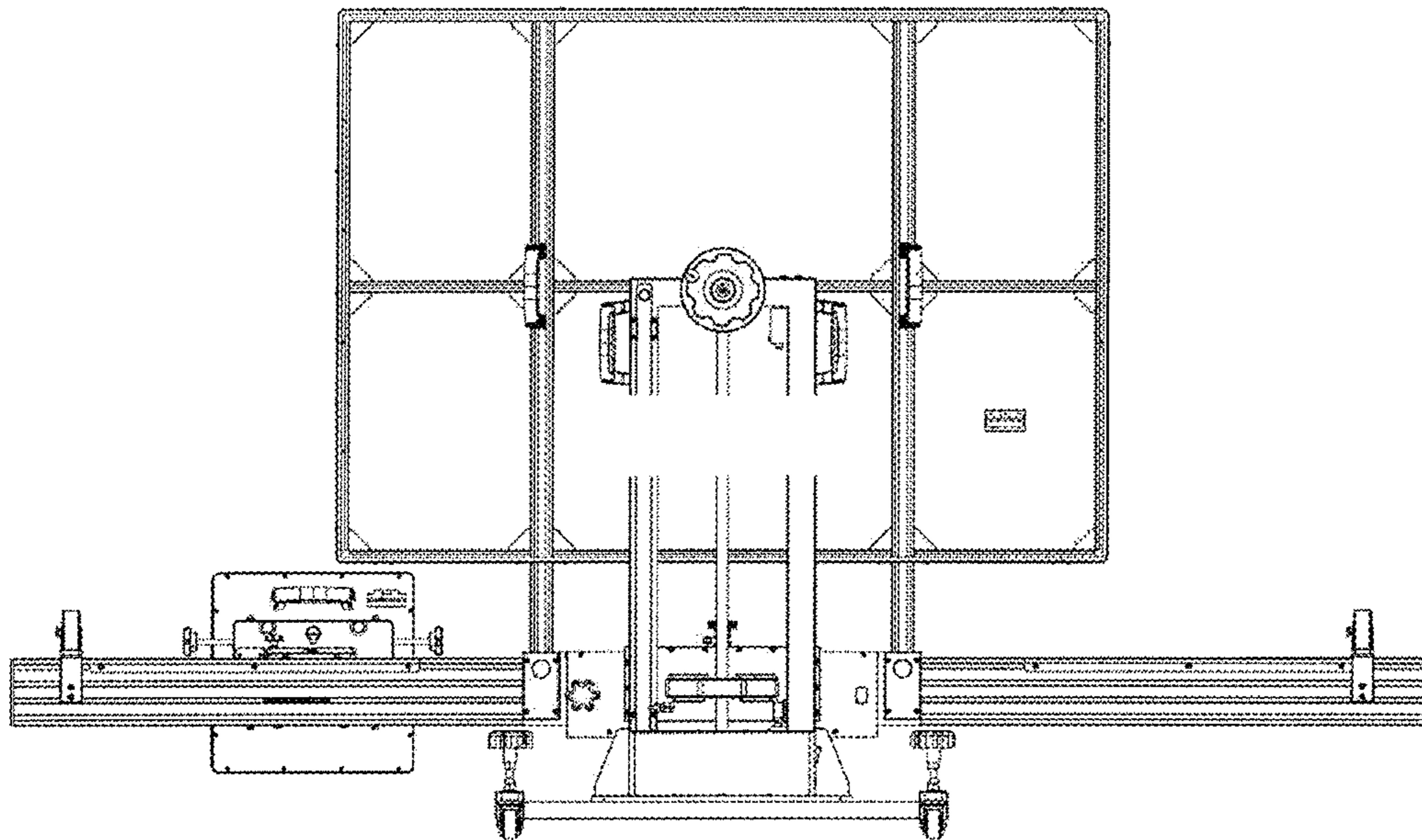


FIG. 2

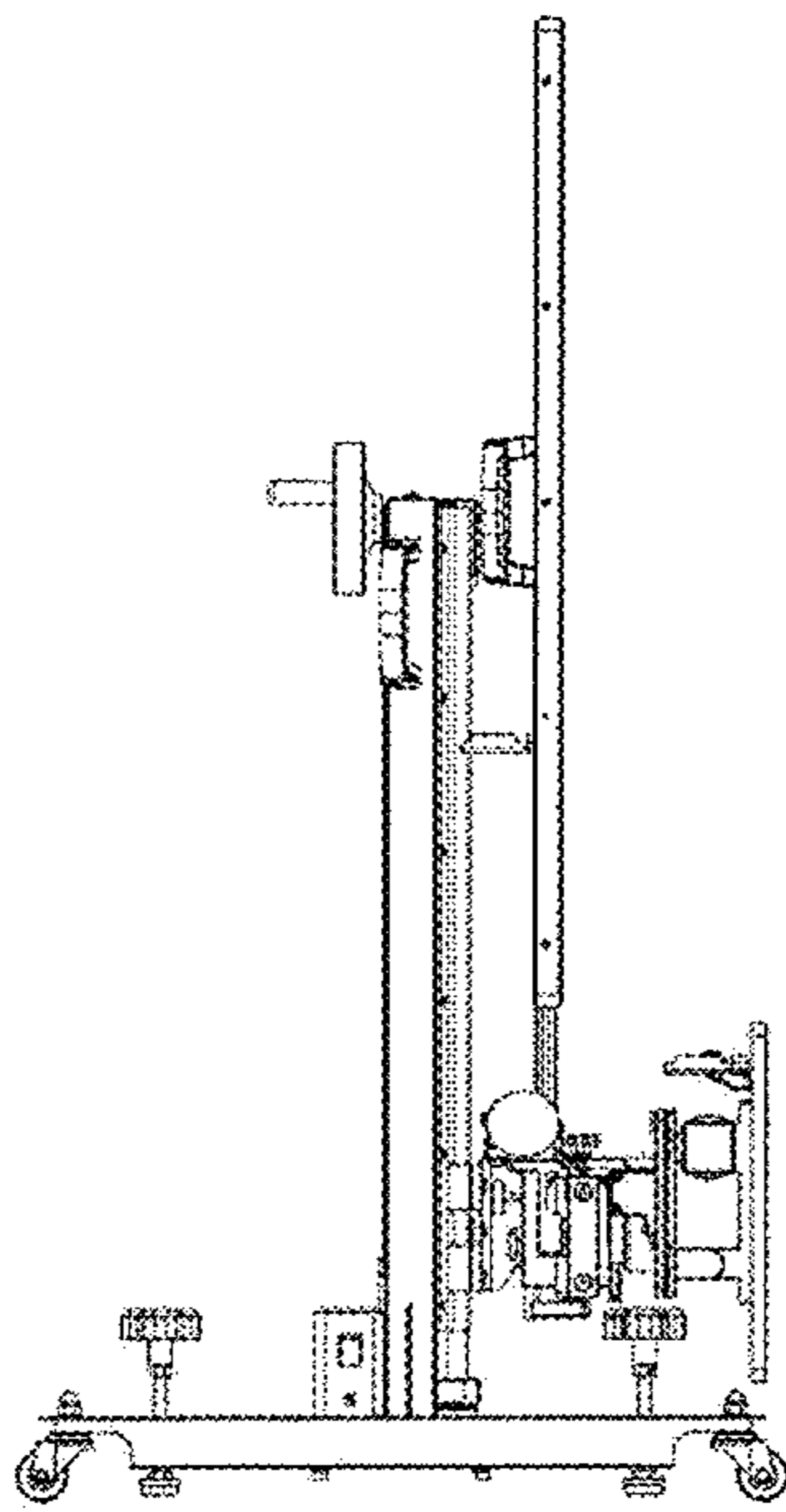


FIG. 3

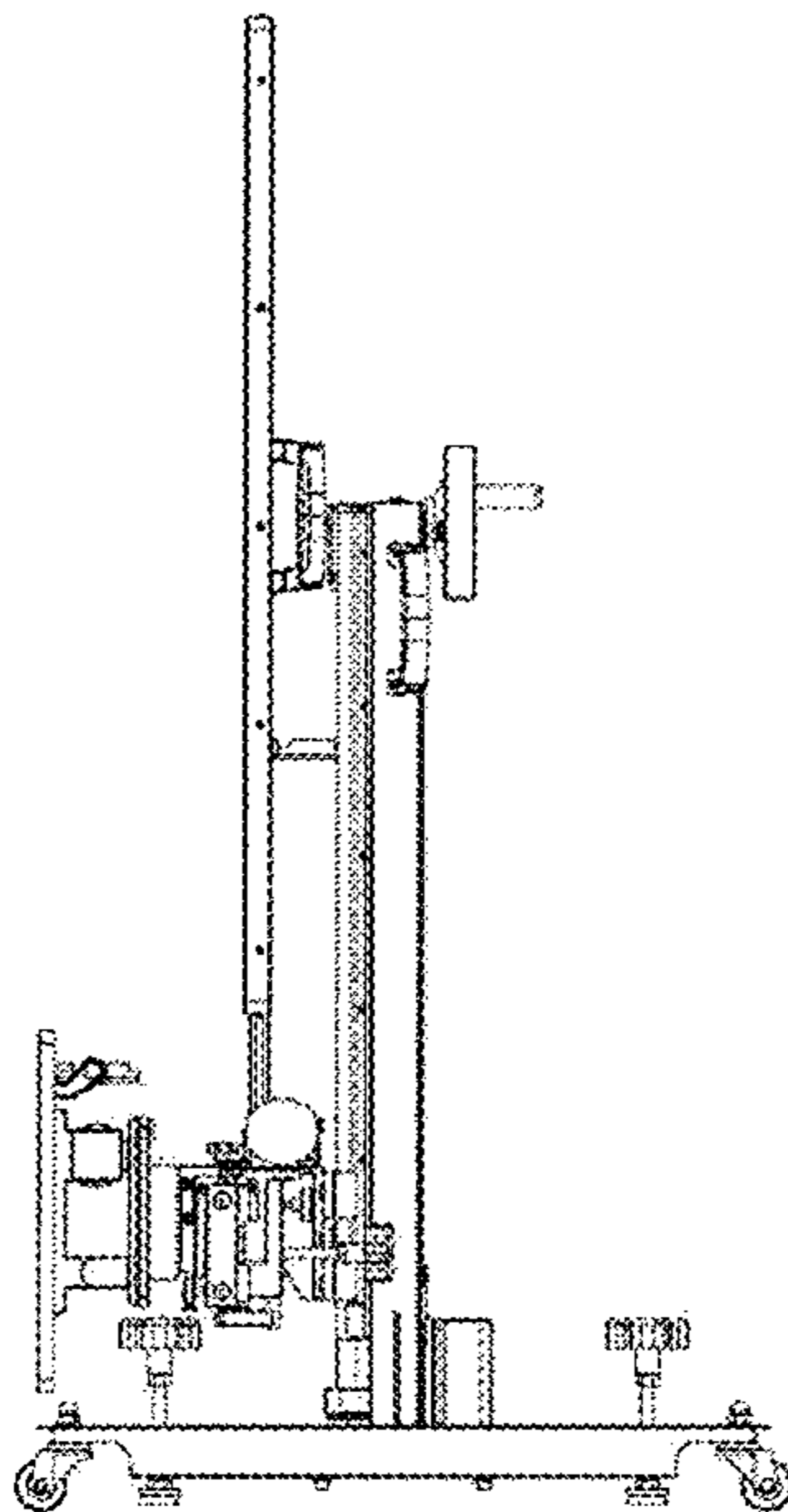


FIG. 4

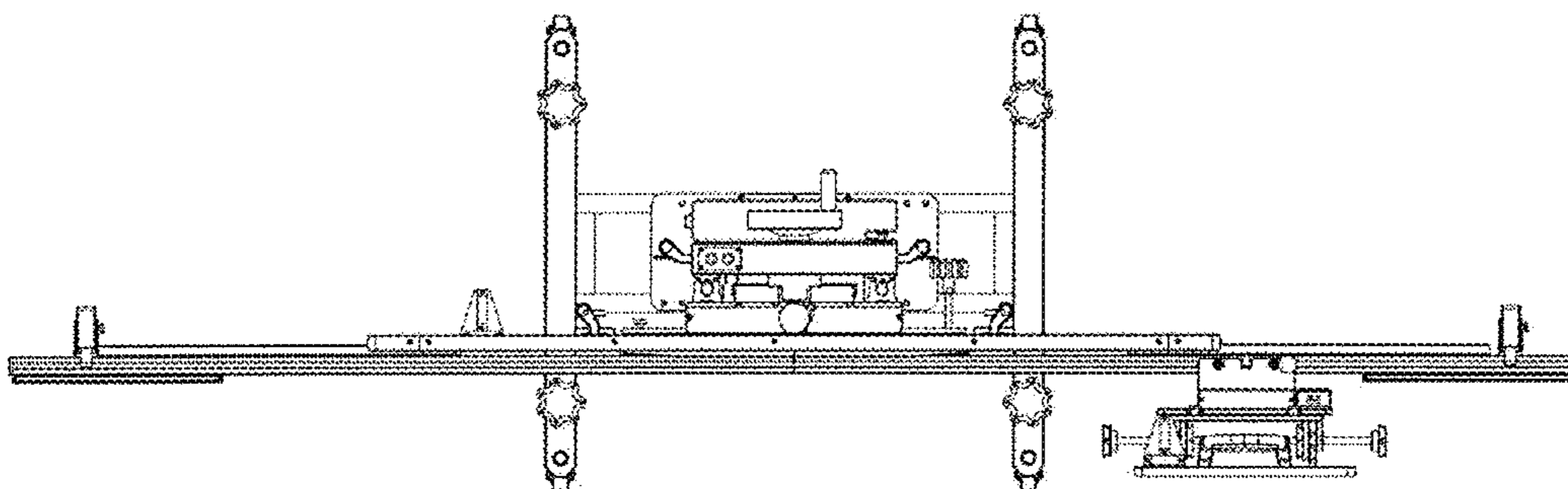


FIG. 5

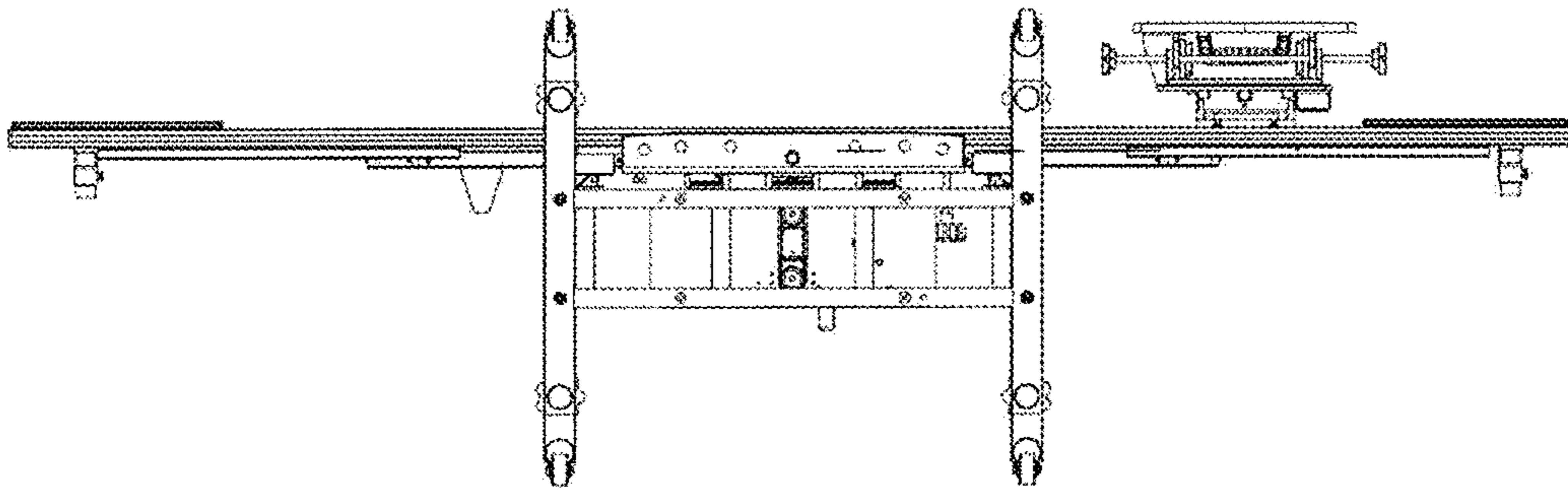


FIG. 6

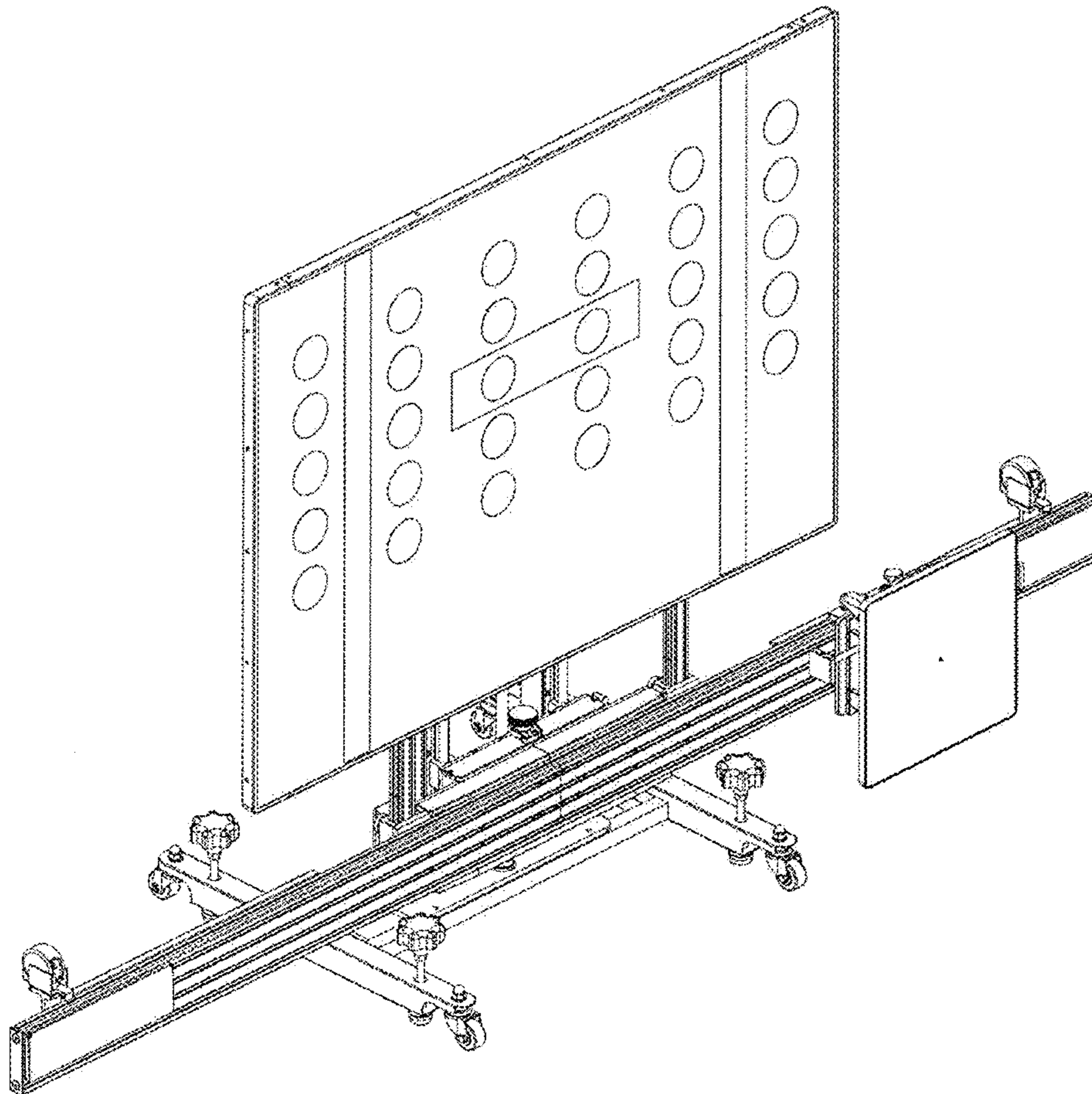


FIG. 7

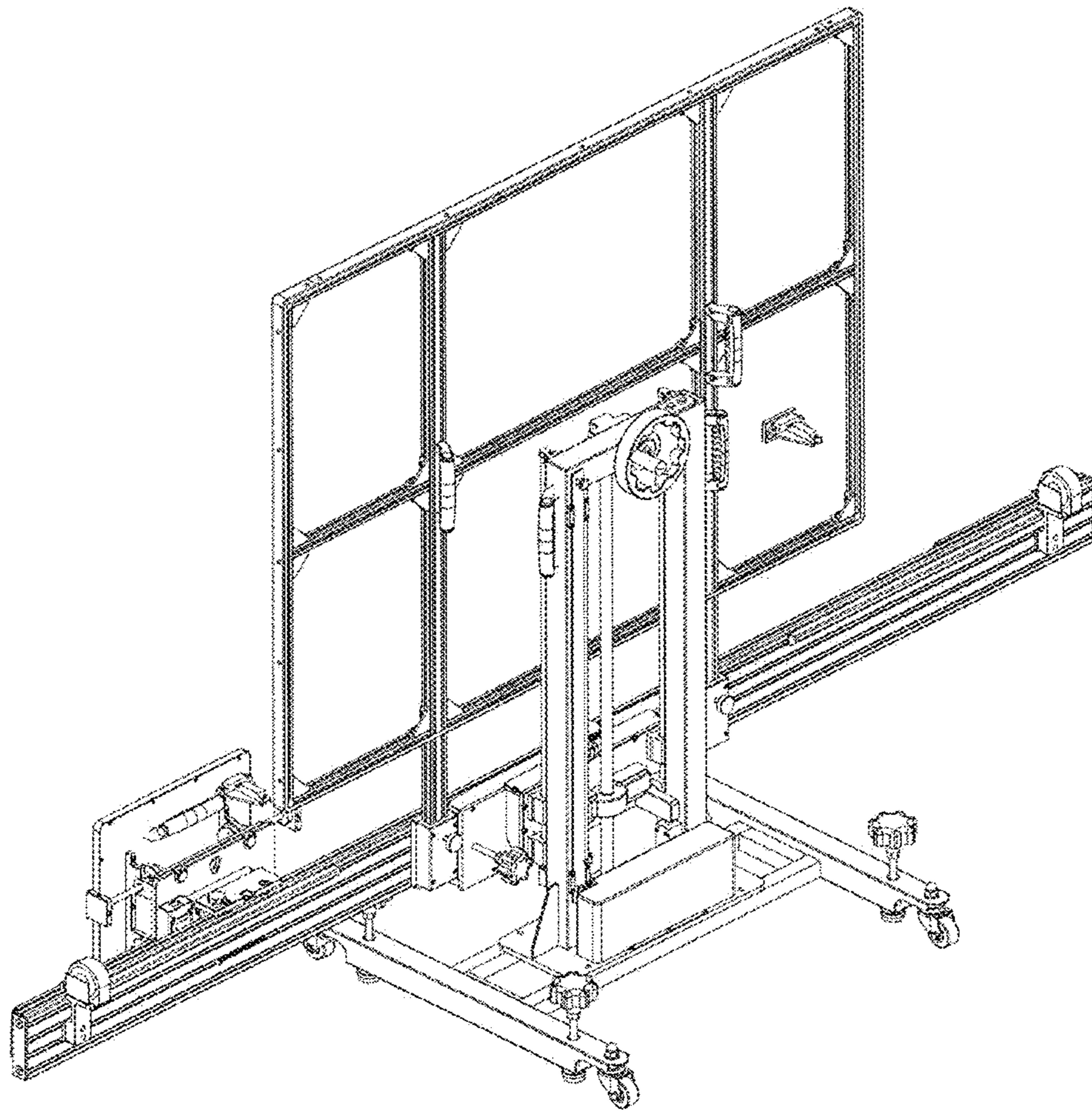


FIG.8