



US00D883117S

(12) **United States Design Patent** (10) **Patent No.:** **US D883,117 S**
Yokino et al. (45) **Date of Patent:** **** May 5, 2020**

(54) SPECTROMETER	D603,730 S	11/2009	Shibayama
	D603,731 S	11/2009	Shibayama
(71) Applicant: HAMAMATSU PHOTONICS K.K. , Hamamatsu-Shi, Shizuoka (JP)	D677,185 S	3/2013	Zhou et al.
	D711,265 S	8/2014	Antonczak
	8,812,070 B2 *	8/2014	Jossart A61B 5/14542 600/310
(72) Inventors: Takafumi Yokino , Hamamatsu (JP); Katsumi Shibayama , Hamamatsu (JP); Katsuhiko Kato , Hamamatsu (JP)	D748,510 S	2/2016	Zhou et al.
	D763,959 S	8/2016	Lee et al.
	D767,652 S	9/2016	Schonherr et al.
	D796,359 S *	9/2017	White D10/81
(73) Assignee: HAMAMATSU PHOTONICS K.K. , Hamamatsu-shi, Shizuoka (JP)	D802,050 S	11/2017	Kawai et al.
	D805,934 S	12/2017	Yokino et al.

(Continued)

(**) Term: **15 Years**

(21) Appl. No.: **29/710,167**

(22) Filed: **Oct. 21, 2019**

Related U.S. Application Data

(62) Division of application No. 29/635,668, filed on Feb. 1, 2018, which is a division of application No. 35/501,554, filed on Mar. 15, 2016 (U.S. filing date under 35 U.S.C. 384), and having an international filing date of Mar. 15, 2016, now Pat. No. Des. 812,502.

(51) **LOC (12) Cl.** **10-04**

(52) **U.S. Cl.**
USPC **D10/81**

(58) **Field of Classification Search**
USPC D10/81
CPC A61B 5/14542
See application file for complete search history.

(56) **References Cited**

U.S. PATENT DOCUMENTS

4,687,329 A	8/1987	Schultz	
5,166,755 A	11/1992	Gat	
D347,396 S *	5/1994	Ohnuma D10/81
D557,156 S	12/2007	Kon	
D603,280 S	11/2009	Shibayama	
D603,729 S	11/2009	Shibayama	

OTHER PUBLICATIONS

Office Action dated Dec. 21, 2018 in U.S. Appl. No. 29/627,946.

Primary Examiner — George D. Kirschbaum
(74) *Attorney, Agent, or Firm* — Faegre Drinker Biddle & Reath LLP

(57) **CLAIM**

The ornamental design for a spectrometer, as shown and described.

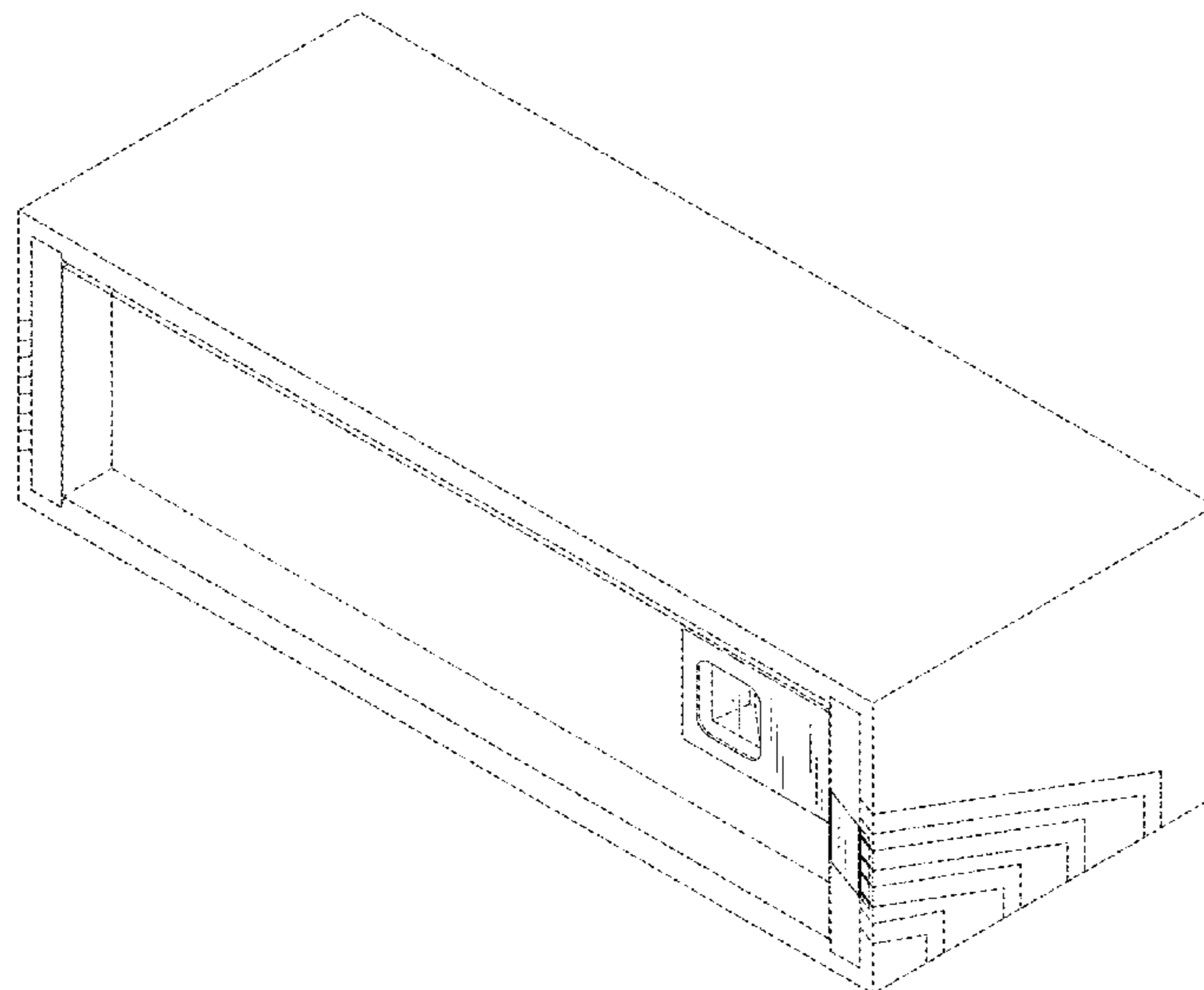
DESCRIPTION

FIG. 1 is a perspective view of a spectrometer; FIG. 2 is a front view of the spectrometer of FIG. 1; FIG. 3 is a back view of the spectrometer of FIG. 1; FIG. 4 is a top view of the spectrometer of FIG. 1; FIG. 5 is a bottom view of the spectrometer of FIG. 1; FIG. 6 is a left view of the spectrometer of FIG. 1; FIG. 7 is a right view of the spectrometer of FIG. 1; and, FIG. 8 is a sectional view taken along the line 8-8 of the spectrometer of FIG. 2.

The broken lines show portions of a spectrometer that form no part of the claimed design.

The broken lines having alternating long and short segments define bounds of the claimed design and form no part thereof.

1 Claim, 8 Drawing Sheets



(56)

References Cited

U.S. PATENT DOCUMENTS

D805,935 S	12/2017	Yokino et al.
D805,936 S	12/2017	Yokino et al.
D812,502 S	3/2018	Yokino et al.
D821,902 S	7/2018	Hirose et al.
D821,903 S	7/2018	Hirose et al.
D825,361 S	8/2018	Hirose et al.
D829,116 S	9/2018	Hirose et al.
D829,117 S	9/2018	Hirose et al.
D829,577 S	10/2018	Hirose et al.
D829,579 S	10/2018	Hirose et al.
D829,581 S	10/2018	Hirose et al.

* cited by examiner

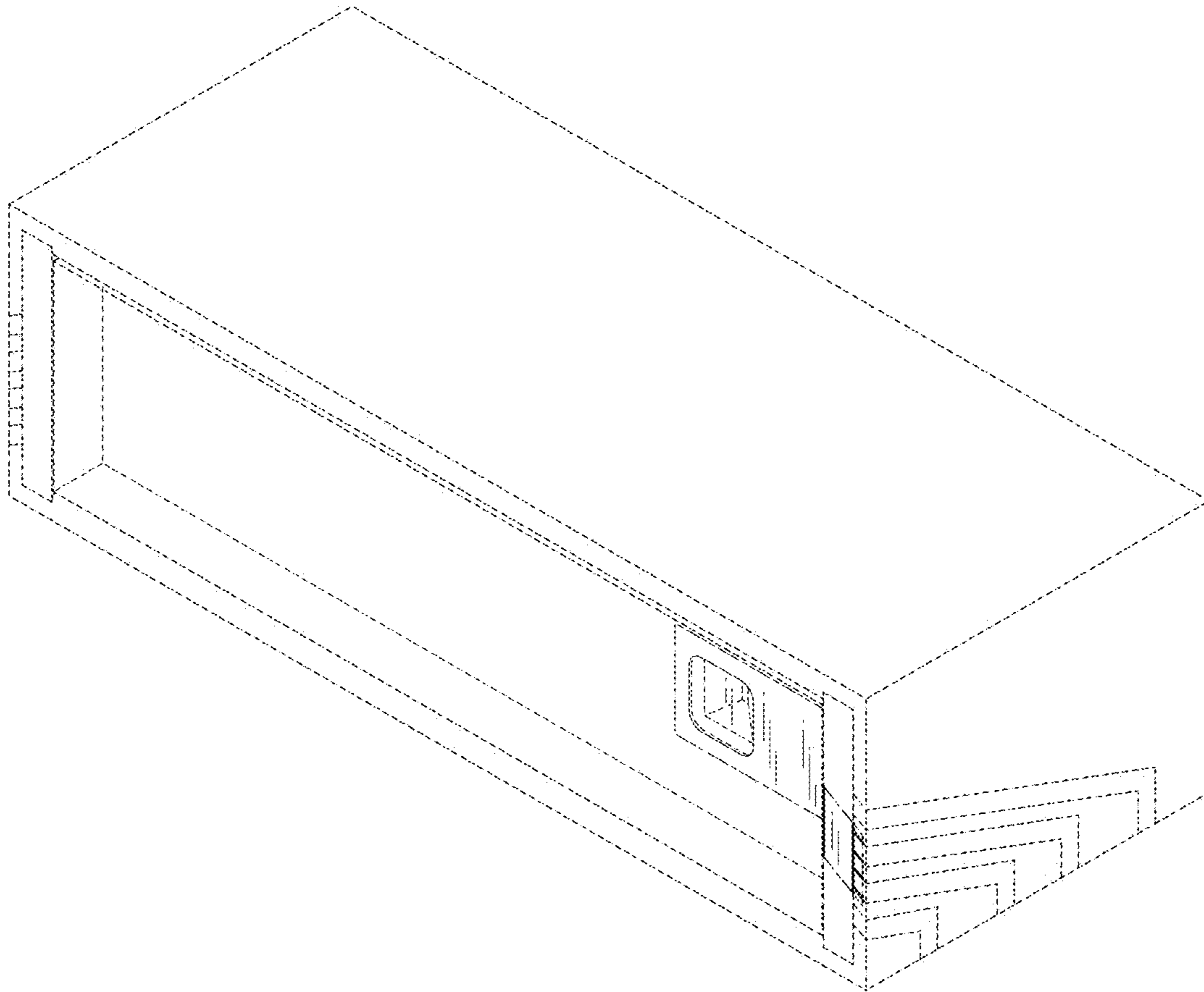


FIG. 1

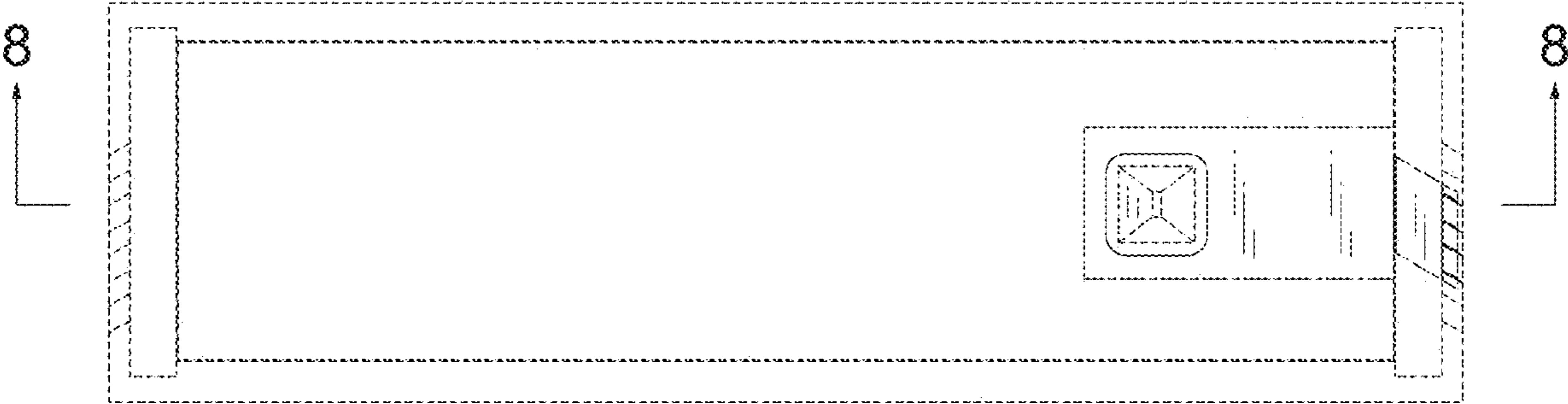


FIG. 2

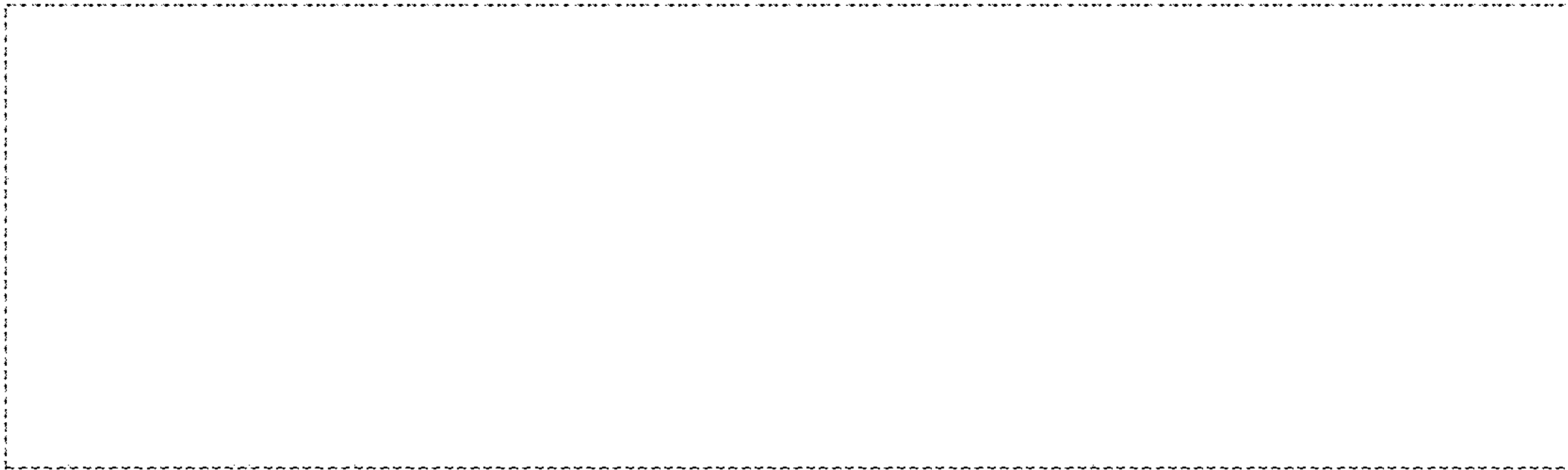


FIG. 3



FIG. 4

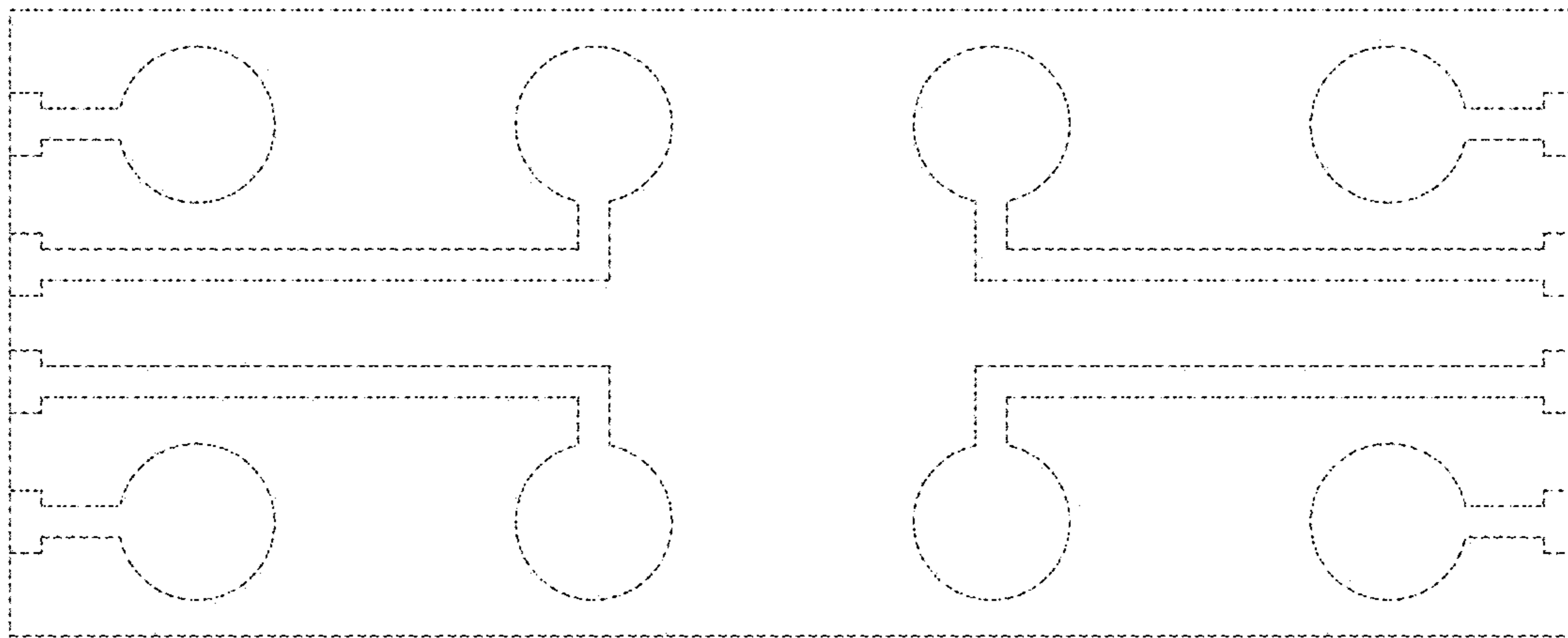


FIG. 5

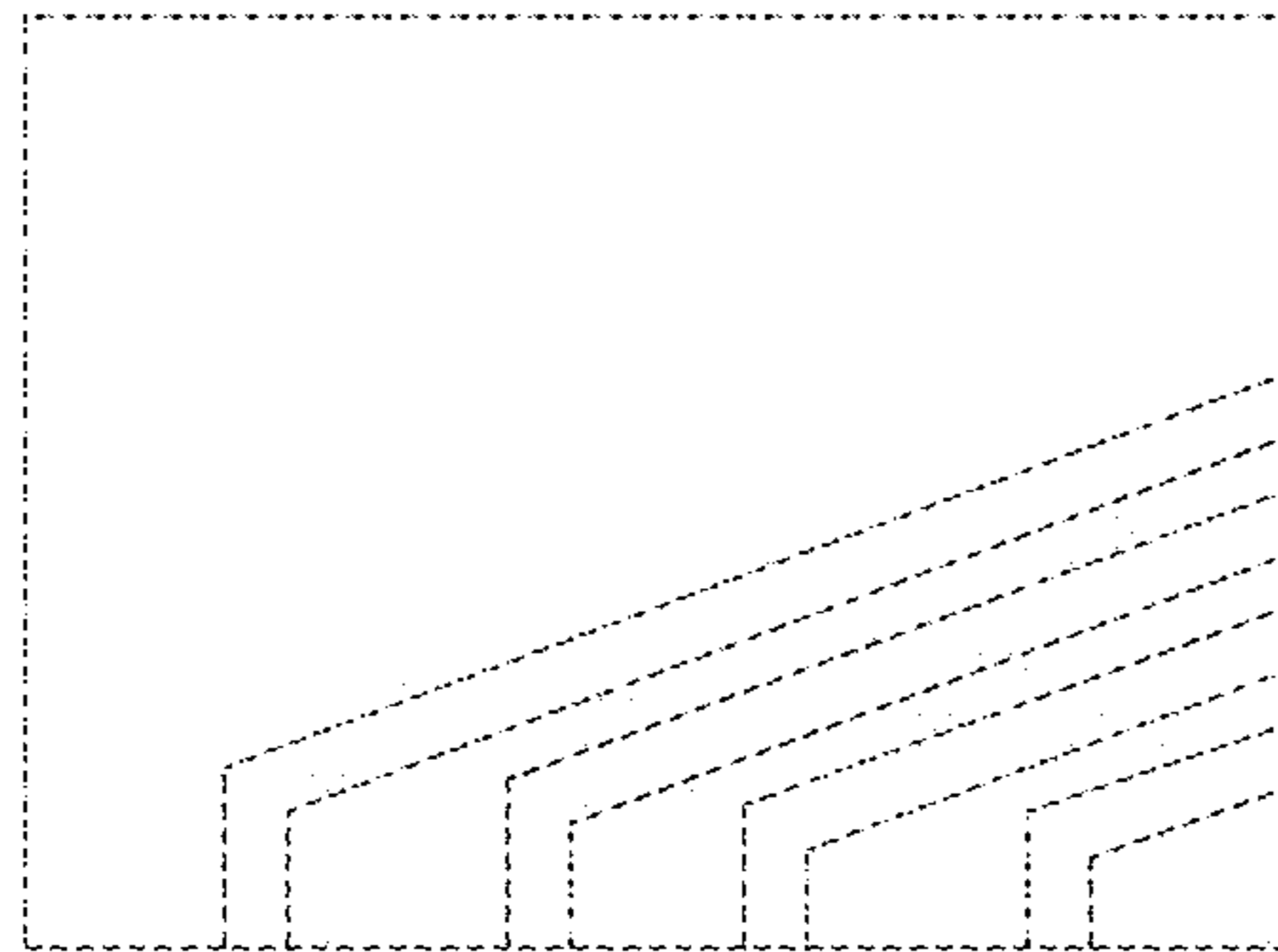


FIG. 6

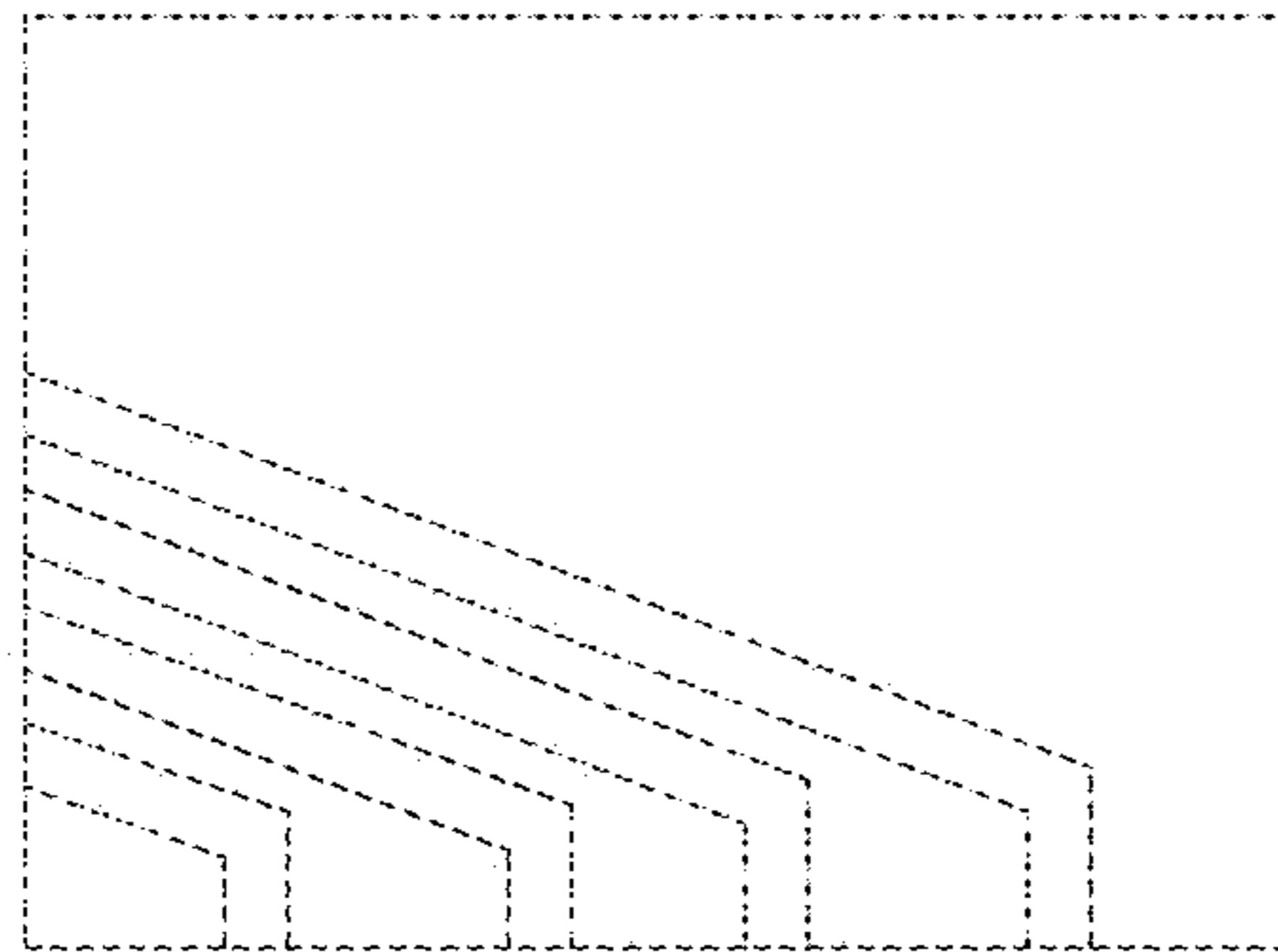


FIG. 7

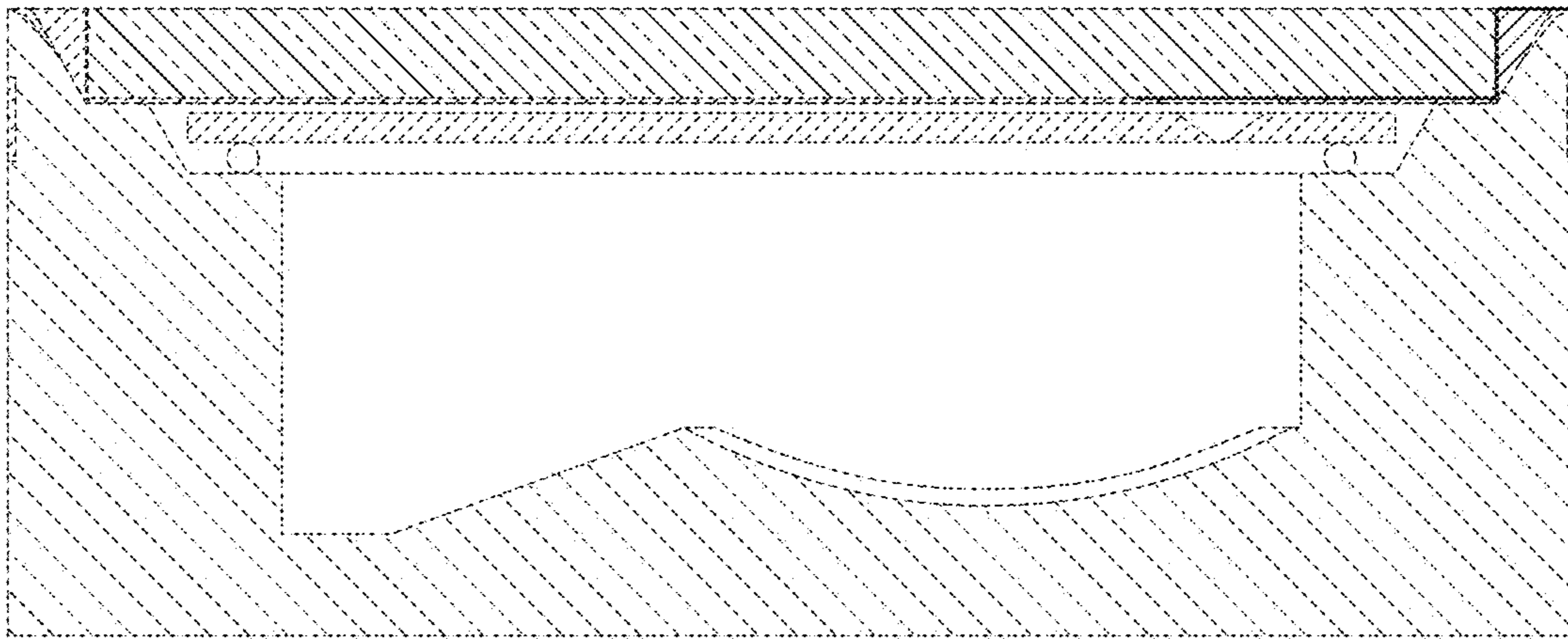


FIG. 8