



US00D883115S

(12) **United States Design Patent** (10) **Patent No.:** **US D883,115 S**  
**Barton et al.** (45) **Date of Patent:** **\*\* May 5, 2020**

- (54) **DIAGNOSTIC ANALYZER**
- (71) Applicant: **Abbott Laboratories**, Abbott Park, IL (US)
- (72) Inventors: **Christina A. Barton**, Irving, TX (US); **Rachel Elizabeth Wallace**, Madison, WI (US); **Ami Marie Verhalen**, Sun Prairie, WI (US); **Daniel Roger Nett**, Sun Prairie, WI (US)
- (73) Assignee: **Abbott Laboratories**, Abbott Park, IL (US)
- (\*\*) Term: **15 Years**
- (21) Appl. No.: **29/699,604**
- (22) Filed: **Jul. 26, 2019**

**Related U.S. Application Data**

- (63) Continuation of application No. 29/670,569, filed on Nov. 16, 2018, now Pat. No. Des. 859,192, which is (Continued)
- (51) **LOC (12) Cl.** ..... **10-04**
- (52) **U.S. Cl.**  
USPC ..... **D10/81; D24/216**
- (58) **Field of Classification Search**  
USPC ..... **D10/81; D24/107, 169, 185, 216, 217, D24/218, 219, 232, 233, 234**  
(Continued)

**References Cited**

**U.S. PATENT DOCUMENTS**

- D319,307 S 8/1991 Sakagami et al.
  - D346,027 S 4/1994 Kobayashi
- (Continued)

**OTHER PUBLICATIONS**

United States Patent and Trademark Office, "Restriction and/or Election Requirement," issued in connection with U.S. Appl. No. 29/531,603, dated Mar. 6, 2017, 32 pages.

Japanese Patent Office, "Notice of Reason for Rejection," issued in connection with Japanese Design Application No. 2016-1034, dated Sep. 6, 2016, 5 pgs.

(Continued)

*Primary Examiner* — Antoine Duval Davis  
(74) *Attorney, Agent, or Firm* — Hanely, Flight & Zimmerman, LLC

(57) **CLAIM**

The ornamental design for a "diagnostic analyzer", as shown and described.

**DESCRIPTION**

FIG. 1 is a front left perspective view of a diagnostic analyzer.

FIG. 2 is a front view of the diagnostic analyzer of FIG. 1.

FIG. 3 is a rear view of the diagnostic analyzer of FIG. 1.

FIG. 4 is a right side view of the diagnostic analyzer of FIG. 1.

FIG. 5 is a left side view of the diagnostic analyzer of FIG. 1.

FIG. 6 is a top view of the diagnostic analyzer of FIG. 1.

FIG. 7 is a bottom view of the diagnostic analyzer of FIG. 1.

FIG. 8 is a front left perspective view of a diagnostic analyzer.

FIG. 9 is a front view of the diagnostic analyzer of FIG. 8.

FIG. 10 is a rear view of the diagnostic analyzer of FIG. 8.

FIG. 11 is a right side view of the diagnostic analyzer of FIG. 8.

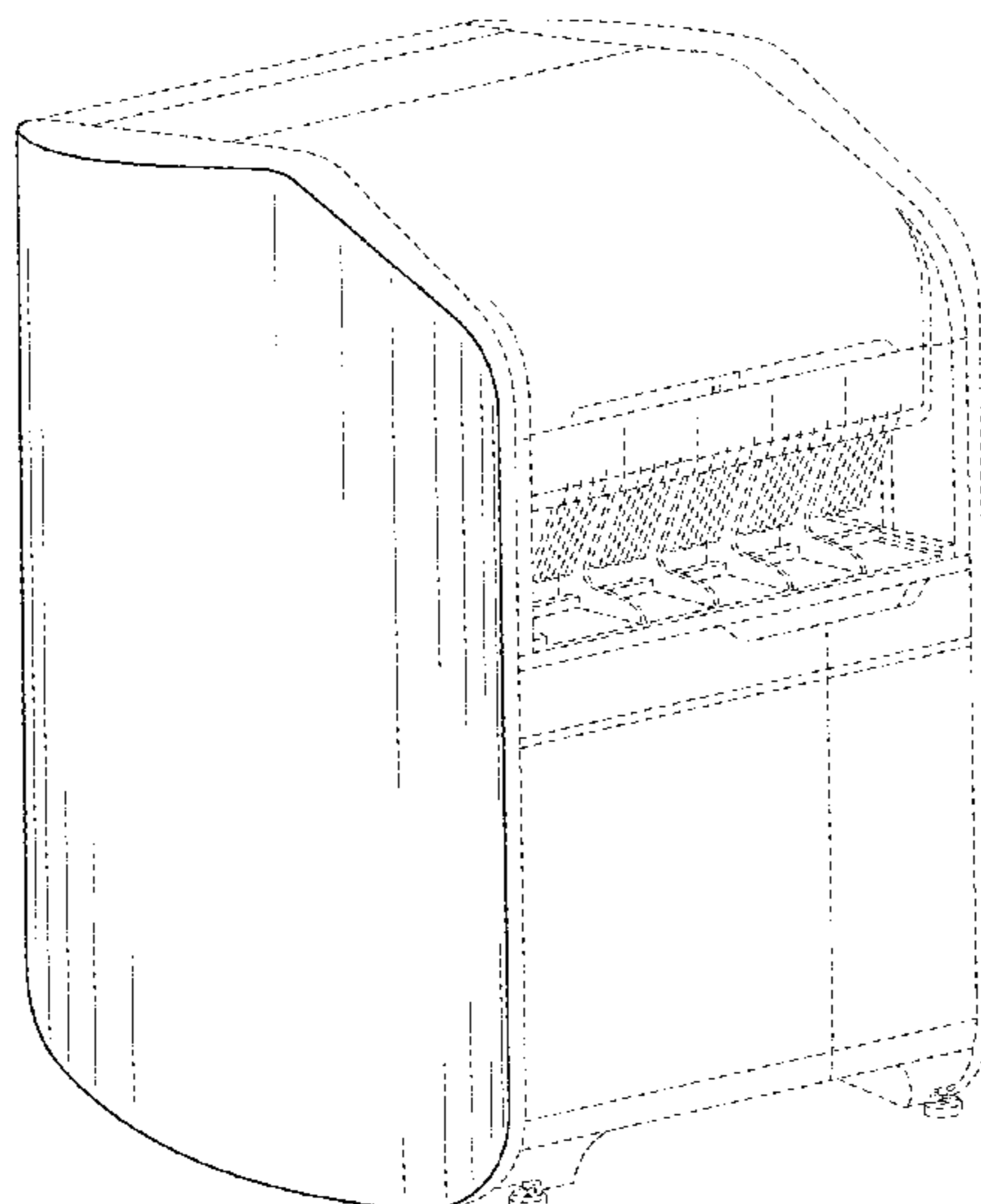
FIG. 12 is a left side view of the diagnostic analyzer of FIG. 8.

FIG. 13 is a top view of the diagnostic analyzer of FIG. 8; and,

FIG. 14 is a bottom view of the diagnostic analyzer of FIG. 8.

The features shown in broken lines form no part of the claimed design.

**1 Claim, 14 Drawing Sheets**



**Related U.S. Application Data**

a continuation of application No. 29/602,019, filed on Apr. 27, 2017, now Pat. No. Des. 838,613, which is a continuation of application No. 29/505,590, filed on Dec. 23, 2015, now Pat. No. Des. 788,617.

(58) **Field of Classification Search**

CPC .. G01N 21/00; G01N 21/01; G01N 2201/022; G01N 2201/0221; G01N 2201/0222; G01N 2201/0224; G01N 2201/0225; G01N 2201/0227; G01N 2201/0228; G01N 2201/024; G01N 2201/0245; G01N 2021/0112–21/958; G01N 2021/0106–2021/9586; G01N 35/00–35/1097; G01N 2035/00019–2035/1093; G01N 2204/022–2204/0228

See application file for complete search history.

(56) **References Cited**

U.S. PATENT DOCUMENTS

D351,025 S	9/1994	Yamashita et al.	
D354,351 S	1/1995	Kochansky et al.	
D354,354 S	1/1995	Yamashita et al.	
6,521,183 B1	2/2003	Burri et al.	
D662,431 S	6/2012	Kimura	
D672,471 S	12/2012	Franco et al.	
D676,568 S	2/2013	Liu et al.	
D715,456 S	10/2014	Oonuma et al.	
D716,966 S	11/2014	Lizari Illarramendi	
D721,820 S	1/2015	Oonuma et al.	
D724,753 S	3/2015	Gutmann et al.	
D728,124 S	4/2015	Oonuma et al.	
D729,399 S	5/2015	Oonuma et al.	
D736,402 S	8/2015	Gutmann et al.	
D777,049 S *	1/2017	Barton .....	D10/81
D788,617 S *	6/2017	Barton .....	D10/81
D791,338 S	7/2017	Morkos et al.	
D799,999 S	10/2017	Barton et al.	
D800,000 S *	10/2017	Barton .....	D10/81
D802,156 S	11/2017	Barton et al.	
D802,785 S *	11/2017	Barton .....	D24/216
D824,536 S *	7/2018	Barton .....	D24/232
D838,613 S *	1/2019	Barton .....	D10/81
2002/0169518 A1	11/2002	Luoma, II et al.	
2013/0034466 A1	2/2013	Wakamiya et al.	
2013/0288355 A1	10/2013	DeWitte et al.	
2015/0140577 A1	5/2015	Li et al.	
2015/0276566 A1	10/2015	Berntsen et al.	
2017/0269114 A1	9/2017	Bryant et al.	

OTHER PUBLICATIONS

Japanese Patent Office, “Notice of Reason for Rejection,” issued in connection with Japanese Patent Application No. 2016-22301, dated Nov. 8, 2016, 4 pages.

State Intellectual Property Office of China, “Notification of First Corrections,” issued in connection with Chinese Patent Application No. 201530555269.1, dated Apr. 25, 2016, 4 pages.

Japanese Patent Office, “Notice of Reason for Rejection,” issued in connection with Japanese Patent Application No. 2015-28871, dated Jun. 14, 2016, 5 pages.

Office for Harmonization in the Internal Market, “Notification of the Registration of the Community Designs,” issued in connection with European Community Design Nos. 002930230-0001 through 002930230-0029, dated Mar. 17, 2016, 6 pages.

European Union Intellectual Property Office, “Notification of the Registration of the Community Designs,” issued in connection with European Community Design Nos. 003003631-0001 through 003003631-0014, dated Apr. 28, 2016, 5 pages.

State Intellectual Property Office of China, “Notice of Grant of Patent Right for a Design,” issued in connection with Chinese Patent Application No. 201530555269.1, dated Mar. 9, 2017, 2 pages.

State Intellectual Property Office of China, “Office Action,” issued in connection with Chinese Patent Application No. 201530555269.1, dated Oct. 19, 2016, 3 pages.

United States Patent and Trademark Office, “Notice of Allowance and Fee(s) Due,” issued in connection with U.S. Appl. No. 29/505,590, dated Jan. 18, 2017, 7 pages.

United States Patent and Trademark Office, “Restriction and/or election requirement,” issued in connection with U.S. Appl. No. 29/505,590, dated Oct. 13, 2016, 7 pages.

United States Patent and Trademark Office, “Notice of Non-Compliant Amendment,” issued in connection with U.S. Appl. No. 29/531,603, dated Jun. 26, 2017, 4 pages.

United States Patent and Trademark Office, “Notice of Allowance and Fee(s) Due,” issued in connection with U.S. Appl. No. 29/505,590, dated Apr. 18, 2017, 13 pages.

United States Patent and Trademark Office, “Non-Final Office Action,” issued in connection with U.S. Appl. No. 29/602,019, dated Jan. 17, 2018, 15 pages.

United States Patent and Trademark Office, “Notice of Allowance,” issued in connection with U.S. Appl. No. 29/531,603, dated Mar. 26, 2018, 16 pages.

United States Patent and Trademark Office, “Non-Final Office Action,” issued in connection with U.S. Appl. No. 29/612,772, dated Aug. 27, 2018, 9 pages.

United States Patent and Trademark Office, “Notice of Allowance and Fee(s) Due,” issued in connection with U.S. Appl. No. 29/612,772, dated Dec. 11, 2018, 11 pages.

United States Patent and Trademark Office, “Non-Final Office Action,” issued in connection with U.S. Appl. No. 29/531,603, dated Aug. 22, 2017, 7 pages.

United States Patent and Trademark Office, “Notice of Allowance and Fee(s) Due,” issued in connection with U.S. Appl. No. 29/670,569, dated Apr. 17, 2019, 21 pages.

United States Patent and Trademark Office, “Final Office Action,” issued in connection with U.S. Appl. No. 29/602,019, dated May 10, 2018, 22 pages.

United States Patent and Trademark Office, “Notice of Allowance and Fee(s) Due,” issued in connection with U.S. Appl. No. 29/602,019, dated Aug. 30, 2018, 5 pages.

United States Patent and Trademark Office, “Corrected Notice of Allowability,” issued in connection with U.S. Appl. No. 29/602,019, dated Dec. 5, 2018, 6 pages.

United States Patent and Trademark Office, “Notice of Allowance and Fee(s) Due,” issued in connection with U.S. Appl. No. 29/684,515 dated Nov. 22, 2019, 8 pages.

\* cited by examiner



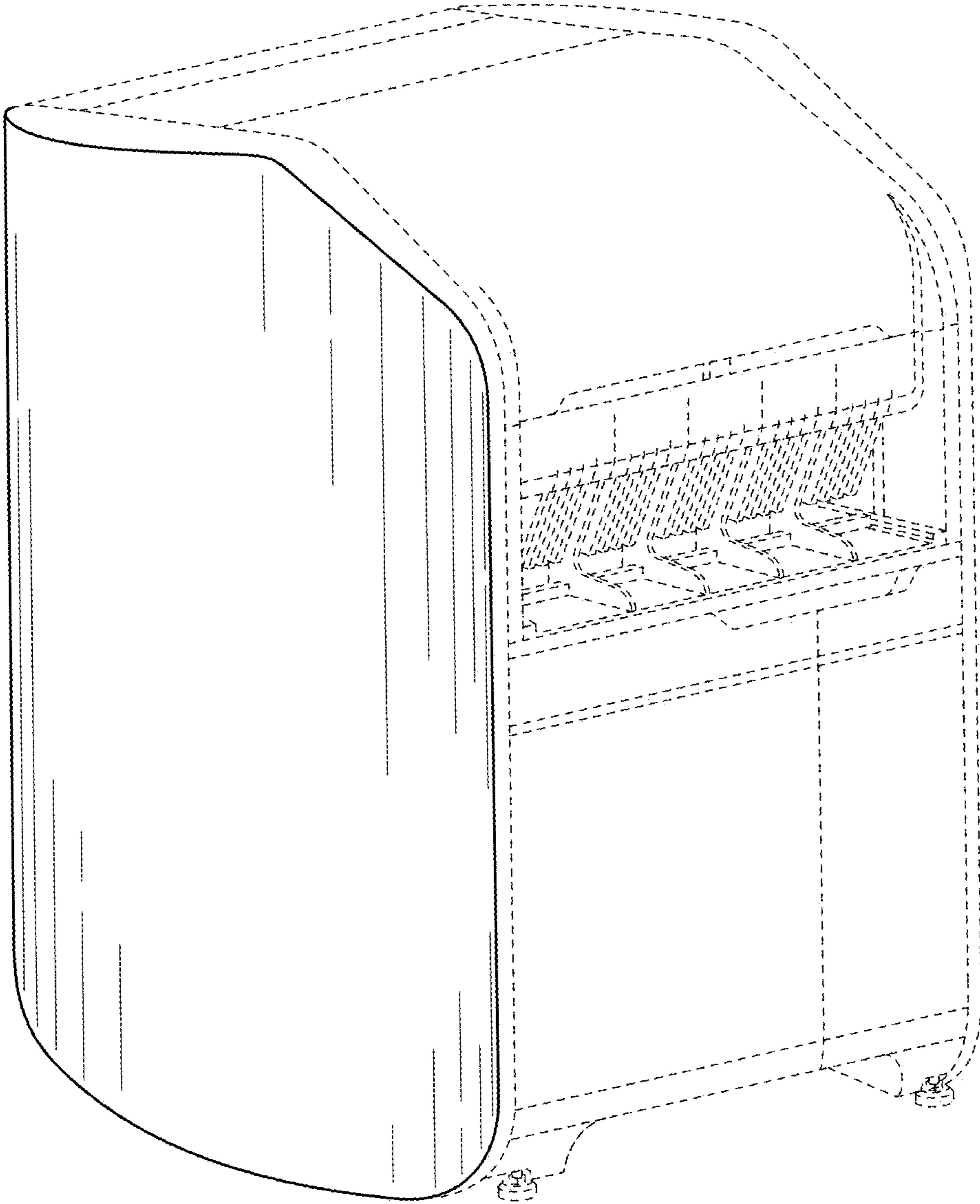


FIG. 1

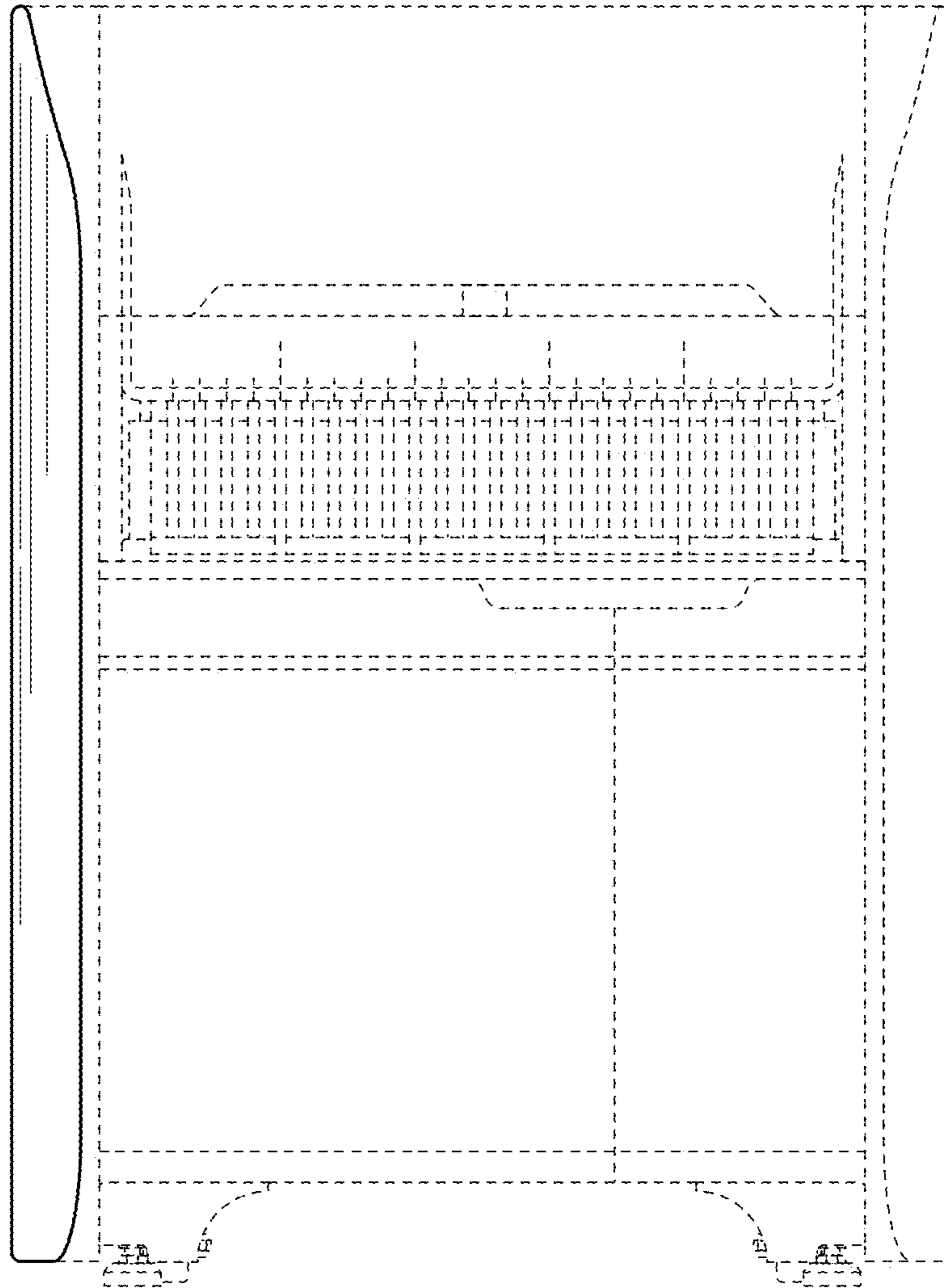


FIG. 2

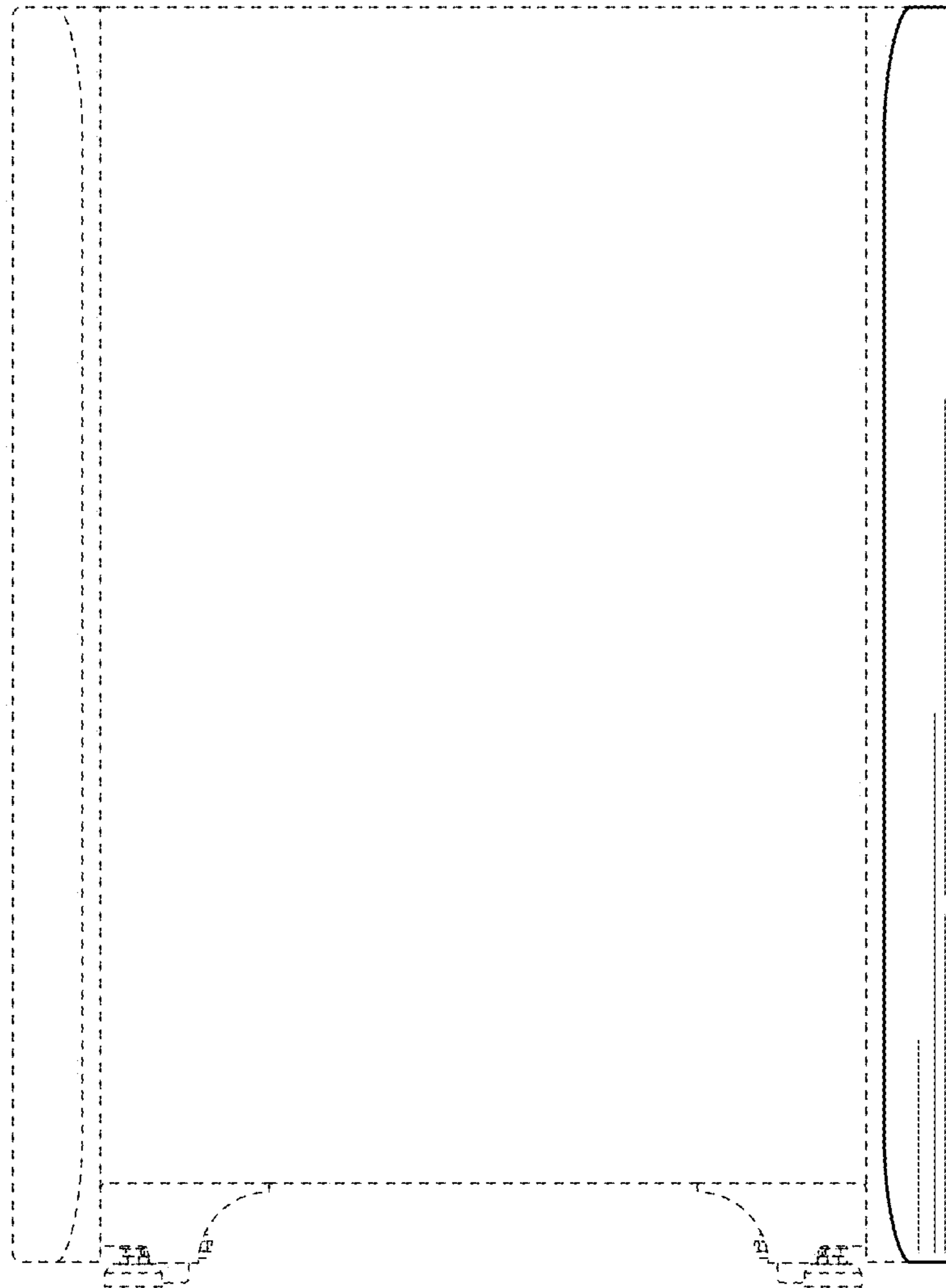


FIG. 3

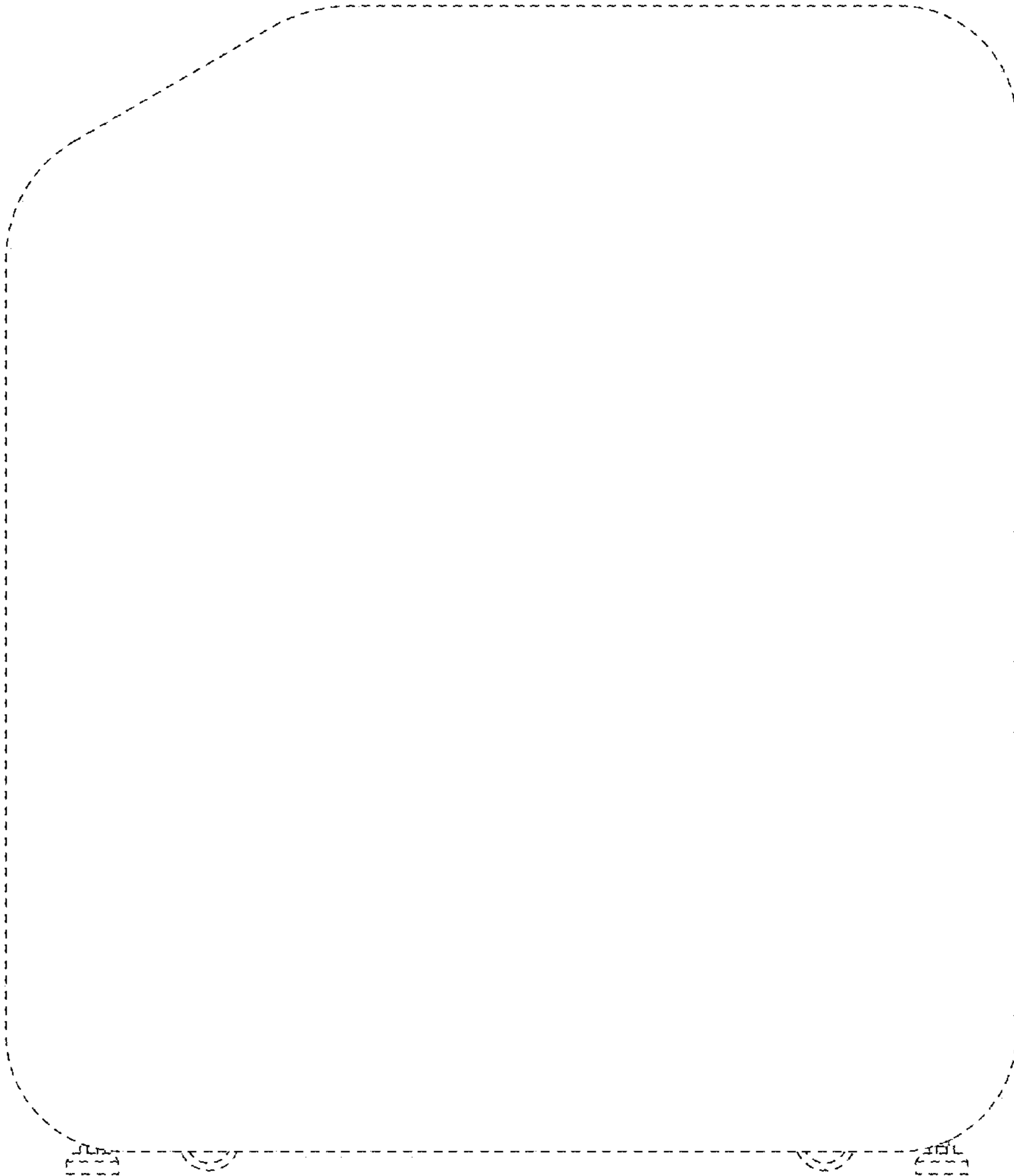


FIG. 4

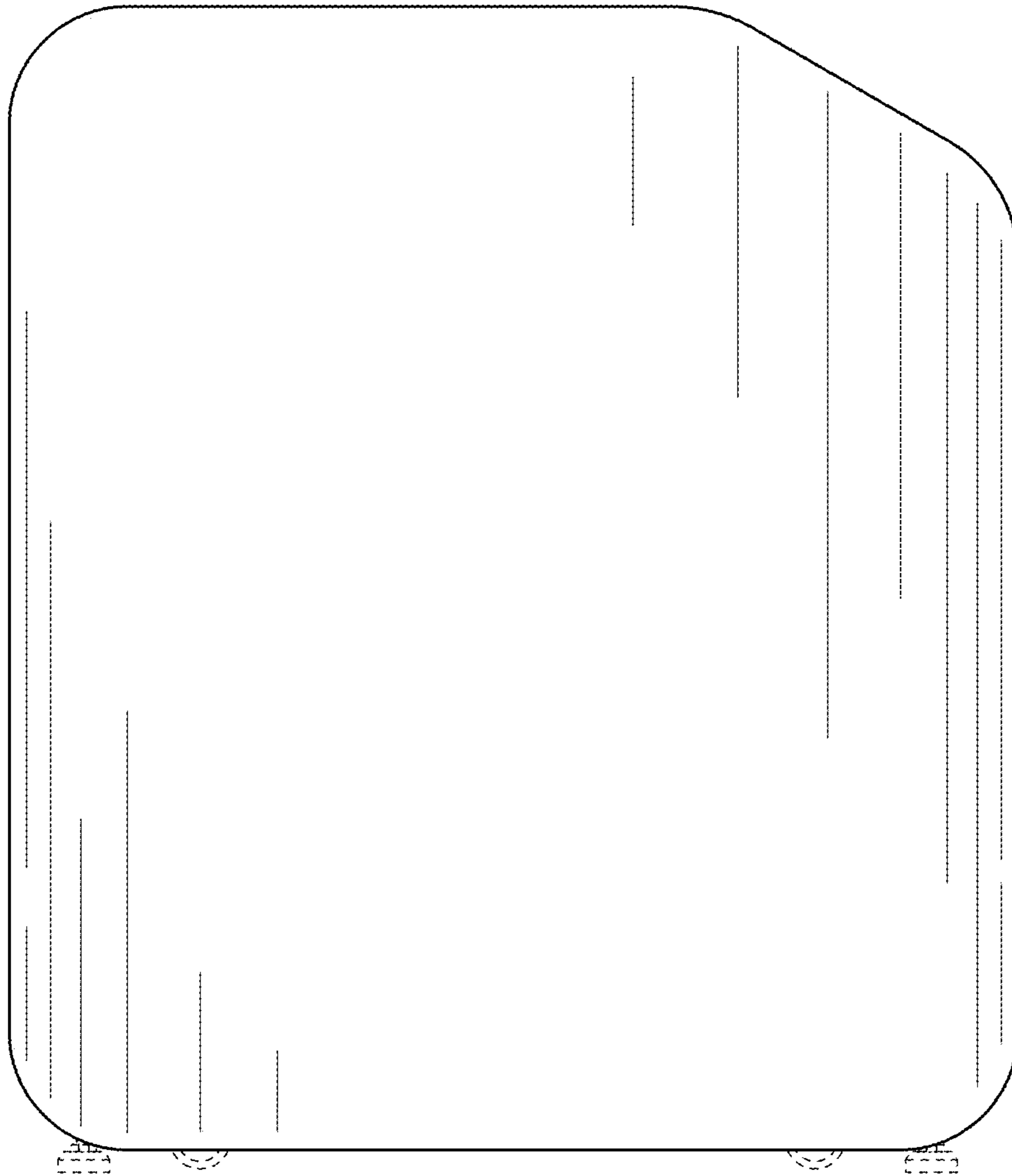


FIG. 5

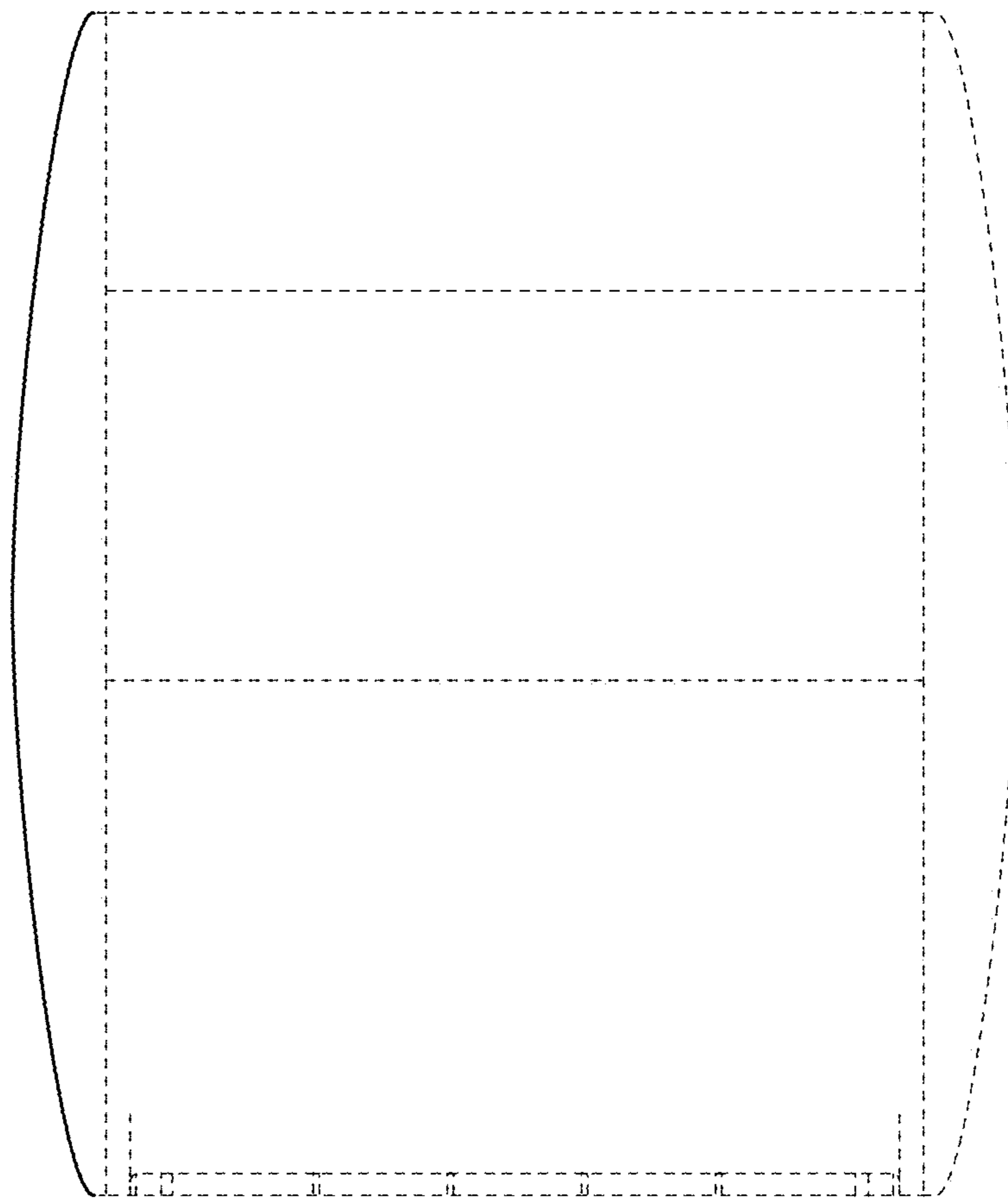


FIG. 6



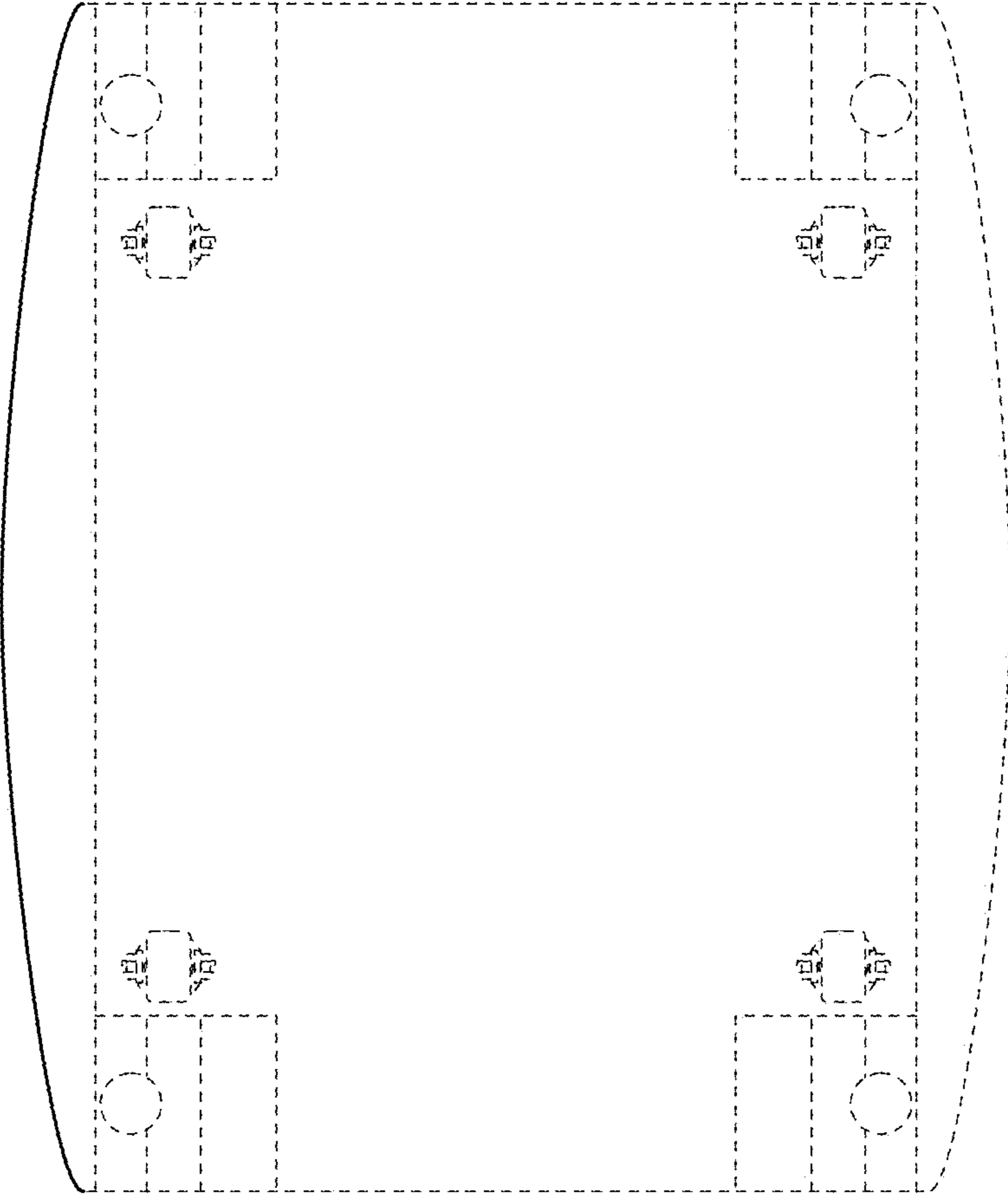


FIG. 7

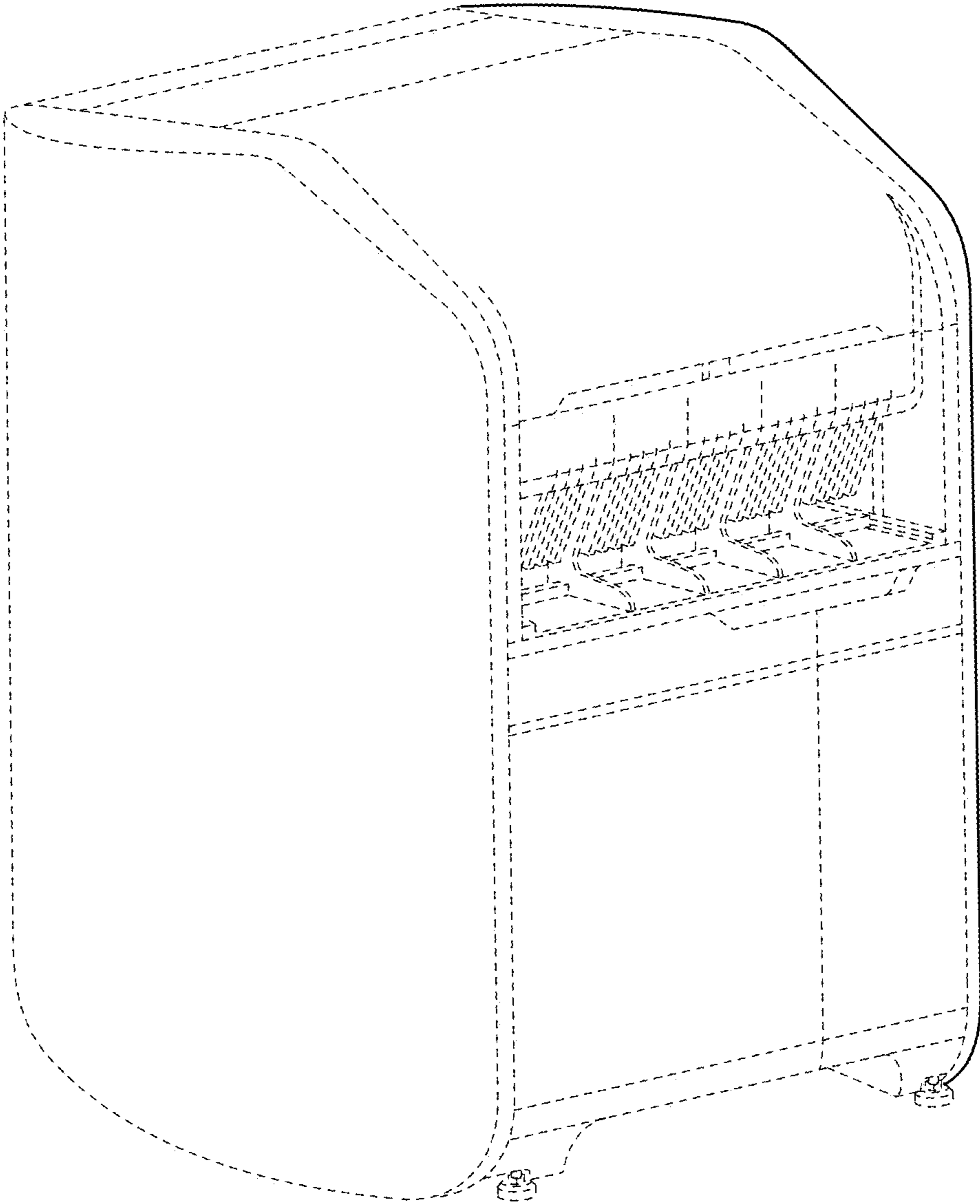


FIG. 8

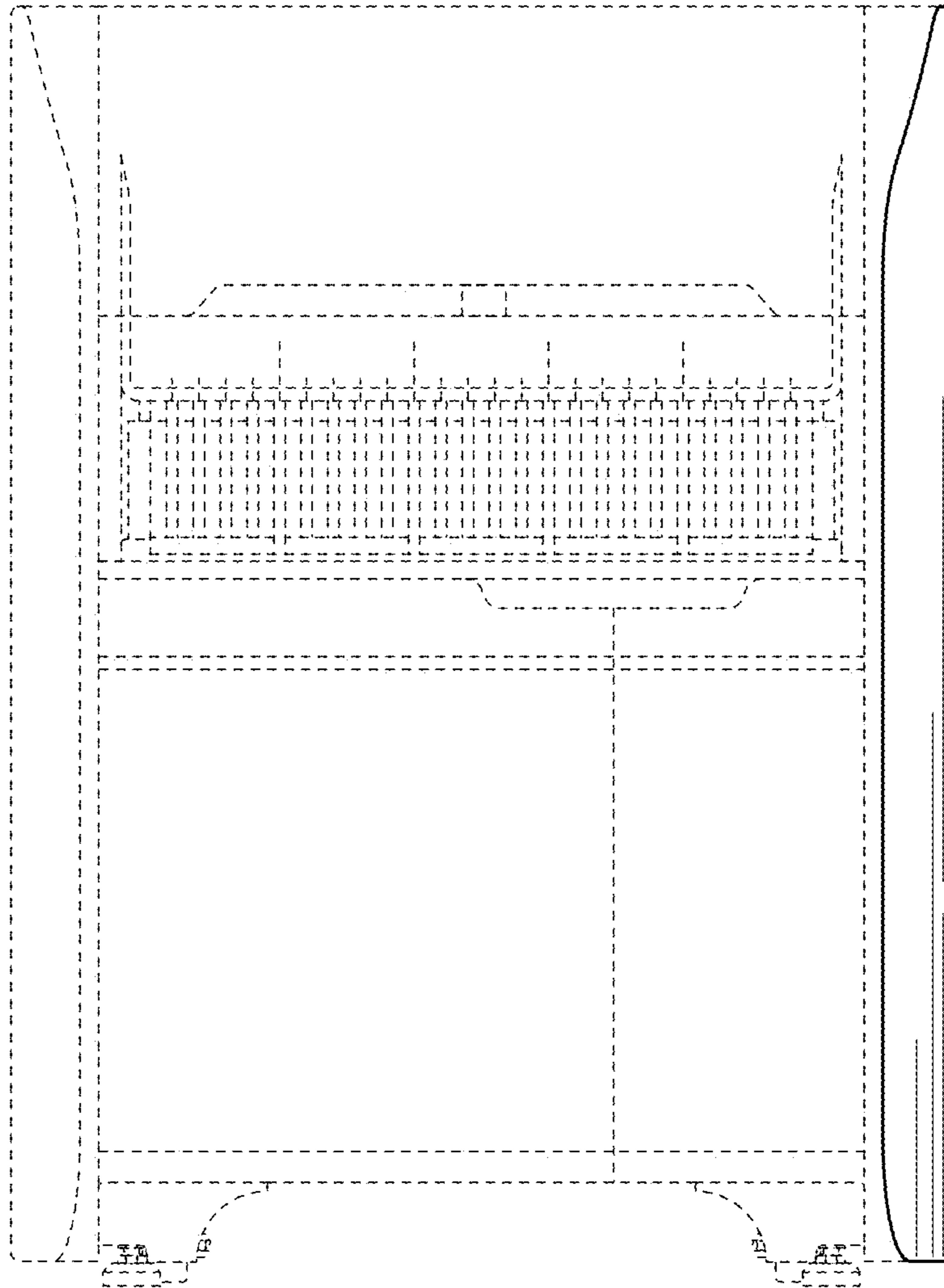


FIG. 9

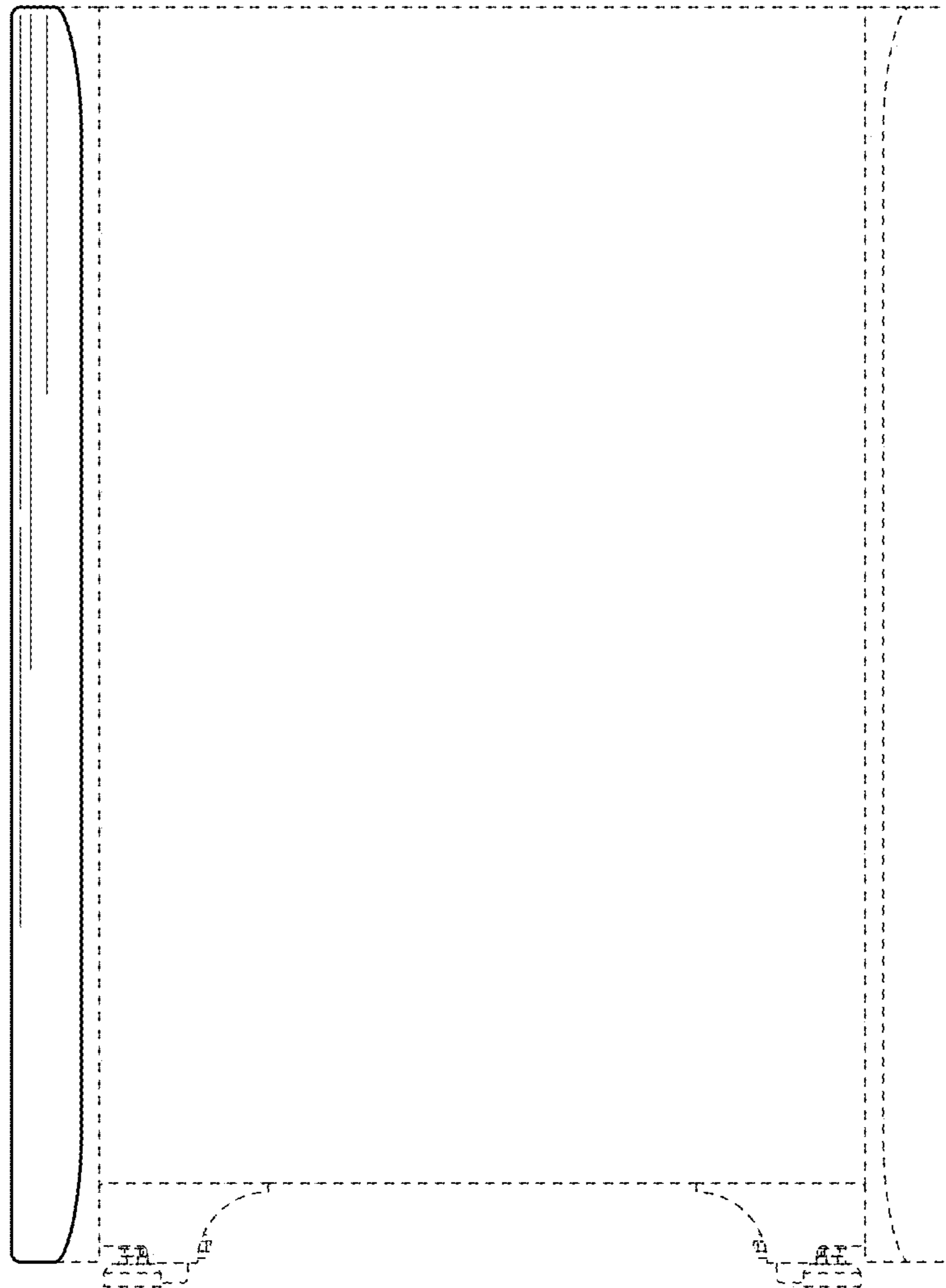


FIG. 10

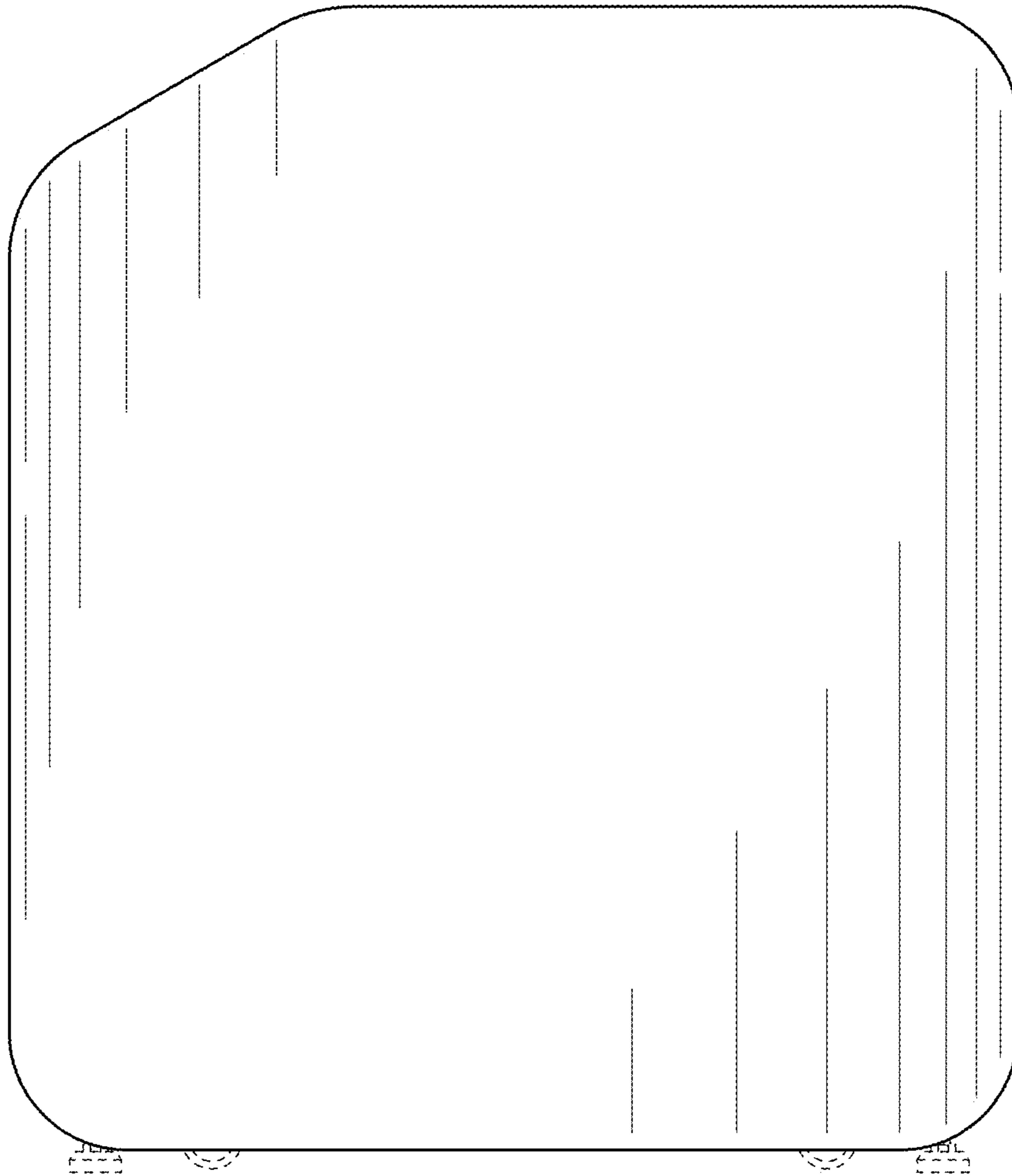


FIG. 11



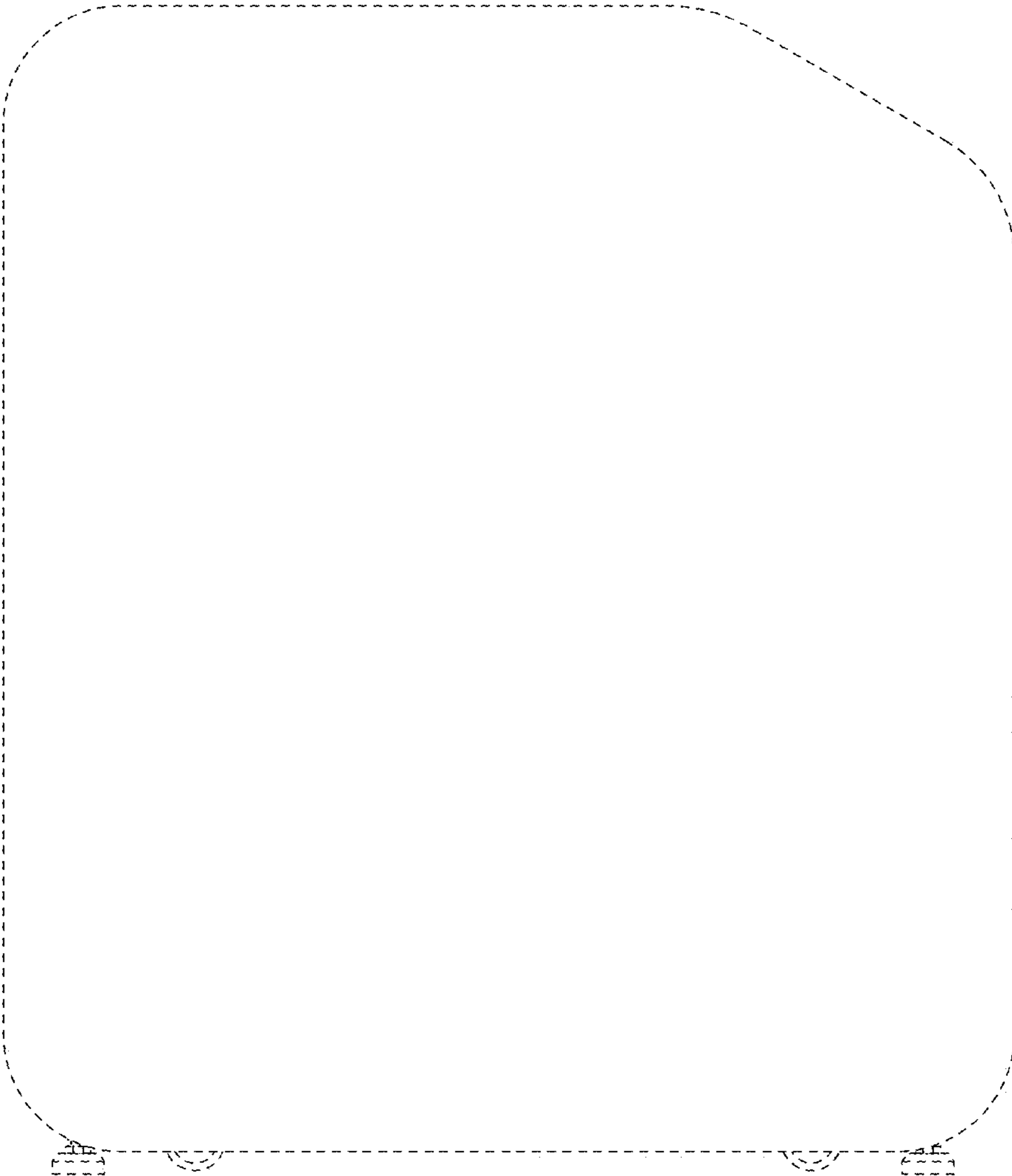


FIG. 12

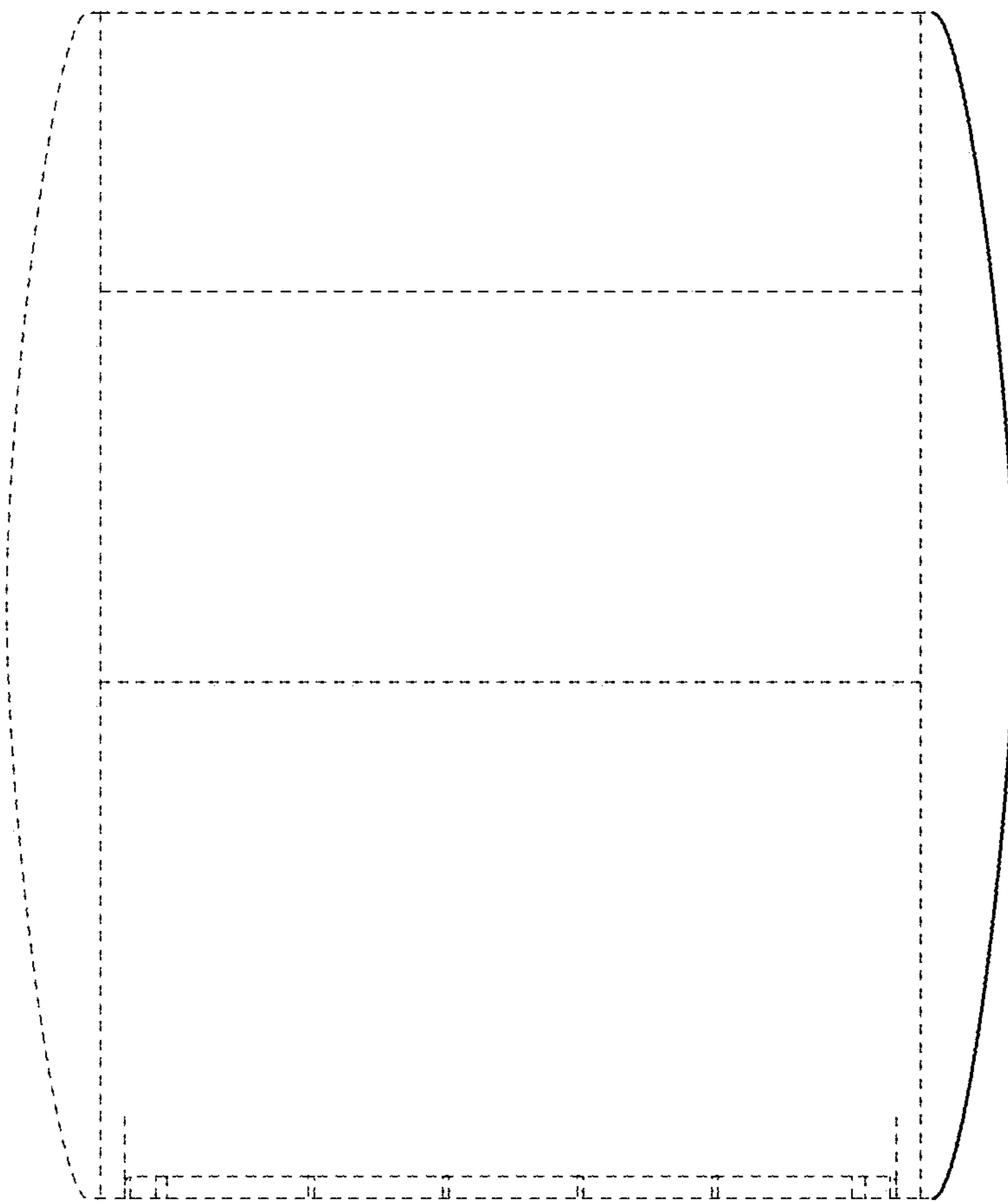


FIG. 13

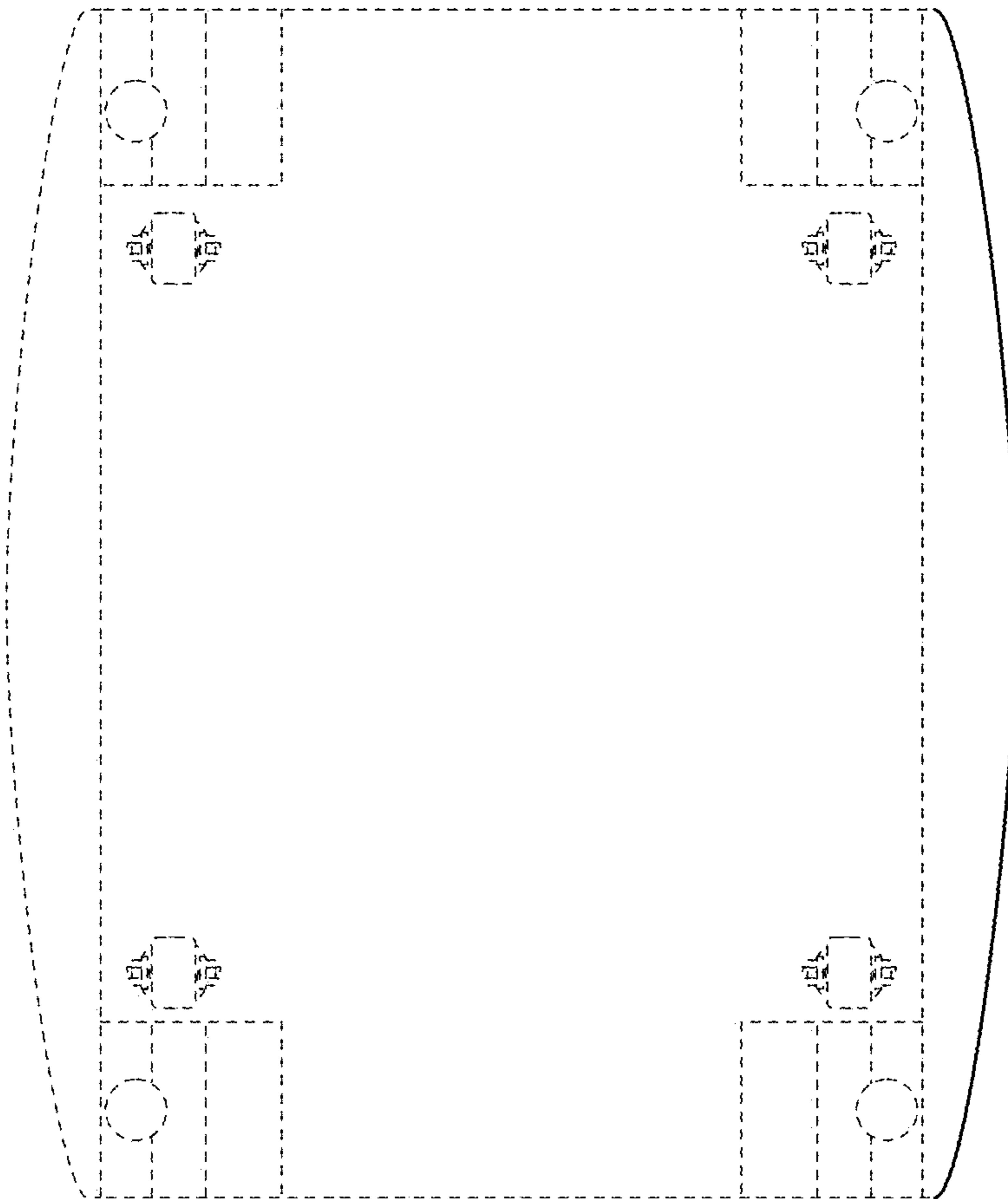


FIG. 14