



US00D883114S

(12) **United States Design Patent**  
**Nordahl et al.**

(10) **Patent No.:** **US D883,114 S**  
(45) **Date of Patent:** **\*\* May 5, 2020**

- (54) **COLORIMETER**
- (71) Applicant: **Hach Lange GmbH**, Berlin (DE)
- (72) Inventors: **Frederik Nordahl**, Glienicke (DE);  
**Frank Steinhauer**, Berlin (DE);  
**Hans-Joachim Kumpch**, Berlin (DE)
- (73) Assignee: **HACH LANGE GMBH**, Berlin (DE)
- (\*\*) Term: **15 Years**
- (21) Appl. No.: **29/671,945**
- (22) Filed: **Nov. 30, 2018**
- (51) **LOC (12) Cl.** ..... **10-04**
- (52) **U.S. Cl.**  
USPC ..... **D10/81; D10/78**
- (58) **Field of Classification Search**  
USPC ..... D10/78, 81  
CPC ..... G01J 3/30; G01J 3/0272; G01J 3/0291;  
G01J 3/501; G01J 3/504; G01J 3/02;  
G01J 3/0208; G01J 3/0286; G01J 3/524;  
G01J 3/50; G01J 3/0289; G01J 3/0243;  
G01J 3/28-3/40; G01J 3/46-3/513; G01J  
3/52-3/528; G01J 2003/516; G01N  
21/255; G01N 21/474; G01N 21/57;  
G01N 2021/4735; G01N 2021/4783;  
G01N 2201/0221  
See application file for complete search history.

- 6,303,934 B1 \* 10/2001 Daly ..... G01J 3/02  
250/339.02
- 6,653,147 B2 \* 11/2003 DiCesare ..... B01L 3/5029  
435/5
- 6,674,530 B2 \* 1/2004 Berstis ..... G01J 3/02  
356/406
- D488,081 S 4/2004 Goodman
- D489,013 S \* 4/2004 Brown ..... D10/78
- 6,825,919 B2 \* 11/2004 Beimers ..... G01J 3/02  
235/462.13
- D551,579 S \* 9/2007 Kano ..... D10/81
- 7,803,322 B2 \* 9/2010 Borich ..... G01N 21/78  
422/62
- D659,038 S \* 5/2012 Steinhauer ..... D10/81
- 8,342,323 B2 \* 1/2013 Shen ..... G01N 21/01  
206/305
- 9,241,663 B2 \* 1/2016 Jena ..... A61B 5/150358

\* cited by examiner

*Primary Examiner* — Antoine Duval Davis  
(74) *Attorney, Agent, or Firm* — FERENCE & ASSOCIATES  
LLC

(57) **CLAIM**

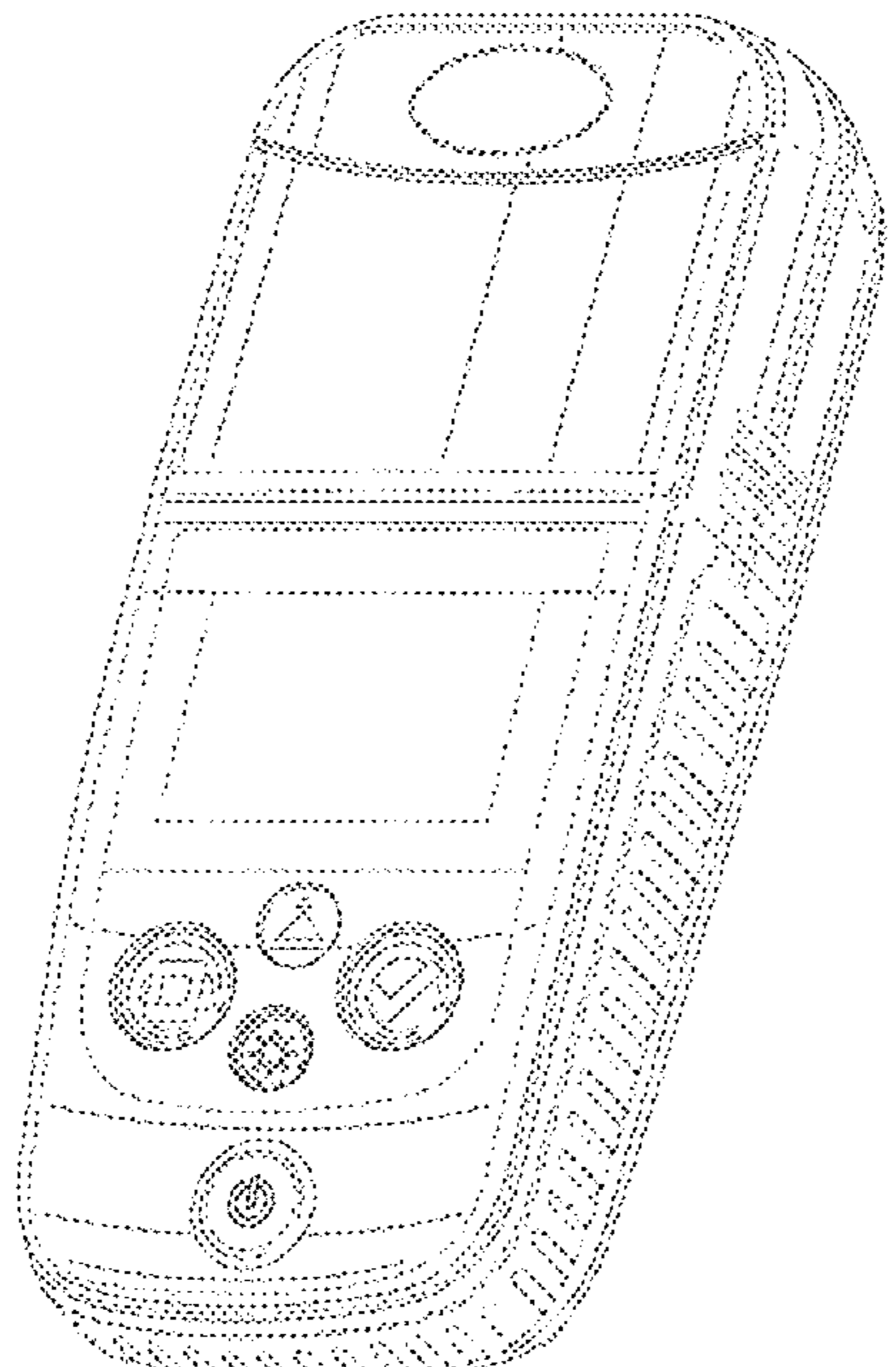
The ornamental design for a colorimeter, as shown and described.

**DESCRIPTION**

FIG. 1 is a perspective view of the ornamental design for a colorimeter.  
FIG. 2 is a front view thereof.  
FIG. 3 is a back (or rear) view thereof.  
FIG. 4 is a left side view thereof.  
FIG. 5 is a right side view thereof.  
FIG. 6 is a top view thereof; and,  
FIG. 7 is a bottom view thereof.  
The portion of the colorimeter shown in broken lines forms no part of the claimed design.

**1 Claim, 7 Drawing Sheets**

- (56) **References Cited**  
U.S. PATENT DOCUMENTS  
5,083,868 A \* 1/1992 Anderson ..... G01N 21/251  
356/402  
D336,444 S \* 6/1993 Anderson ..... D10/81  
6,043,893 A \* 3/2000 Treiman ..... G01J 3/42  
356/402



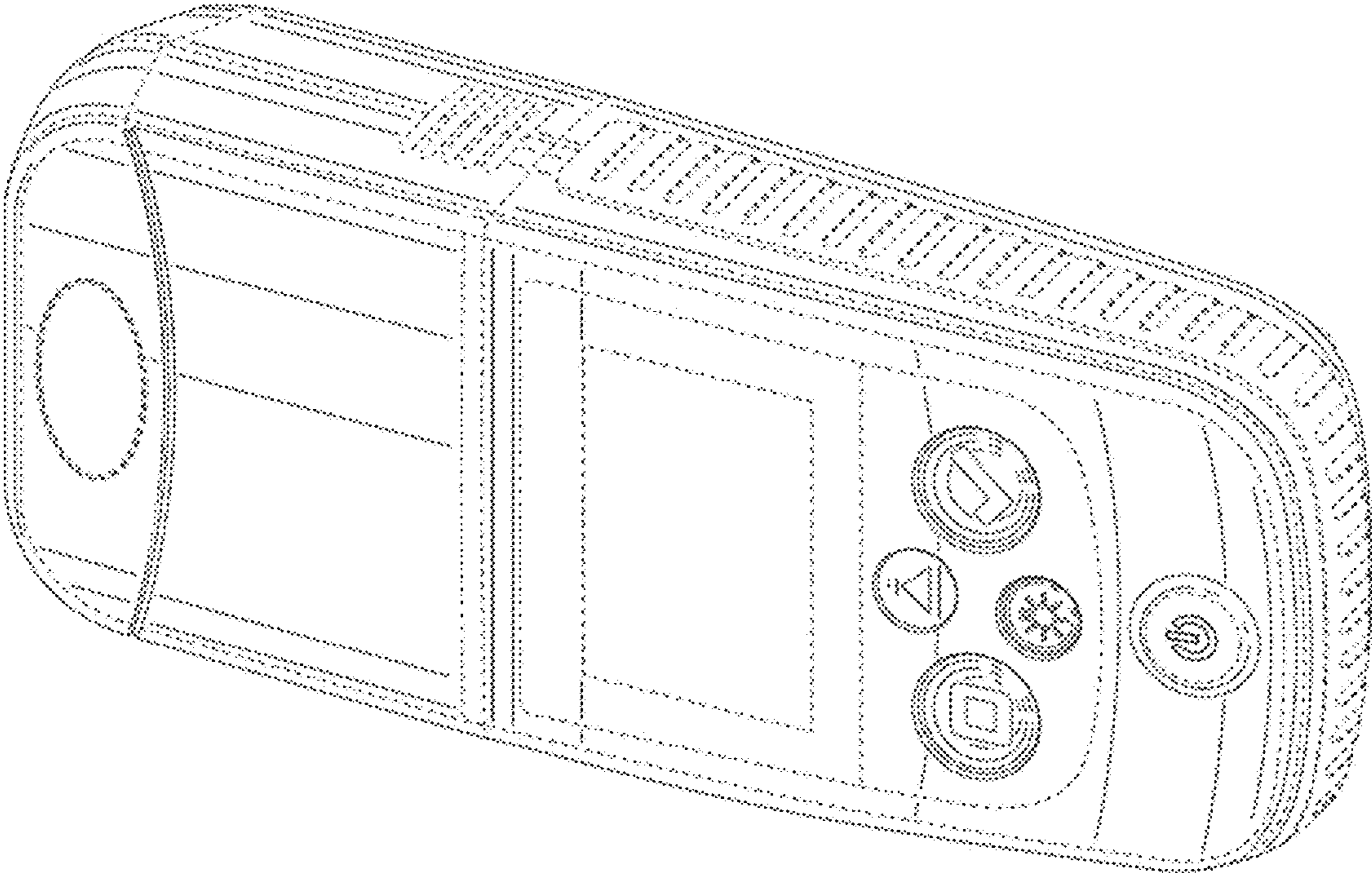


FIG. 1

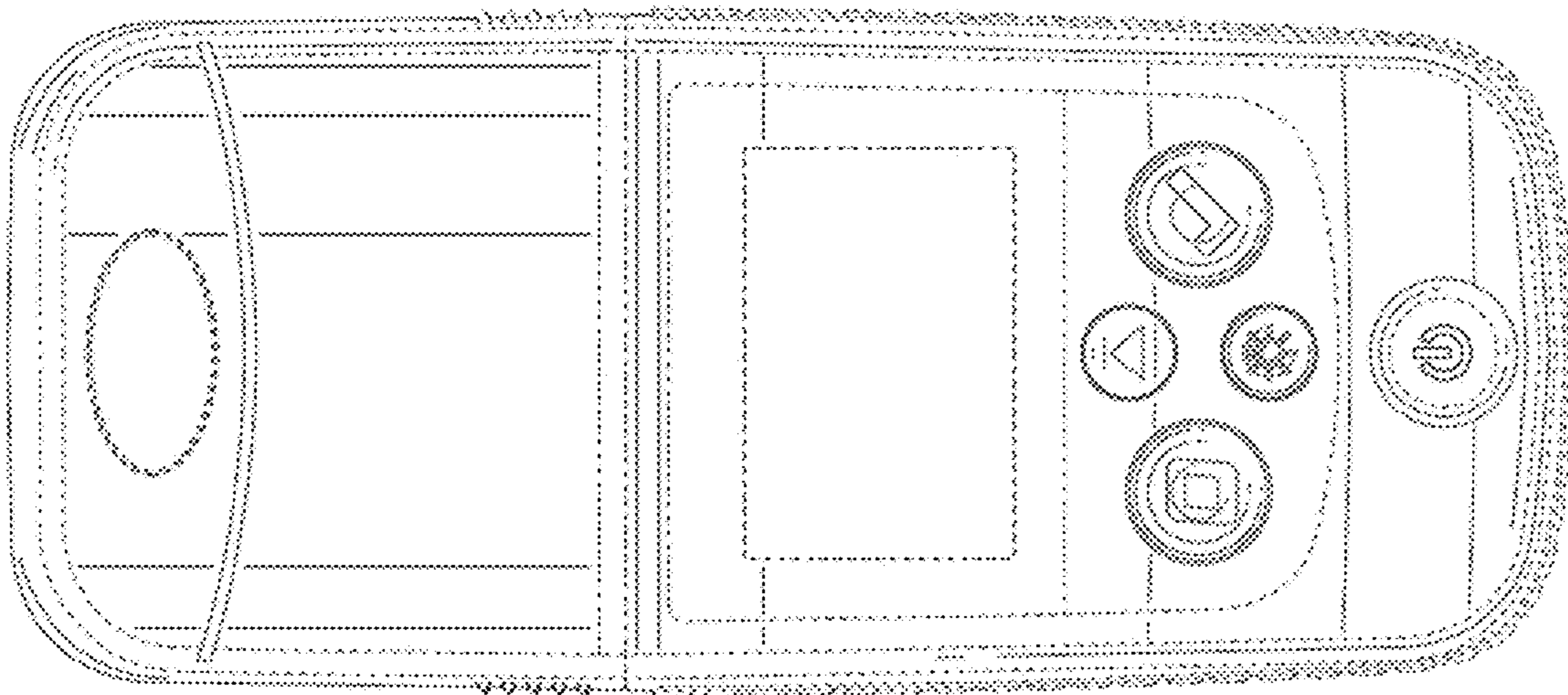


FIG. 2

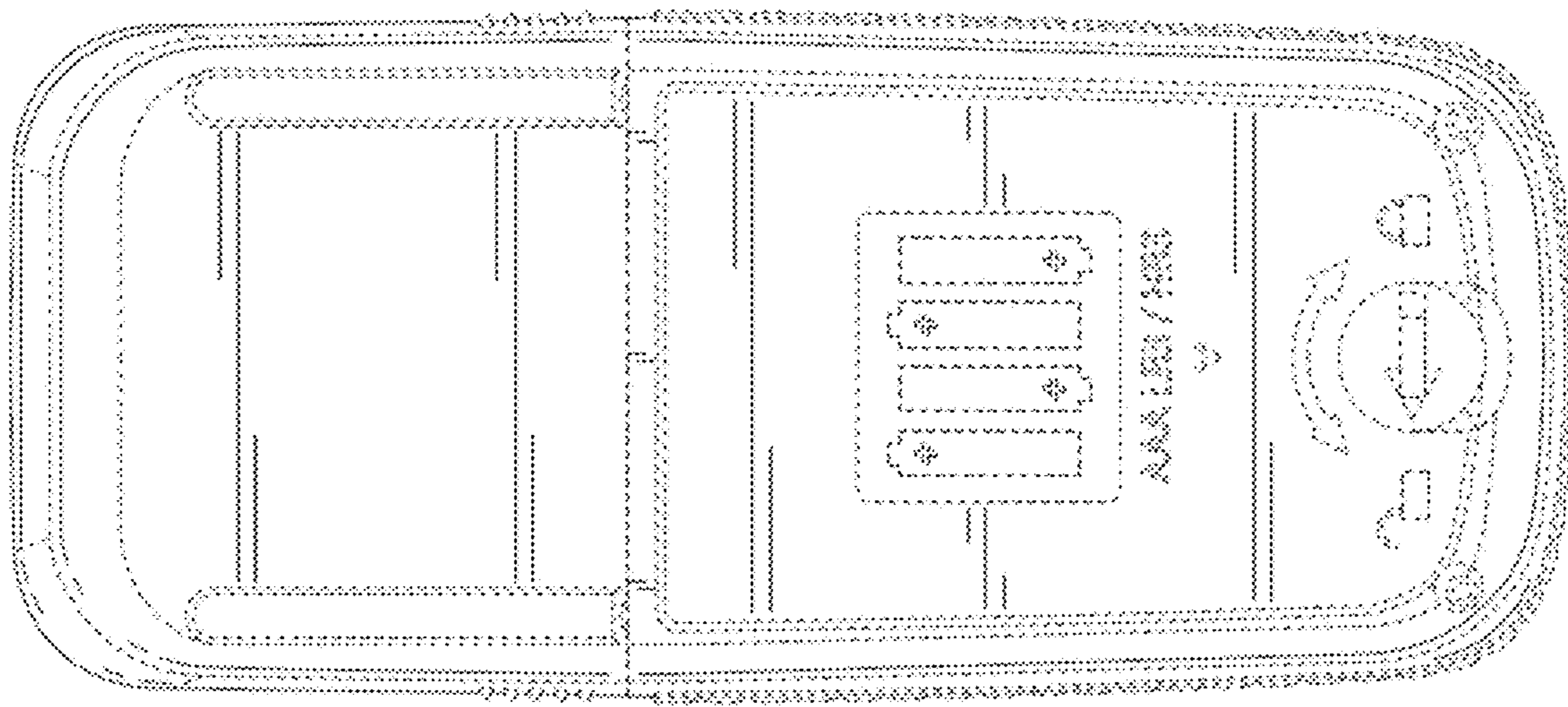


FIG. 3

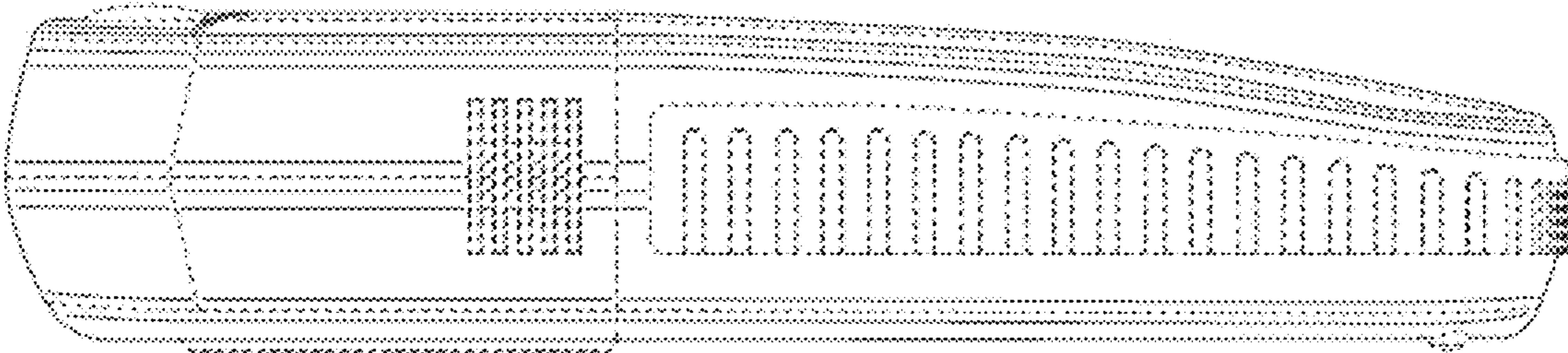


FIG. 4

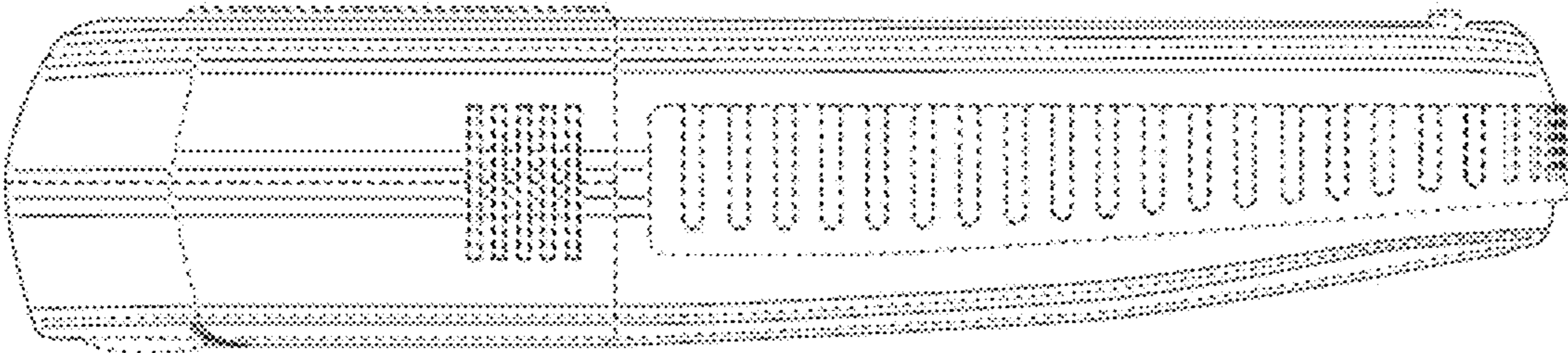


FIG. 5

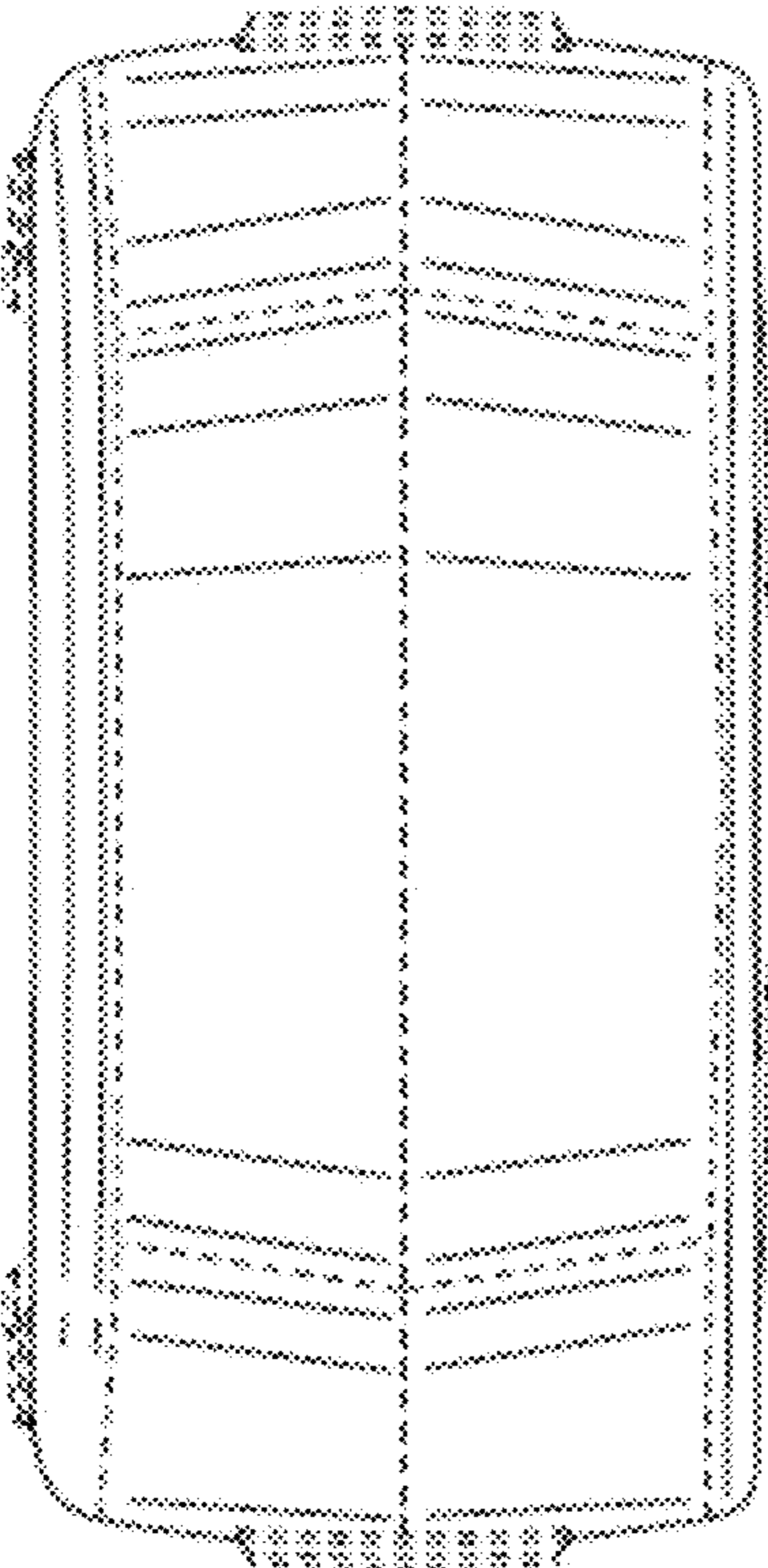


FIG. 6

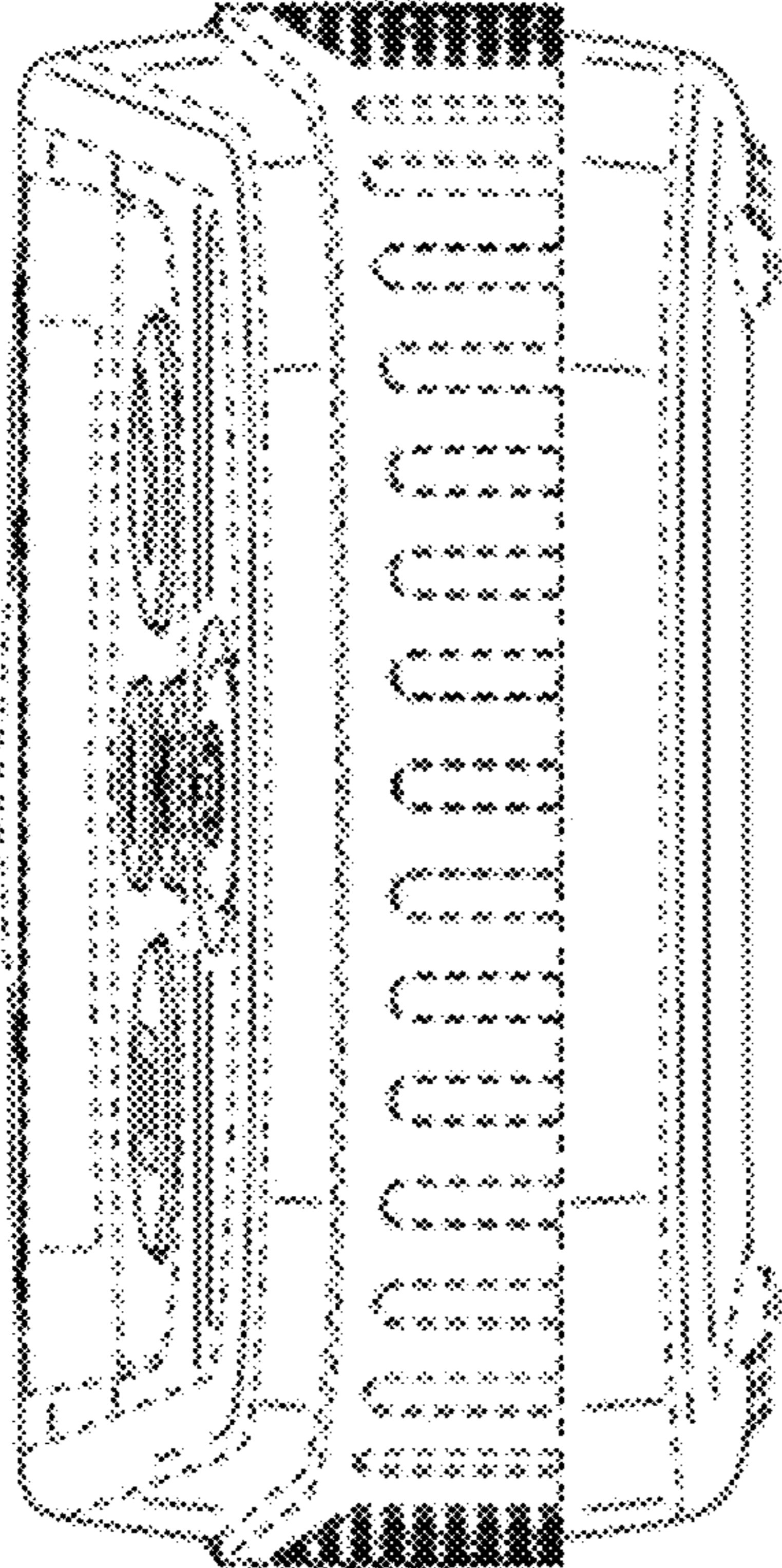


FIG. 7