



US00D883112S

(12) **United States Design Patent**
Cai et al.

(10) **Patent No.:** **US D883,112 S**
(45) **Date of Patent:** **** May 5, 2020**

(54) **LASER REFLECTOR**

(71) Applicant: **AUTEL INTELLIGENT TECHNOLOGY CORP., LTD.**,
Shenzhen, Guangdong (CN)
(72) Inventors: **Zhenyu Cai**, Guangdong (CN);
Xiaolong Wang, Guangdong (CN)
(73) Assignee: **AUTEL INTELLIGENT TECHNOLOGY CORP., LTD.**,
Shenzhen (CN)

(**) Term: **15 Years**

(21) Appl. No.: **29/666,793**

(22) Filed: **Oct. 16, 2018**

(30) **Foreign Application Priority Data**

Apr. 20, 2018 (CN) 2018 3 0166092

(51) **LOC (12) Cl.** **10-04**

(52) **U.S. Cl.**
USPC **D10/70**

(58) **Field of Classification Search**
USPC D10/46, 65, 70
CPC ... G06D 9/00805; G01S 17/017; G01S 17/89;
G01S 17/936; G01S 7/4865; G01S
7/4868; G01S 11/12; G06K 9/4661;
G06K 9/6293; H04N 5/23216

See application file for complete search history.

(56) **References Cited**

U.S. PATENT DOCUMENTS

9,163,936 B1 * 10/2015 Ulmer G01B 11/2513
9,638,642 B2 * 5/2017 Couturier G01N 21/8986
D872,182 S * 1/2020 Engler G01B 11/2513
D21/302

* cited by examiner

Primary Examiner — Antoine Duval Davis

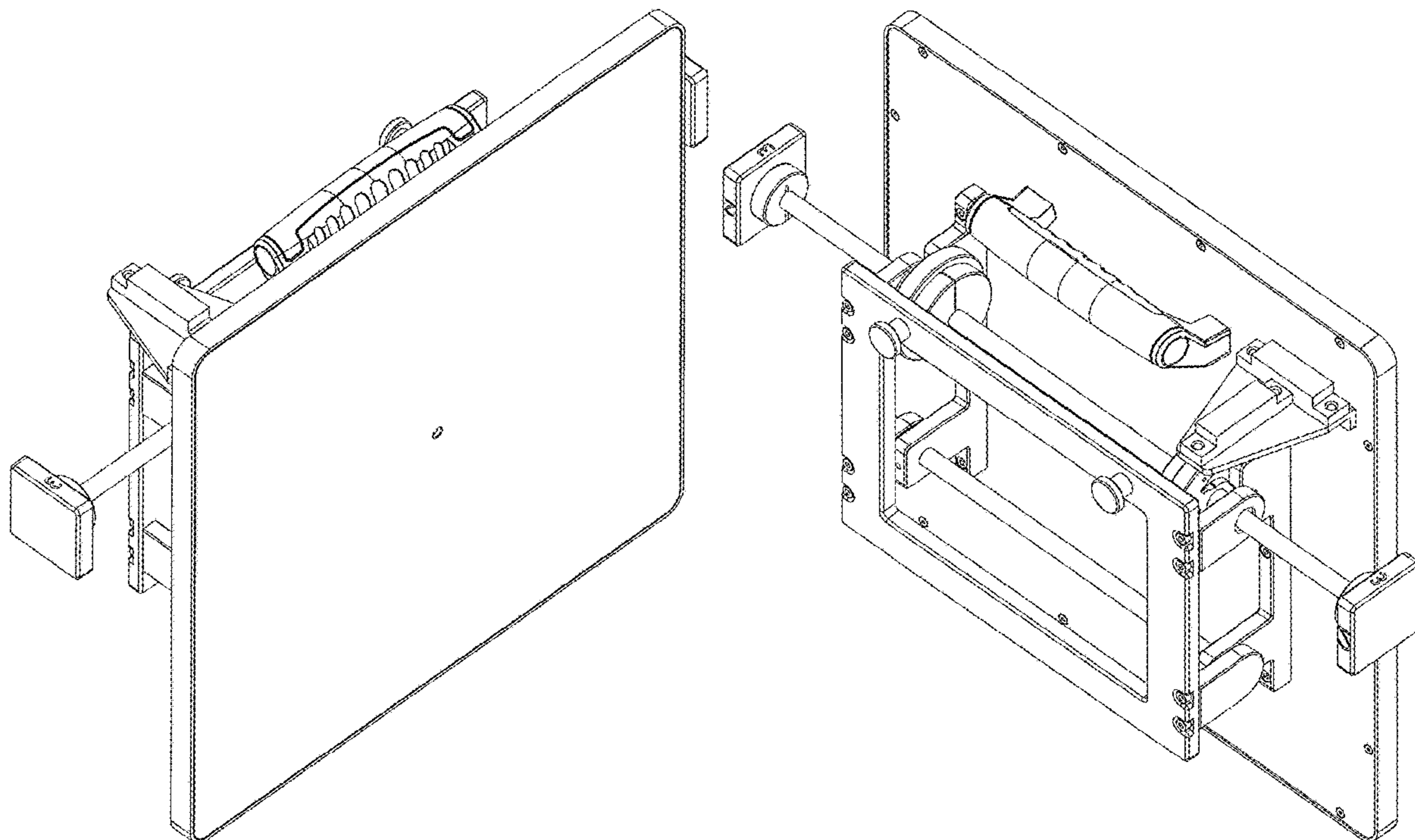
(57) **CLAIM**

The ornamental design for a laser reflector, as shown and described.

DESCRIPTION

FIG. 1 is a front elevational view of a laser reflector, showing our new design;
FIG. 2 is a back elevational view thereof;
FIG. 3 is a left side elevational view thereof;
FIG. 4 is a right side elevational view thereof;
FIG. 5 is a top plan view thereof;
FIG. 6 is a bottom plan view thereof;
FIG. 7 is a perspective view thereof; and,
FIG. 8 is another perspective view thereof.

1 Claim, 5 Drawing Sheets



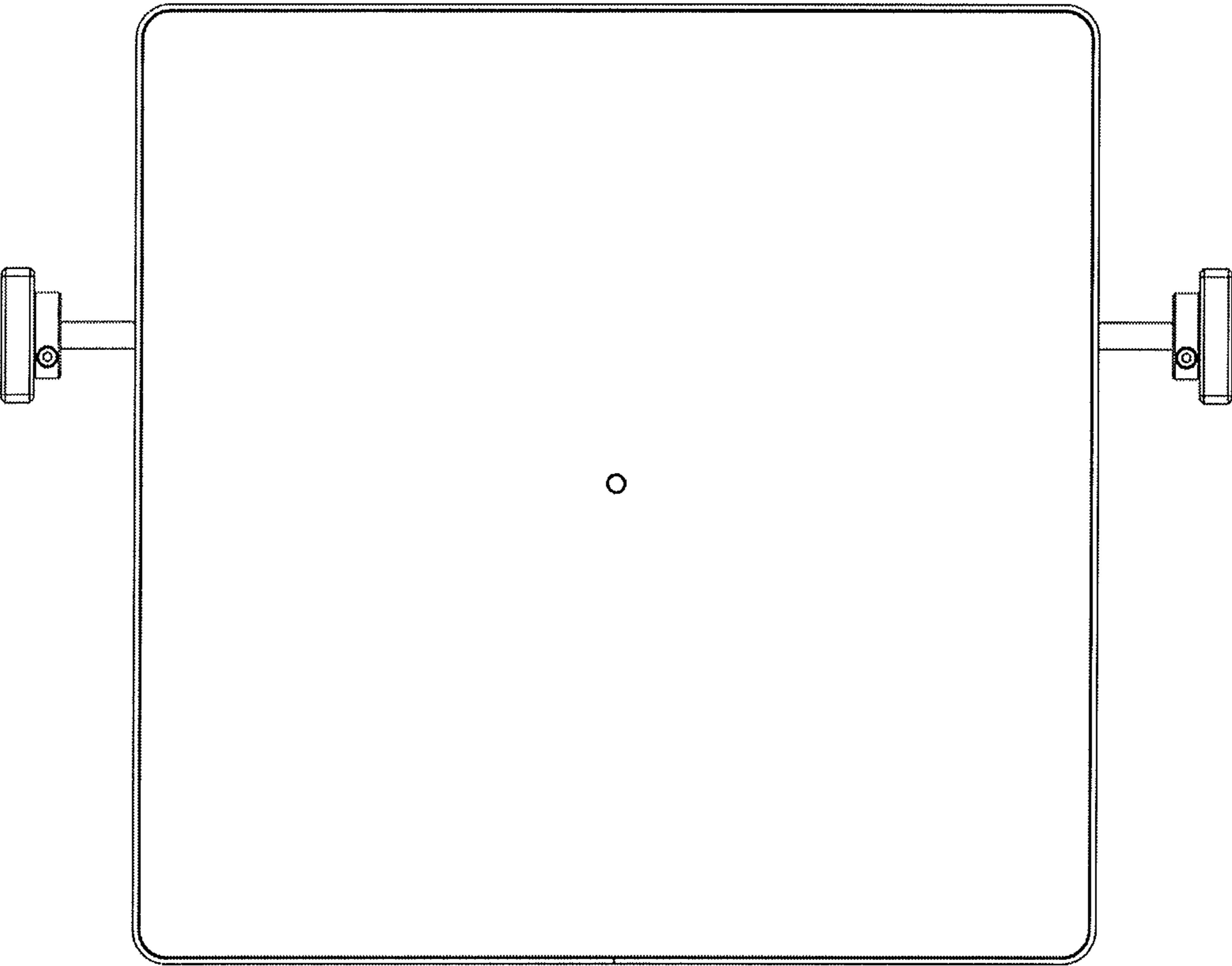


FIG.1

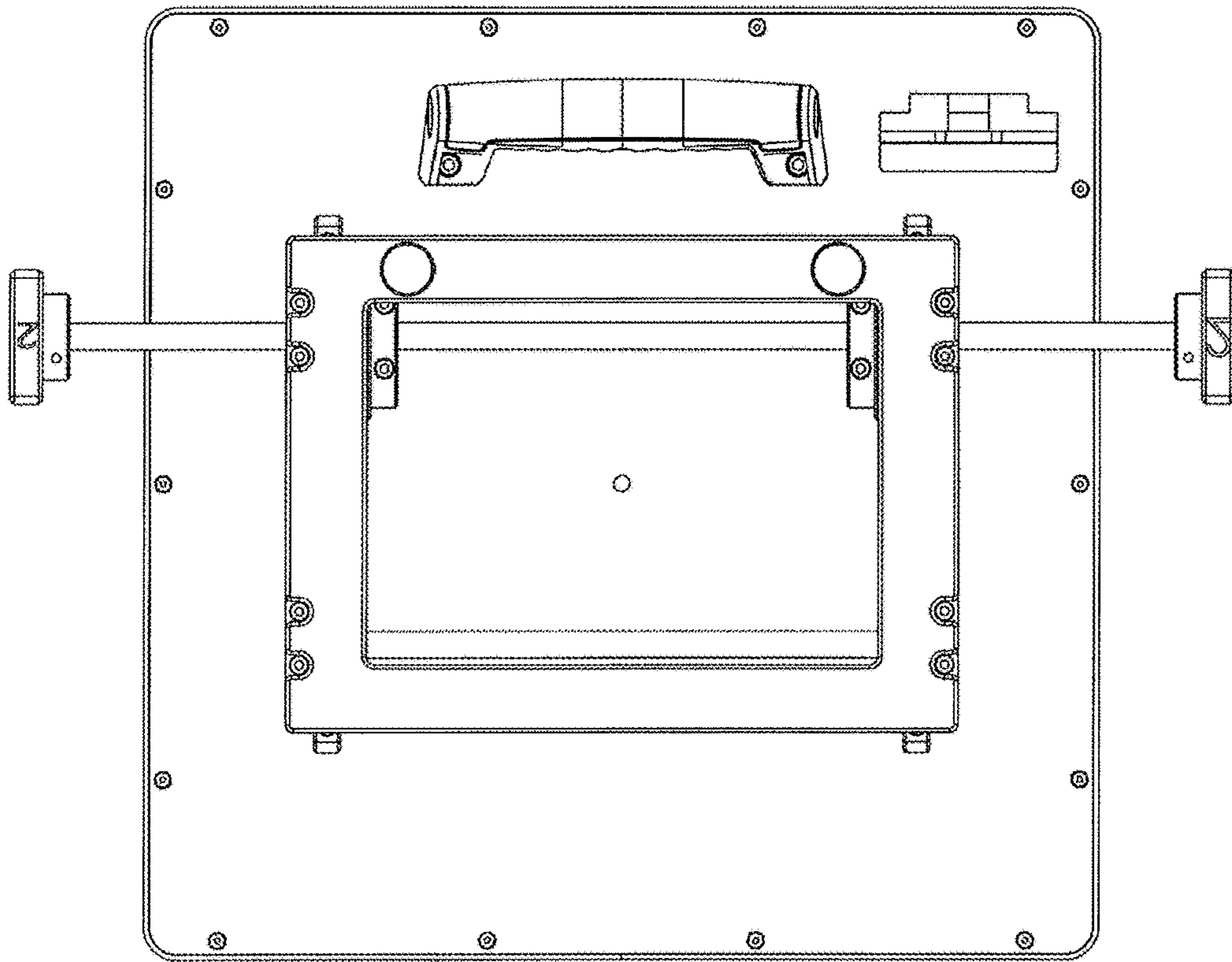


FIG. 2

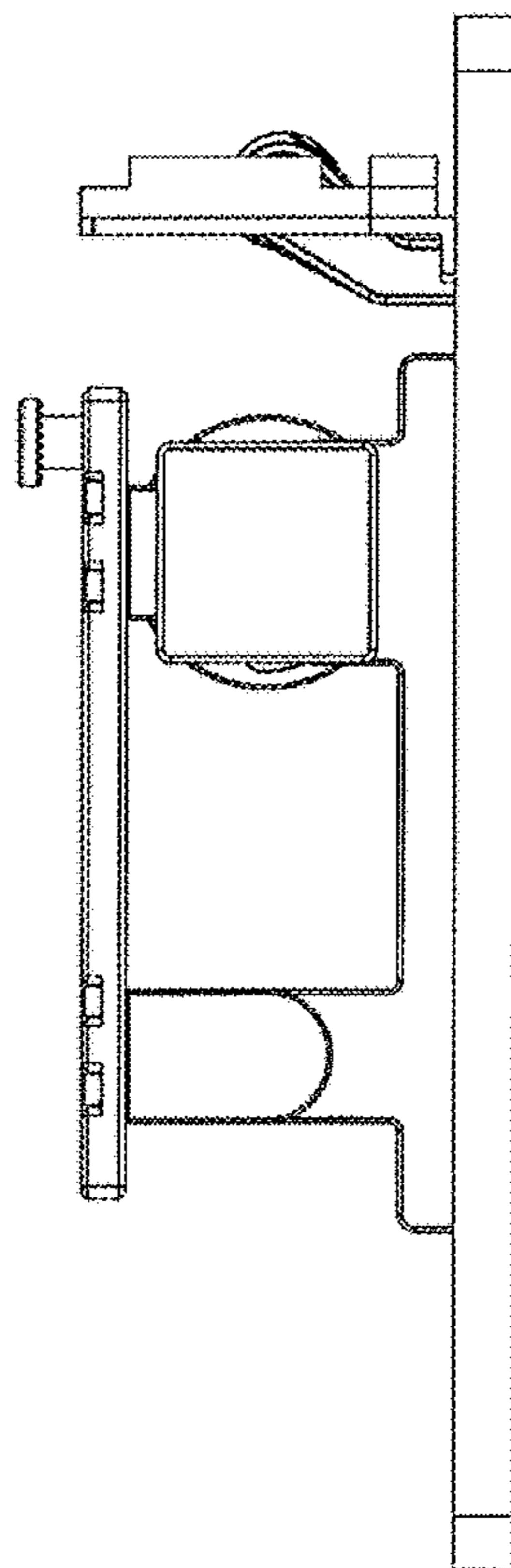


FIG. 3

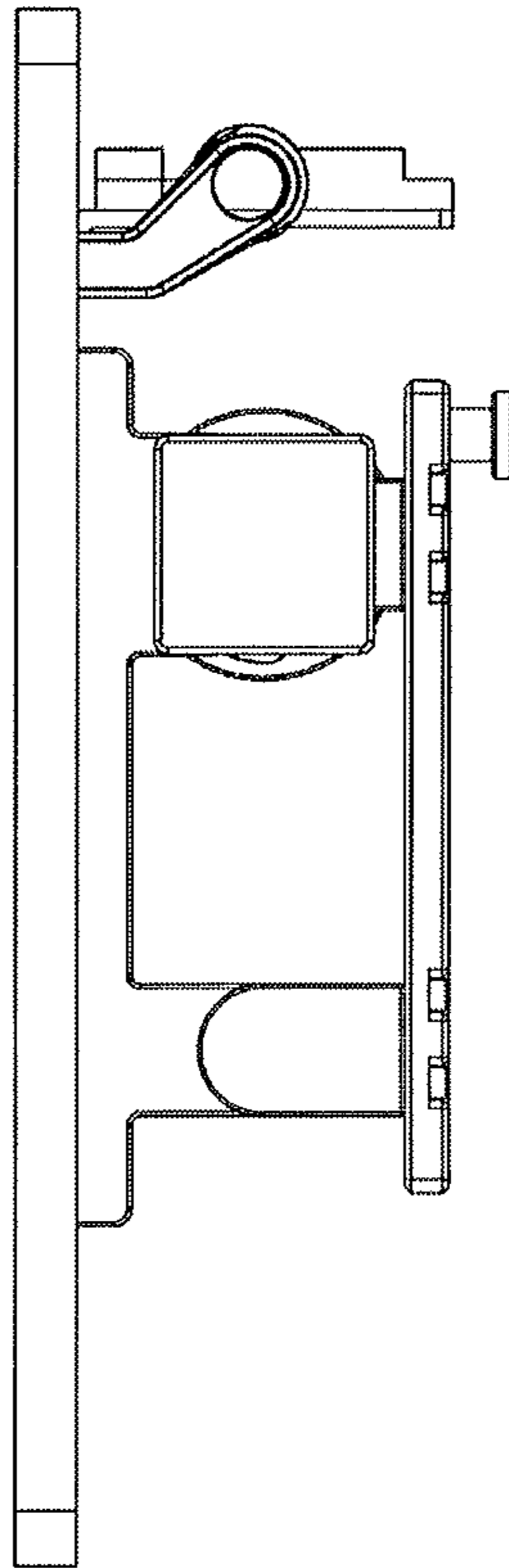


FIG. 4

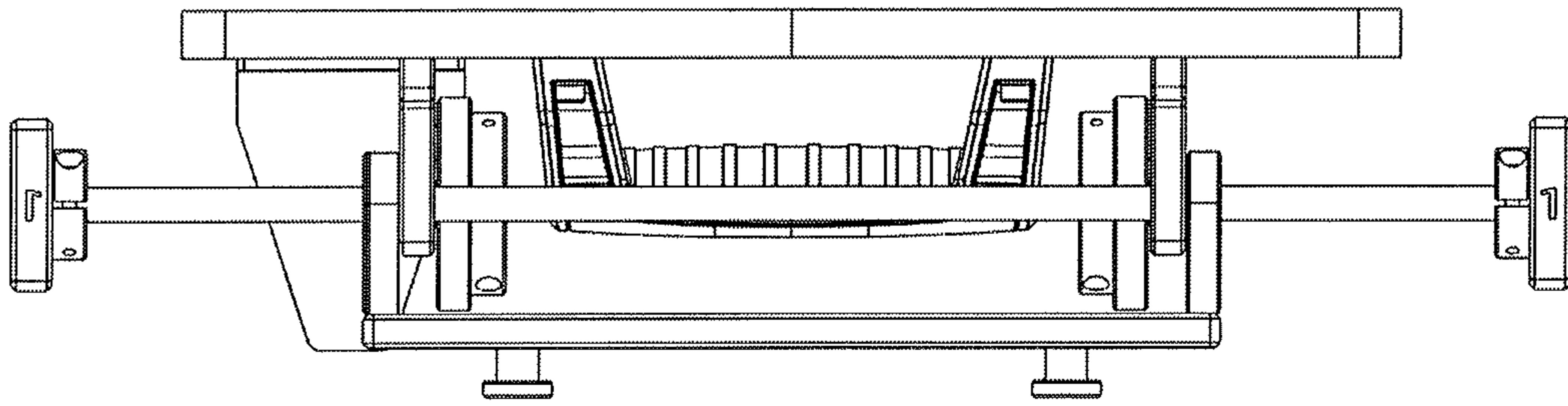


FIG. 5

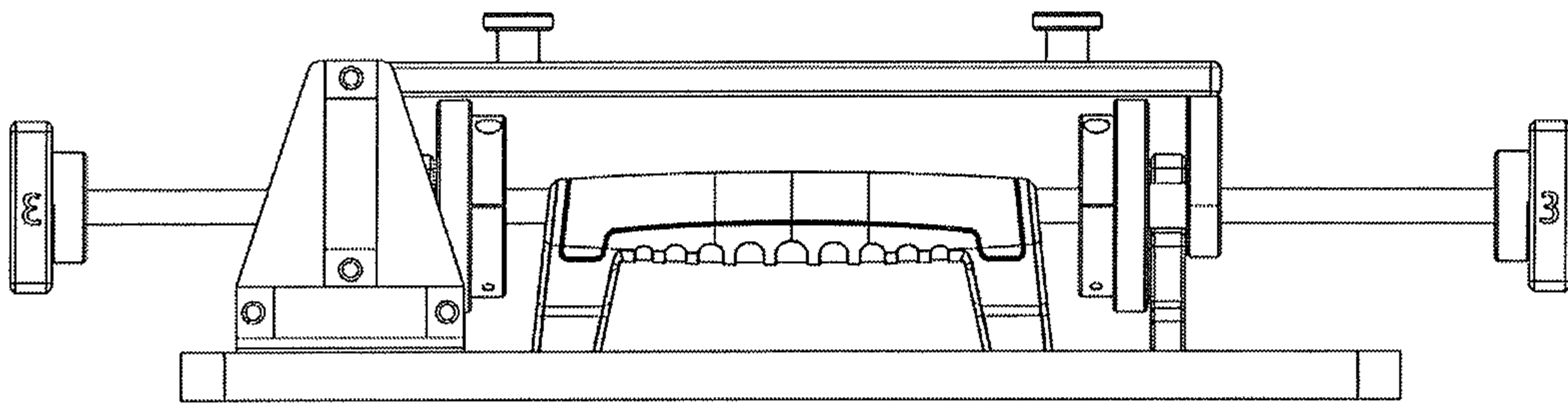


FIG. 6

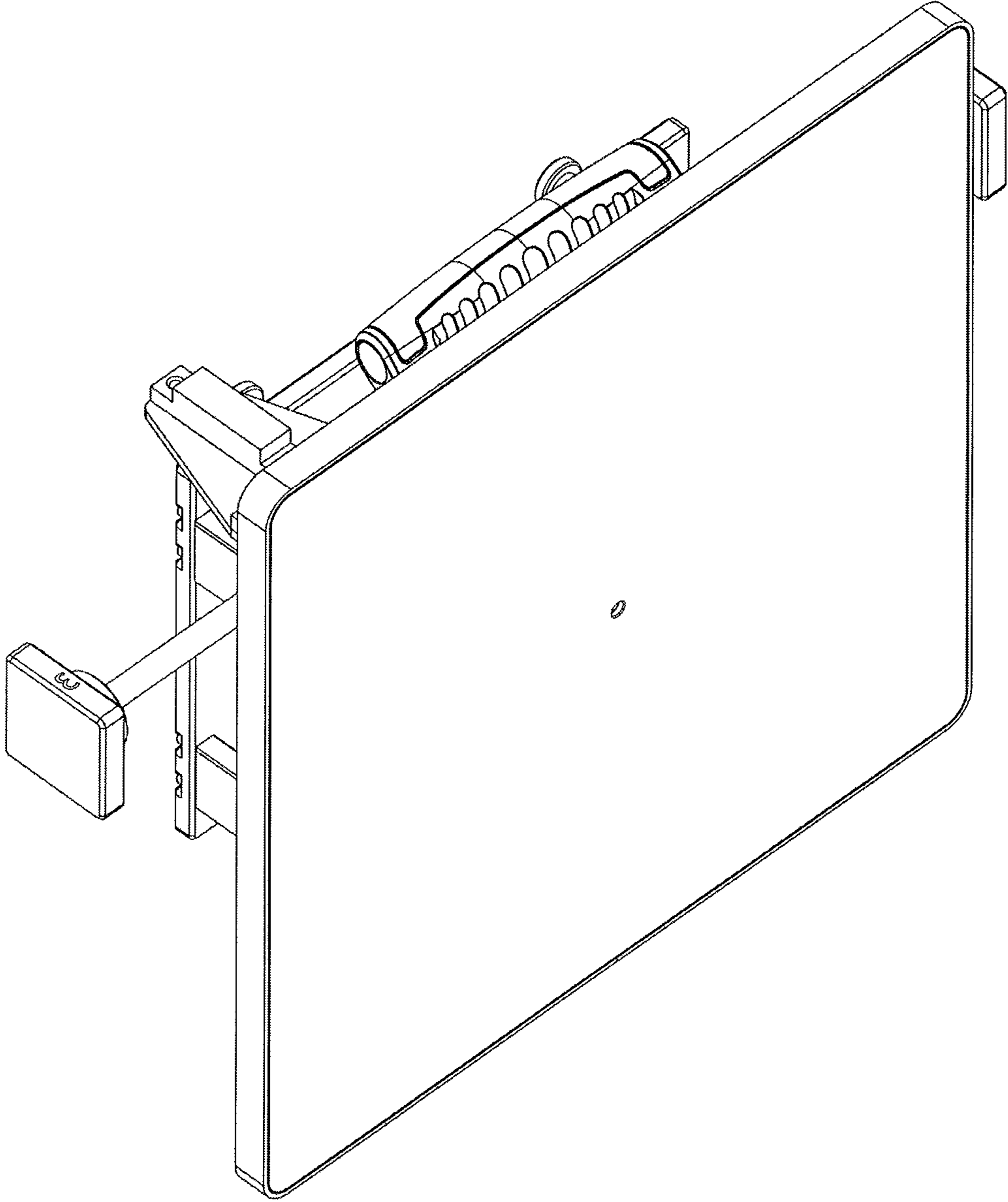


FIG.7

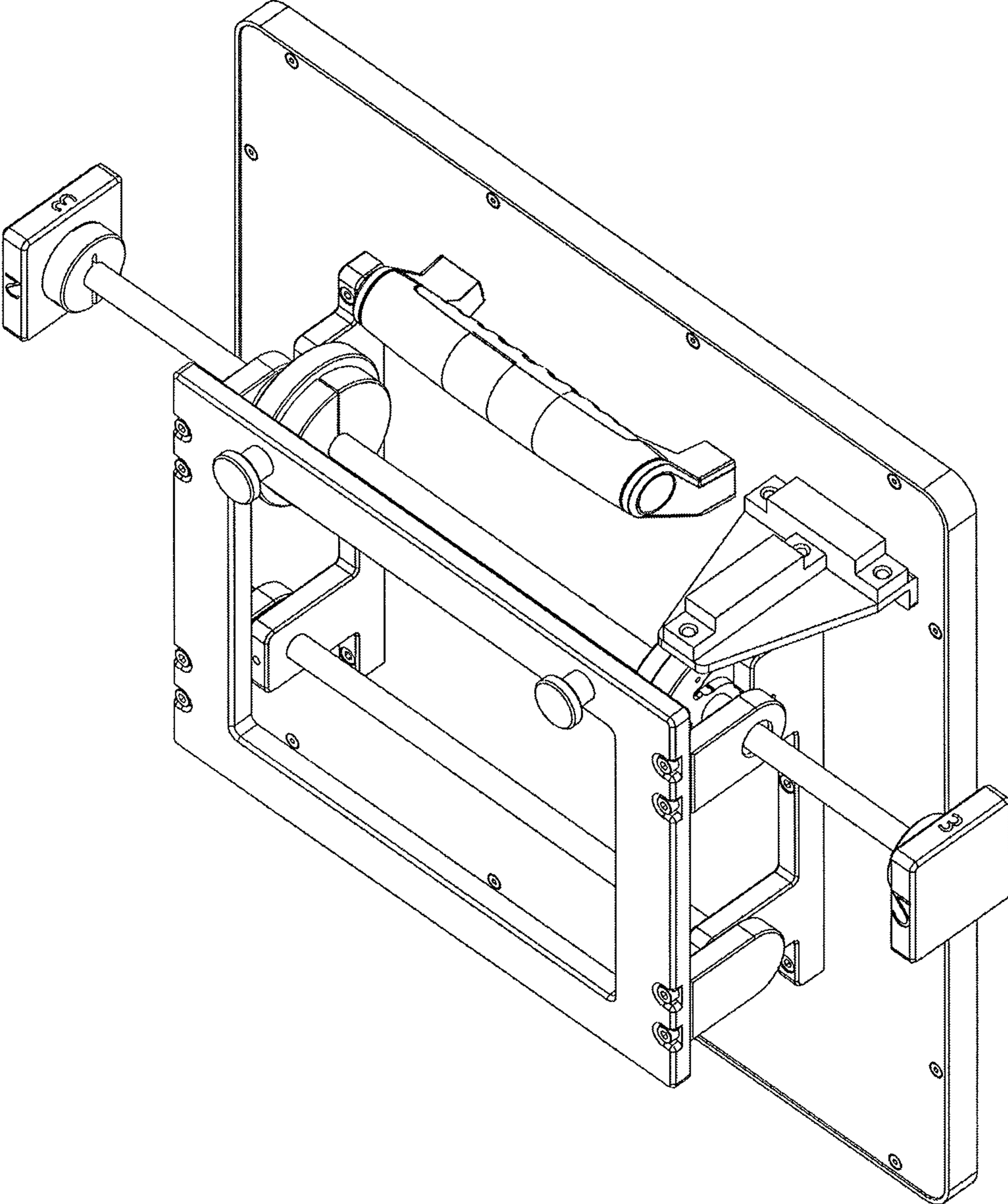


FIG.8