



US00D883111S

(12) **United States Design Patent**  
**Cai**

(10) **Patent No.:** **US D883,111 S**

(45) **Date of Patent:** **\*\* May 5, 2020**

(54) **DOT LASER DEVICE**

(71) Applicant: **AUTEL INTELLIGENT TECHNOLOGY CORP., LTD.**,  
Shenzhen, Guangdong (CN)

(72) Inventor: **Zhenyu Cai**, Guangdong (CN)

(73) Assignee: **AUTEL INTELLIGENT TECHNOLOGY CORP., LTD.**,  
Shenzhen (CN)

(\*\*) Term: **15 Years**

(21) Appl. No.: **29/654,020**

(22) Filed: **Jun. 20, 2018**

(30) **Foreign Application Priority Data**

Dec. 25, 2017 (CN) ..... 2017 3 0666938

(51) **LOC (12) Cl.** ..... **10-04**

(52) **U.S. Cl.**  
USPC ..... **D10/70**

(58) **Field of Classification Search**  
USPC ..... D10/65, 70  
CPC ..... G01B 11/2513; G01B 11/25  
See application file for complete search history.

(56) **References Cited**

U.S. PATENT DOCUMENTS

9,163,936 B1 \* 10/2015 Ulmer ..... G01B 11/2513

\* cited by examiner

*Primary Examiner* — Antoine Duval Davis

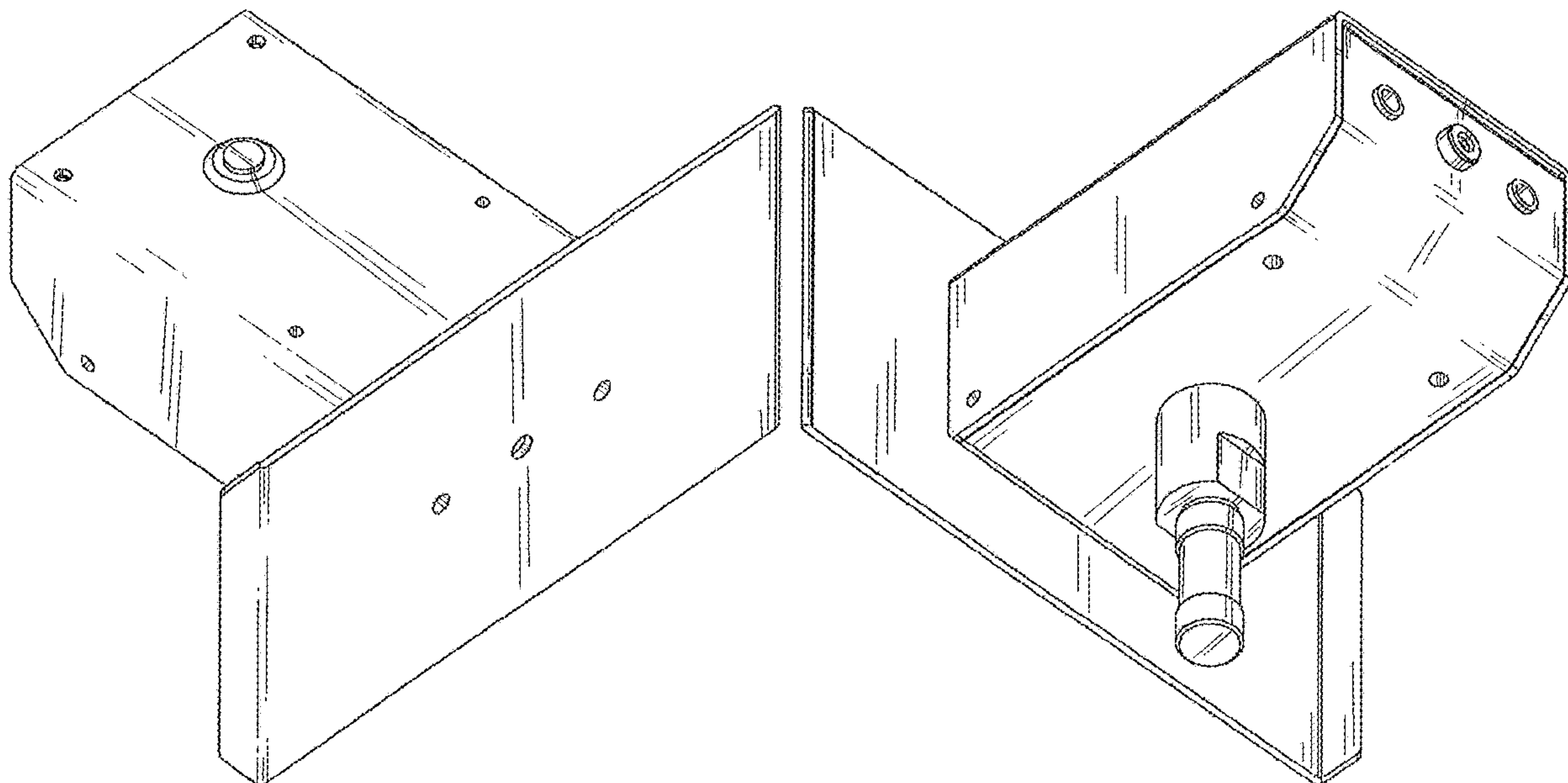
(57) **CLAIM**

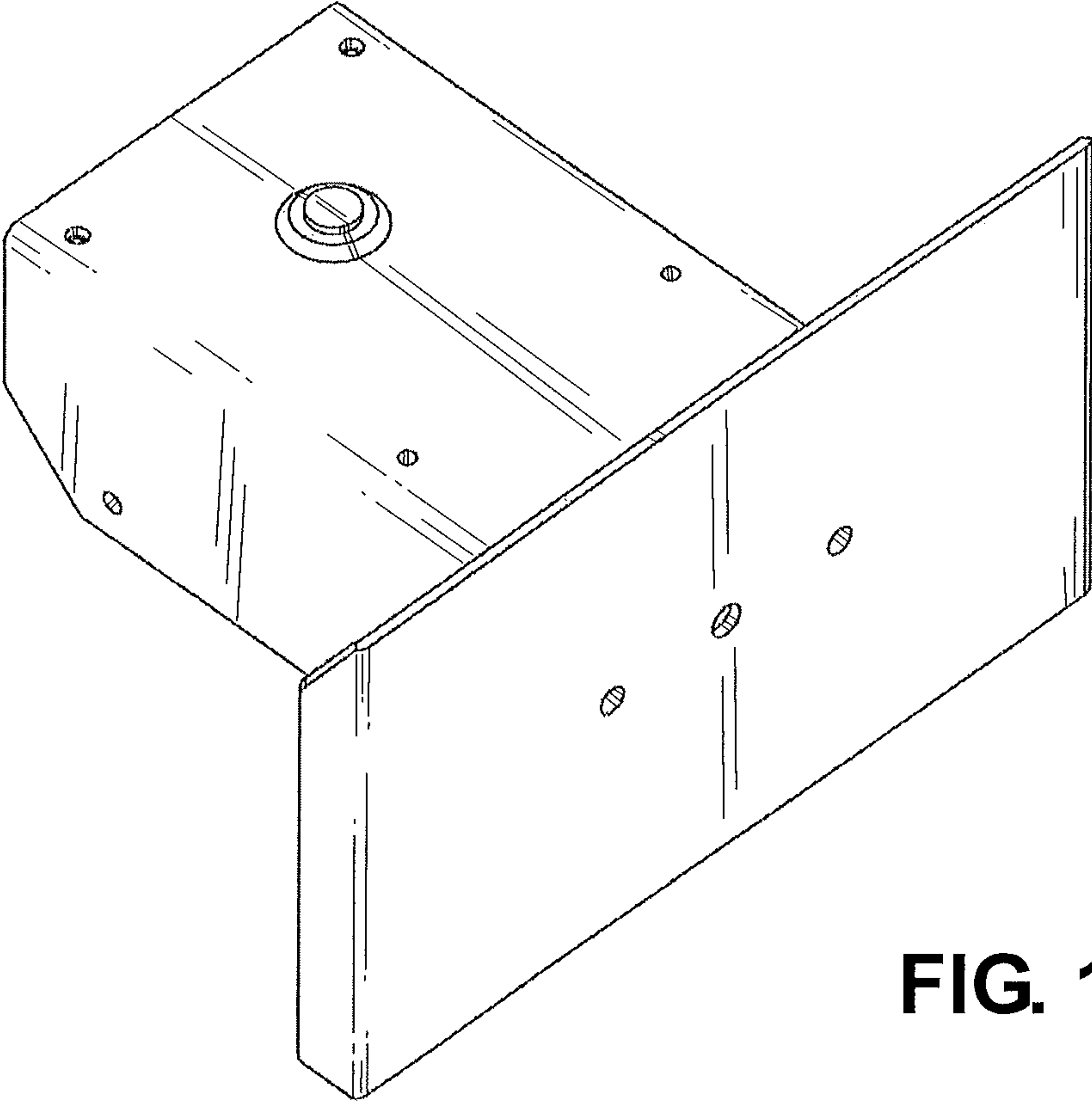
The ornamental design for a dot laser device, as shown and described.

**DESCRIPTION**

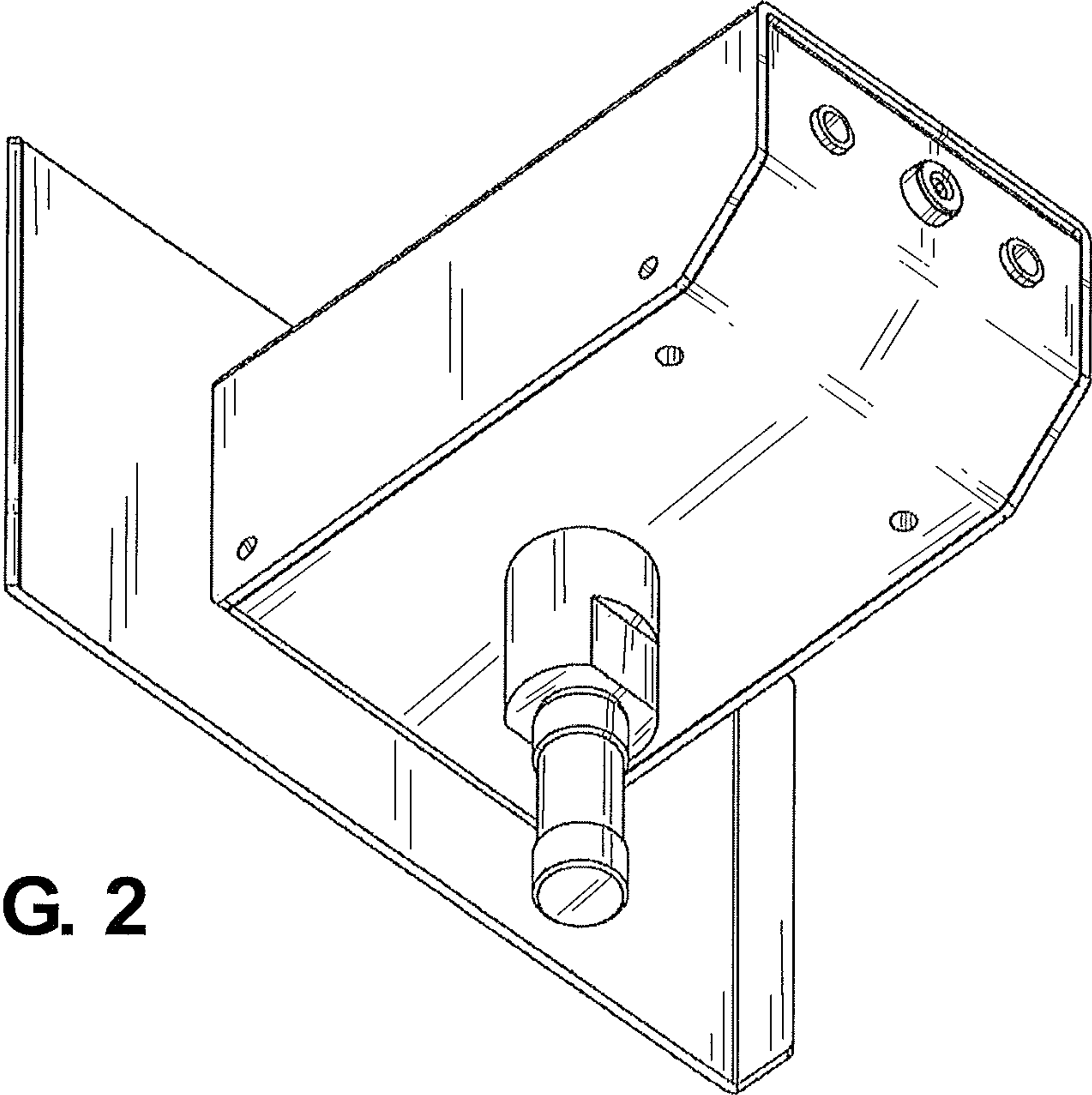
FIG. 1 is a perspective view of a dot laser device showing my new design;  
FIG. 2 is another perspective view thereof;  
FIG. 3 is a front elevational view thereof;  
FIG. 4 is a rear elevational view thereof;  
FIG. 5 is a left side elevational view thereof;  
FIG. 6 is a right side elevational view thereof;  
FIG. 7 is a top plan view thereof; and,  
FIG. 8 is a bottom plan view thereof.

**1 Claim, 4 Drawing Sheets**

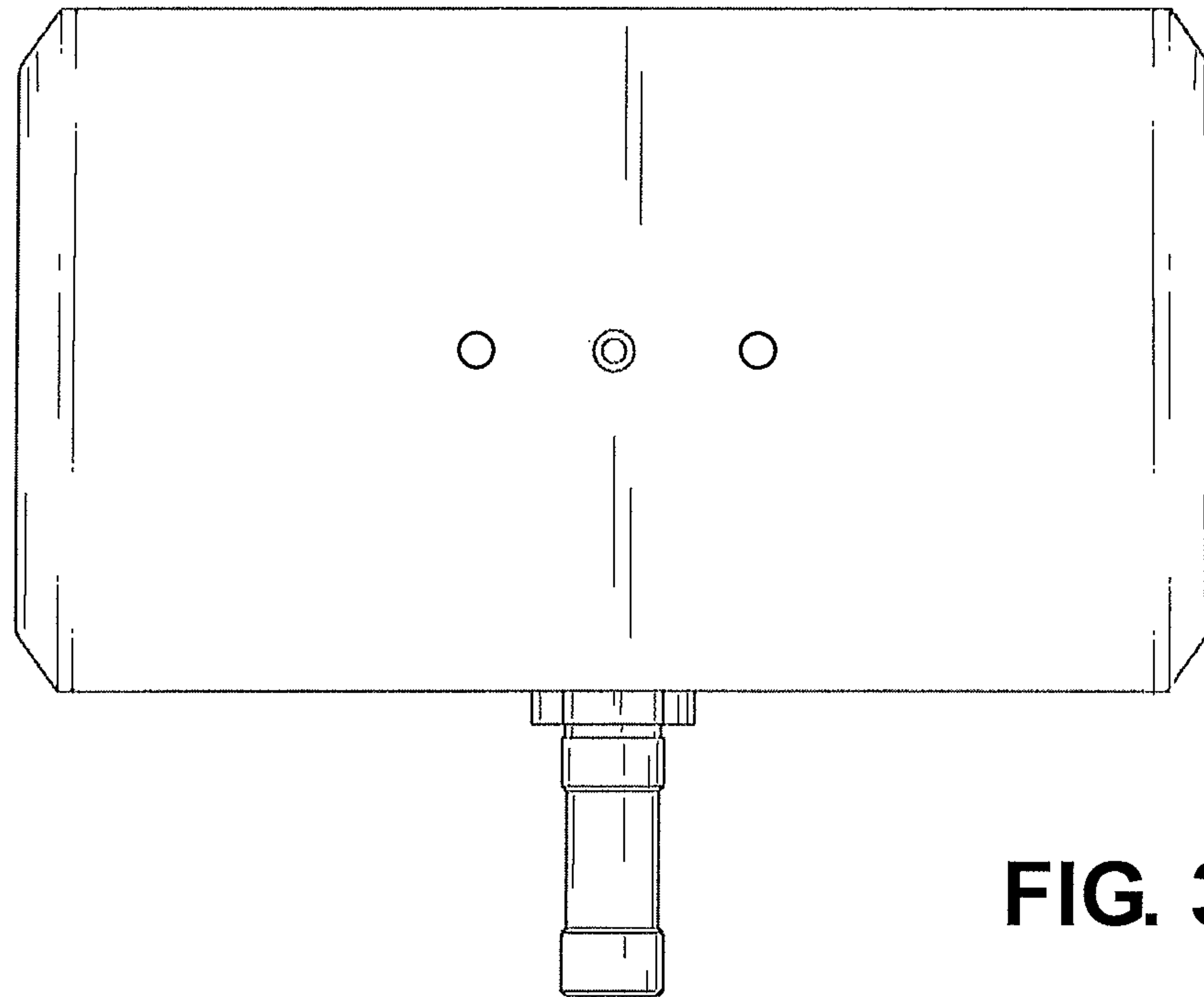




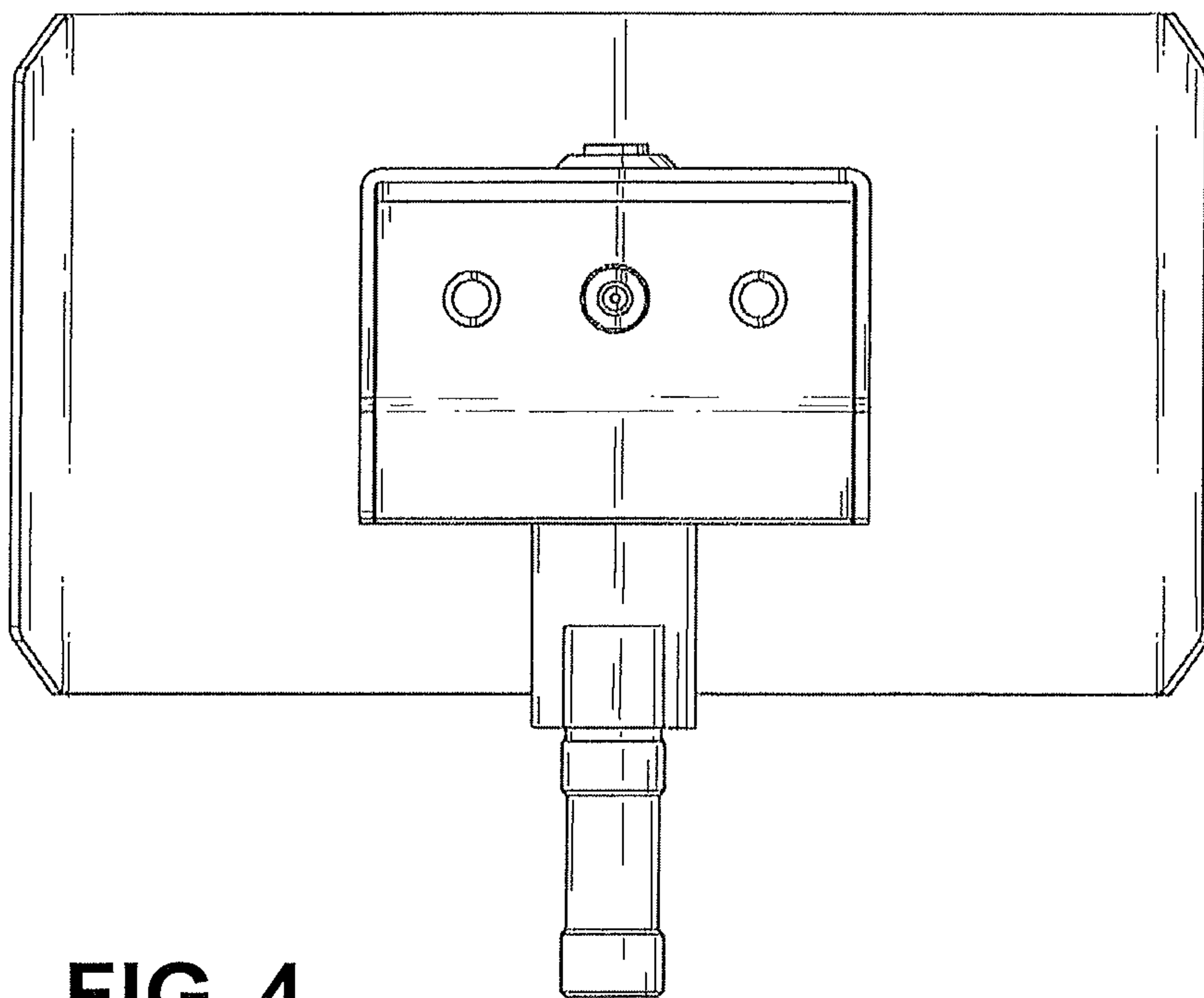
**FIG. 1**



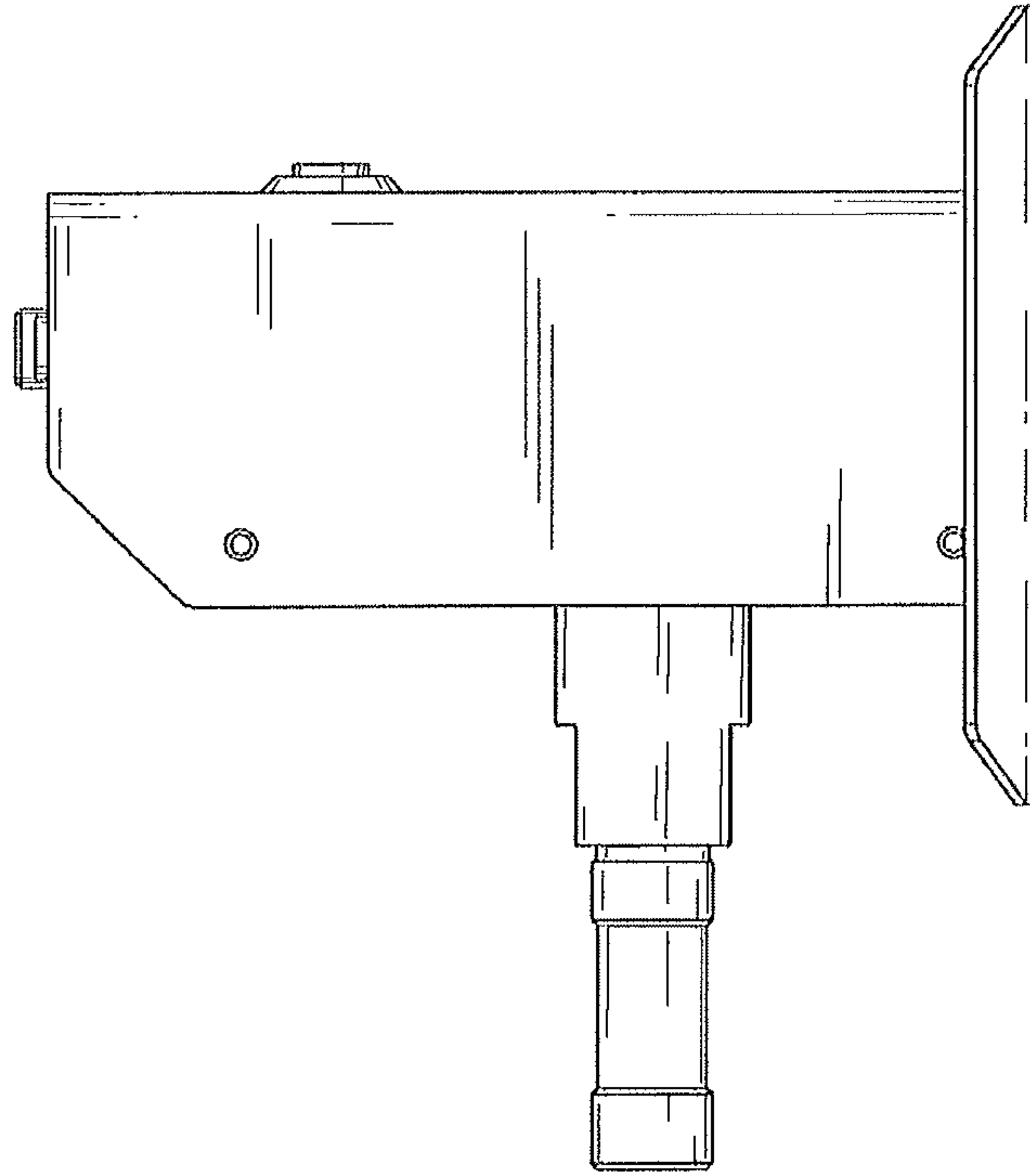
**FIG. 2**



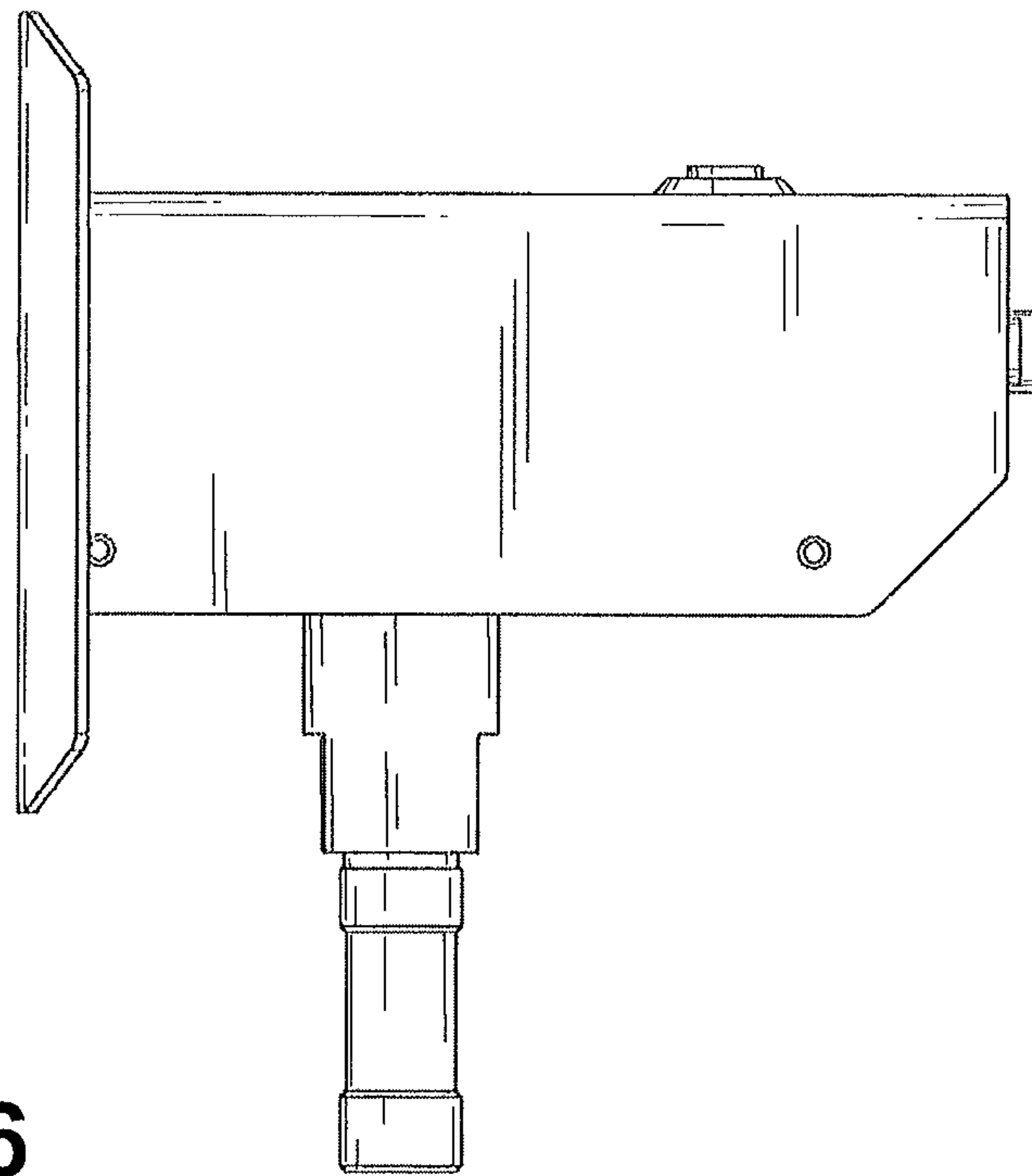
**FIG. 3**



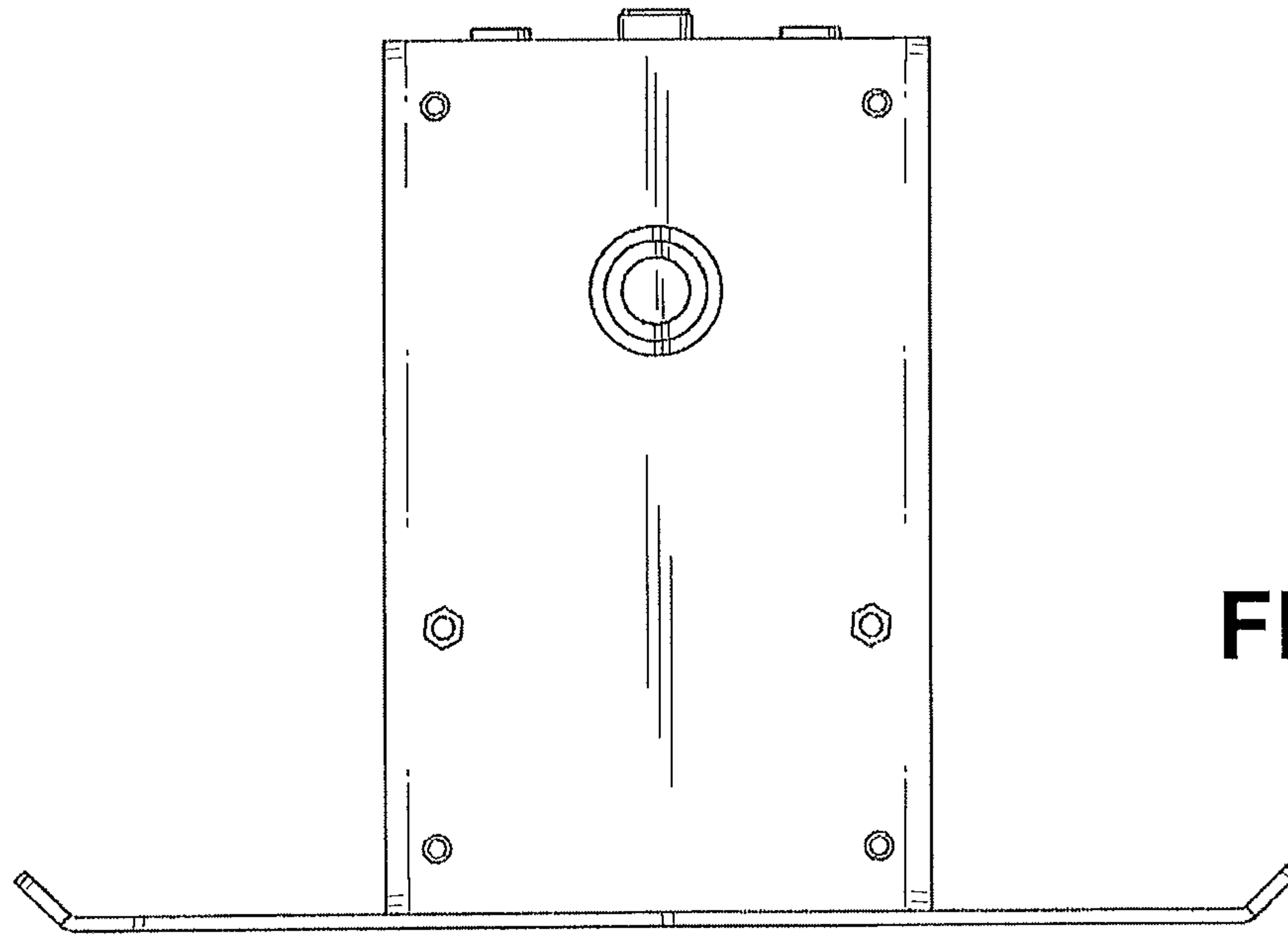
**FIG. 4**



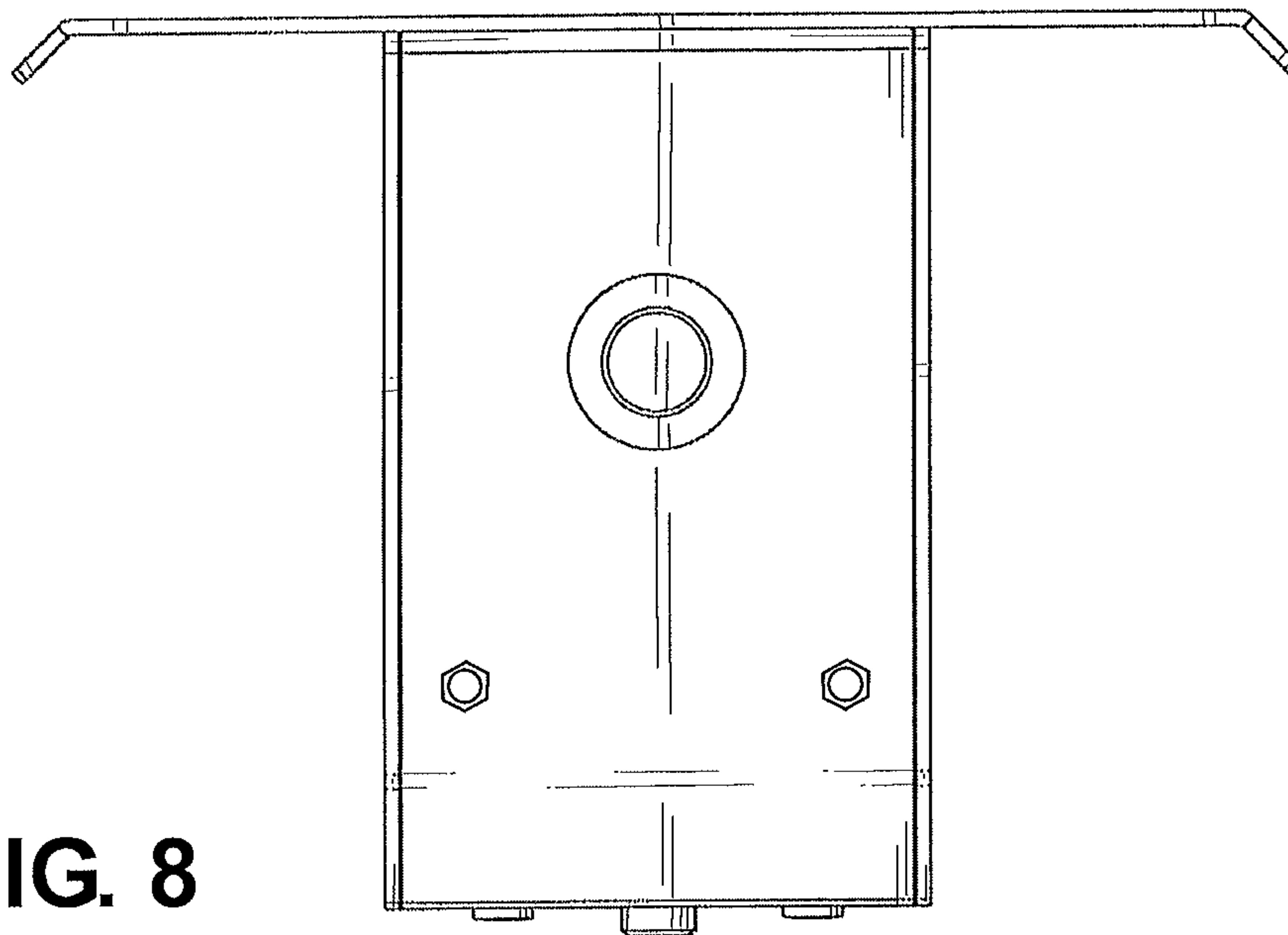
**FIG. 5**



**FIG. 6**



**FIG. 7**



**FIG. 8**