



US00D883110S

(12) **United States Design Patent**
Cai

(10) **Patent No.:** **US D883,110 S**

(45) **Date of Patent:** **** May 5, 2020**

(54) **LINE LASER EMITTER**

(71) Applicant: **AUTEL INTELLIGENT TECHNOLOGY CORP., LTD.**,
Shenzhen, Guangdong (CN)

(72) Inventor: **Zhenyu Cai**, Guangdong (CN)

(73) Assignee: **AUTEL INTELLIGENT TECHNOLOGY CORP., LTD.**,
Shenzhen (CN)

(**) Term: **15 Years**

(21) Appl. No.: **29/653,983**

(22) Filed: **Jun. 20, 2018**

(30) **Foreign Application Priority Data**

Dec. 21, 2017 (CN) 2017 3 0658757

(51) **LOC (12) Cl.** **10-04**

(52) **U.S. Cl.**
USPC **D10/70**

(58) **Field of Classification Search**
USPC D10/65, 70
CPC G01B 11/2513; G01B 11/25
See application file for complete search history.

(56) **References Cited**

U.S. PATENT DOCUMENTS

9,163,936 B1 * 10/2015 Ulmer G01B 11/2513

* cited by examiner

Primary Examiner — Antoine Duval Davis

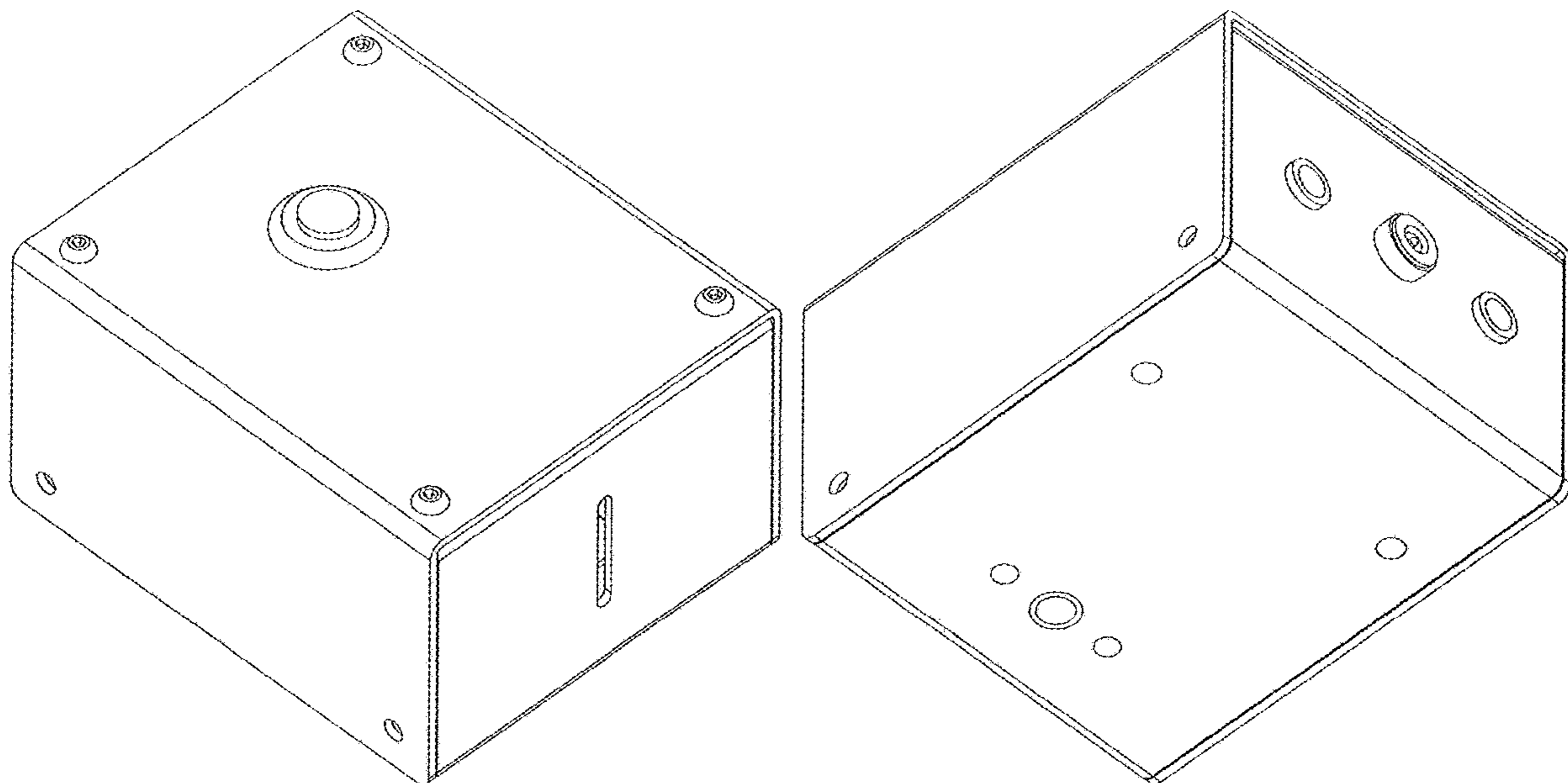
(57) **CLAIM**

The ornamental design for a line laser emitter, as shown and described.

DESCRIPTION

FIG. 1 is a front elevational view of a line laser emitter showing our new design;
FIG. 2 is a rear elevational view thereof;
FIG. 3 is a left side elevational view thereof;
FIG. 4 is a right side elevational view thereof;
FIG. 5 is a top plan view thereof;
FIG. 6 is a bottom plan view thereof;
FIG. 7 is a perspective view thereof; and,
FIG. 8 is another perspective view thereof.

1 Claim, 5 Drawing Sheets



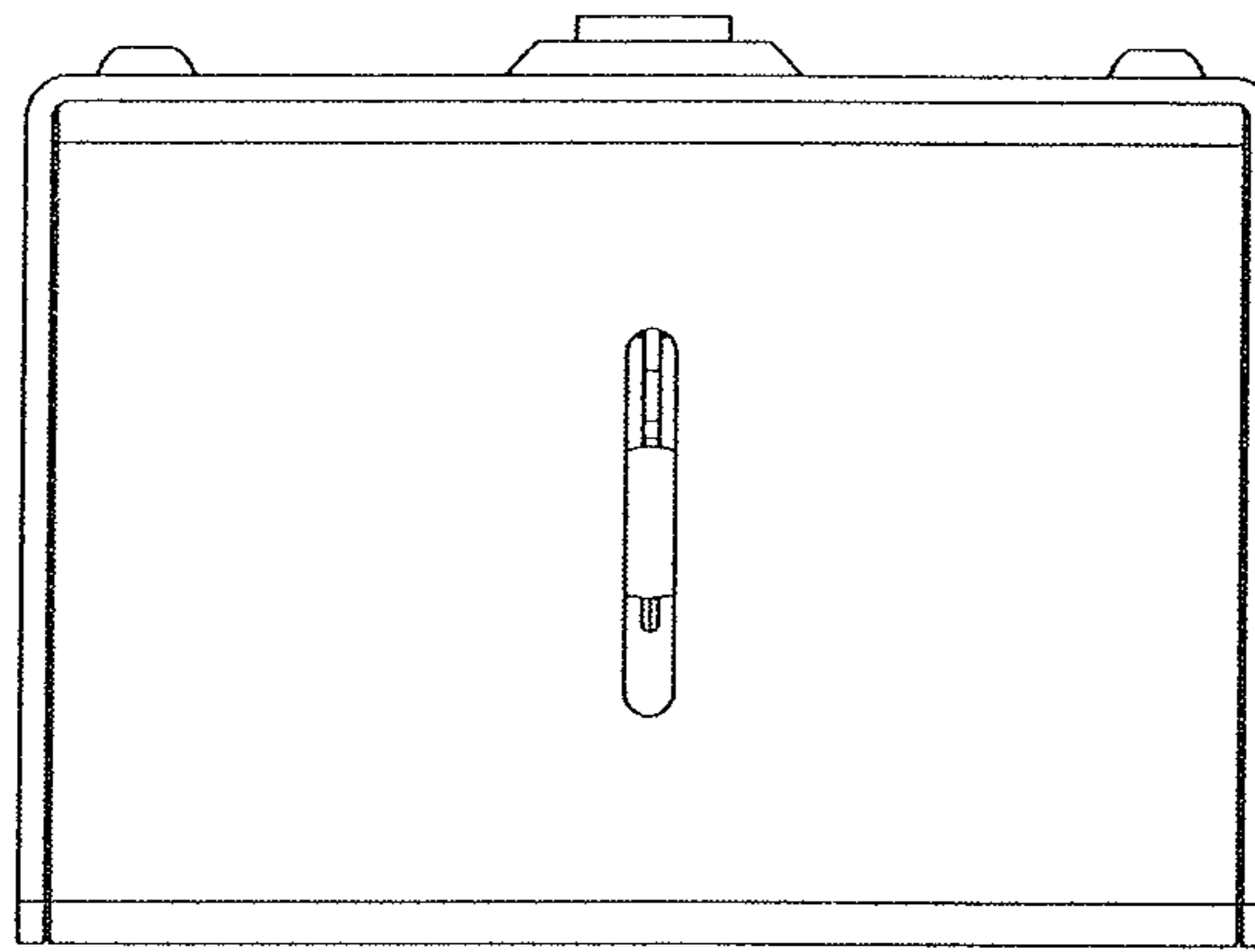


FIG.1

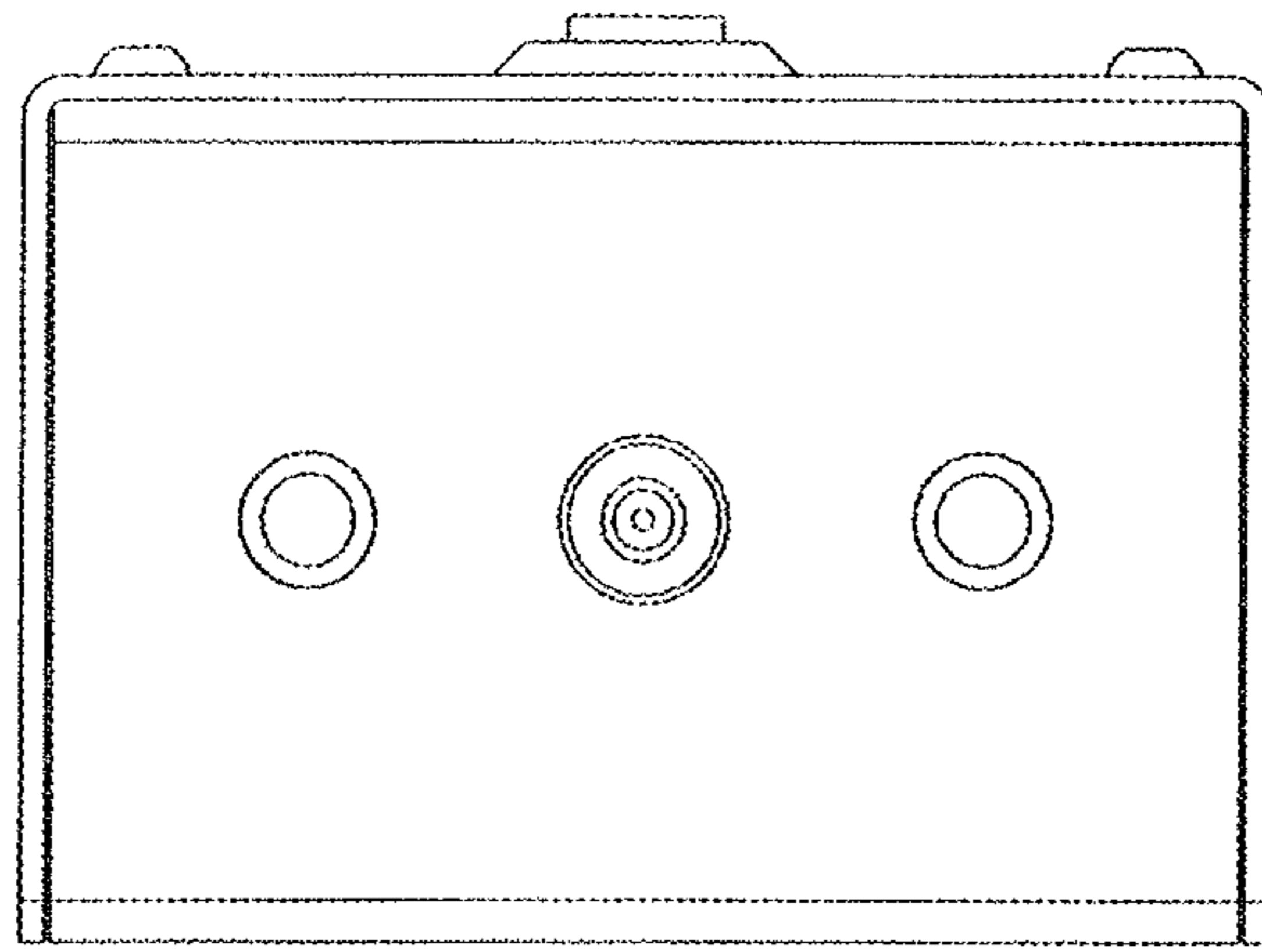


FIG.2

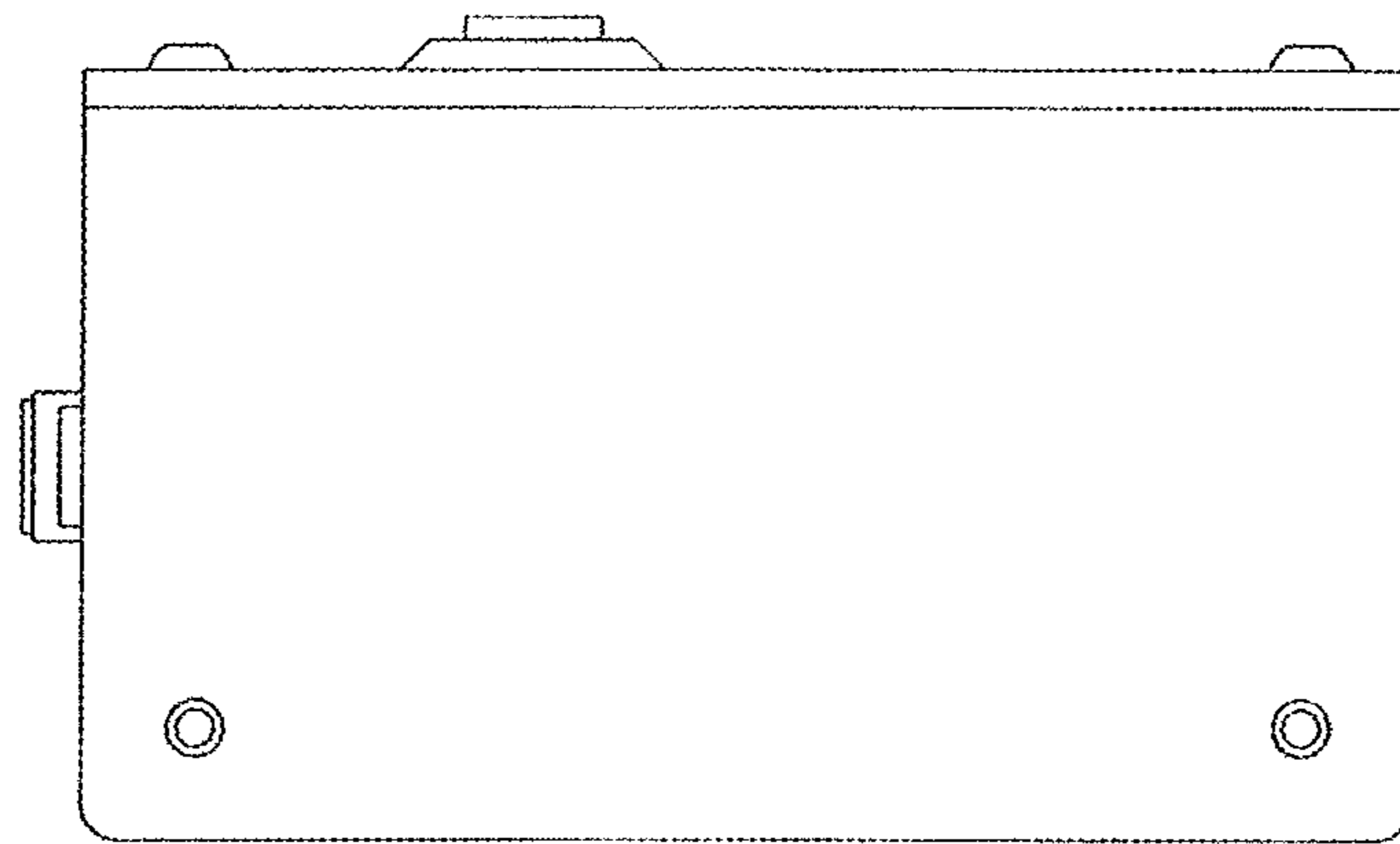


FIG.3

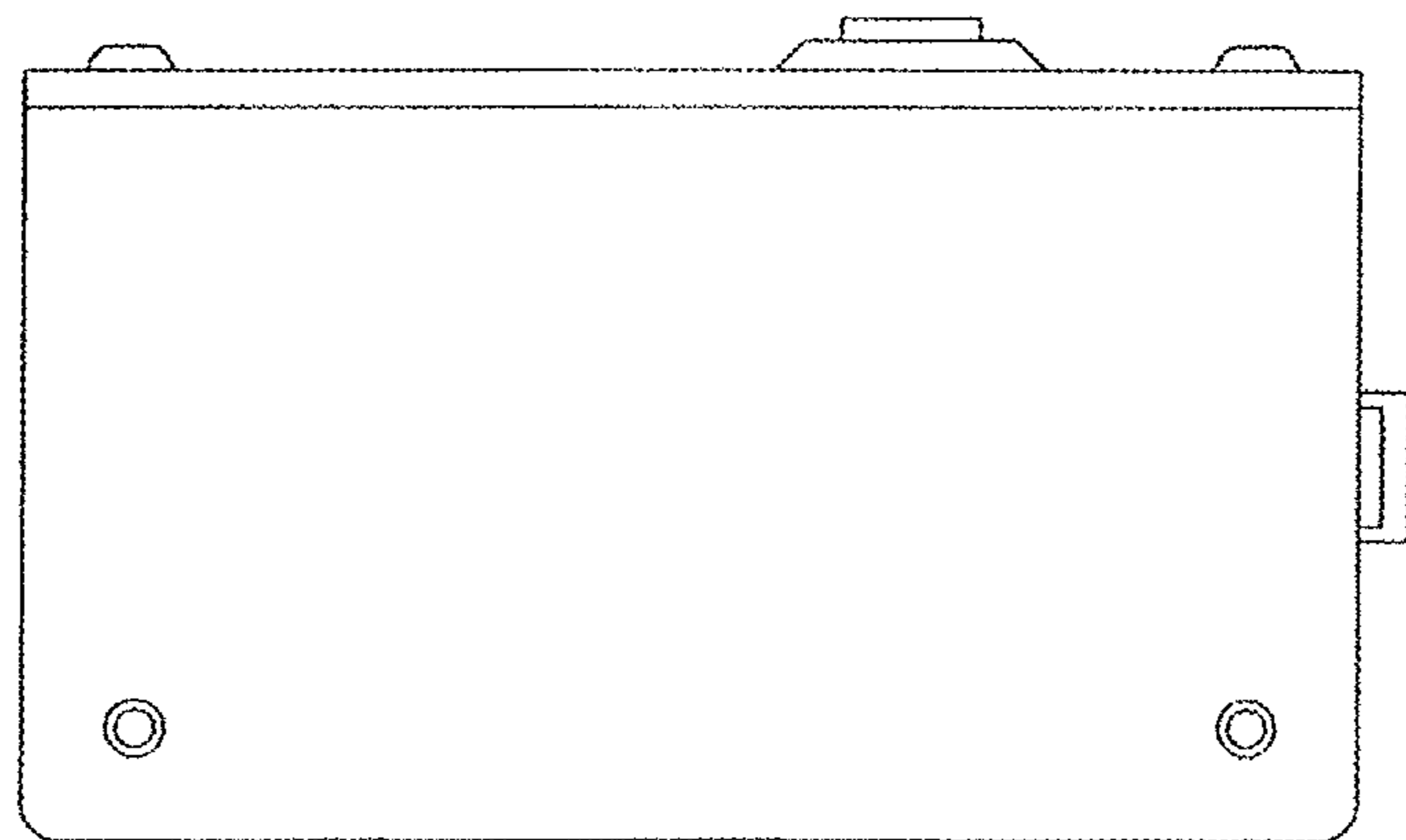


FIG.4

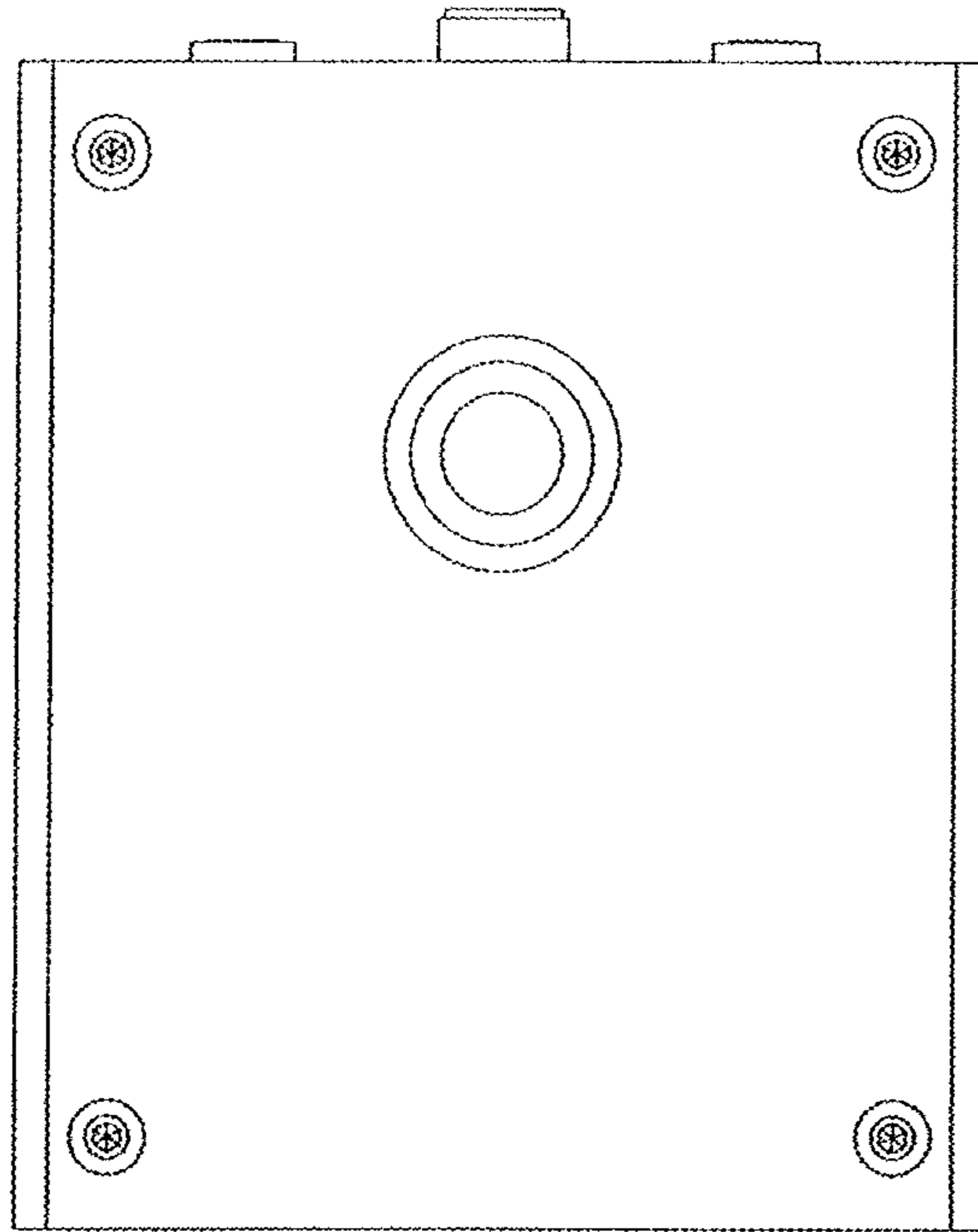


FIG.5

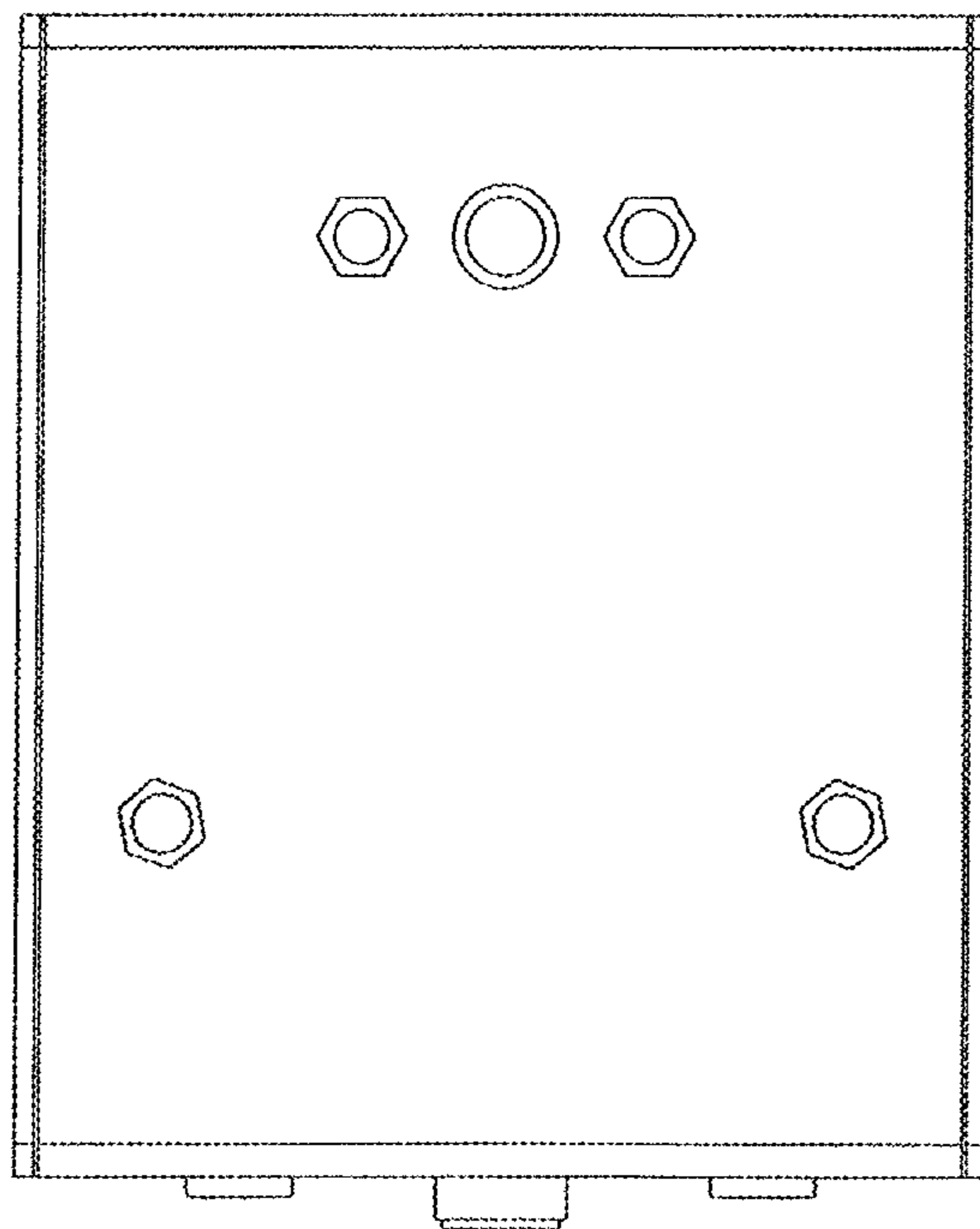


FIG.6

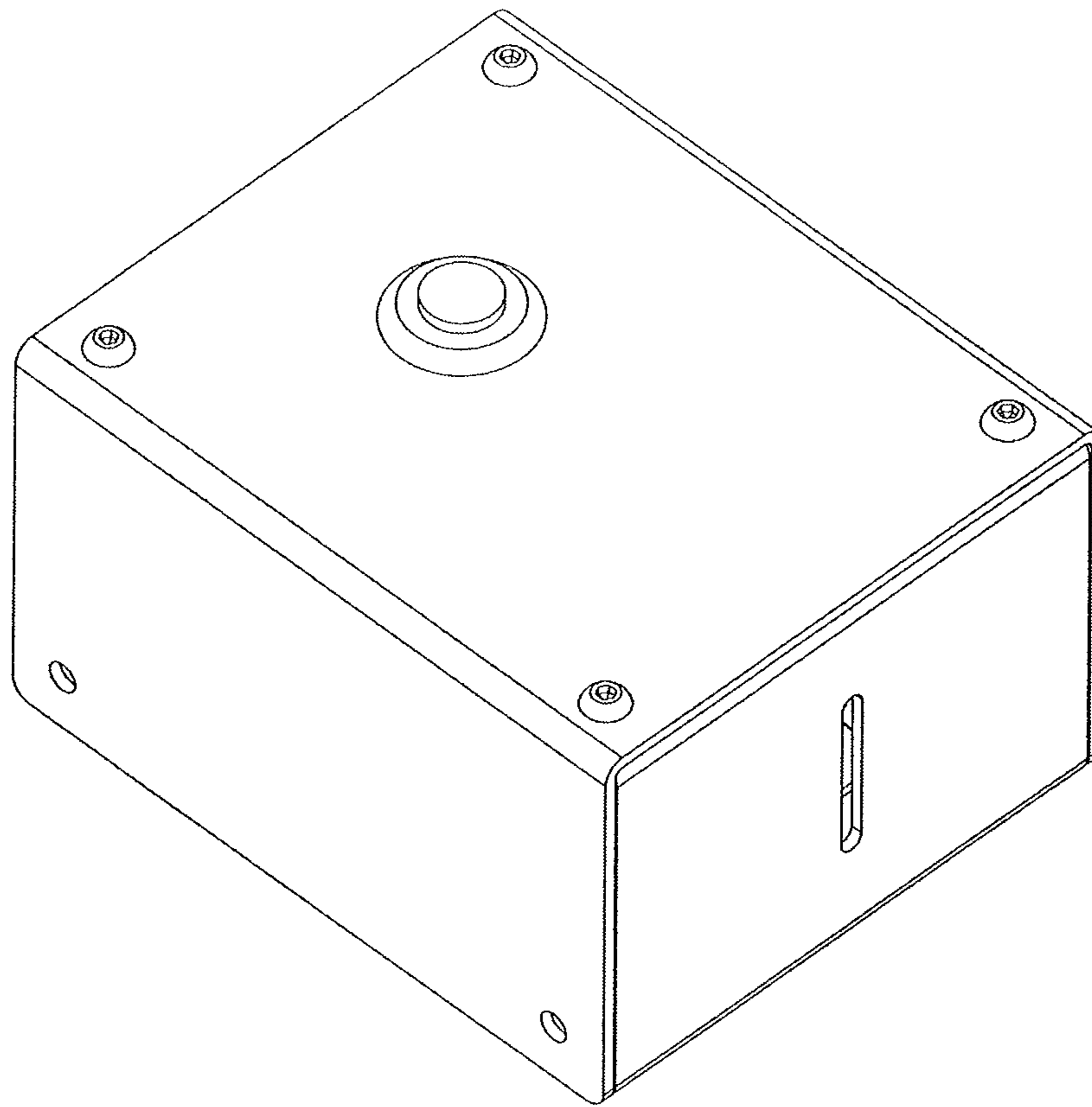


FIG.7

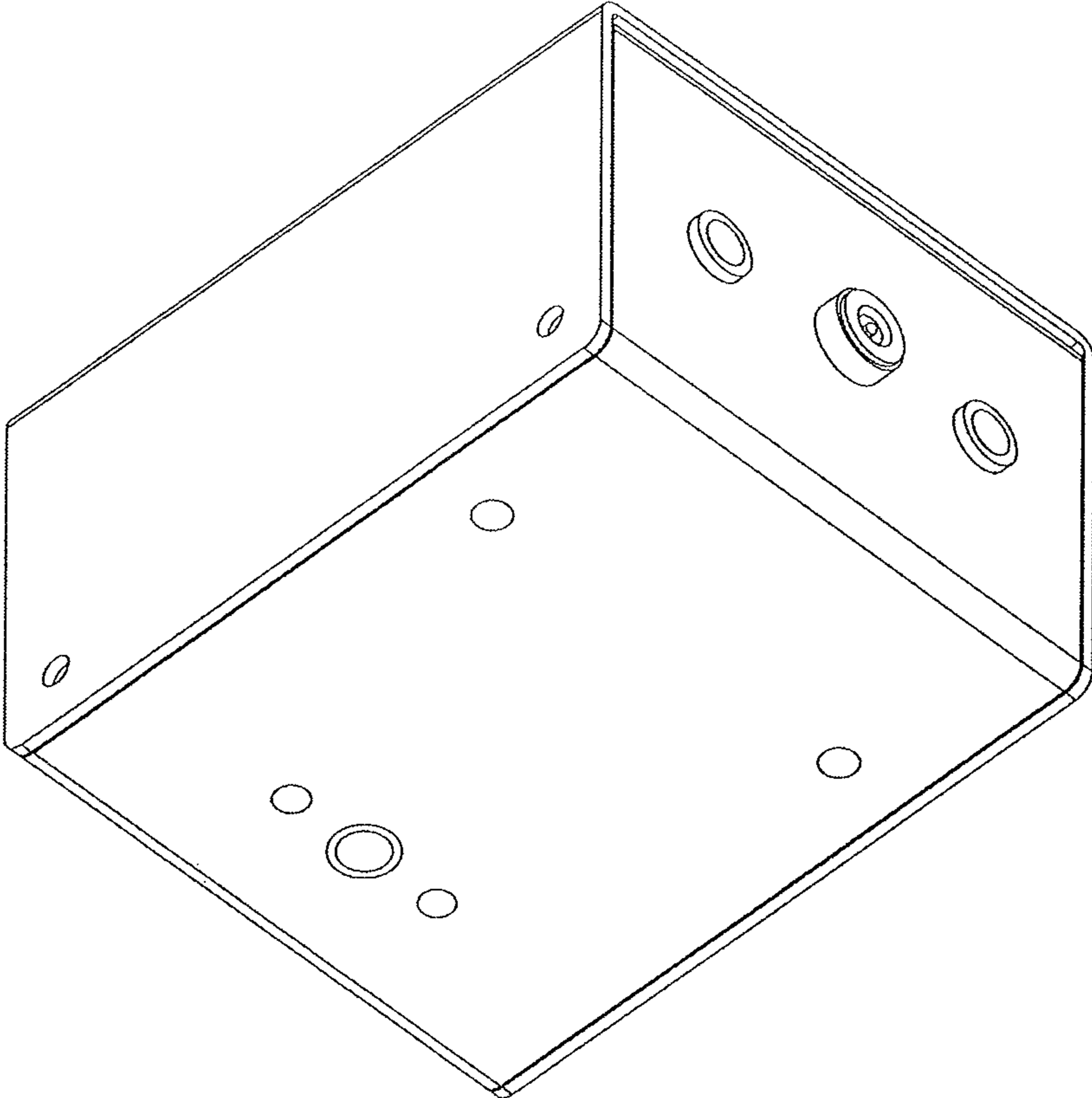


FIG.8