



US00D883109S

(12) **United States Design Patent** (10) **Patent No.:** **US D883,109 S**
Xie (45) **Date of Patent:** **** May 5, 2020**

(54) **TEMPERATURE AND HUMIDITY CONTROLLER**
(71) Applicant: **SHENZHEN YINGBOWEIYE TECHNOLOGY CO., LTD.**, Shenzhen (CN)
(72) Inventor: **Jinghua Xie**, Shenzhen (CN)
(**) Term: **15 Years**
(21) Appl. No.: **29/674,227**
(22) Filed: **Dec. 20, 2018**
(51) **LOC (12) Cl.** **10-04**
(52) **U.S. Cl.**
USPC **D10/53**
(58) **Field of Classification Search**
USPC D10/49, 50, 52, 53, 55, 56; D13/162, D13/162.1
CPC G01D 1/245; G01B 5/30; G01M 5/0075; G01N 29/045; G01N 29/12; G01N 29/2475; G01N 29/2481; G01J 1/429; A61B 5/04; A61B 5/0059; A63B 24/0084; A63B 24/0062; A63B 24/0075; A63B 69/0028; A63B 71/0622; A63B 71/0686; A63F 13/00; A63F 13/06; A61N 5/0614; H01H 2223/00; H01H 2223/002; H01H 2223/003; H01H 2223/004; H01H 2223/006; H01H 2223/008; H01H 2223/01; H01H 2223/012; H01H 2223/014; H01H 2223/016; H01H 2223/018; H01H 2223/02; H01H 2223/022; H01H 2223/024; H01H 2223/026; H01H 2223/028; H01H 2223/03; H01H 2223/032; H01H 2223/034; H01H 2223/0345; H01H 2223/036; H01H 2223/038; H01H 2223/04; H01H 2223/042; H01H 2223/044; H01H 2223/046; H01H 2223/048; H01H 2223/05; H01H 2223/052; H01H 2223/054; H01H

2223/056; H01H 2223/058; H01H 2223/06; H01H 2223/062; H01H 37/04; H01H 37/08; H01H 37/12; H01H 37/14; H01H 37/16; H01H 37/18; H01H 37/20; H01H 37/22; H01H 37/24; H01H 37/26; H01H 37/28; H01H 37/30

See application file for complete search history.

(56) **References Cited**

U.S. PATENT DOCUMENTS

D429,169 S * 8/2000 Ohlwine D10/50
D431,196 S * 9/2000 Godfrey D10/40

* cited by examiner

Primary Examiner — Antoine Duval Davis
(74) *Attorney, Agent, or Firm* — Law Offices of Steven W. Weinrieb

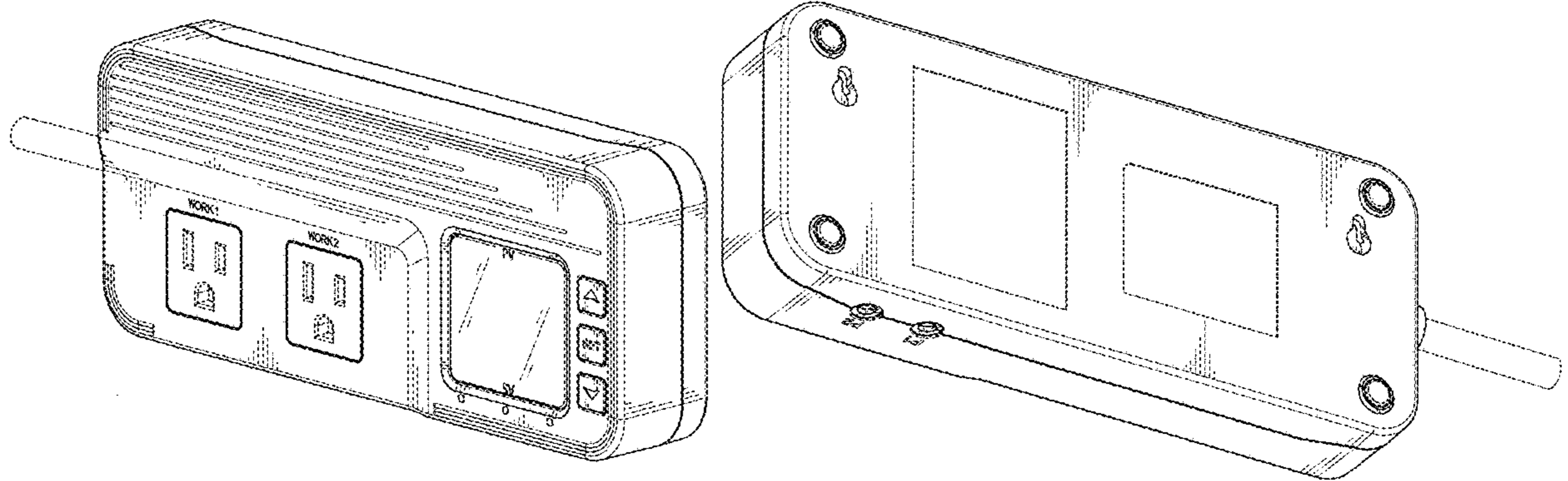
(57) **CLAIM**

The ornamental design for a temperature and humidity controller, as shown and described.

DESCRIPTION

FIG. 1 is a front, right side, top perspective view of the temperature and humidity controller showing my new design;
FIG. 2 is a rear, left side, bottom perspective view thereof;
FIG. 3 is a front elevational view thereof;
FIG. 4 is a rear elevational view thereof;
FIG. 5 is a left side elevational view thereof;
FIG. 6 is a right side elevational view thereof;
FIG. 7 is a top plan view thereof; and,
FIG. 8 is a bottom plan view thereof.
The broken lines immediately adjacent to the claimed portions are boundaries, all other broken lines are environmental structures; all the broken lines form no part of the claimed design.

1 Claim, 8 Drawing Sheets



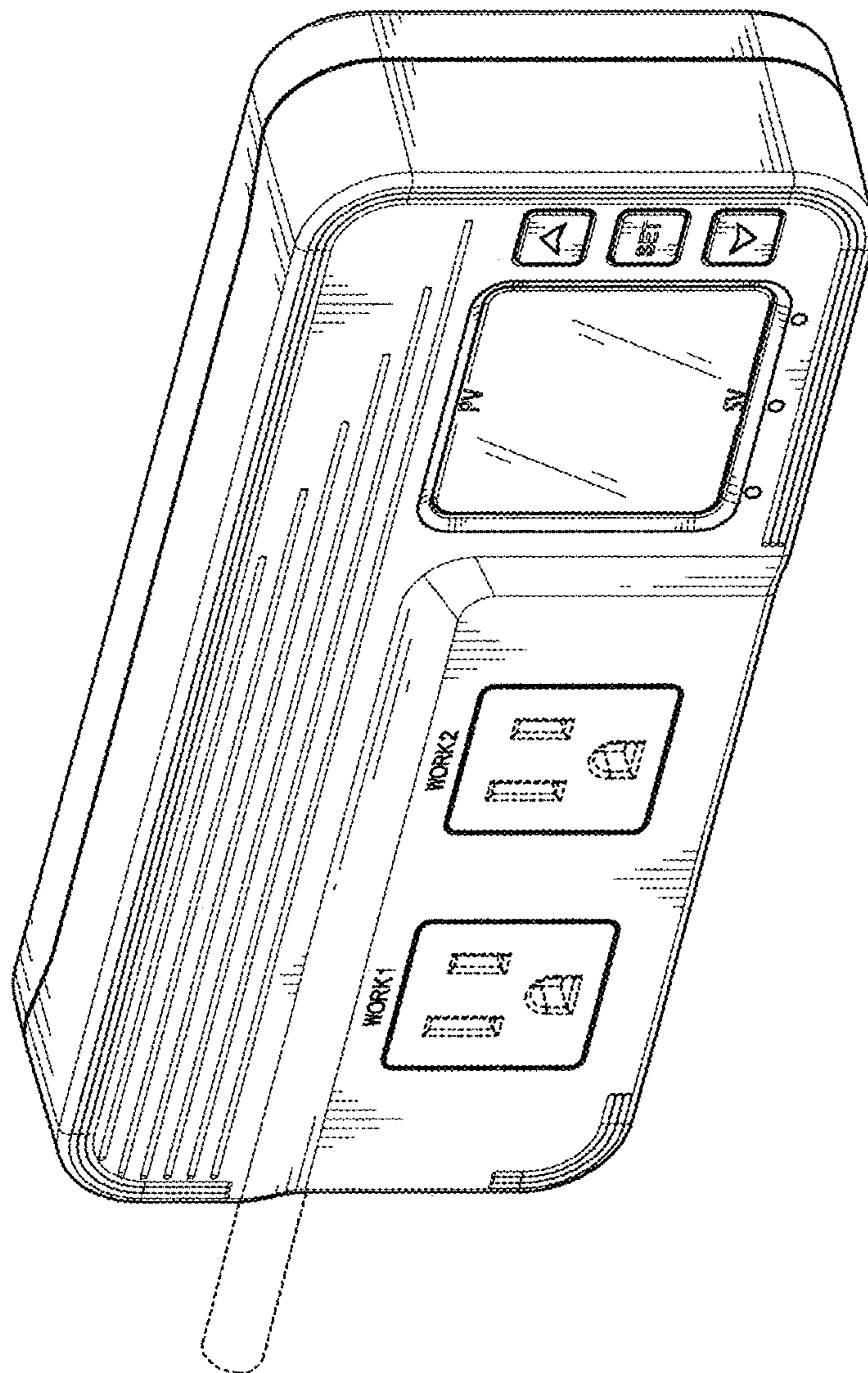


FIG. 1

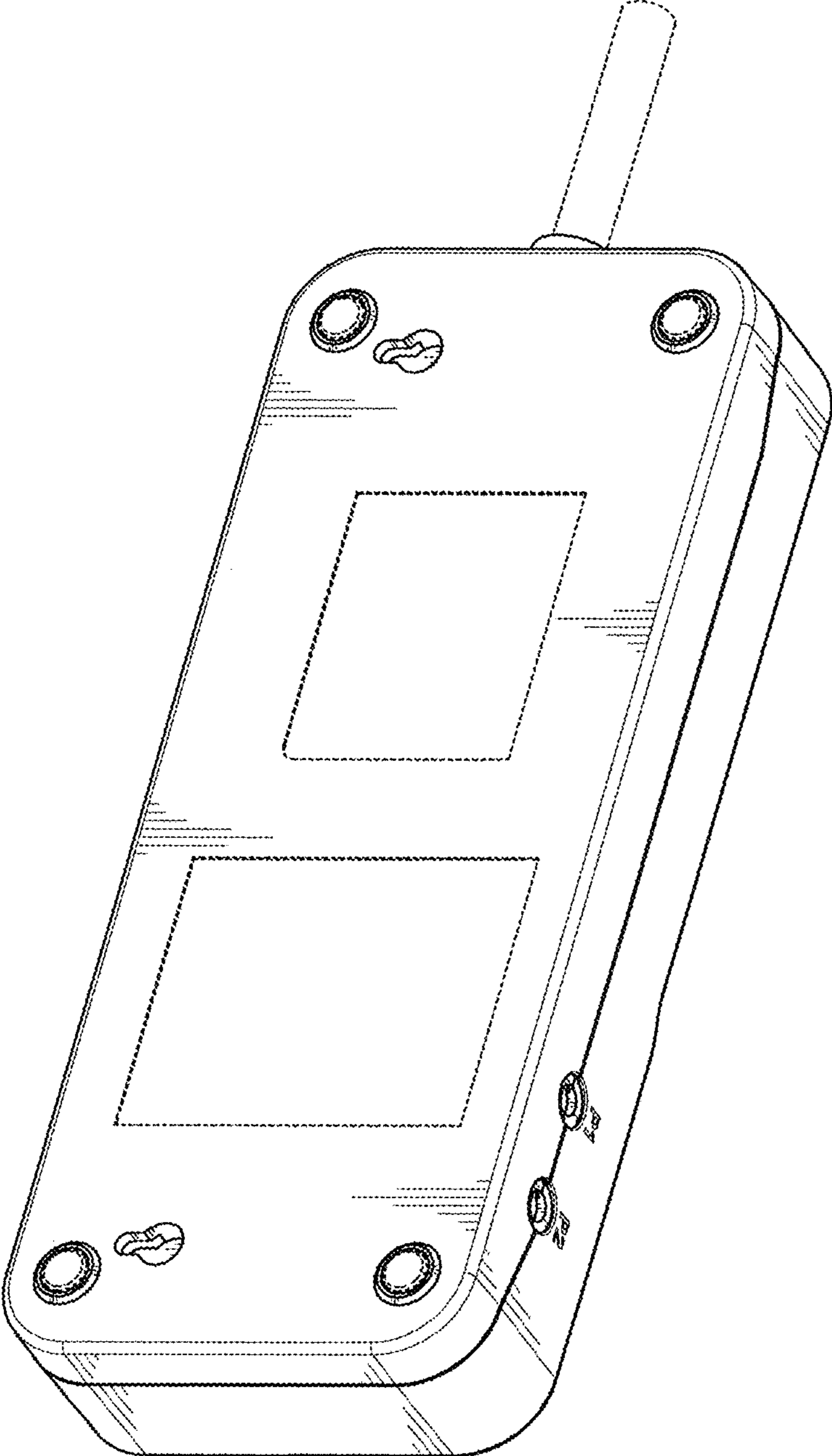


FIG. 2

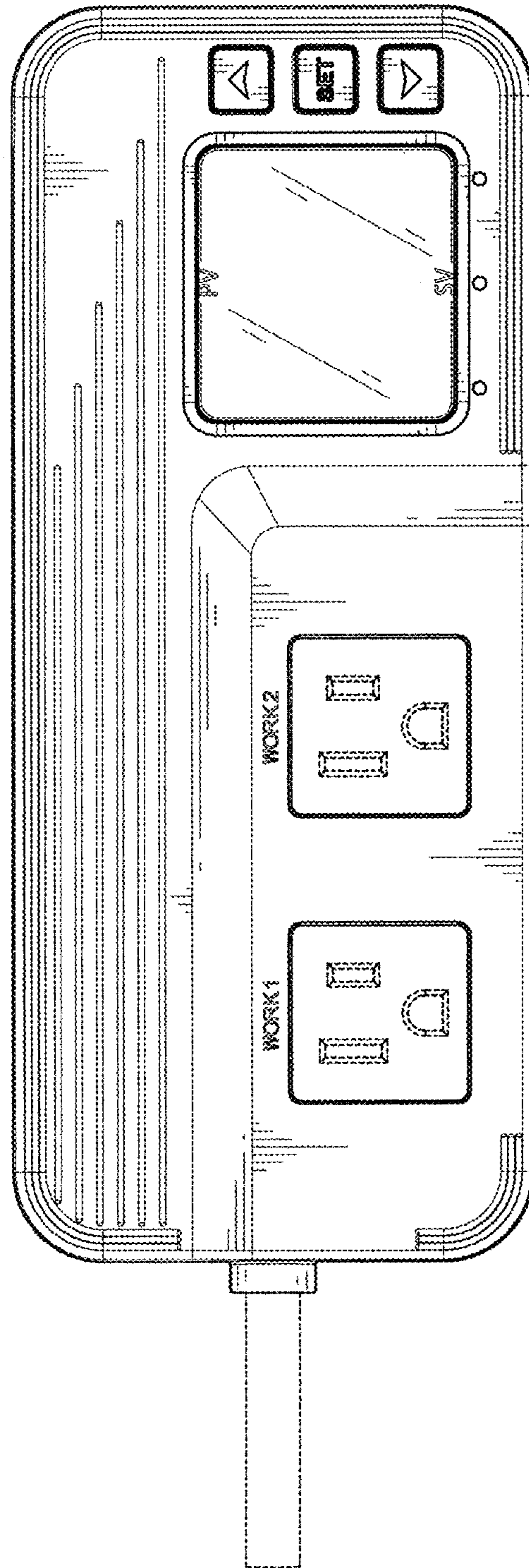


FIG. 3

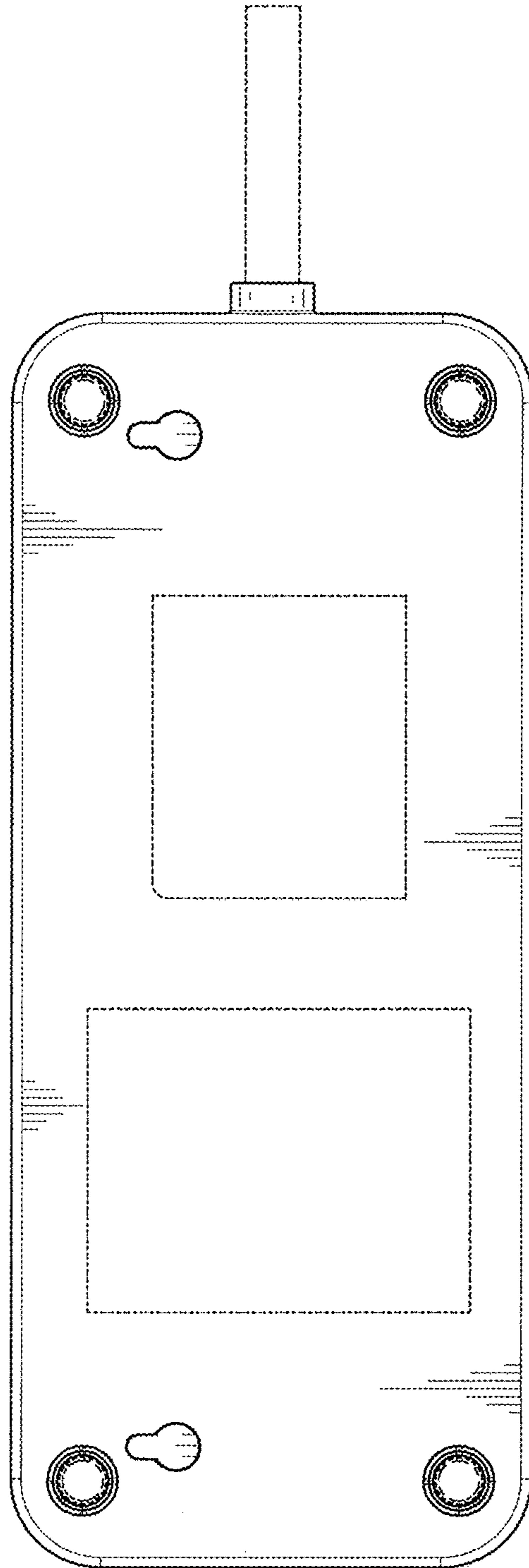


FIG. 4

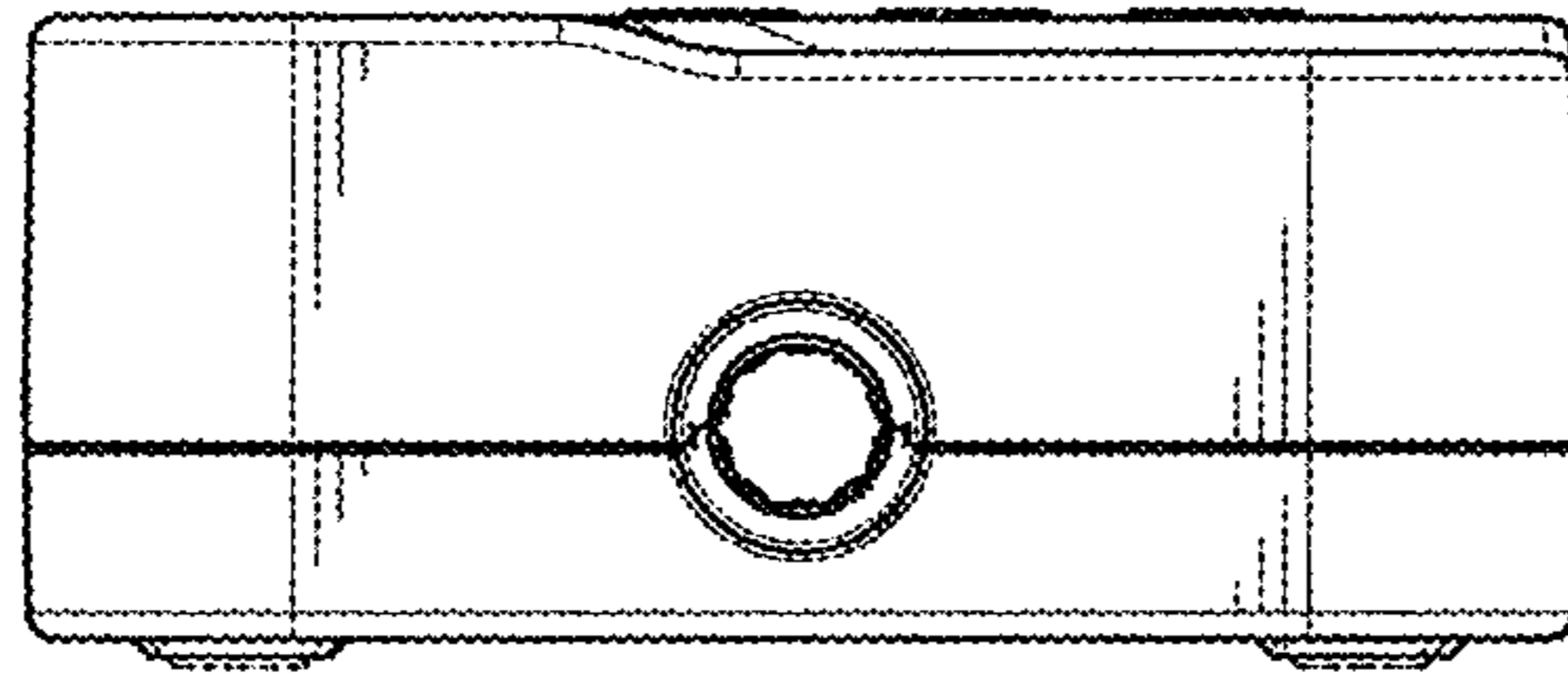


FIG. 5

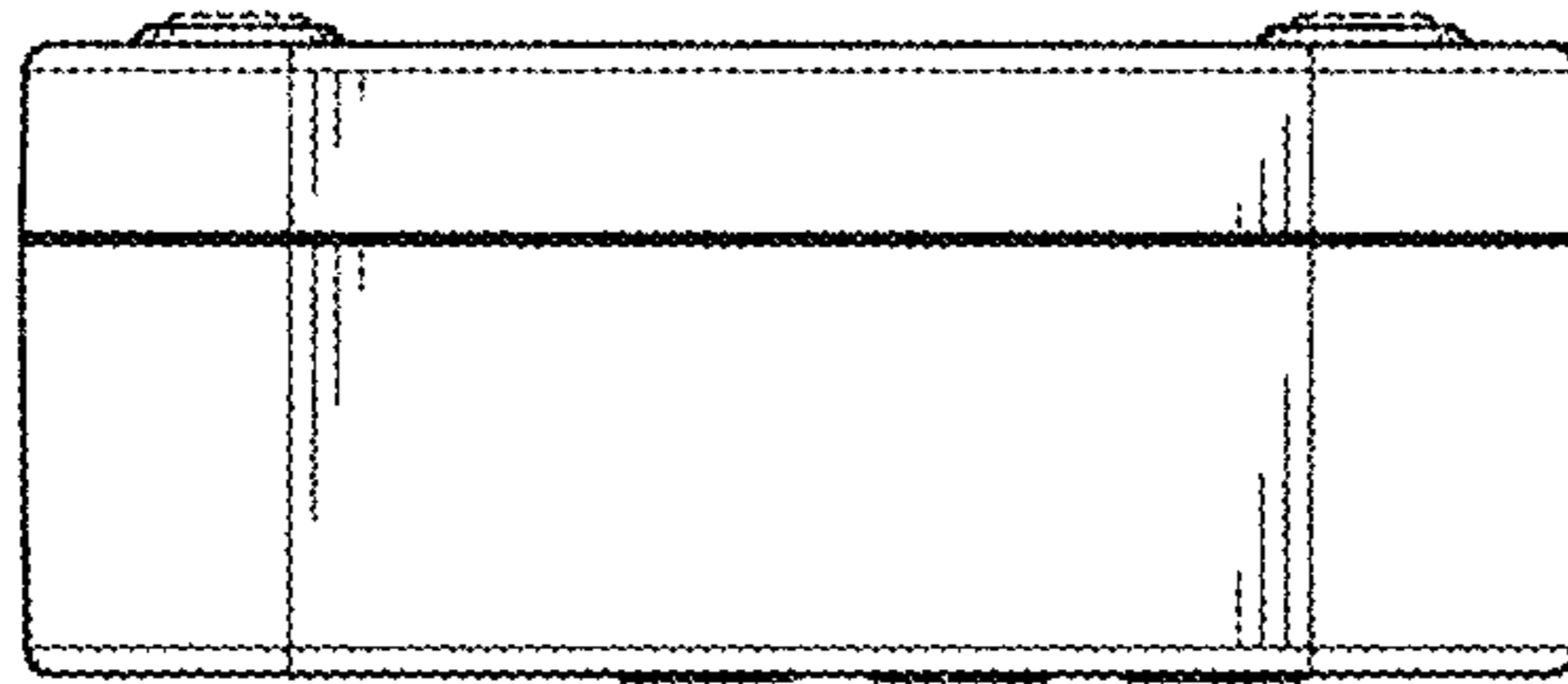


FIG. 6

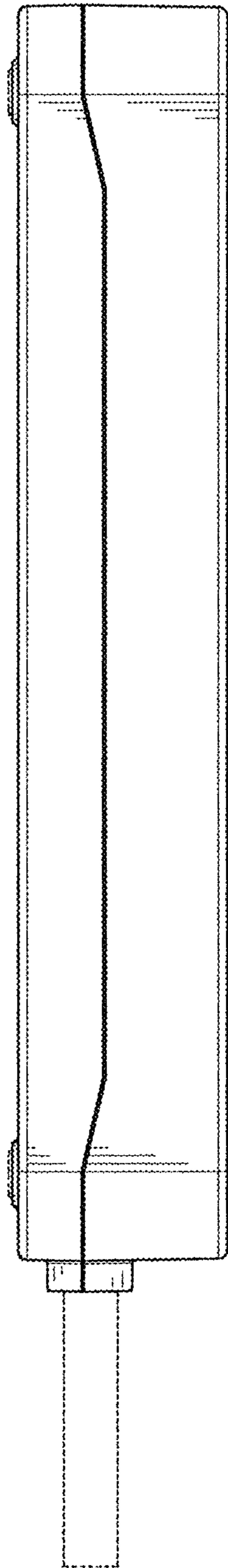


FIG. 7

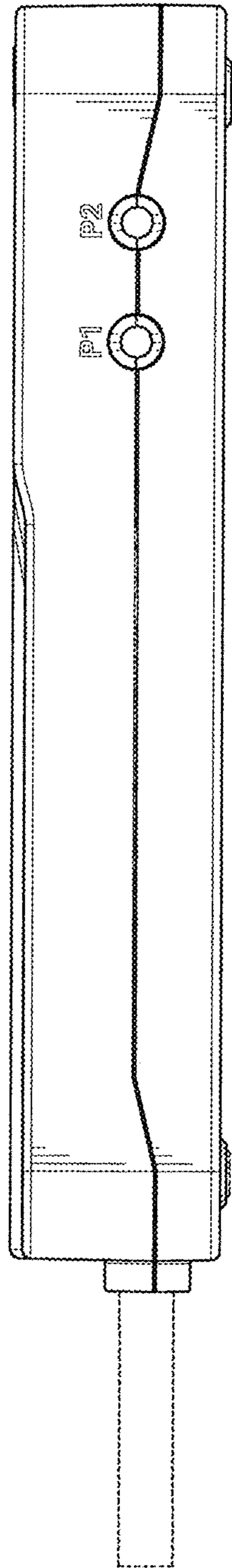


FIG. 8