



US00D883108S

(12) **United States Design Patent** (10) **Patent No.:** **US D883,108 S**  
**Xie** (45) **Date of Patent:** **\*\* May 5, 2020**

(54) **TEMPERATURE CONTROLLER**

(71) Applicant: **SHENZHEN YINGBOWEIYE TECHNOLOGY CO., LTD.**, Shenzhen (CN)

(72) Inventor: **Jinghua Xie**, Shenzhen (CN)

(73) Assignee: **SHENZHEN YINGBOWEIYE TECHNOLOGY CO., LTD.**, Shenzhen (CN)

(\*\*) Term: **15 Years**

(21) Appl. No.: **29/674,219**

(22) Filed: **Dec. 20, 2018**

(51) **LOC (12) Cl.** ..... **10-04**

(52) **U.S. Cl.**  
USPC ..... **D10/52; D10/78; D14/218**

(58) **Field of Classification Search**  
USPC ..... D10/52, 53, 60, 78; D14/218  
CPC ..... A61F 2007/0086; A61F 2007/0087; A61F 2007/0093; A61F 2007/0094; A61F 2007/0095; A61F 2007/0096; H61F 7/00; H61F 7/02; H61F 2007/0029; H61F 2007/0031; H61F 2007/0034; H61F 2007/0035; H61F 2007/0036; H61F 2007/0075; H61F 2007/0076; H61F 2007/0087; H61F 2007/0088; H61F 2007/0095; H61F 2007/0096; H61F 2007/0225; H61F 2007/0228; H61F 2007/0231; H05B 3/06; H05B 3/08

See application file for complete search history.

(56) **References Cited**

U.S. PATENT DOCUMENTS

D752,997	S	*	4/2016	Miller	.....	D10/52
D822,643	S	*	7/2018	Chen	.....	D14/218
D839,756	S	*	2/2019	Pang	.....	D10/52

\* cited by examiner

*Primary Examiner* — Antoine Duval Davis

(74) *Attorney, Agent, or Firm* — Law Offices of Steven W. Weinrieb

(57) **CLAIM**

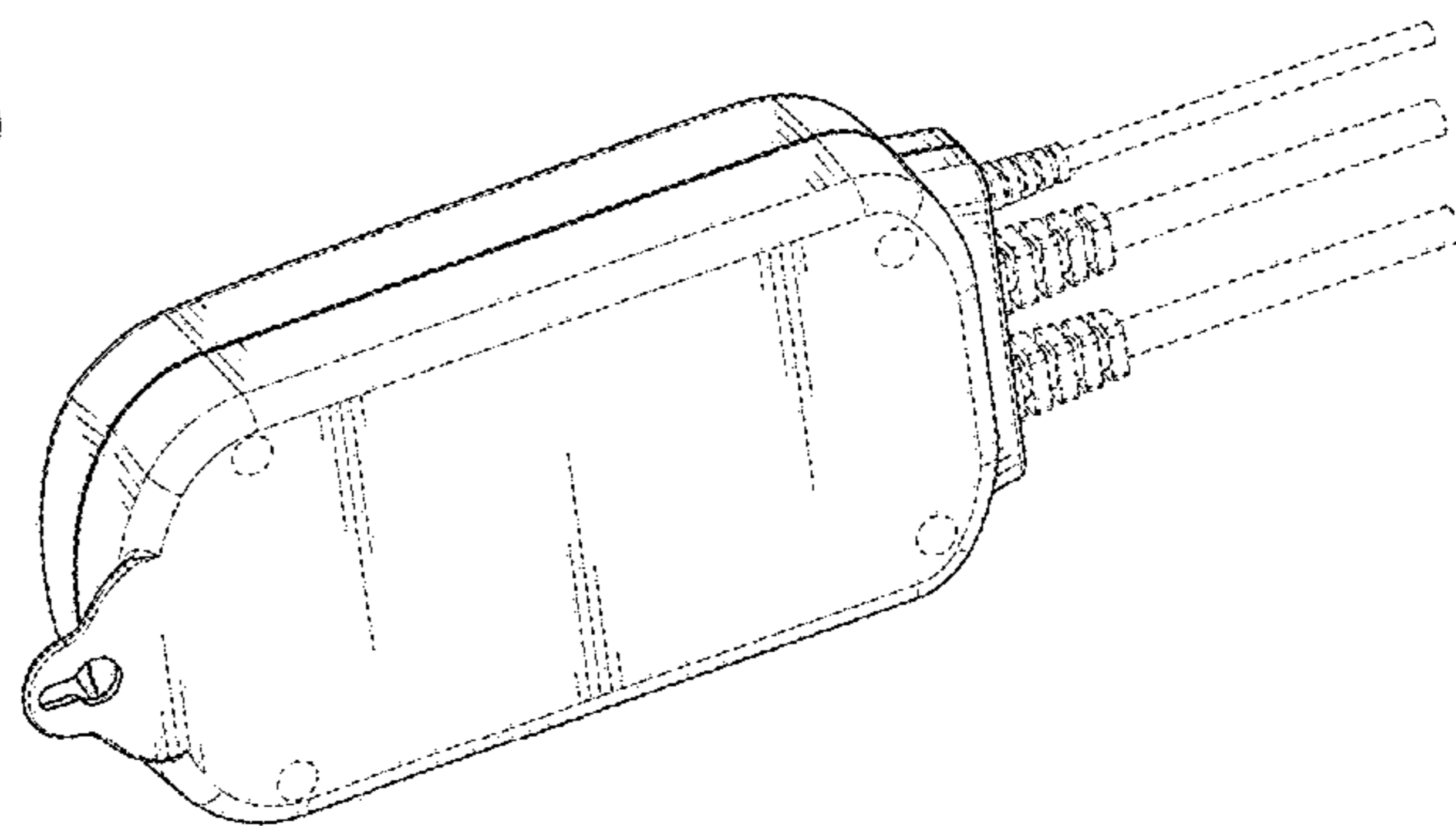
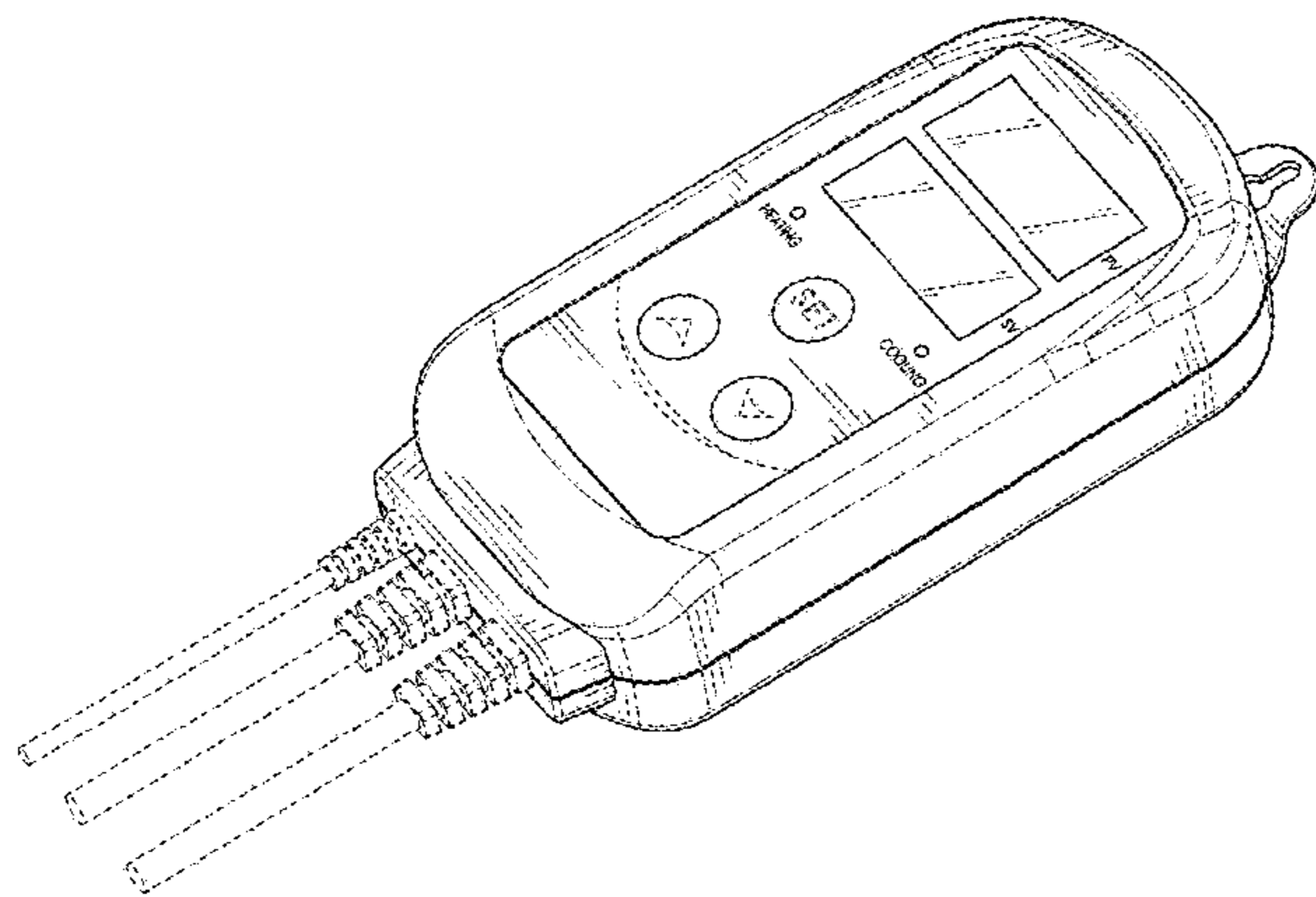
The ornamental design for a temperature controller, as shown and described.

**DESCRIPTION**

FIG. 1 is a front, right side, top perspective view of the temperature controller showing my new design;  
 FIG. 2 is a rear, left side, bottom perspective view thereof;  
 FIG. 3 is a top plan view thereof;  
 FIG. 4 is a bottom plan view thereof;  
 FIG. 5 is a rear elevational view thereof;  
 FIG. 6 is a front elevational view thereof;  
 FIG. 7 is a right side view thereof; and,  
 FIG. 8 is a left view thereof.

The broken lines immediately adjacent to the claimed portions are boundaries, all other broken lines are environmental structures; all the broken lines form no part of the claimed design.

**1 Claim, 8 Drawing Sheets**



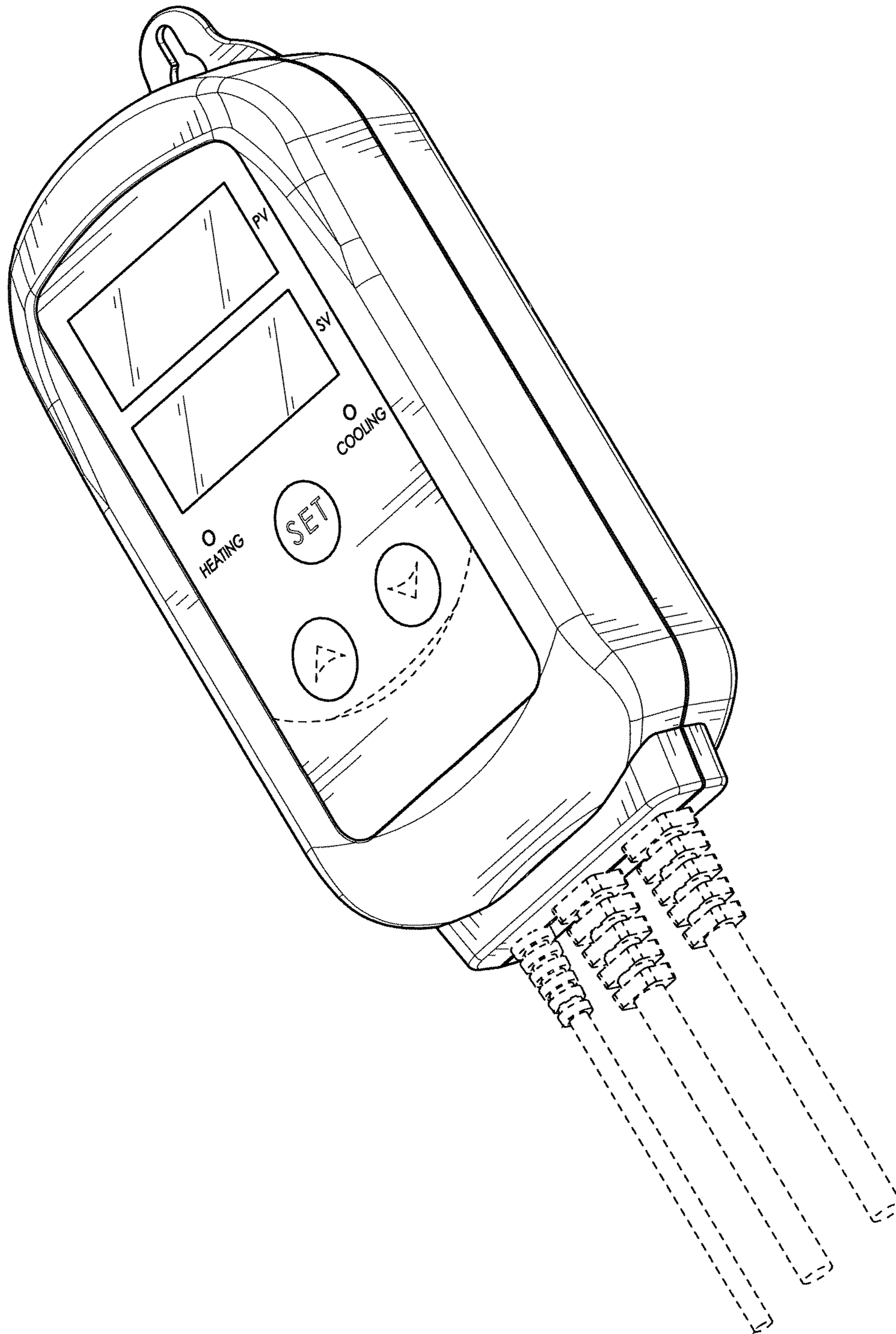


FIG. 1

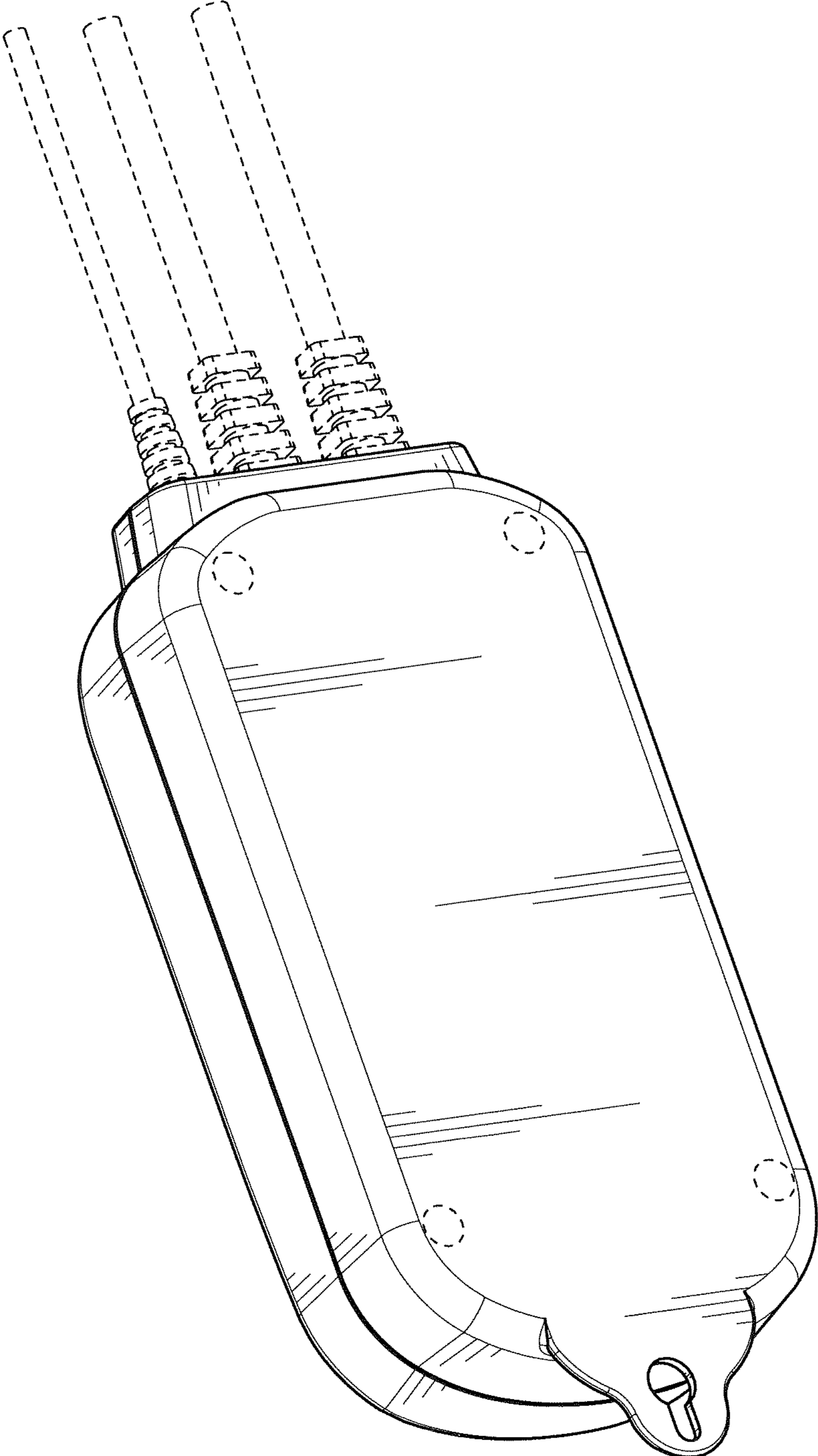


FIG. 2



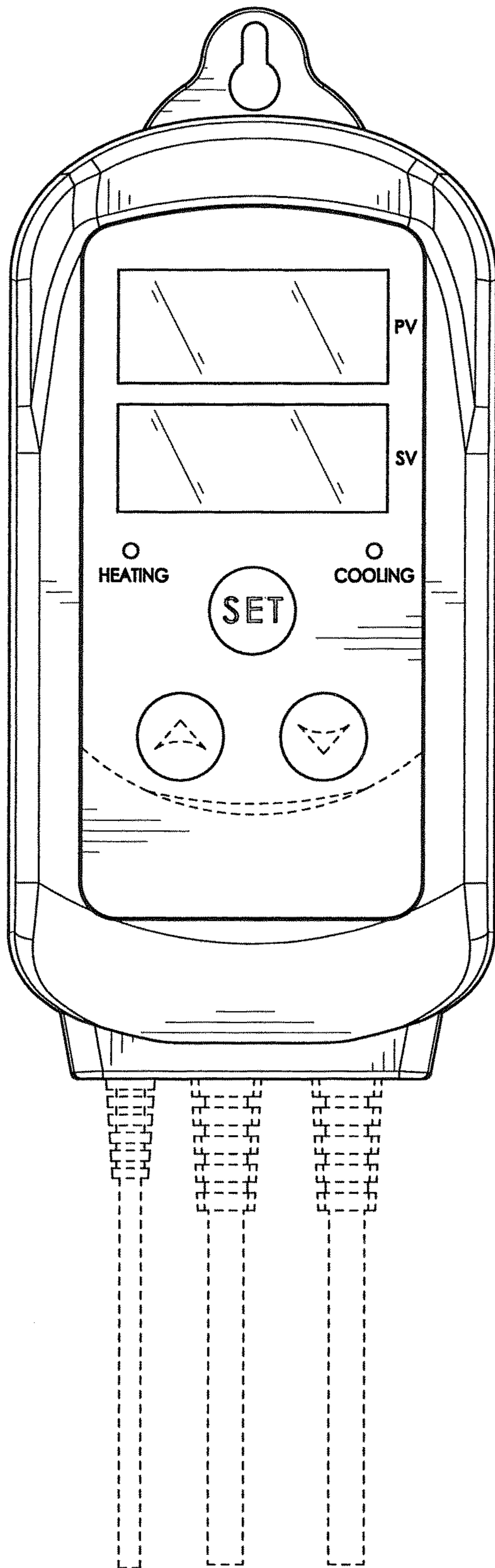


FIG. 3

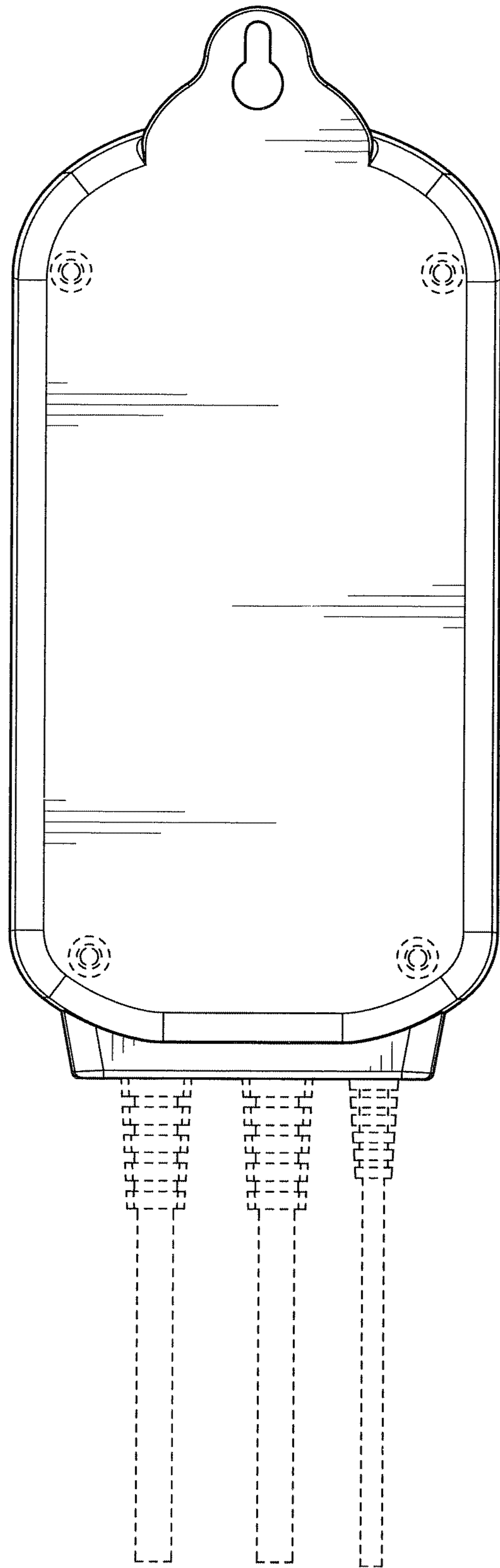


FIG. 4

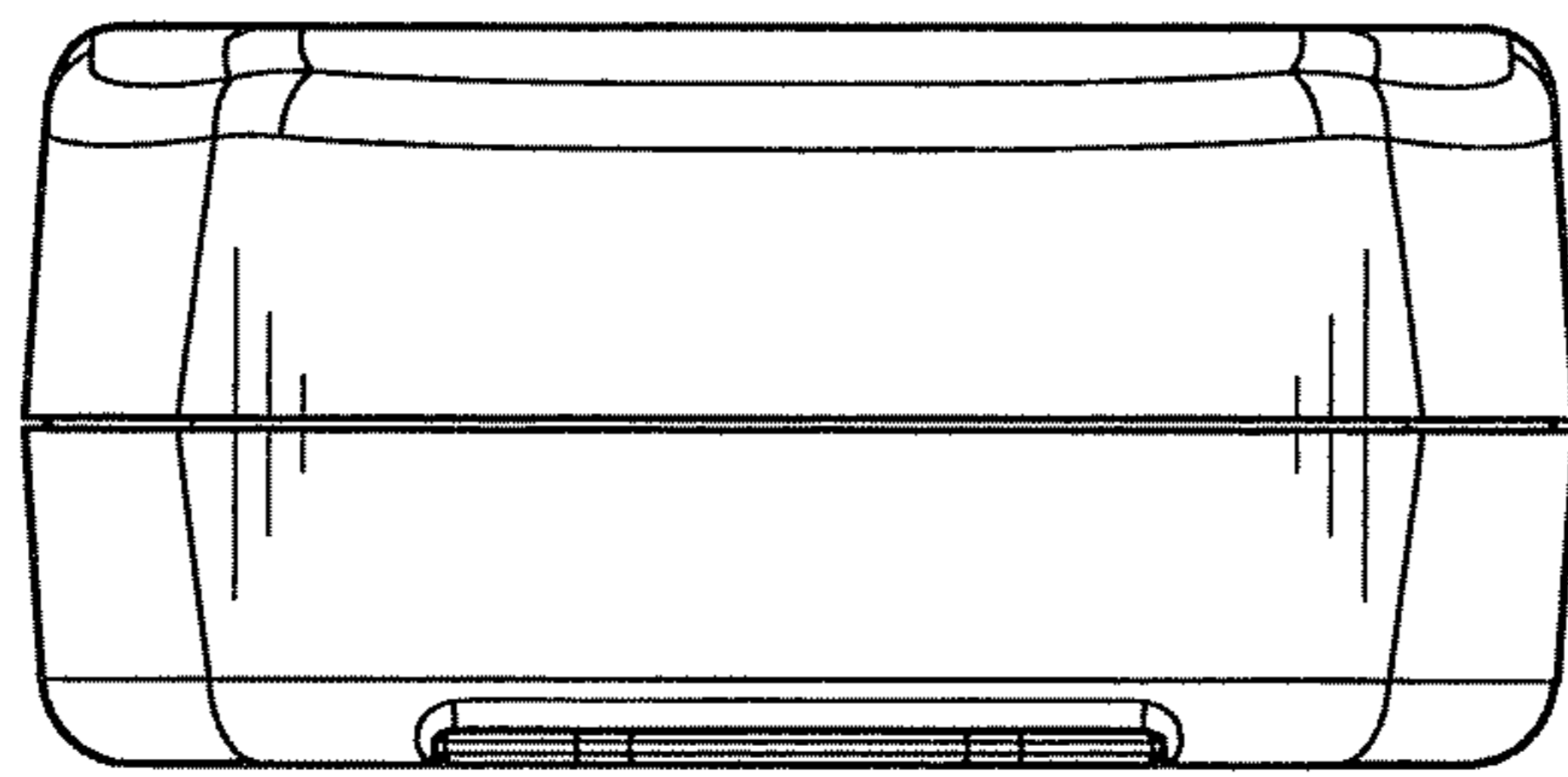


FIG. 5

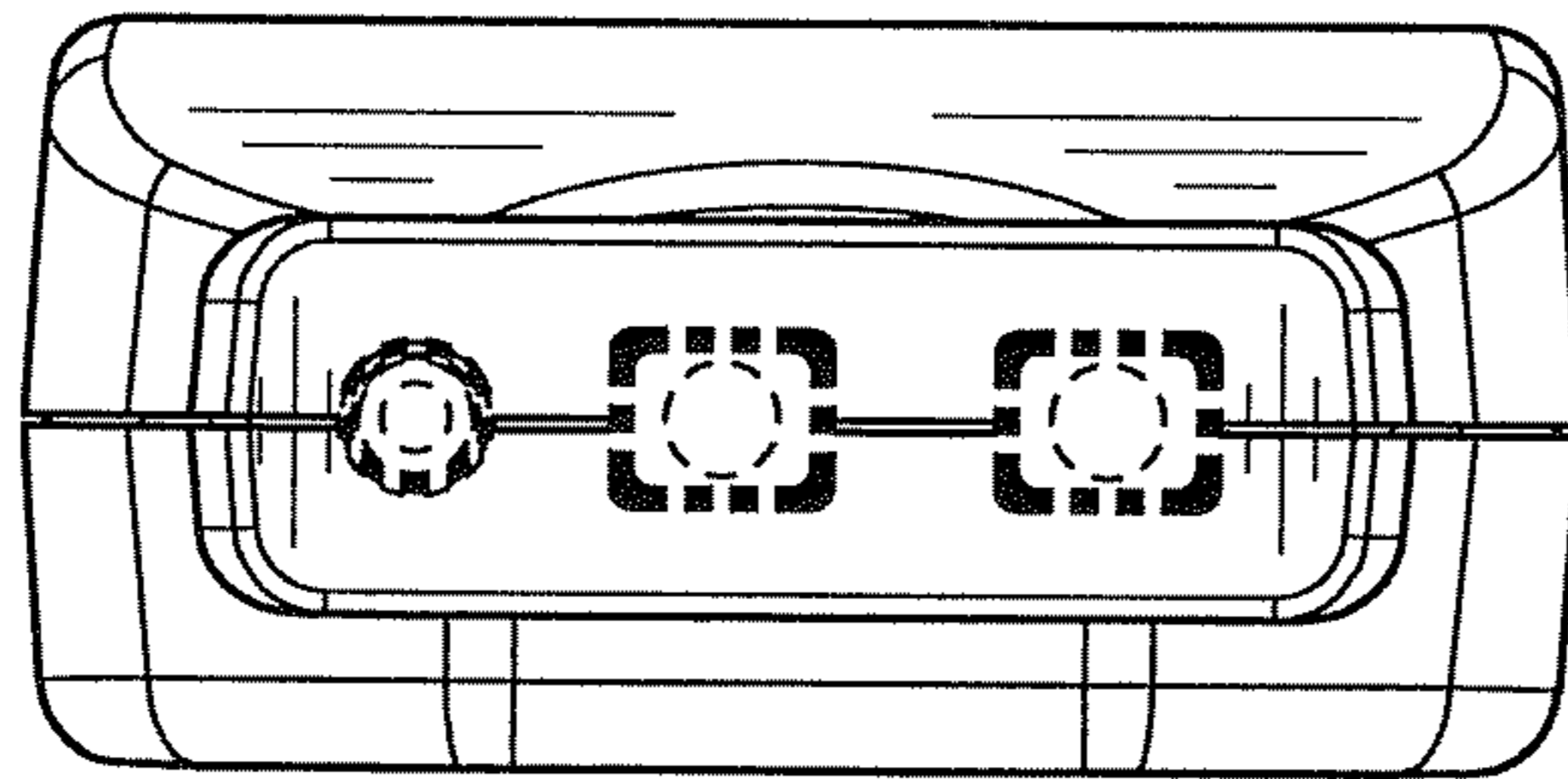


FIG. 6

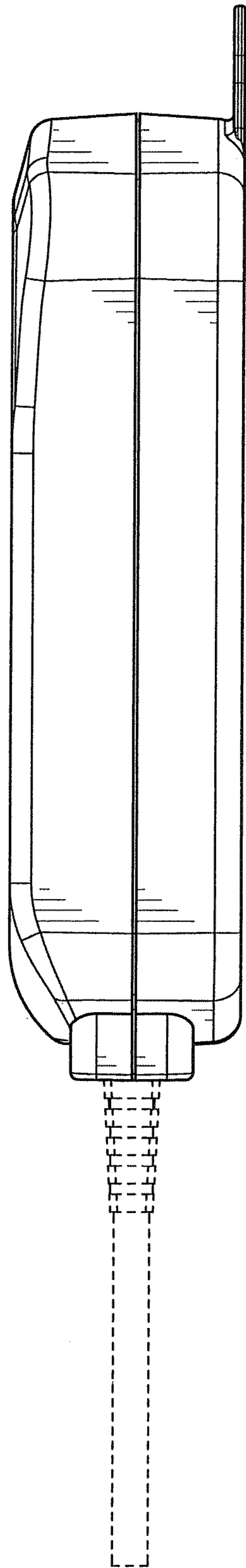


FIG. 7



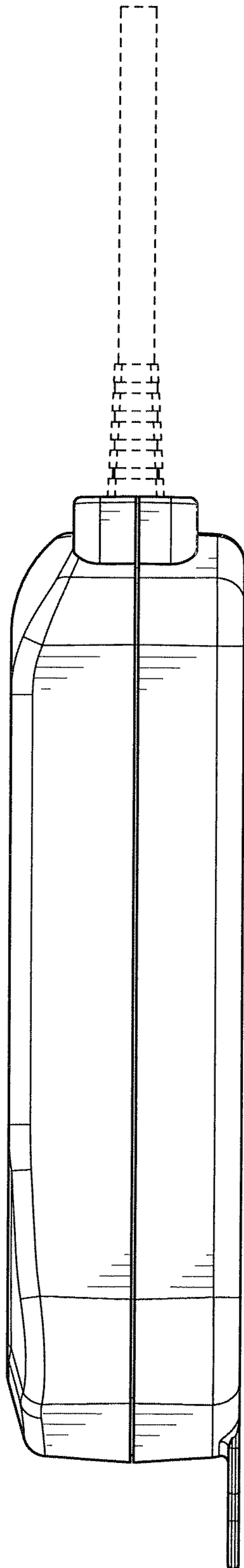


FIG. 8