



US00D883107S

(12) **United States Design Patent** (10) **Patent No.:** **US D883,107 S**  
**Tinius** (45) **Date of Patent:** **\*\* May 5, 2020**

(54) **MEASURING INSTRUMENTS, APPARATUS AND DEVICES**

(71) Applicant: **Binder GmbH**, Tuttlingen (DE)

(72) Inventor: **Michael Tinius**, Elchingen (DE)

(73) Assignee: **Binder GmbH**, Tuttlingen (DE)

(\*\*) Term: **15 Years**

(21) Appl. No.: **29/666,659**

(22) Filed: **Oct. 15, 2018**

(30) **Foreign Application Priority Data**

Apr. 13, 2018 (EM) ..... 005231925

(51) **LOC (12) Cl.** ..... **10-04**

(52) **U.S. Cl.**  
USPC ..... **D10/50; D10/64; D10/65; D13/162; D18/2**

(58) **Field of Classification Search**

USPC ..... D10/49, 50, 64, 65; D13/123, 133, 152, D13/154, 162, 162.1, 177, 184; D18/2  
(Continued)

(56) **References Cited**

**U.S. PATENT DOCUMENTS**

D651,685 S 1/2012 Honzelka  
D667,804 S 9/2012 Binder et al.  
(Continued)

**FOREIGN PATENT DOCUMENTS**

CN 301308150 8/2010  
CN 301334695 9/2010  
(Continued)

**OTHER PUBLICATIONS**

Binder, "Binder Scientific, Product Highlights," 2012, document of 8 pages.

(Continued)

*Primary Examiner* — Antoine Duval Davis

(74) *Attorney, Agent, or Firm* — Akerman LLP; Peter A. Chiabotti

(57) **CLAIM**

The ornamental design for measuring instruments, apparatus and devices, as shown and described.

**DESCRIPTION**

FIG. 1 is a perspective view an alternative embodiment of the ornamental design;  
FIG. 2 is a bottom view of the ornamental design of FIG. 1;  
FIG. 3 is another perspective view of the ornamental design of FIG. 1;  
FIG. 4 is a rear view of the ornamental design in FIG. 1;  
FIG. 5 a right side elevation view of the ornamental design in FIG. 1;  
FIG. 6 is front view of the ornamental design of FIG. 1;  
FIG. 7 is a prospective view of the right side of the ornamental design in FIG. 1;  
FIG. 8 is left side elevation view of the ornamental design in FIG. 1;  
FIG. 9 is another perspective view of the ornamental design in FIG. 1;  
FIG. 10 is a top view of the ornamental design of FIG. 1;  
FIG. 11 is another perspective view of the ornamental design in FIG. 1;  
FIG. 12 is a perspective view of an alternative embodiment of the ornamental design;  
FIG. 13 is the bottom view of the ornamental design of FIG. 12;  
FIG. 14 is another perspective view of ornamental design of FIG. 12;  
FIG. 15 is a rear view of the ornamental design of FIG. 12;  
FIG. 16 is a right side elevation view of the ornamental design of FIG. 12;  
FIG. 17 is a front view of the ornamental design of FIG. 12;  
FIG. 18 is a perspective view of the right side of FIG. 12;  
FIG. 19 if a left side elevation view of the ornamental design of FIG. 12;  
FIG. 20 is another perspective view of the ornamental design of FIG. 12;

(Continued)

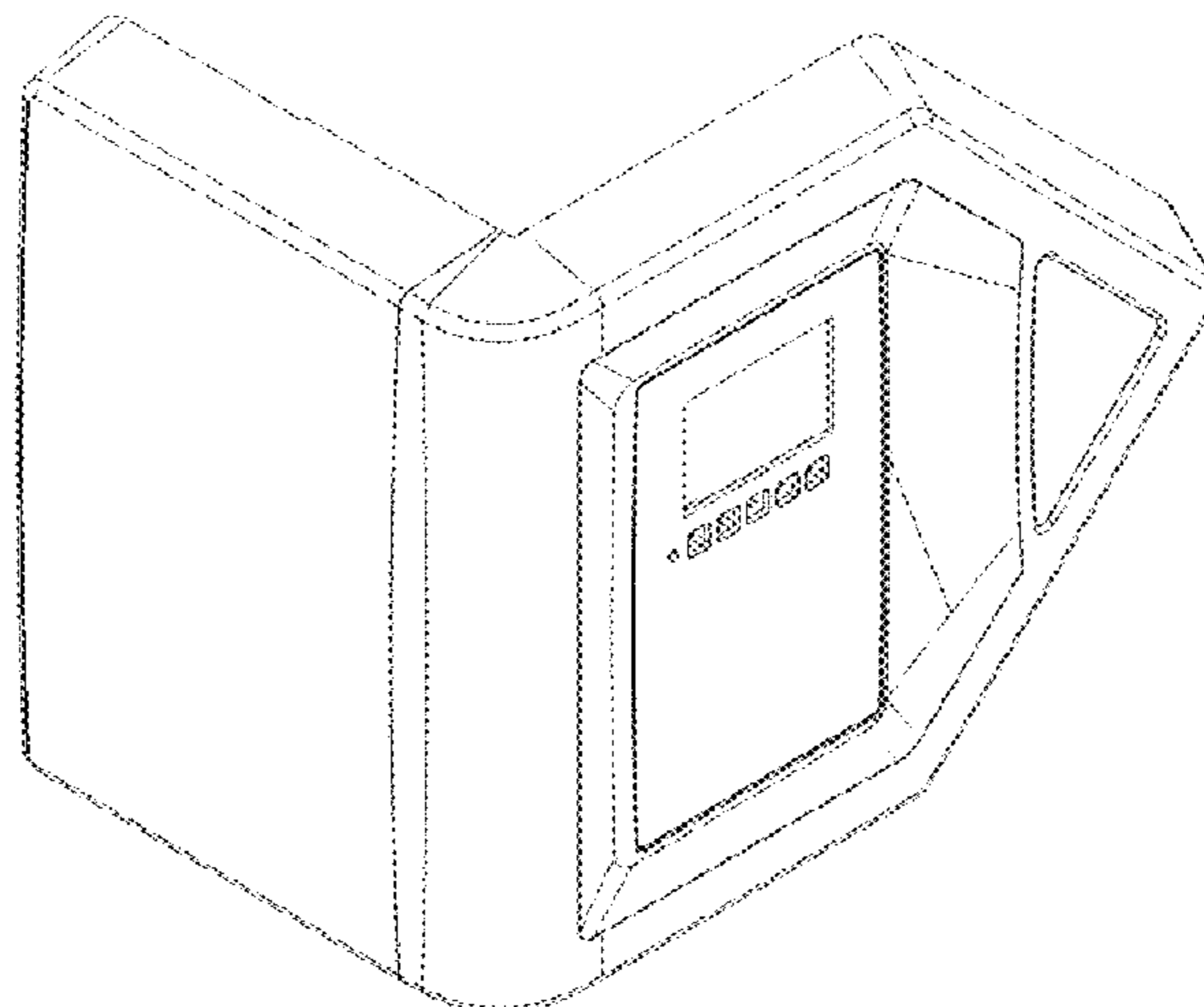


FIG. 21 is a top view of the ornamental design of FIG. 12; and, FIG. 22 is a perspective view of the right side of the ornamental design in FIG. 12. The portions shown in broken lines form no part of the claimed design.

EM	02714683-0001	6/2015
EM	02714683-0002	6/2015
IN	222367	4/2009
IN	223937	7/2009
IN	224247	8/2009
IN	224248	8/2009
JP	1383200	3/2010
JP	1411257	4/2011
RU	74735	5/2010
RU	75107	6/2010
RU	77227	1/2011

**1 Claim, 22 Drawing Sheets**

**(58) Field of Classification Search**

CPC ..... B43L 7/02; B43L 7/027; B43L 7/0275; B43L 7/033; B43L 7/10; B43L 7/12; B43L 7/125; B43L 7/14; B43L 7/023; G01B 3/566

See application file for complete search history.

**(56) References Cited**

U.S. PATENT DOCUMENTS

D717,675 S	11/2014	Lin	
D797,581 S *	9/2017	Tinius	D10/64
D798,169 S *	9/2017	Tinius	D10/64
D817,787 S	5/2018	Tinius	

FOREIGN PATENT DOCUMENTS

CN	301335836	9/2010
CN	301335837	9/2010
CN	303690088	6/2016
EM	001058721-0001	12/2008
EM	001108625-0001	3/2009
EM	001108625-0002	3/2009
EM	01507492-0001	5/2009
EM	001899816-0001	8/2011

OTHER PUBLICATIONS

Binder, "Binder Scientific, Product Catalog," 2011, document of 148 pages.  
 Binder, "The Right Oven For Every Application" 2012, product flyer, document of 2 pages.  
 Binder, "Perfect Climes, Make Binder Your Ovens and Incubators Destination," advertisement, document of 1 page.  
 EUIPO, "Abstract of European Union Trademark Application No. 007597149, filed Feb. 12, 2009," document of 5 pages.  
 EUIPO, "Abstract of European Union Trademark Application No. 007597263, filed Feb. 12, 2009," document of 5 pages.  
 EUIPO, "Abstract of European Union Trademark Application No. 008289407, filed May 8, 2009," document of 4 pages.  
 USPTO, "TESS Status Report for U.S. Trademark Registration No. 3,979,936, registered Jun. 21, 2011," document of 2 pages.  
 USPTO, "TESS Status Report for U.S. Trademark Registration No. 3,895,928, registered Dec. 28, 2010," document of 2 pages.  
 USPTO, "TESS Status Report for U.S. Trademark Registration No. 3,979,937, registered Jun. 21, 2011," document of 2 pages.  
 USPTO, TESS Status Report for of U.S. Trademark Registration No. 4,481,324, registered Feb. 11, 2017, document of 2 pages.  
 USPTO, TESS Status Report for of U.S. Trademark Registration No. 2,606,702, registered Aug. 13, 2002, document of 2 pages.

\* cited by examiner

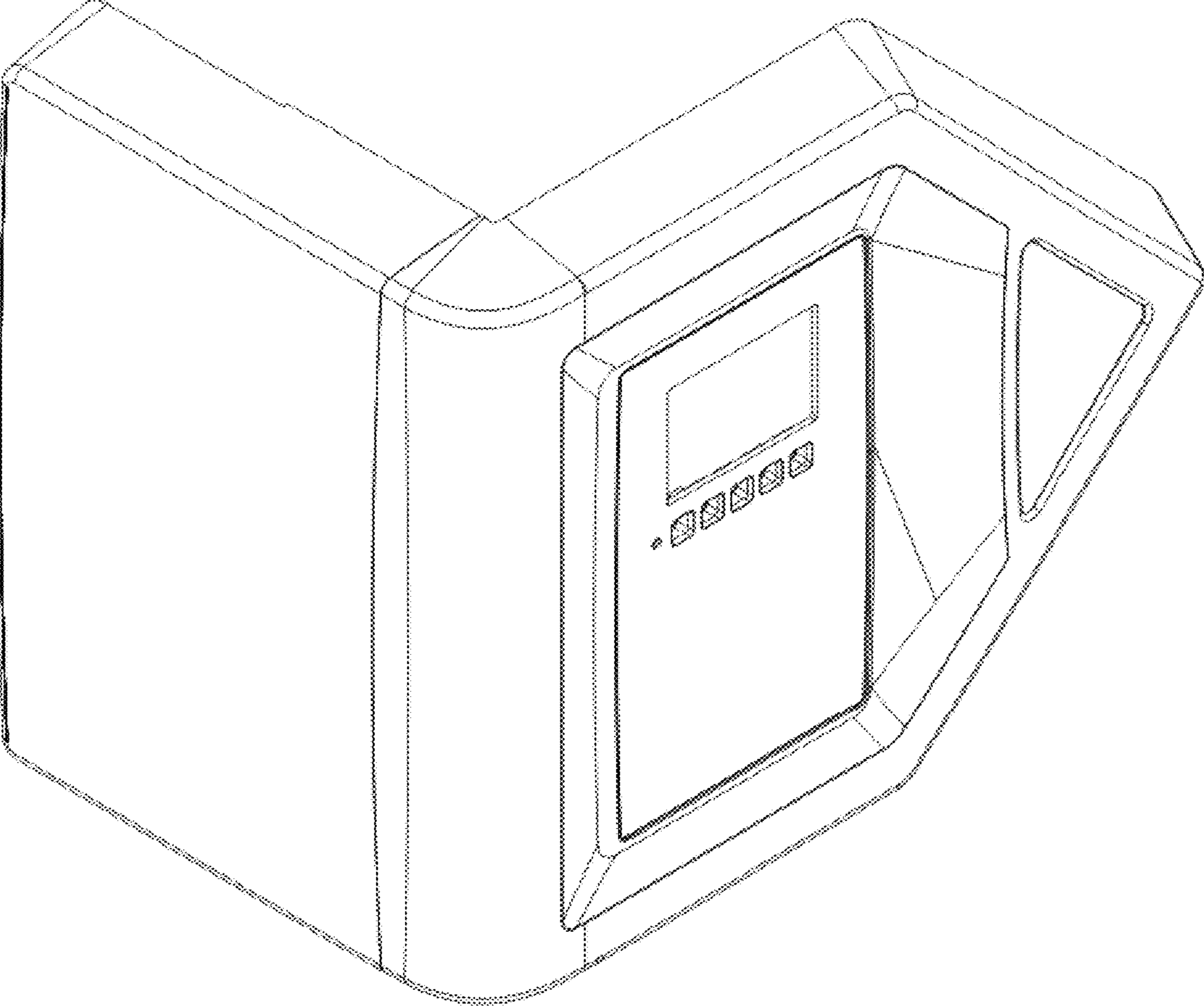


FIG. 1

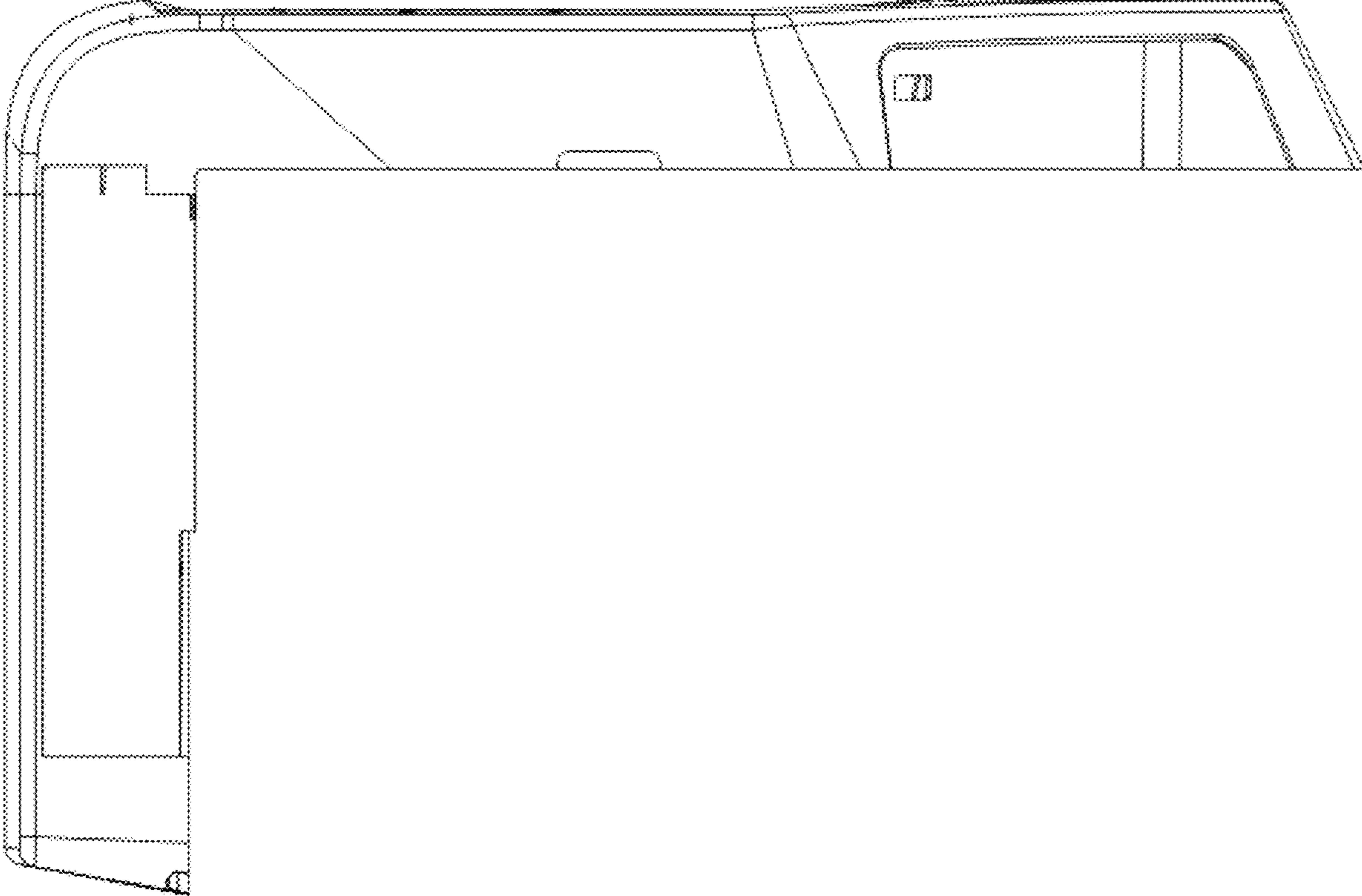


FIG. 2



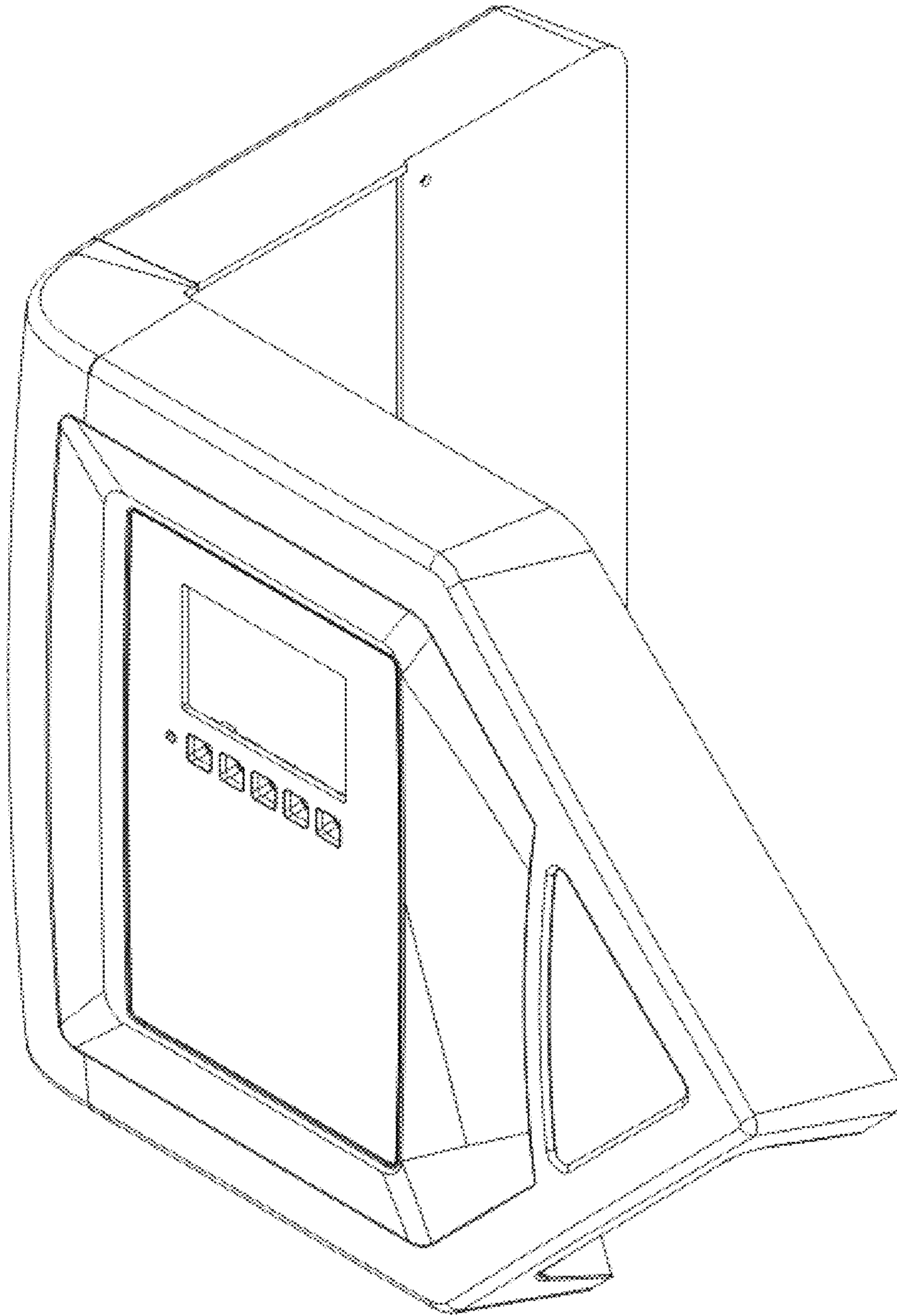


FIG. 3

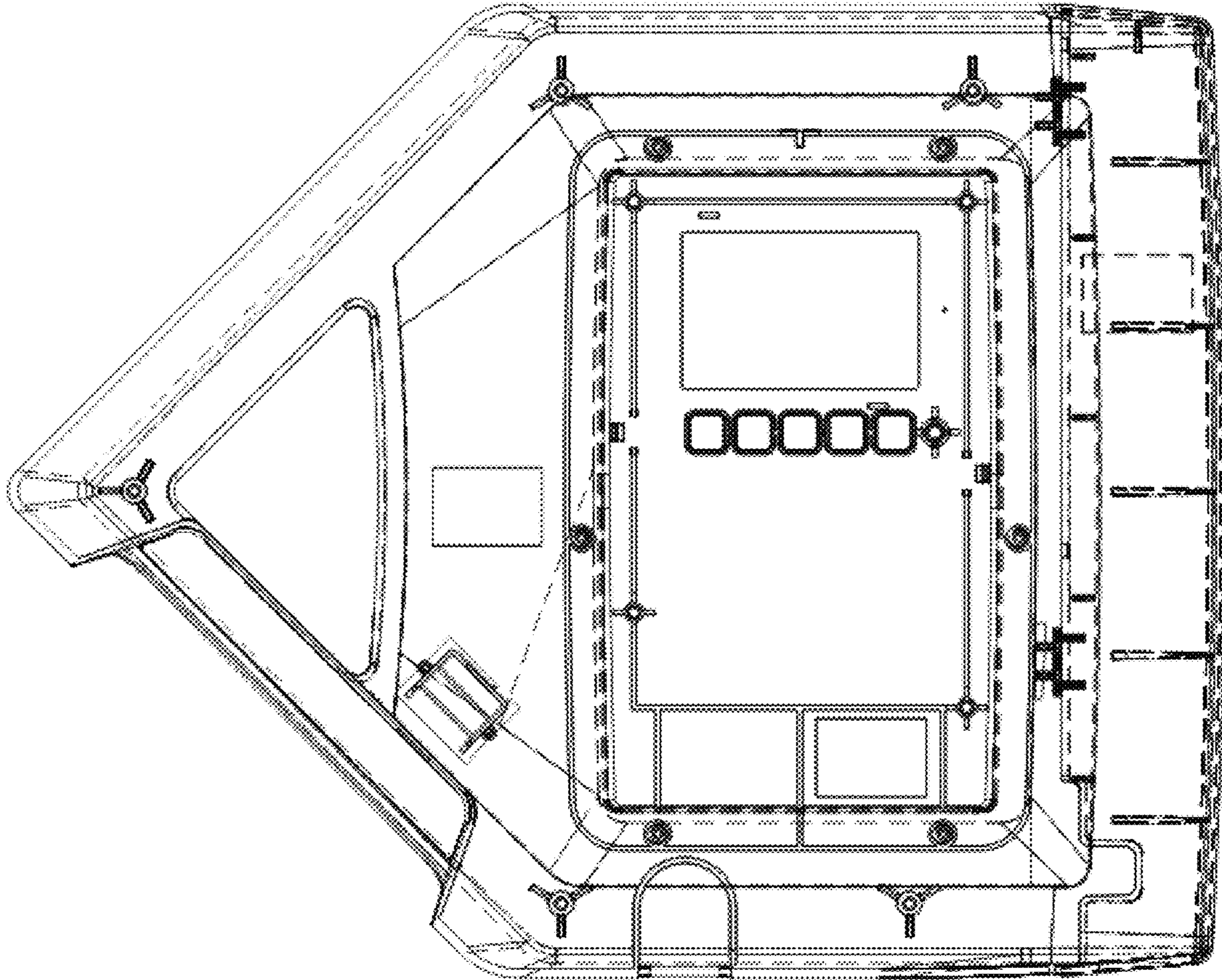


FIG. 4

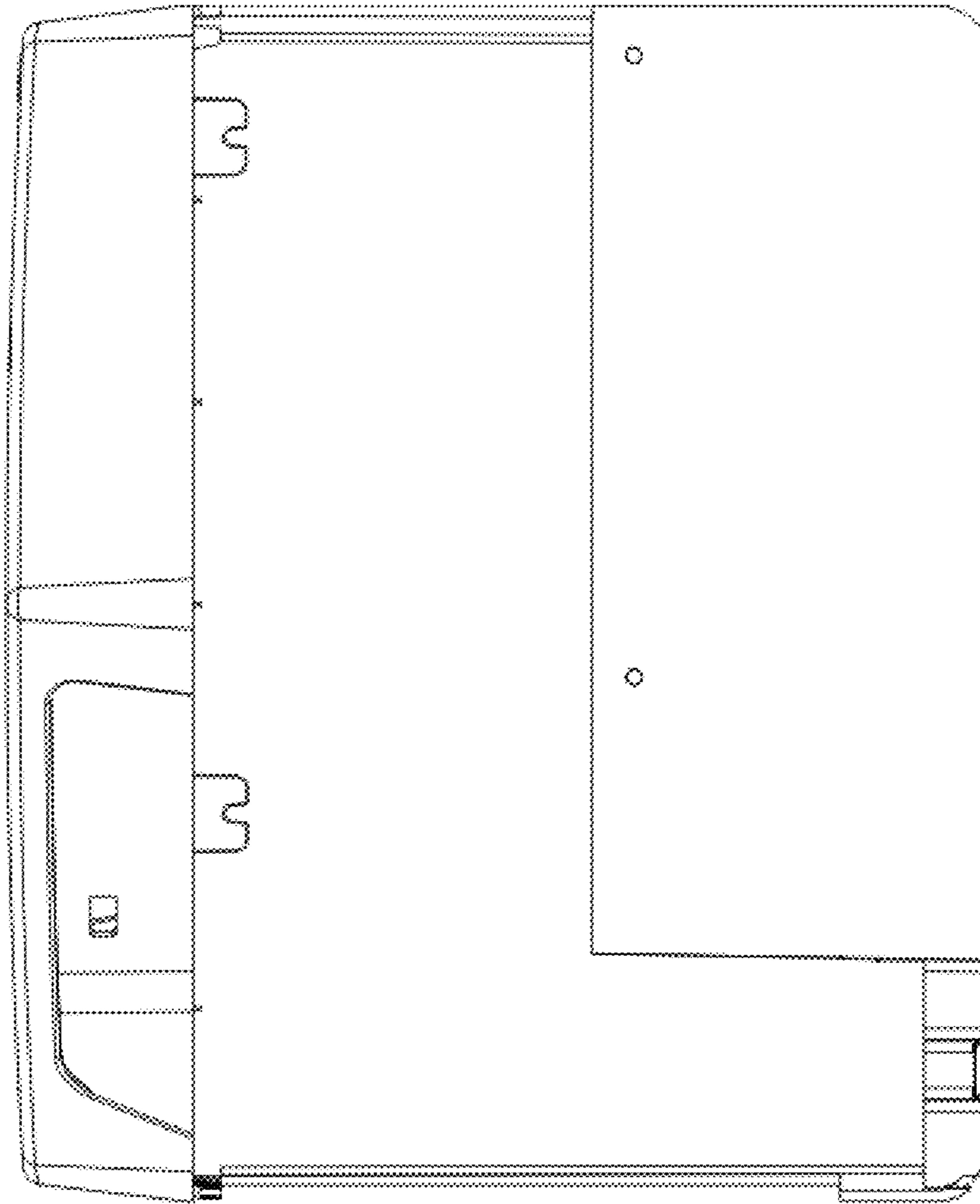


FIG. 5



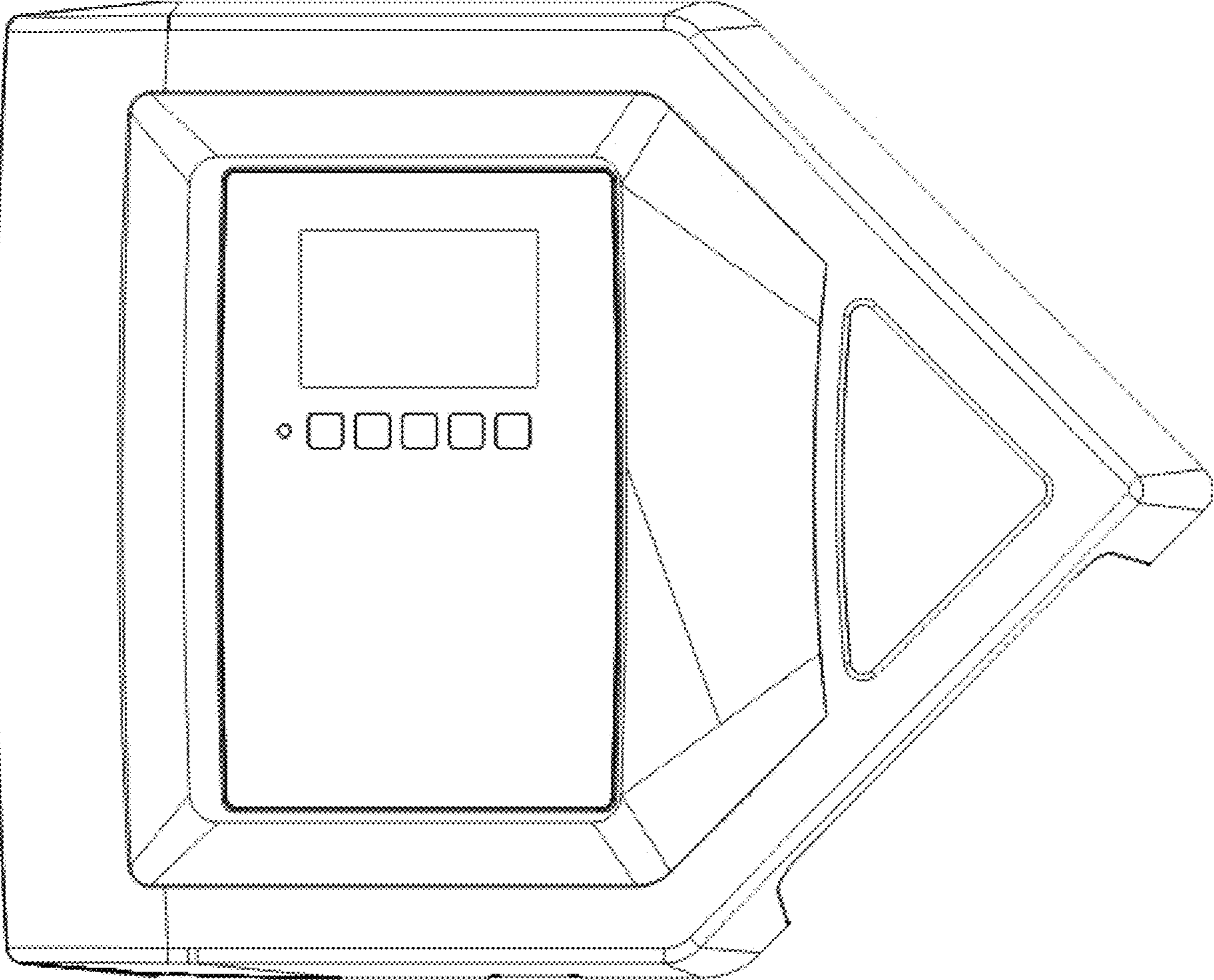


FIG. 6



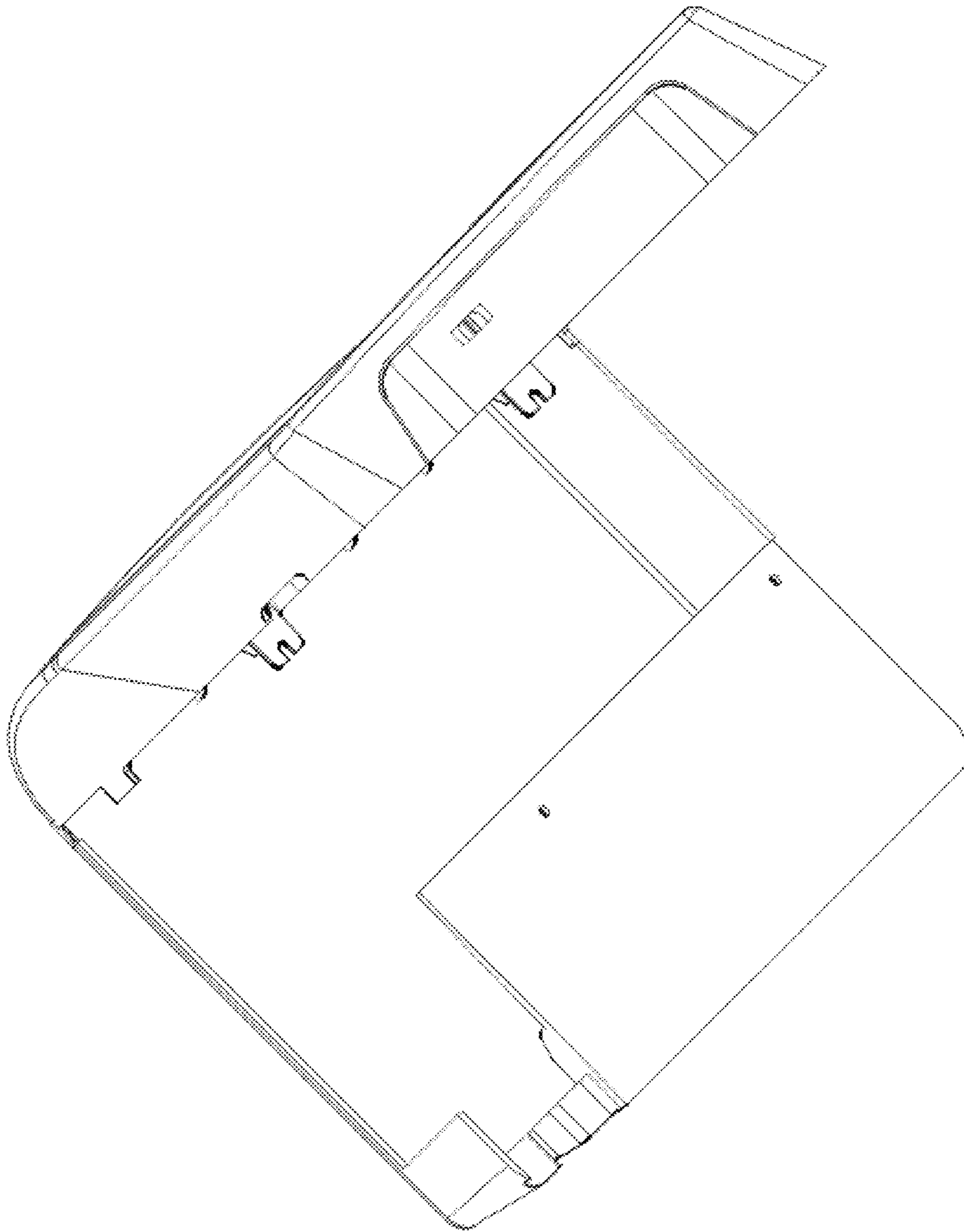


FIG. 7

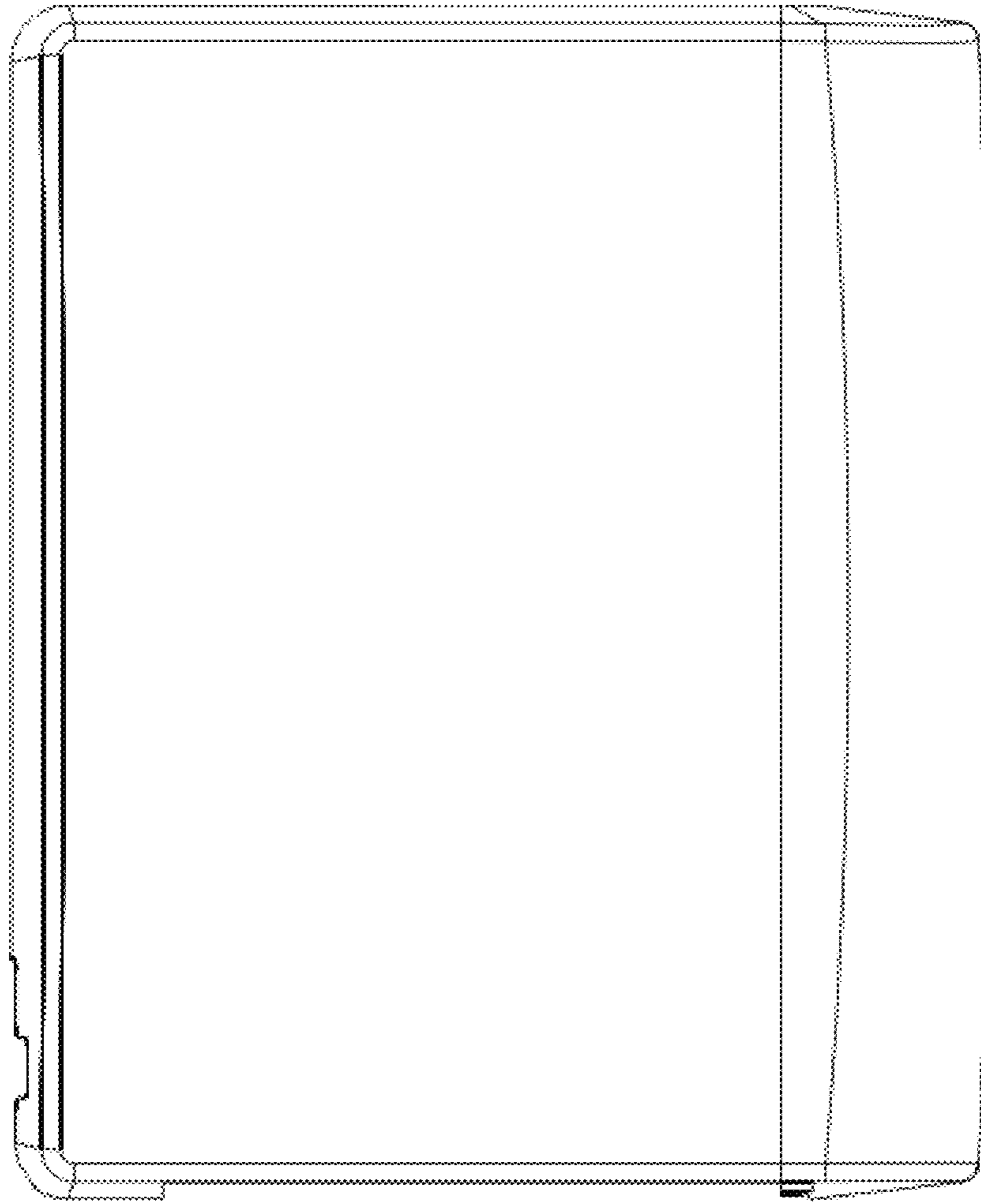


FIG. 8

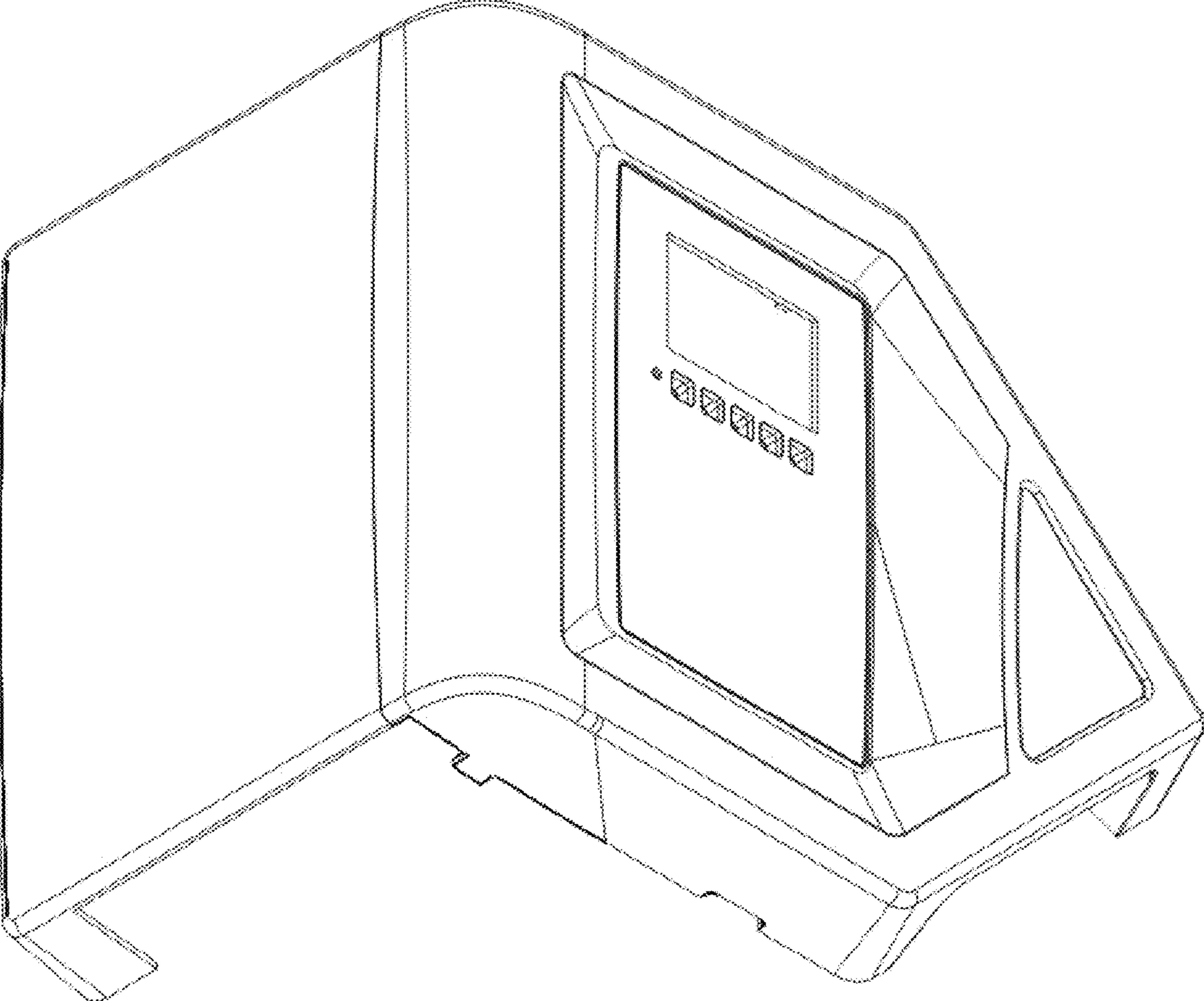


FIG. 9

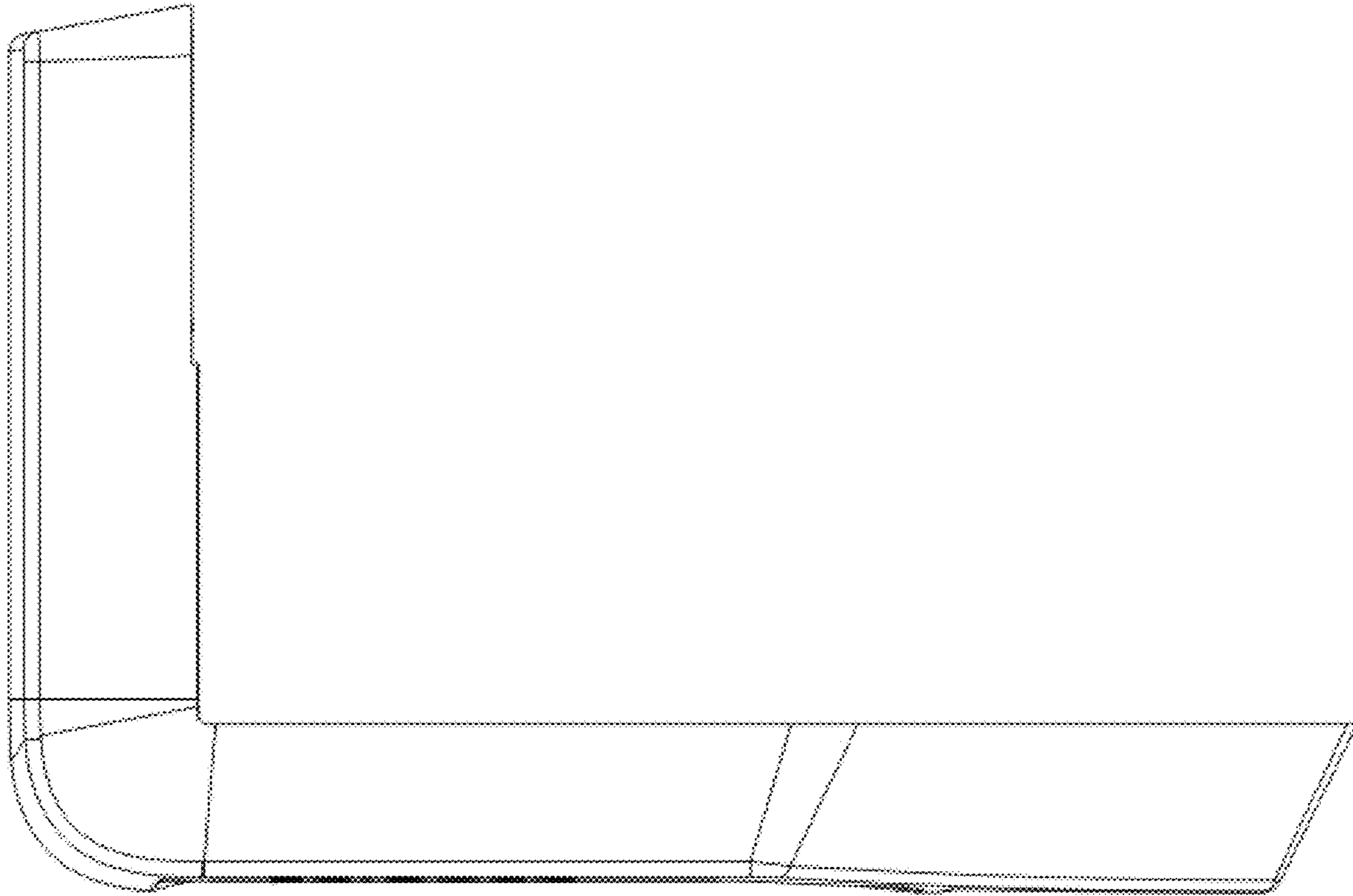


FIG. 10



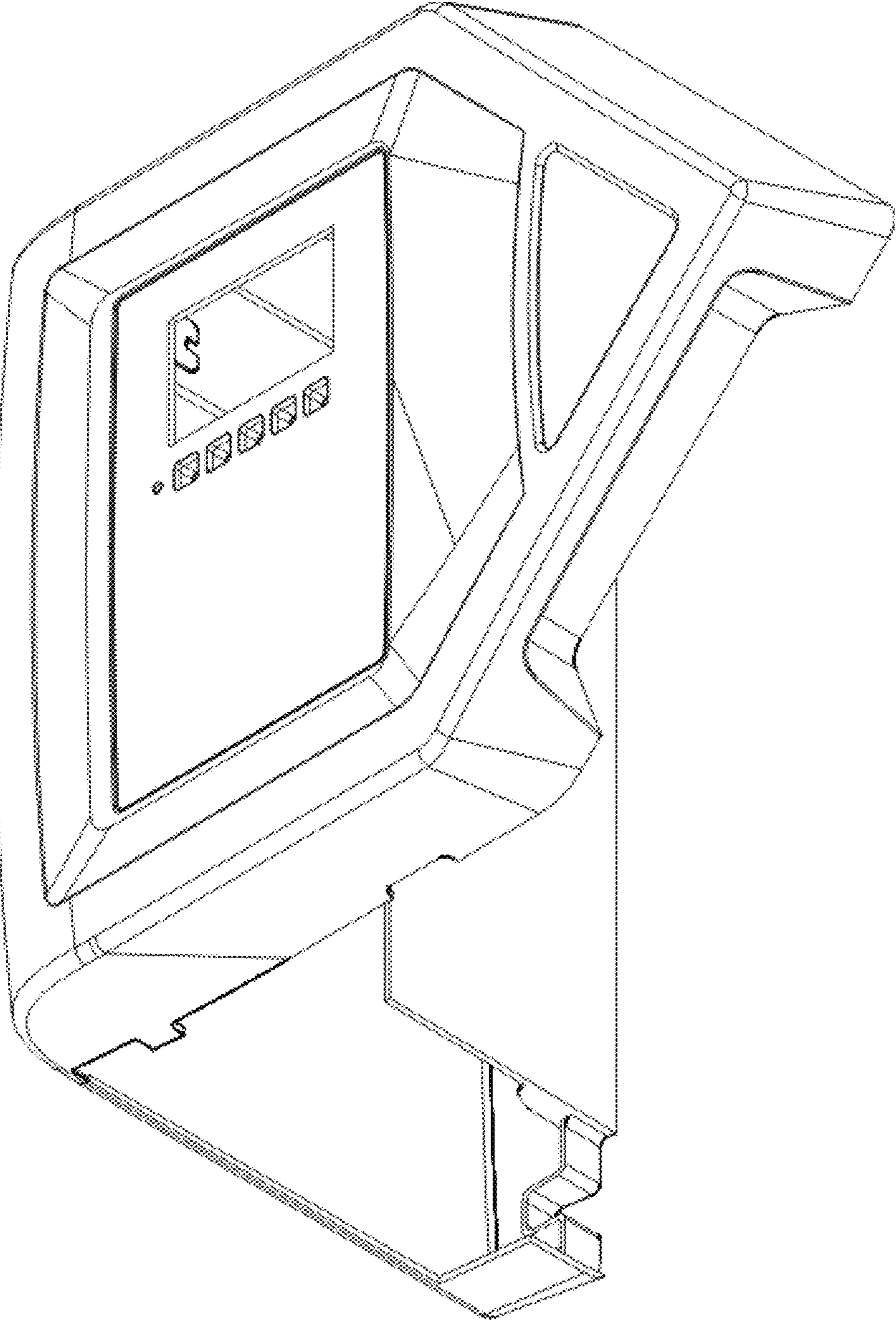


FIG. 11

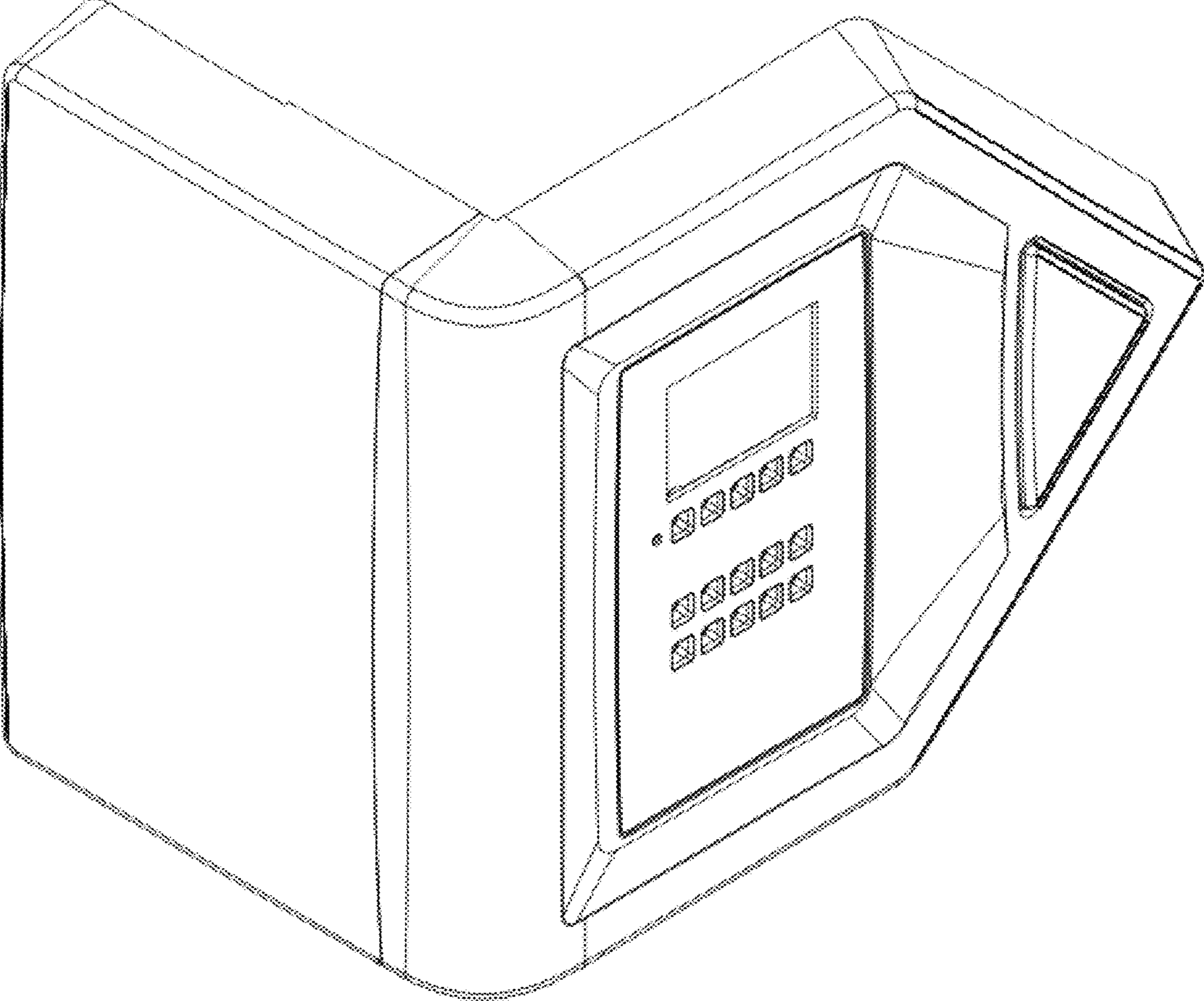


FIG. 12

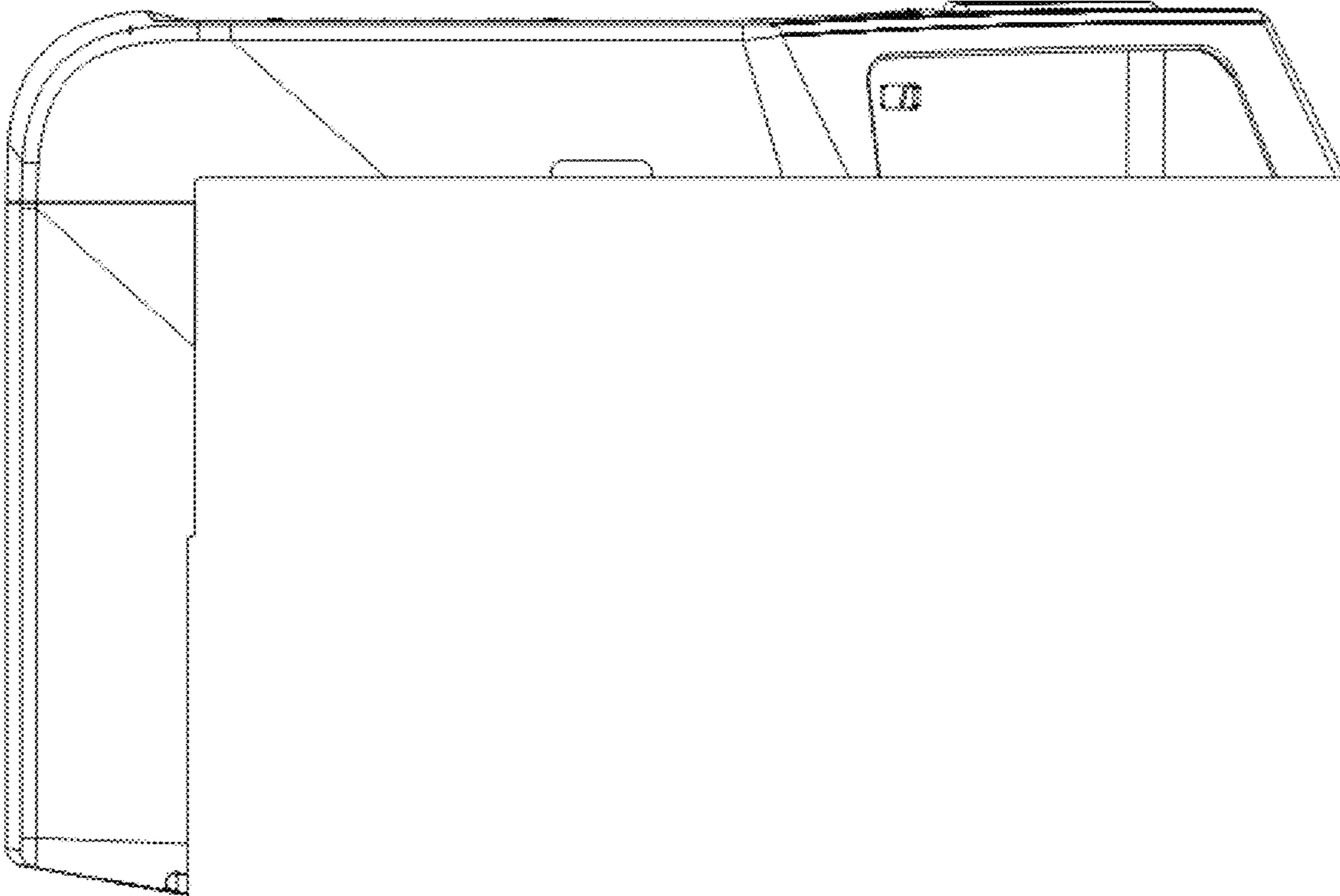


FIG. 13

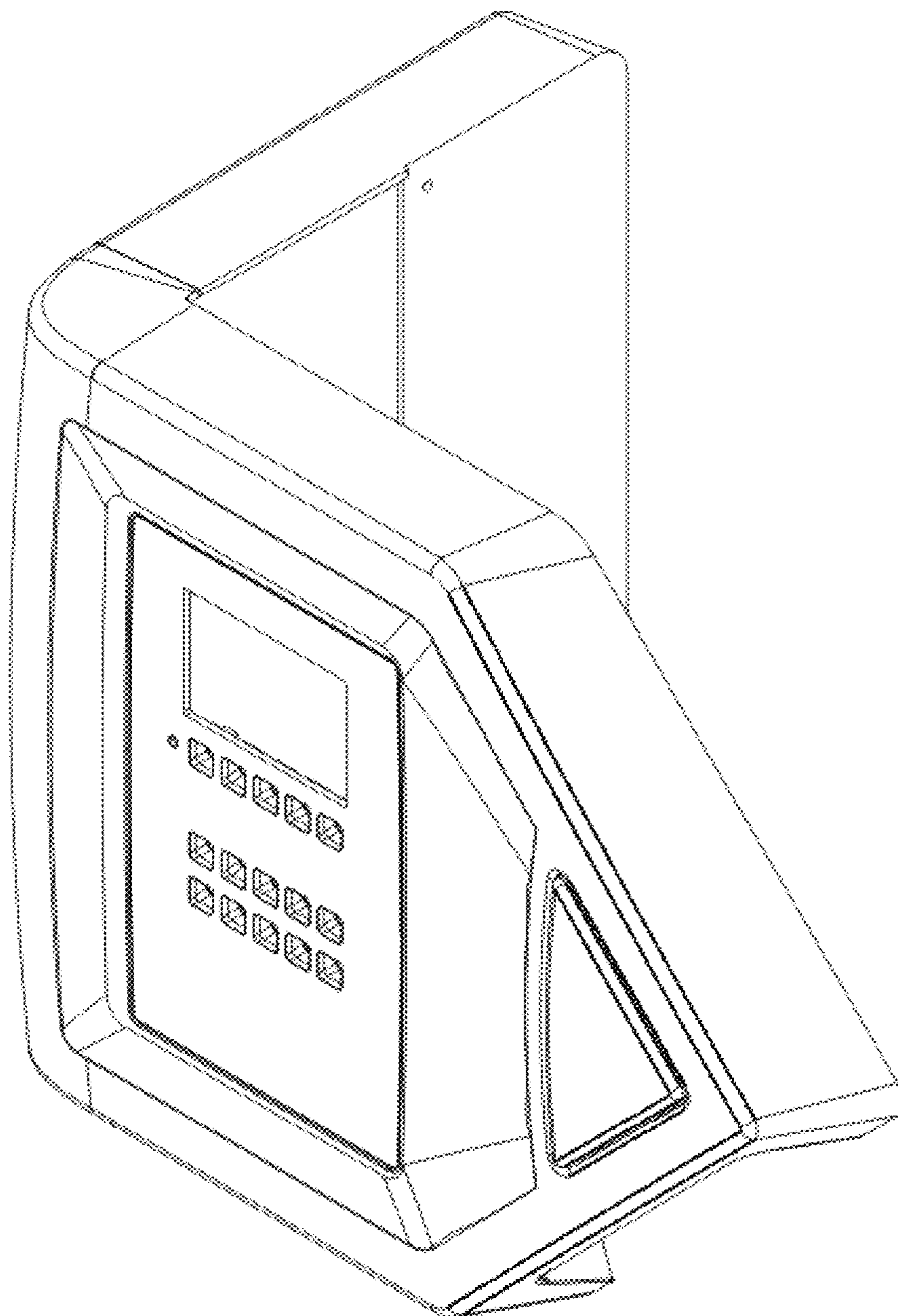


FIG. 14



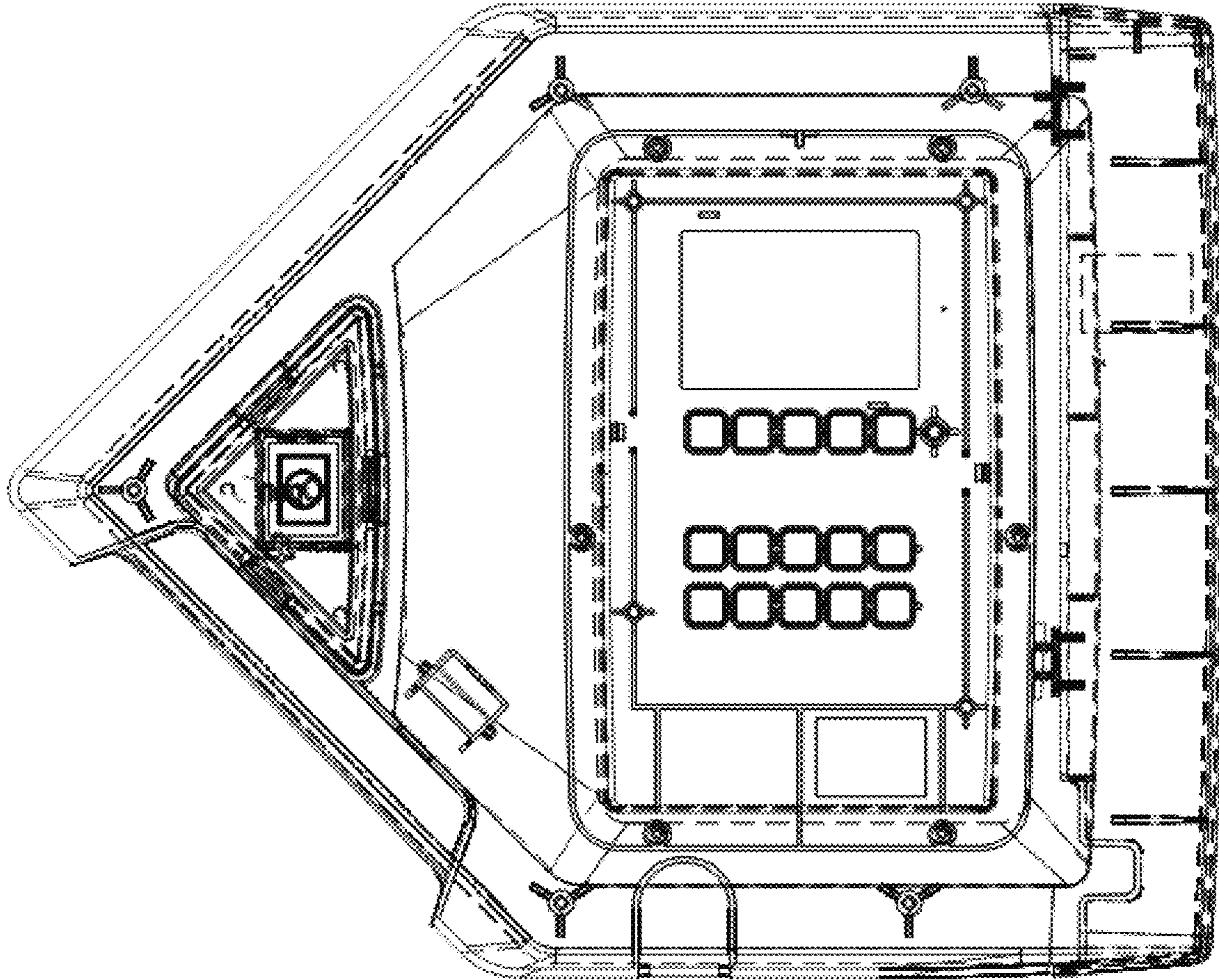


FIG. 15

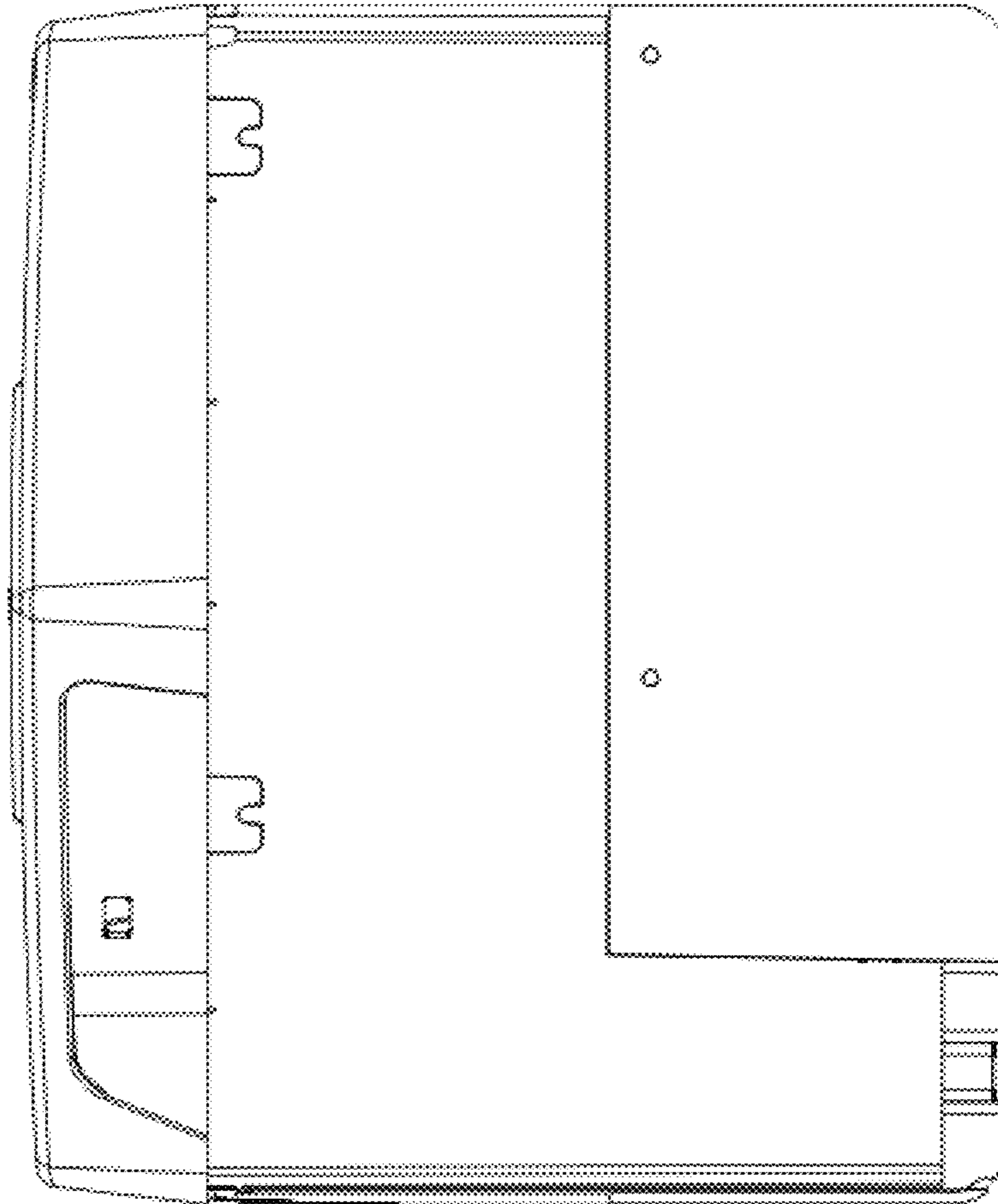


FIG. 16

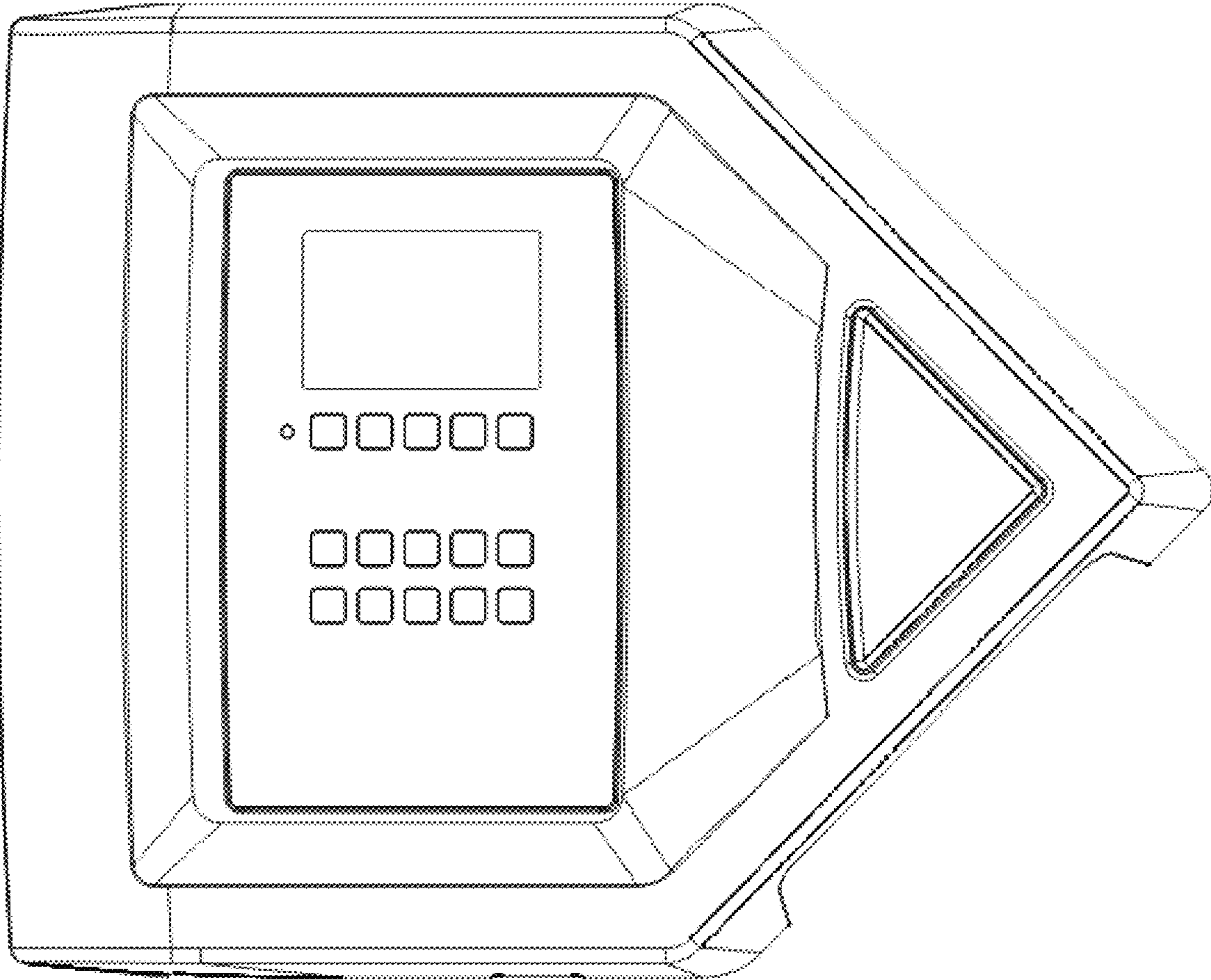


FIG. 17

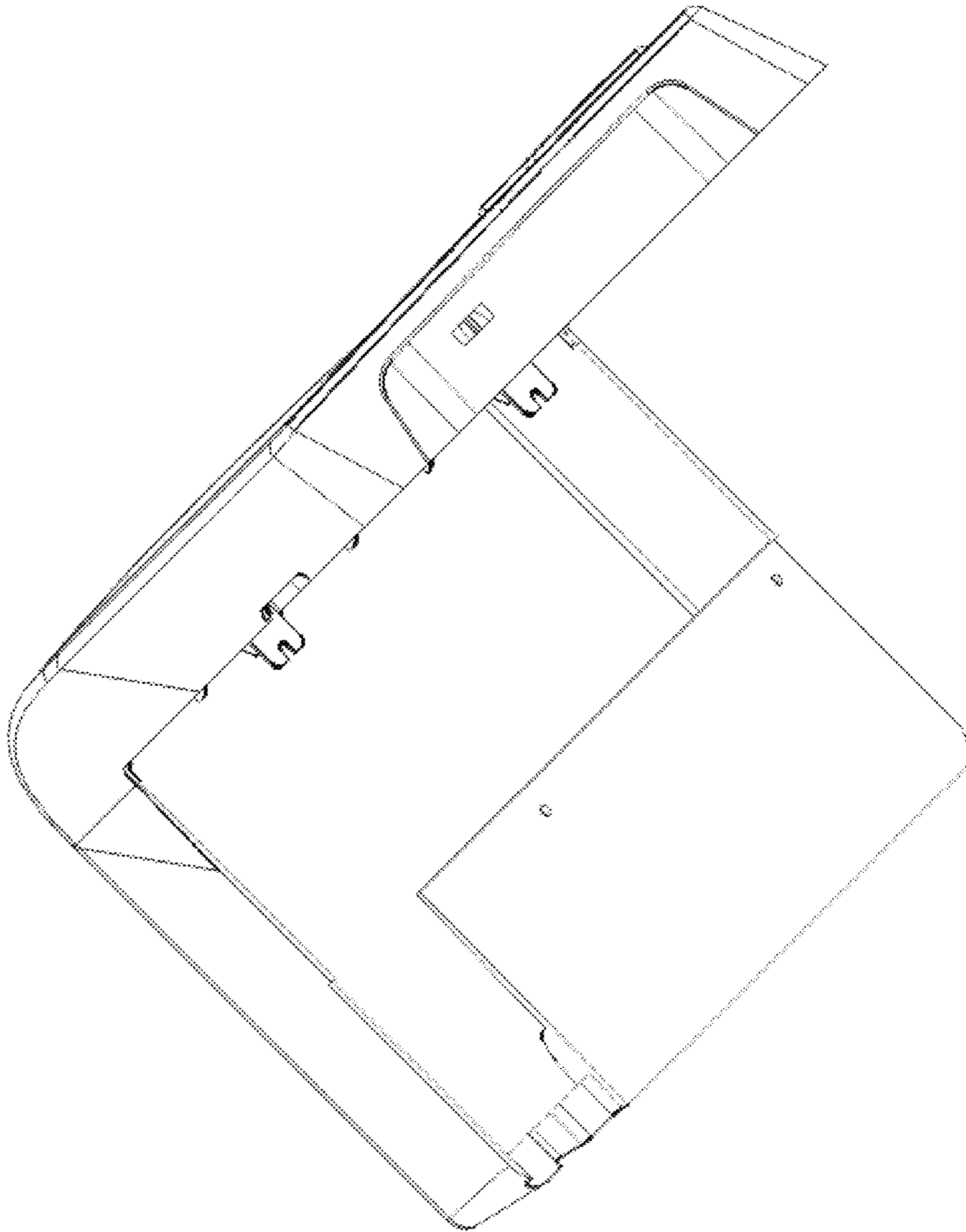


FIG. 18



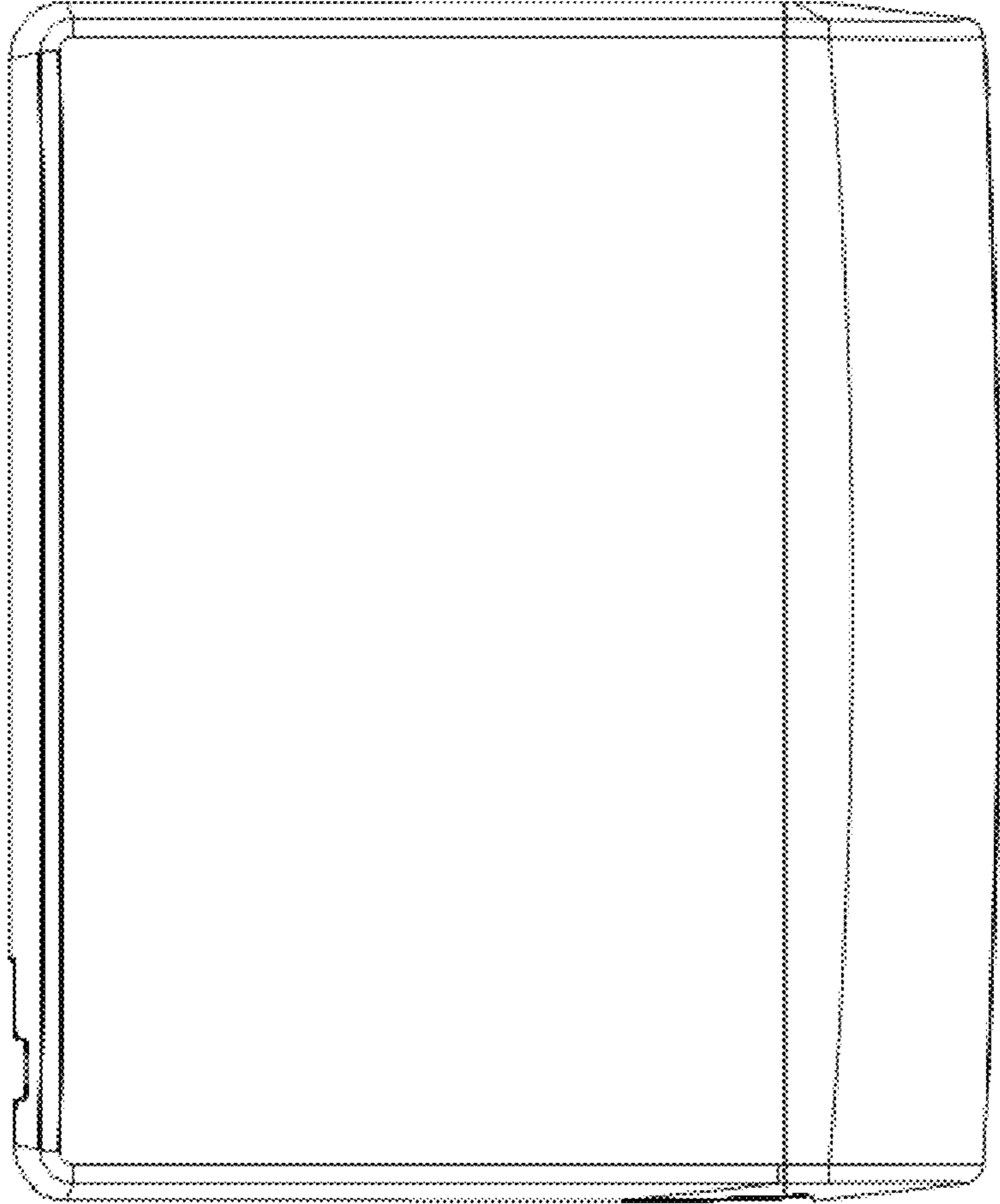


FIG. 19

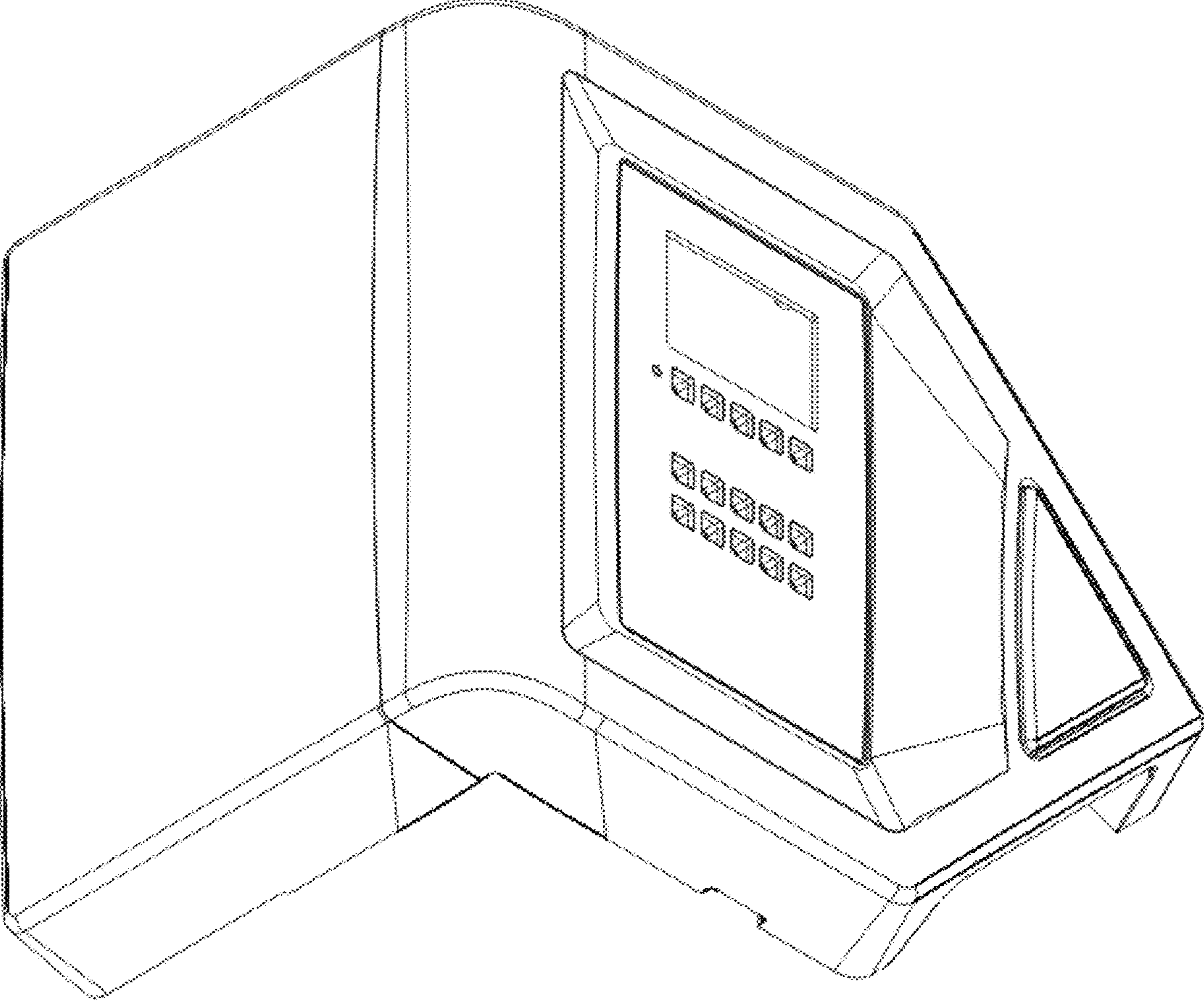


FIG. 20

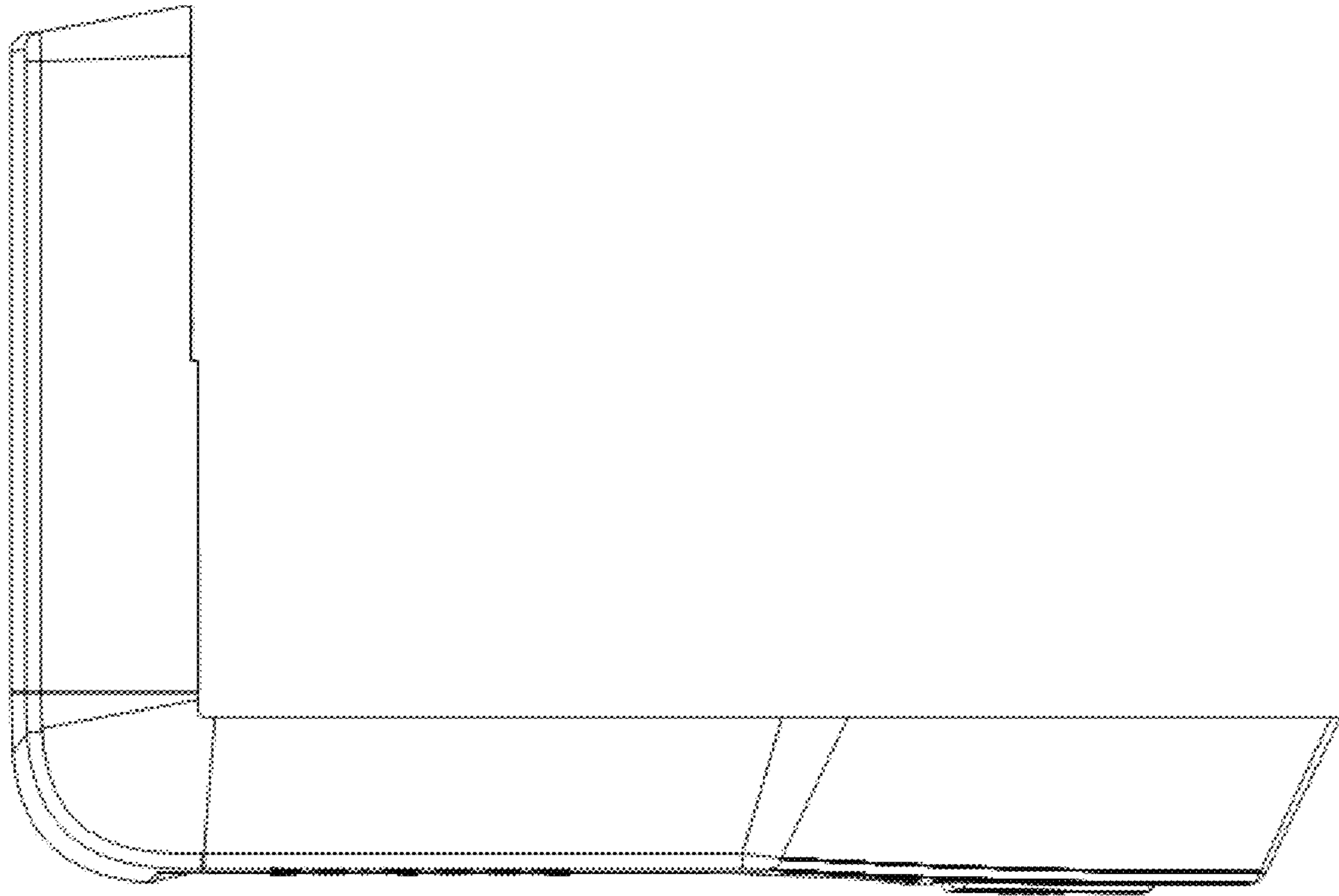


FIG. 21

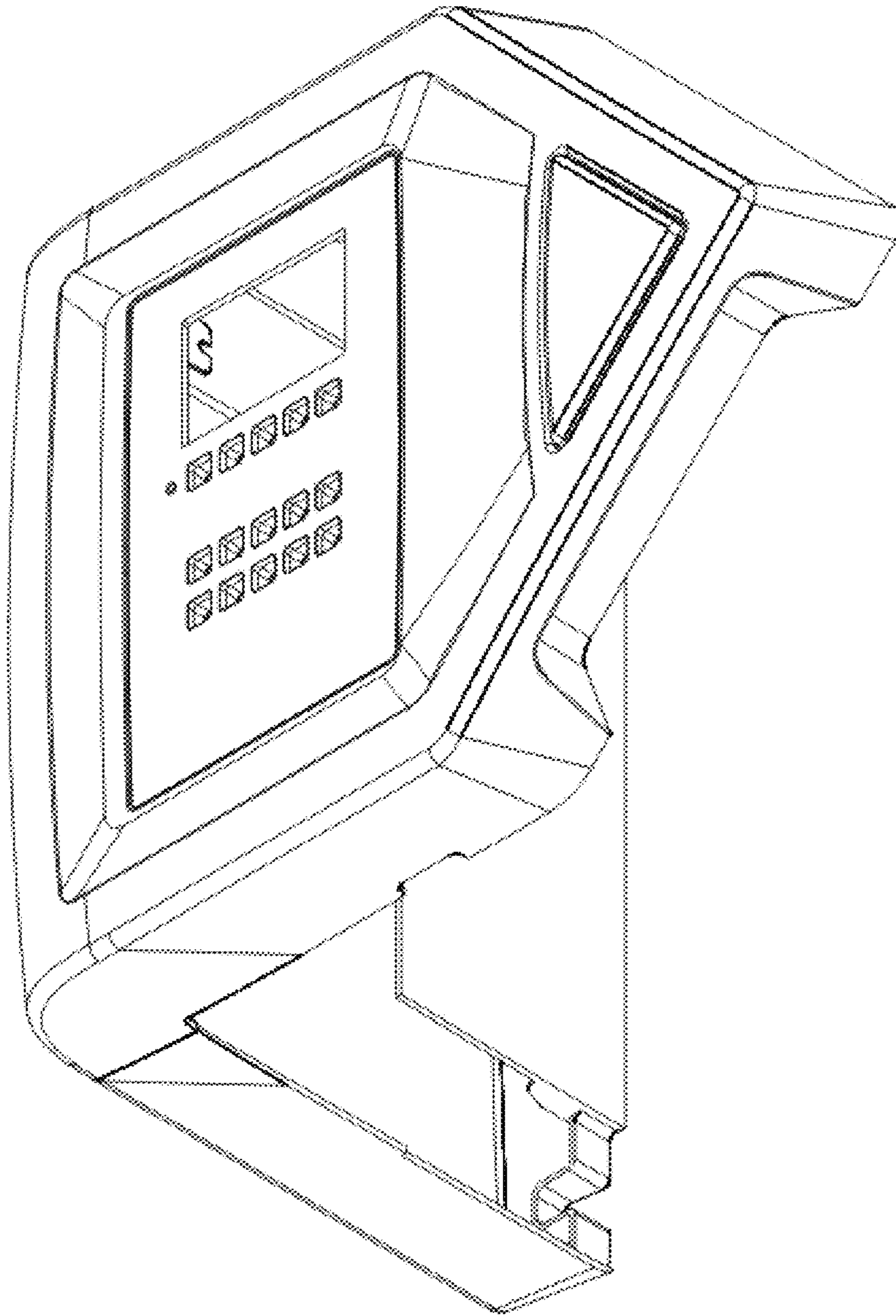


FIG. 22