



US00D883106S

(12) **United States Design Patent** (10) **Patent No.:** **US D883,106 S**  
**Lee et al.** (45) **Date of Patent:** **\*\* May 5, 2020**

(54) **ENDURANCE TESTER FOR FLEXIBLE DISPLAY**

(71) Applicant: **FLEXIGO, INC.**,  
Chungcheongnam-Do (KR)

(72) Inventors: **Ki Yong Lee**, Cheonan-si (KR); **Hyeon Bong Moon**, Cheonan-si (KR)

(73) Assignee: **FlexiGO, INC.**, Chungcheongnam-do (KR)

(\*\*) Term: **15 Years**

(21) Appl. No.: **35/506,273**

(22) Filed: **Jul. 4, 2018**

(80) **Hague Agreement Data**

Int. Filing Date: **Jul. 4, 2018**  
Int. Reg. No.: **DM/102892**  
Int. Reg. Date: **Jul. 4, 2018**  
Int. Reg. Pub. Date: **Jan. 4, 2019**

(30) **Foreign Application Priority Data**

Jan. 4, 2018 (KR) ..... 30-2018-0000554

(51) **LOC (12) Cl.** ..... **10-04**

(52) **U.S. Cl.**  
USPC ..... **D10/46**

(58) **Field of Classification Search**

USPC ..... D10/83, 46  
CPC ..... G01N 3/08; G01N 3/32  
See application file for complete search history.

(56) **References Cited**

**U.S. PATENT DOCUMENTS**

D394,015 S \* 5/1998 Kellstedt, Jr. .... D10/46  
8,584,538 B2 \* 11/2013 McCloskey ..... G01N 3/32  
73/865.6

D704,582 S \* 5/2014 Muraoka ..... D10/83  
D723,406 S \* 3/2015 Bardin ..... D10/83  
D750,518 S \* 3/2016 Blank ..... D10/83  
D796,360 S \* 9/2017 Schulz ..... D10/83  
D798,753 S \* 10/2017 Iwata ..... D10/83  
D826,754 S \* 8/2018 Tam ..... D10/83  
10,067,044 B2 \* 9/2018 Taba ..... G01N 3/08  
D847,674 S \* 5/2019 Matsumiya ..... D10/83  
D847,675 S \* 5/2019 Matsumiya ..... D10/83  
D847,676 S \* 5/2019 Matsumiya ..... D10/83  
D848,882 S \* 5/2019 Matsumiya ..... D10/83  
D848,883 S \* 5/2019 Matsumiya ..... D10/83

\* cited by examiner

*Primary Examiner* — George D. Kirschbaum

(74) *Attorney, Agent, or Firm* — Nelson Mullins Riley & Scarborough LLP; Kongsik Kim, Esq.

(57) **CLAIM**

The ornamental design for endurance tester for flexible display, as shown and described.

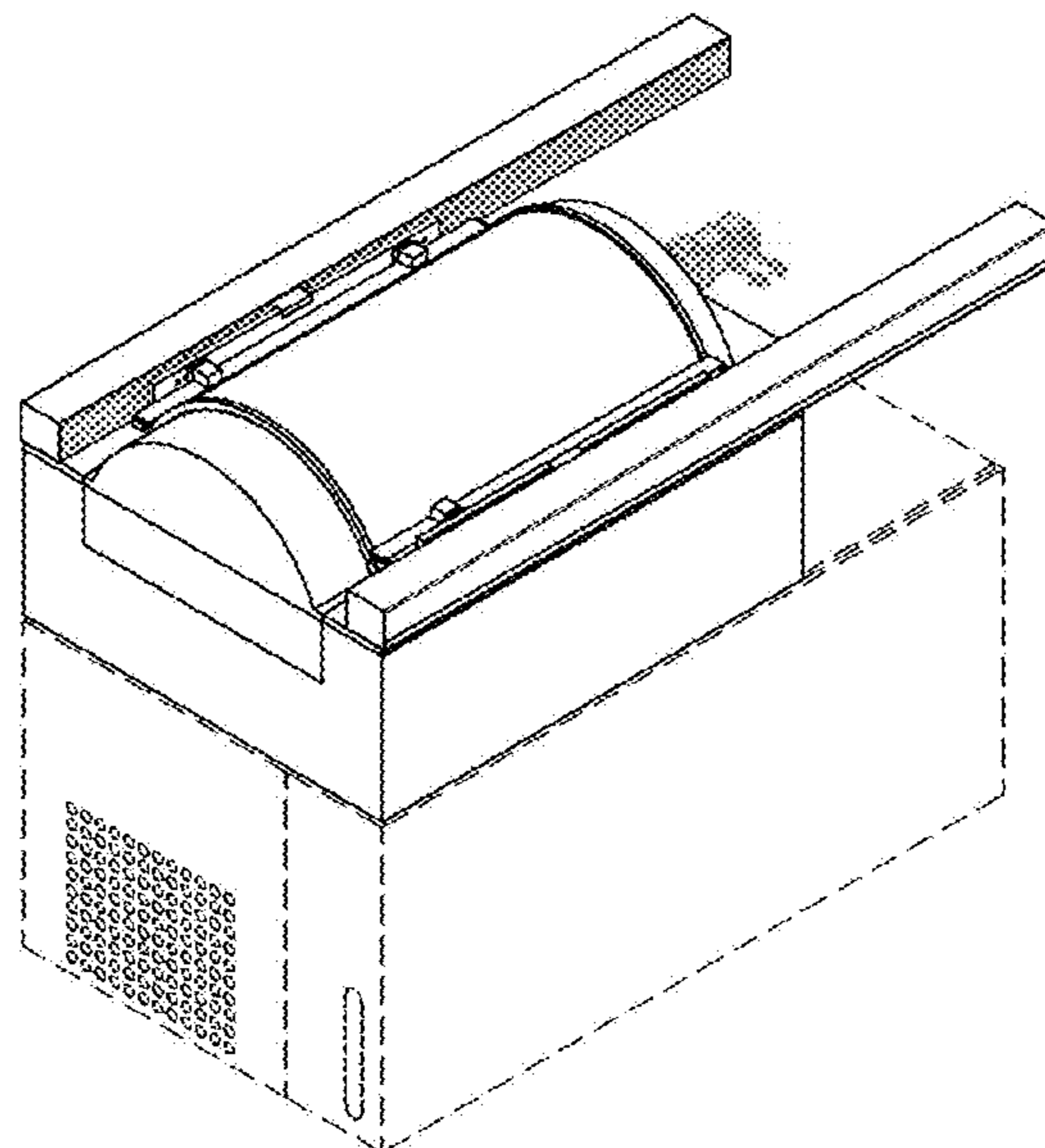
**DESCRIPTION**

The patent or application file contains at least one drawing executed in color. Copies of this patent or patent application publication with color drawing(s) will be provided by the Office upon request and payment of the necessary fee.

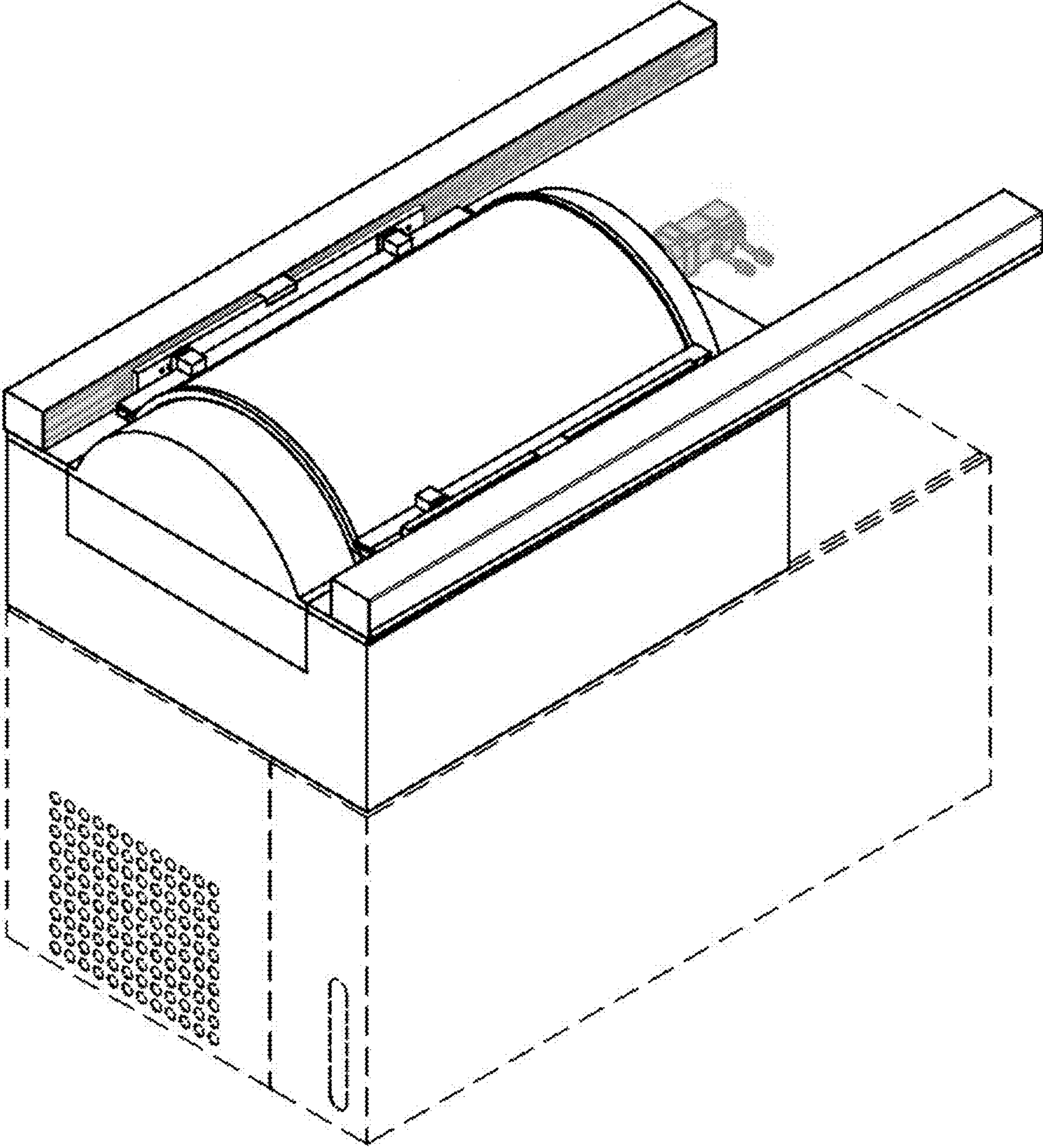
- 1.1 : Perspective
- 1.2 : Front
- 1.3 : Back
- 1.4 : Left
- 1.5 : Right
- 1.6 : Top
- 1.7 : Bottom

The elements colored in yellow are included for the purpose of illustrating portions of the endurance tester for flexible display that form no part of the claimed design.

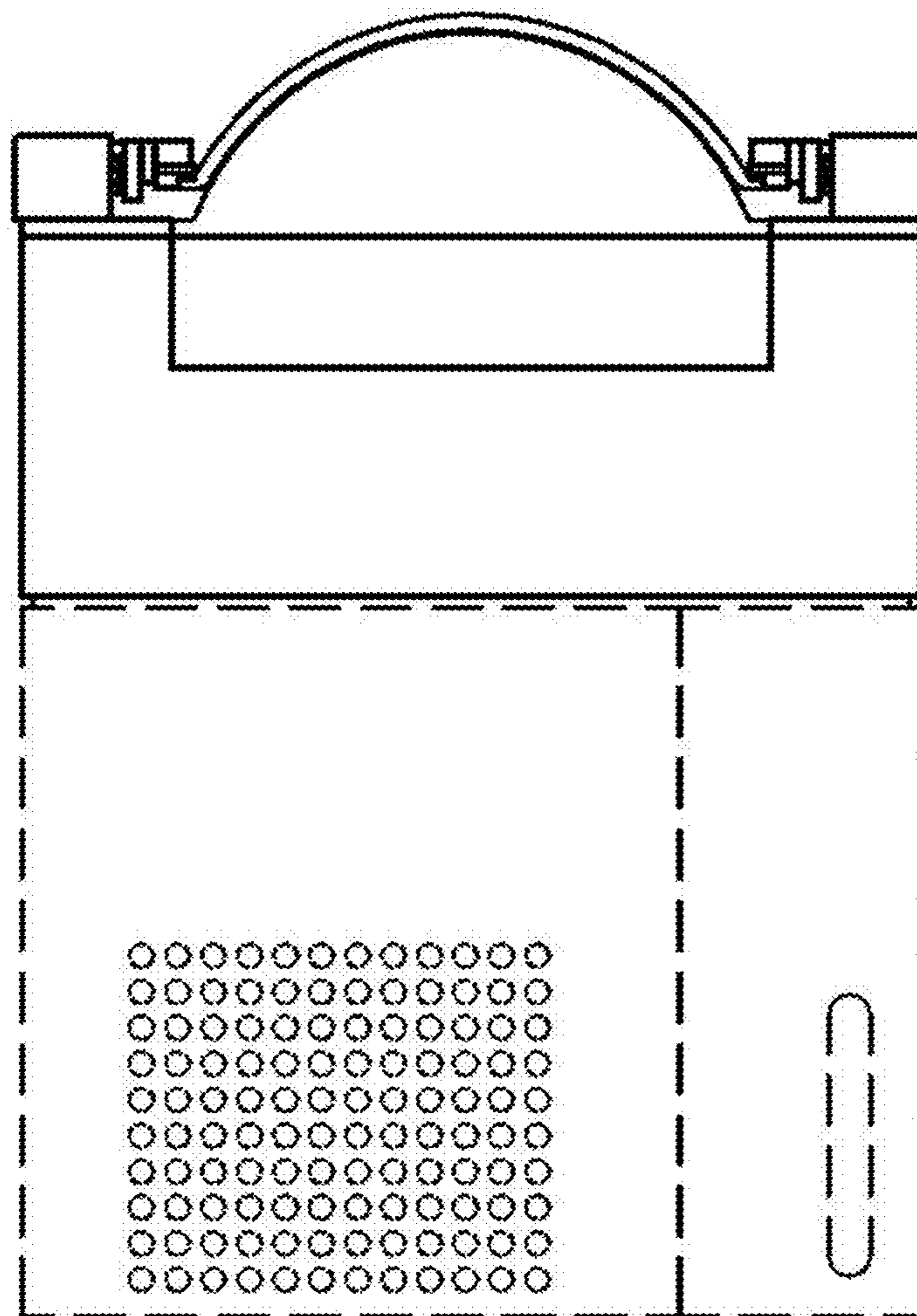
**1 Claim, 7 Drawing Sheets**  
**(5 of 7 Drawing Sheet(s) Filed in Color)**



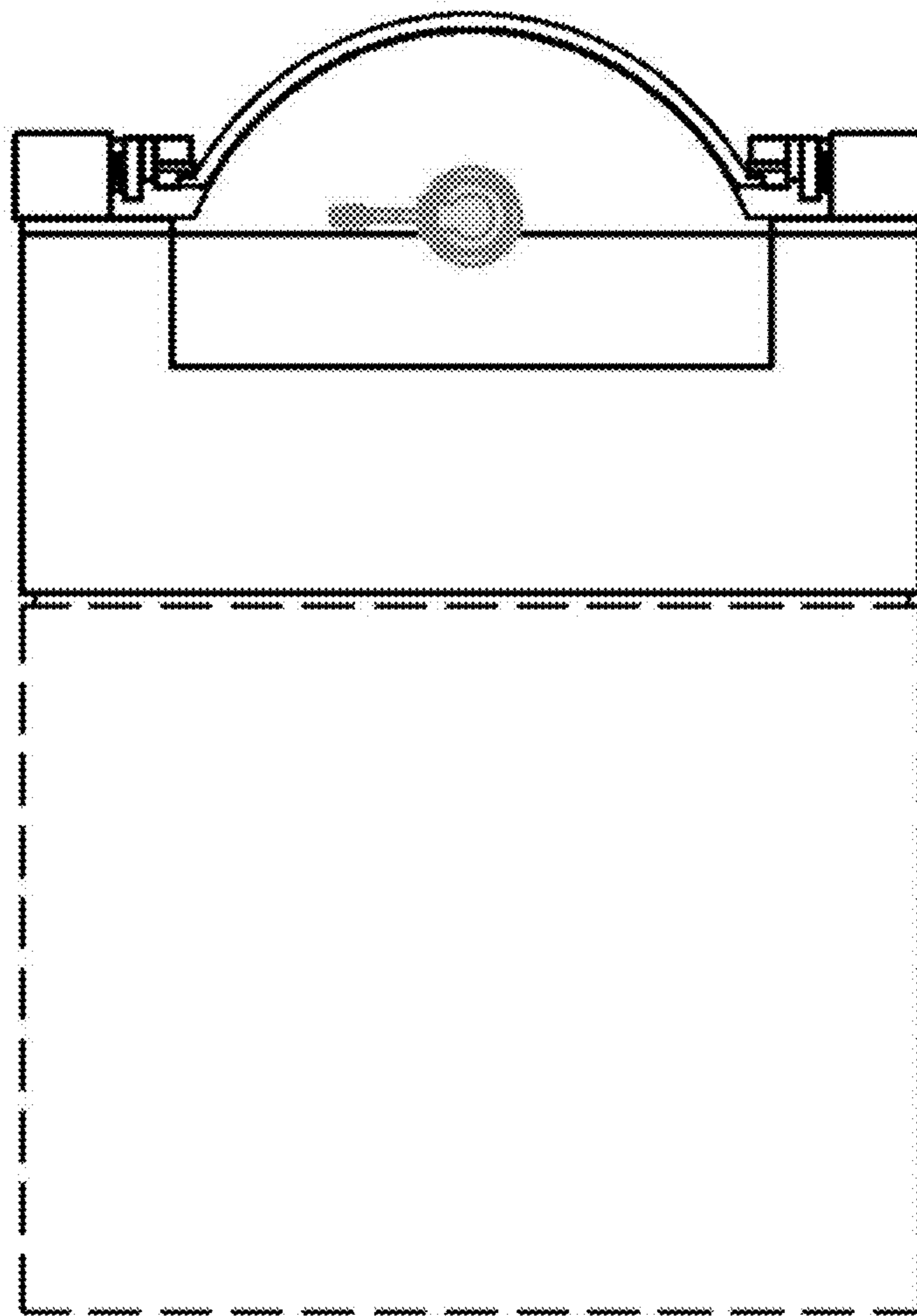
1.1



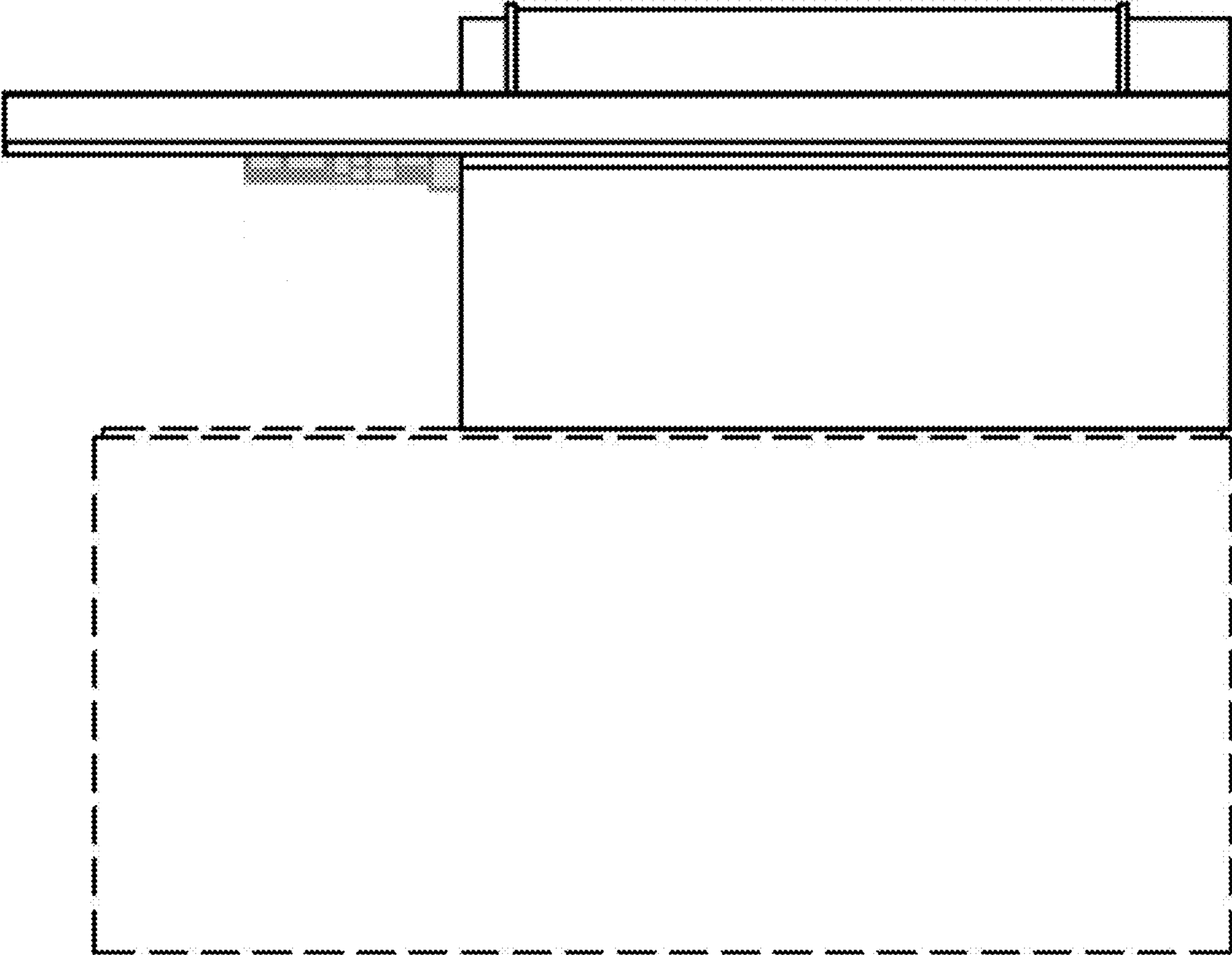
1.2



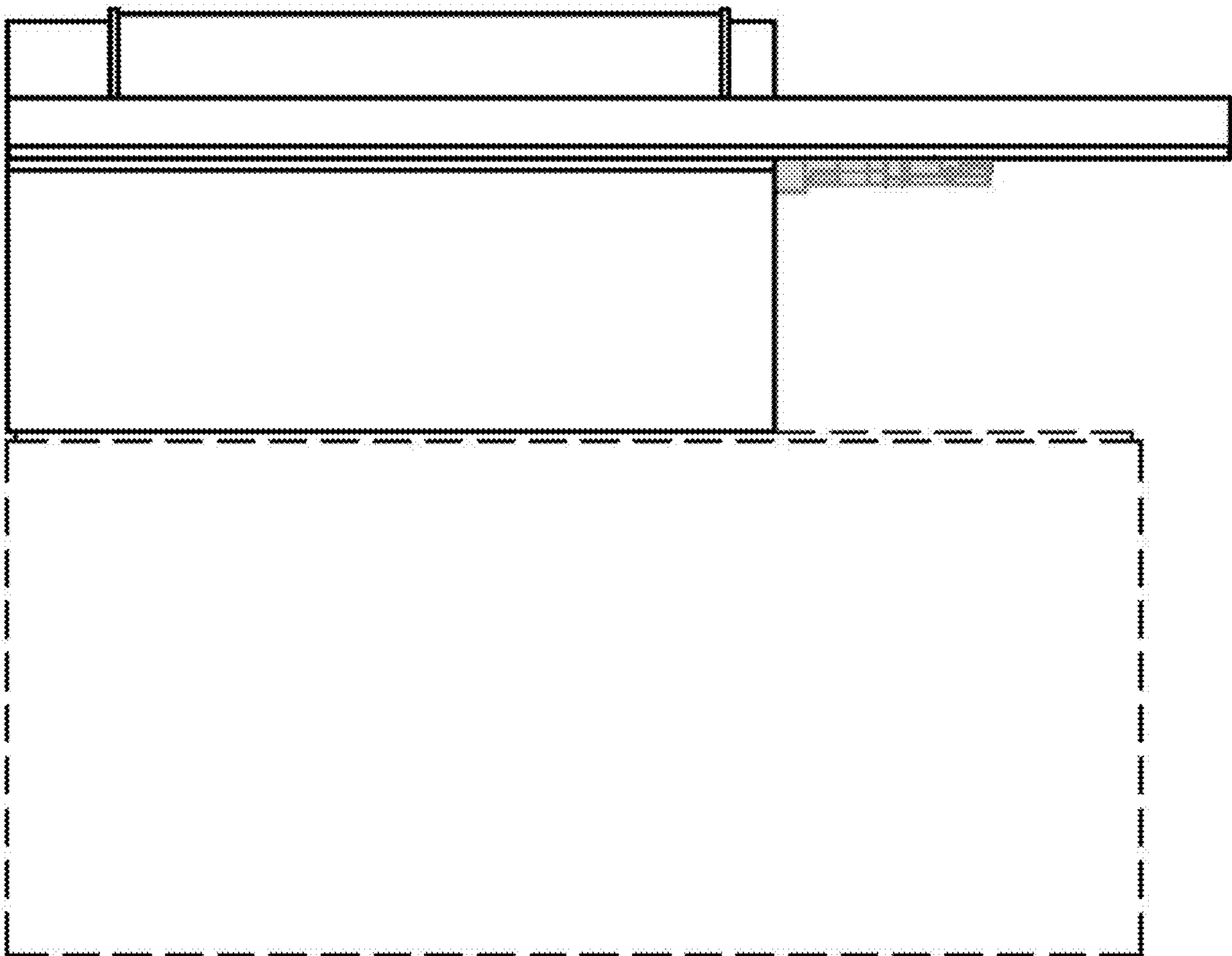
1.3



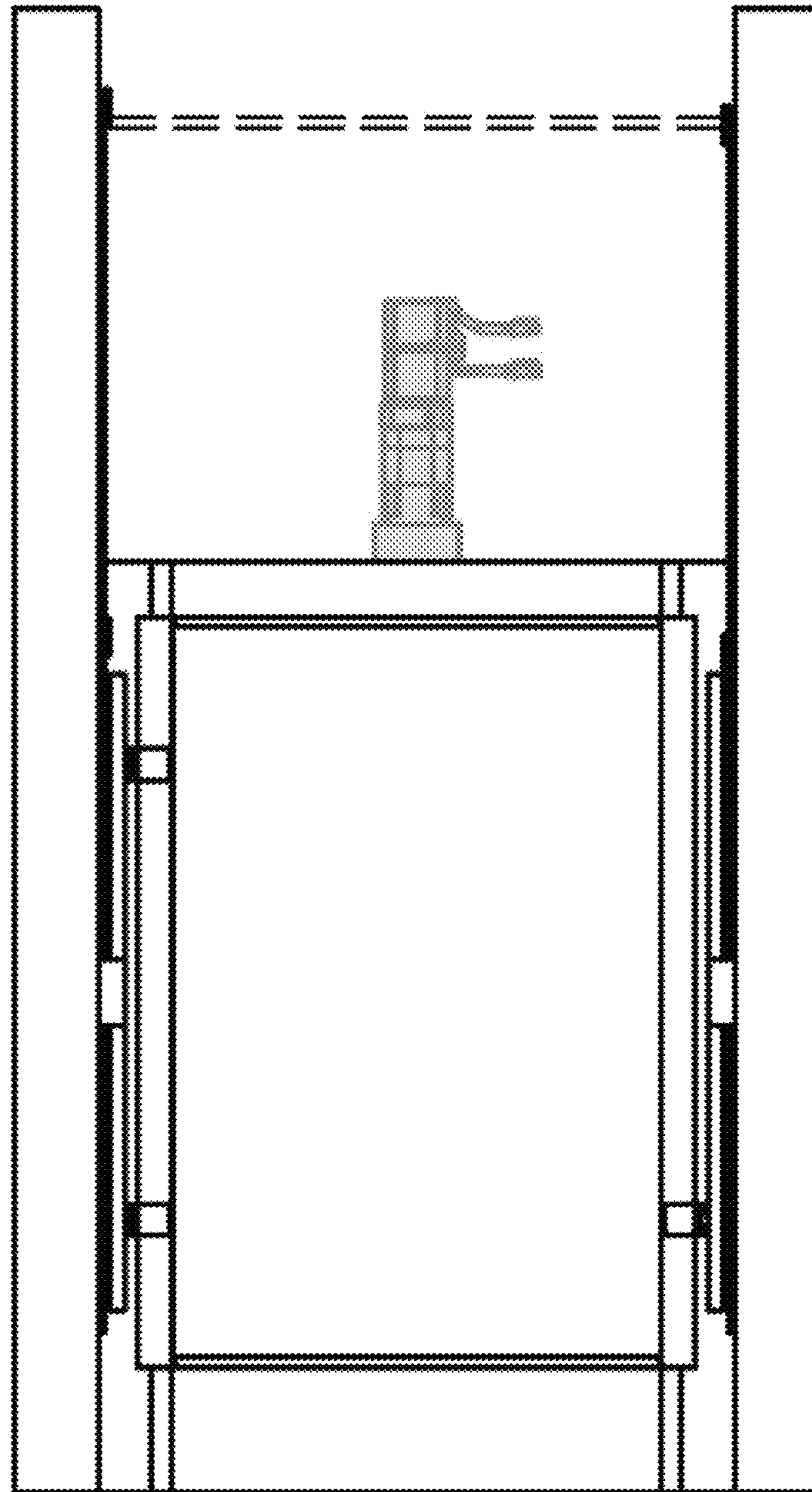
1.4



1.5



1.6



1.7

