



US00D883105S

(12) **United States Design Patent** (10) **Patent No.:** **US D883,105 S**
Bode (45) **Date of Patent:** **** May 5, 2020**

(54) **WATCH CASE**

(71) Applicant: **Lange Uhren GmbH**, Glashutte (DE)

(72) Inventor: **Nils Bode**, Hannover (DE)

(73) Assignee: **Lange Uhren GmbH**, Glashutte (DE)

(**) Term: **15 Years**

(21) Appl. No.: **29/666,632**

(22) Filed: **Oct. 15, 2018**

(30) **Foreign Application Priority Data**

Apr. 16, 2018 (WO) DM/100709

(51) **LOC (12) Cl.** **10-02**

(52) **U.S. Cl.**
USPC **D10/30**

(58) **Field of Classification Search**
USPC D10/1-2, 22, 30-39, 40-41, 122-126,
D10/129, 132

CPC G04B 19/00; G04B 19/02; G04B 19/025;
G04B 19/04; G04B 19/042; G04B
19/044; G04B 19/046; G04B 19/23;
G04B 19/18; G04B 19/06; G04B 19/065;
G04B 19/08; G04B 19/082; G04B
19/085; G04B 19/087; G04B 19/10;
G04B 19/103; G04B 19/106; G04B
19/12; G04B 19/166; G04B 19/20; G04B
19/22; G04B 19/262; G04B 19/264;
G04B 19/24; G04B 19/241; G04B
19/243; G04B 19/24306; G04B 19/24313;
G04B 19/2432; G04B 37/00; G04B
37/008; G04B 45/00; G04B 45/0069;
G04B 45/0076; G04B 47/00; G04B
47/048; G04B 5/04; G04B 5/06; G04B
5/08; G04B 5/10; G04B 5/12; G04B
5/14; G04B 5/16; G04B 5/18; G09B
19/12; G07C 1/28

See application file for complete search history.

(56) **References Cited**

U.S. PATENT DOCUMENTS

D373,538 S *	9/1996	Riley	D10/30
D414,121 S *	9/1999	Hanagata	D10/30
D455,971 S *	4/2002	Yamamoto	D10/39
D502,410 S *	3/2005	Dias	D10/128
D506,685 S *	6/2005	Yamamoto	D10/32
D536,998 S *	2/2007	Fujihara	D10/38
D564,370 S *	3/2008	Bove	D10/38
D569,742 S *	5/2008	Scheufele	D10/39
D616,783 S *	6/2010	Chastaingt	D10/128

(Continued)

OTHER PUBLICATIONS

A Lange Sohne Odysseus I posted at hodinkee.com Oct. 2019 [online]. © 2009-2019, Hodinkee Inc [retrieved Dec. 9, 2019] from Internet: <<https://www.hodinkee.com/articles/introducing-the-lange-odysseus>> (Year: 2019).*

Primary Examiner — Sandra S Snapp

Assistant Examiner — Katherine Glennon

(74) *Attorney, Agent, or Firm* — Taft Stettinius & Hollister LLP

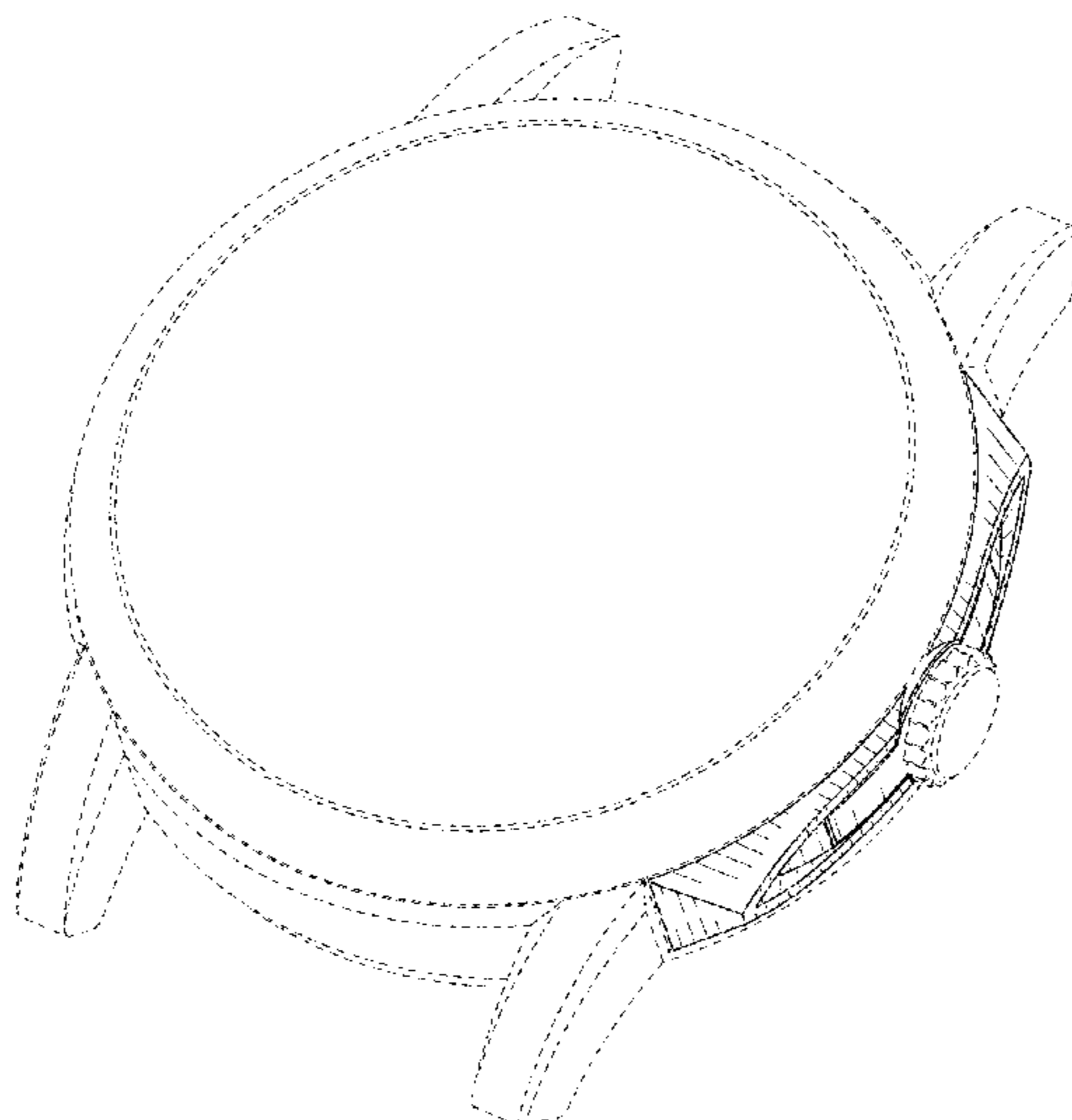
(57) **CLAIM**

The ornamental design for a watch case, as shown and described.

DESCRIPTION

FIG. 1 is a front elevational view of a watch case showing my new design;
FIG. 2 is a back elevational view thereof;
FIG. 3 is a right side elevational view thereof;
FIG. 4 is a right side, bottom elevational view thereof;
FIG. 5 is a bottom plan view thereof;
FIG. 6 is a top plan view thereof;
FIG. 7 is a front, right side perspective view thereof; and,
FIG. 8 is a back, right side perspective view thereof.
The broken lines depict unclaimed subject matter that form no part of the claimed design.

1 Claim, 8 Drawing Sheets



(56)

References Cited

U.S. PATENT DOCUMENTS

D632,979 S * 2/2011 Chastaingt D10/38
D659,025 S * 5/2012 Yurman D10/32
D672,665 S * 12/2012 Deleskiewicz D10/38
D694,656 S * 12/2013 Inoue D10/38
D726,554 S * 4/2015 Takahashi D10/38
D775,973 S * 1/2017 Kamata D10/38
D784,166 S * 4/2017 Kishino D10/38
D785,468 S * 5/2017 White D10/30
9,971,307 B1 * 5/2018 Ting G08B 25/016
2017/0242401 A1 * 8/2017 White G04B 37/08

* cited by examiner

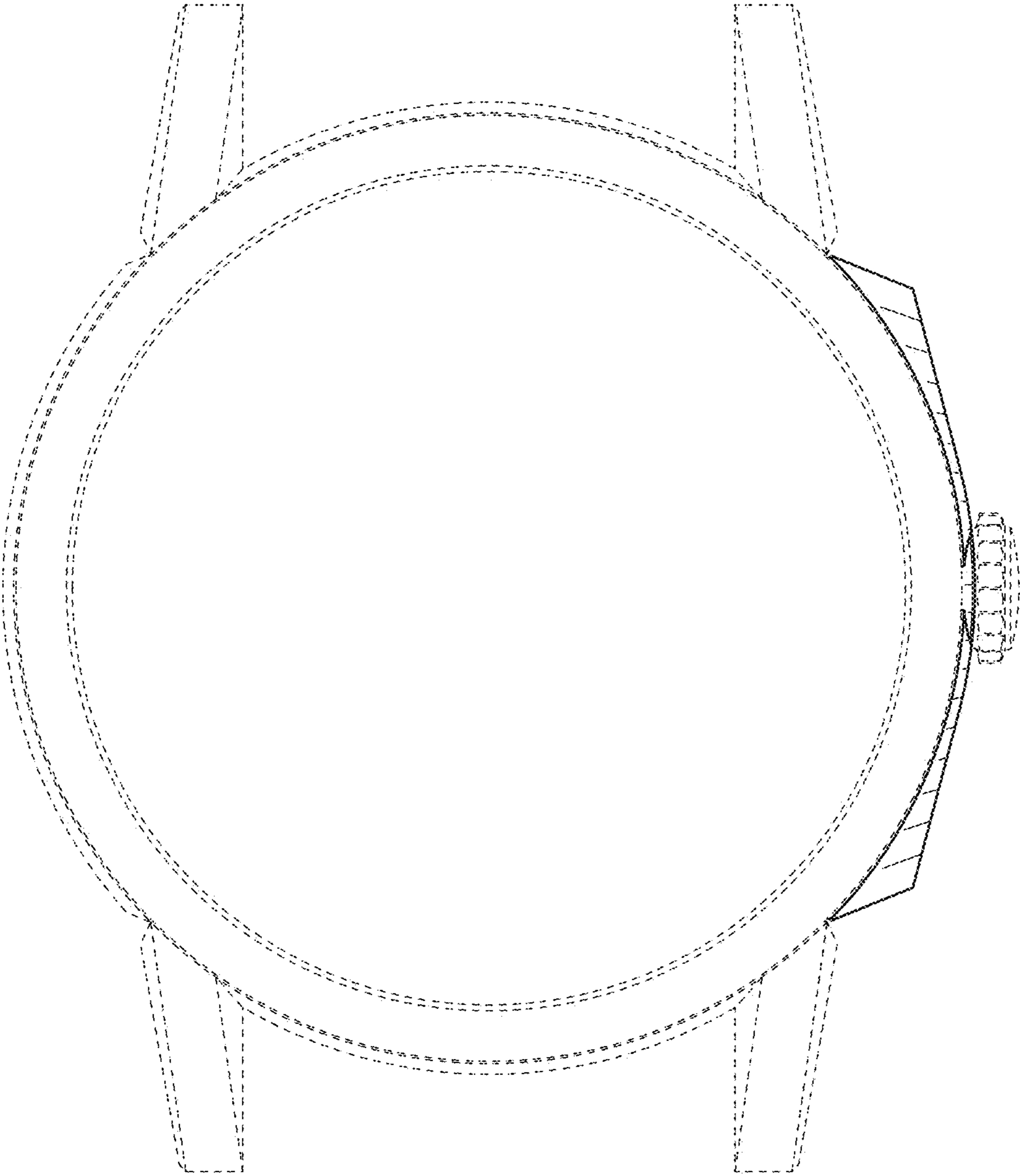


Fig. 1

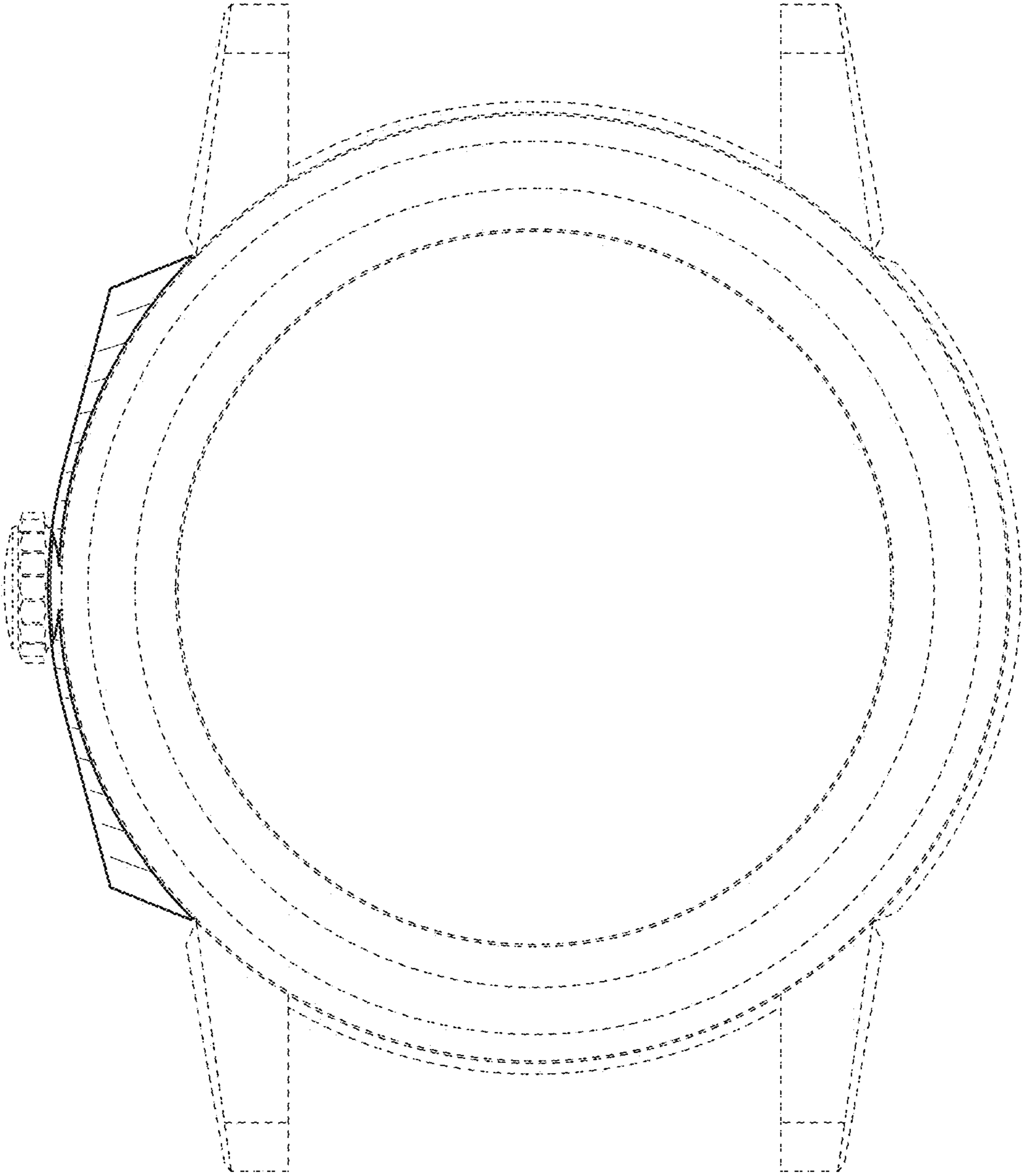


Fig. 2

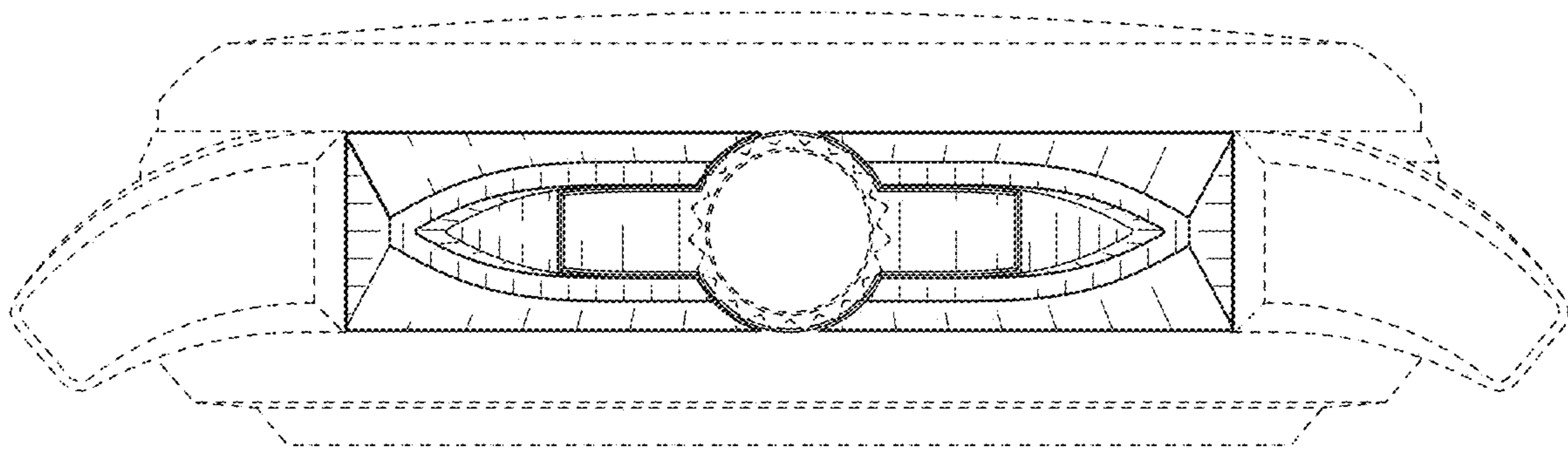


Fig. 3

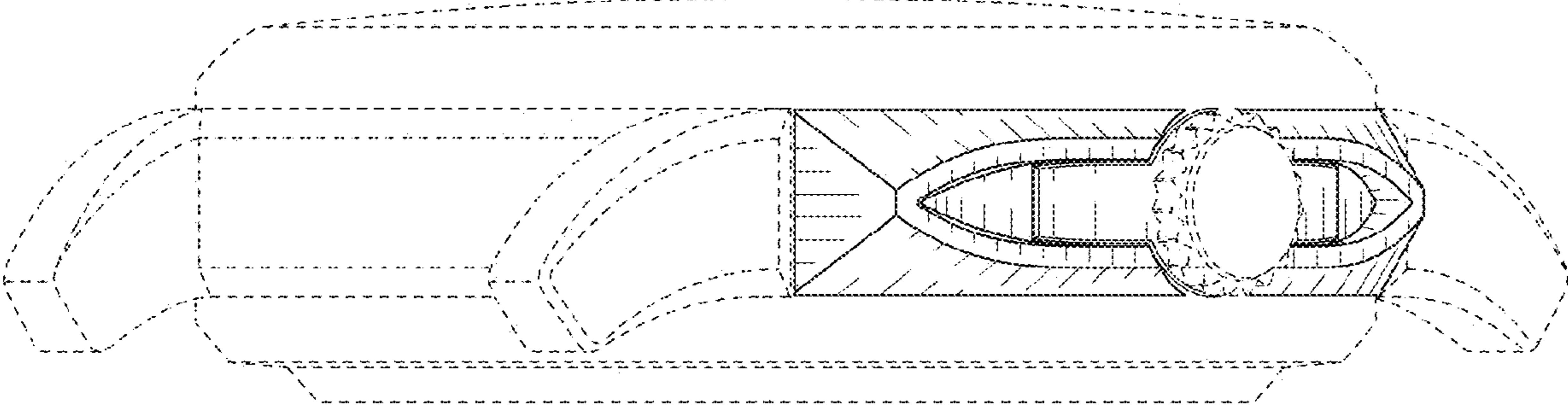


Fig. 4

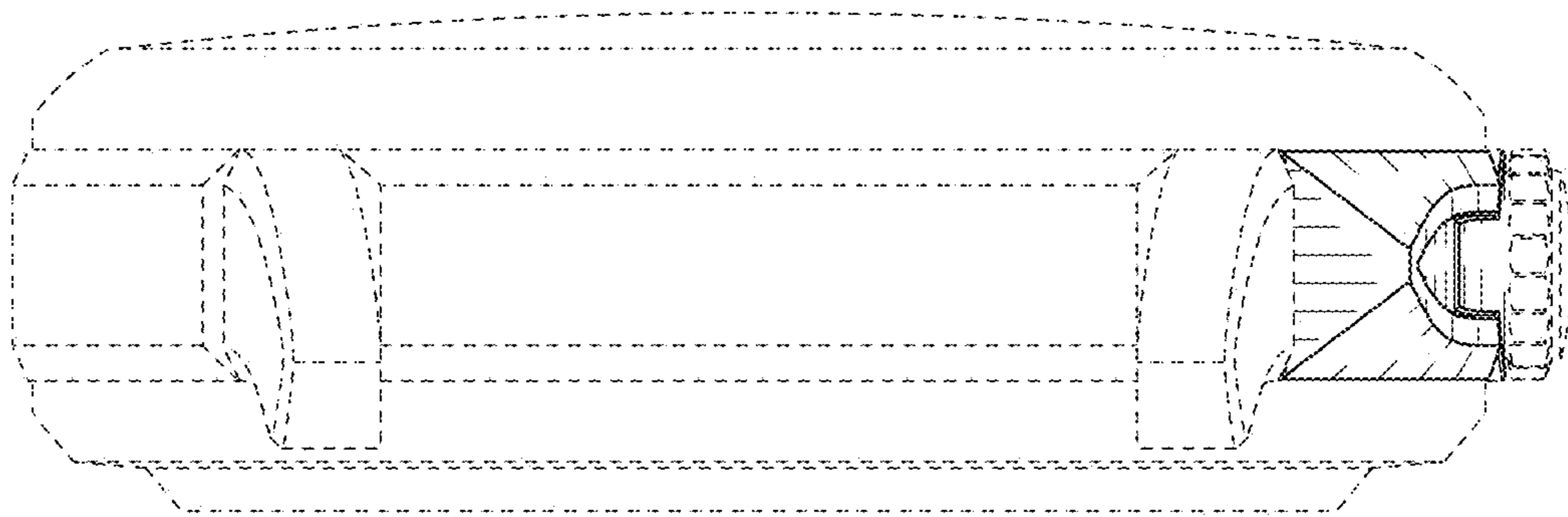


Fig. 5

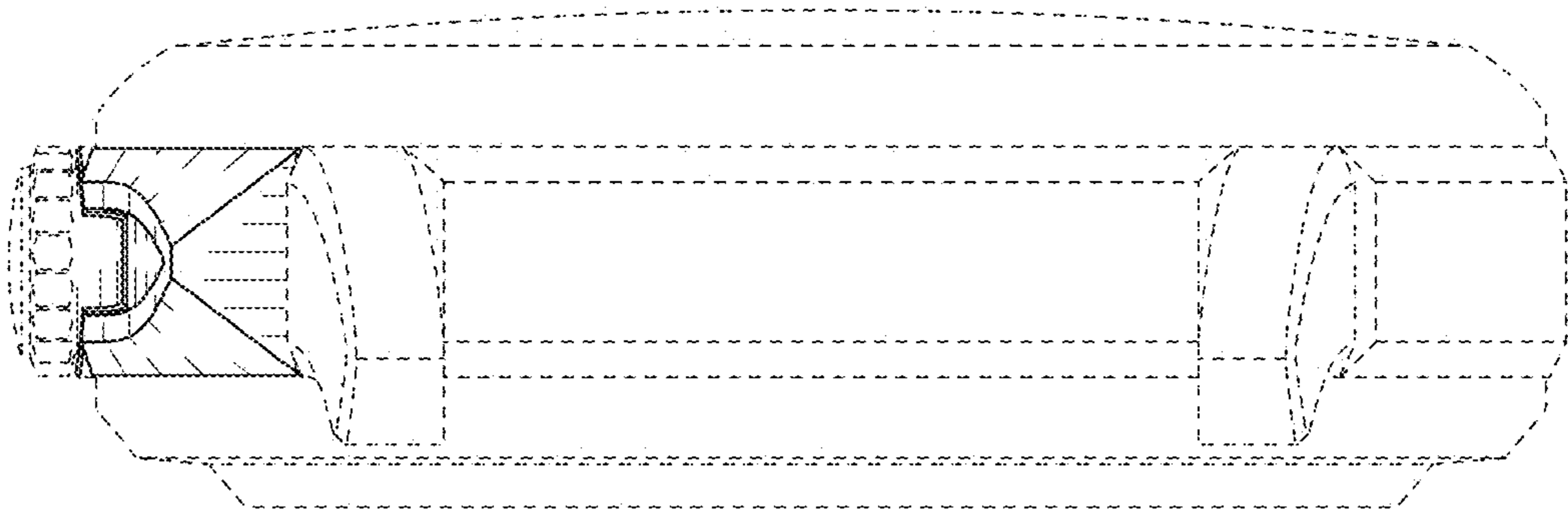


Fig. 6

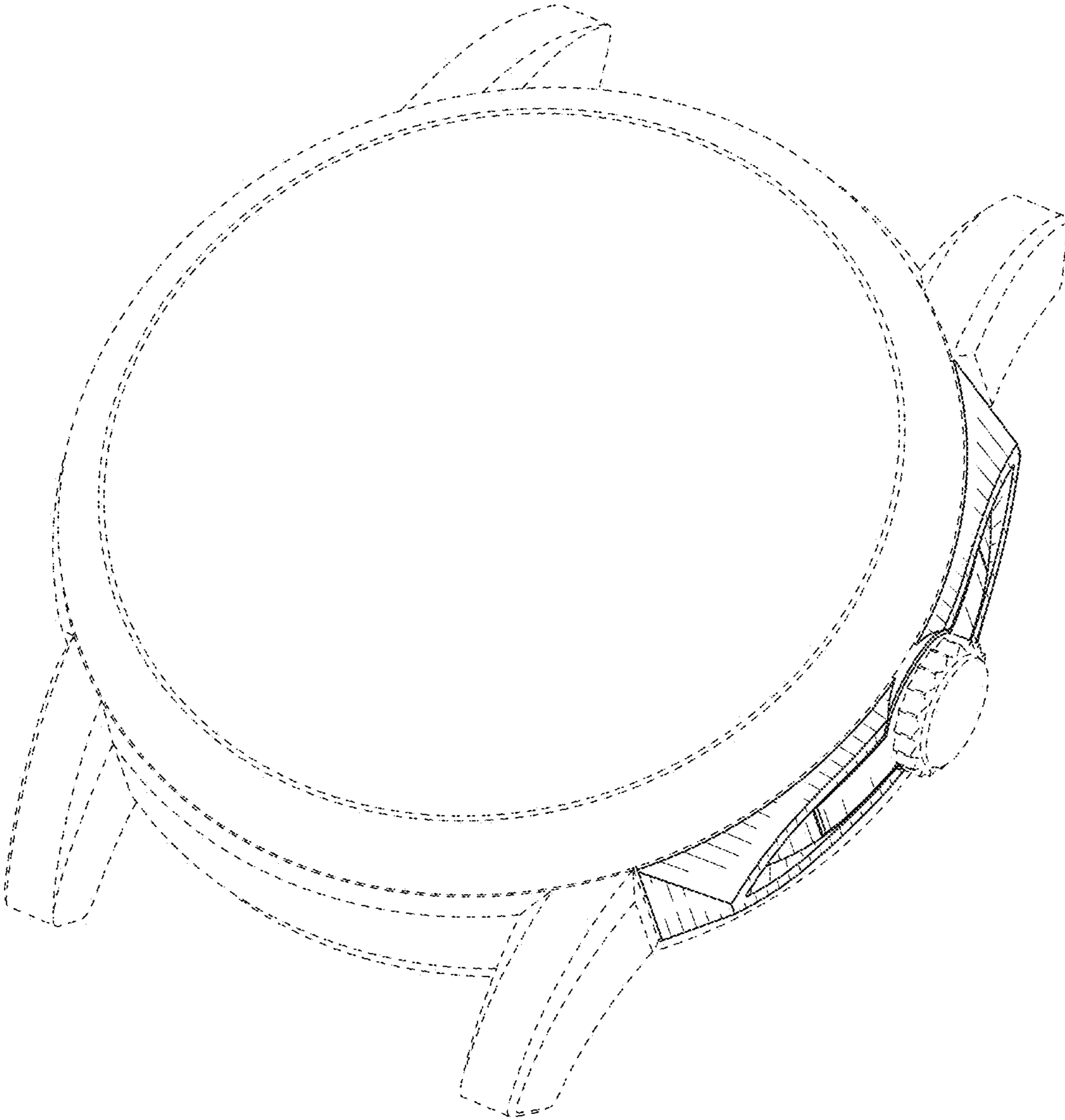


Fig. 7

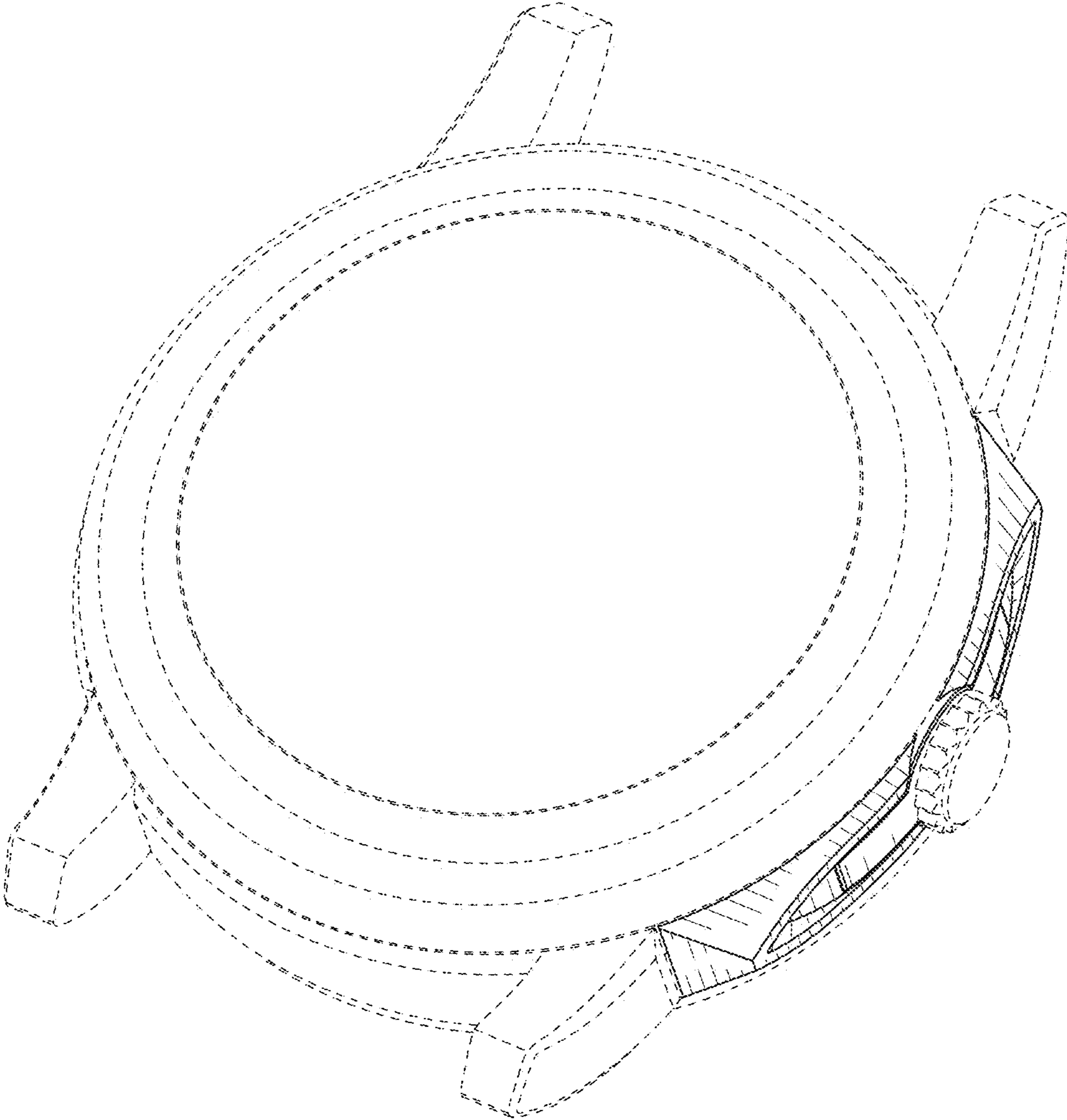


Fig. 8