



US00D883099S

(12) **United States Design Patent** (10) **Patent No.:** **US D883,099 S**  
**Larminaux** (45) **Date of Patent:** **\*\* May 5, 2020**

(54) **PERFUME BOTTLE**  
(71) Applicant: **LALIQUE BEAUTY SA**, Zurich (CH)  
(72) Inventor: **Marc Larminaux**, Paris (FR)  
(\*\*) Term: **15 Years**  
(21) Appl. No.: **35/505,705**

D468,626 S \* 1/2003 Jødal ..... D9/516  
D528,009 S \* 9/2006 Hack ..... D9/519  
D568,758 S \* 5/2008 Burks ..... D9/519  
D605,526 S \* 12/2009 Dorn ..... D9/551  
D640,933 S \* 7/2011 Gallagher ..... D9/706  
D706,140 S \* 6/2014 DeMarco ..... D9/523  
D763,696 S \* 8/2016 Eisen ..... D9/443  
D820,092 S \* 6/2018 Tatievski ..... D9/528  
D833,104 S \* 11/2018 Bhandula ..... D99/5

\* cited by examiner

(22) Filed: **Jul. 12, 2018**

*Primary Examiner* — Rhea Shields

(80) **Hague Agreement Data**

Int. Filing Date: **Jul. 12, 2018**  
Int. Reg. No.: **DM/102715**  
Int. Reg. Date: **Jul. 12, 2018**  
Int. Reg. Pub. Date: **Sep. 21, 2018**

(57) **CLAIM**

The ornamental design for a perfume bottle, as shown and described.

(51) **LOC (12) Cl.** ..... **09-01**

(52) **U.S. Cl.**  
USPC ..... **D9/600**

**DESCRIPTION**

(58) **Field of Classification Search**  
USPC ..... D9/600, 528, 443, 523, 551, 516, 519,  
D9/706, 520, 572, 439; D99/5; D19/90  
CPC ..... A61L 9/12  
See application file for complete search history.

The patent or application file contains at least one drawing executed in color. Copies of this patent or patent application publication with color drawing(s) will be provided by the Office upon request and payment of the necessary fee.

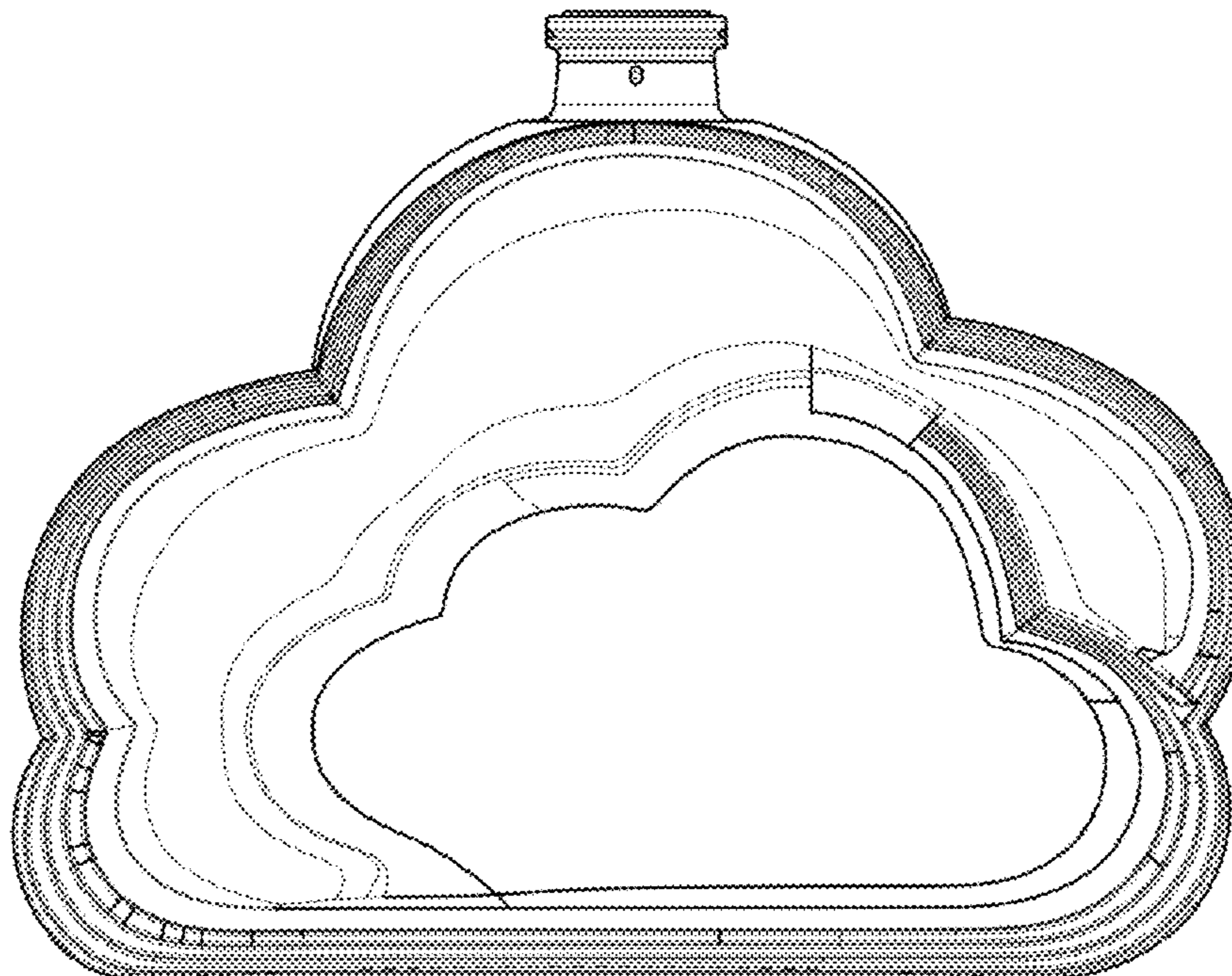
(56) **References Cited**

**U.S. PATENT DOCUMENTS**

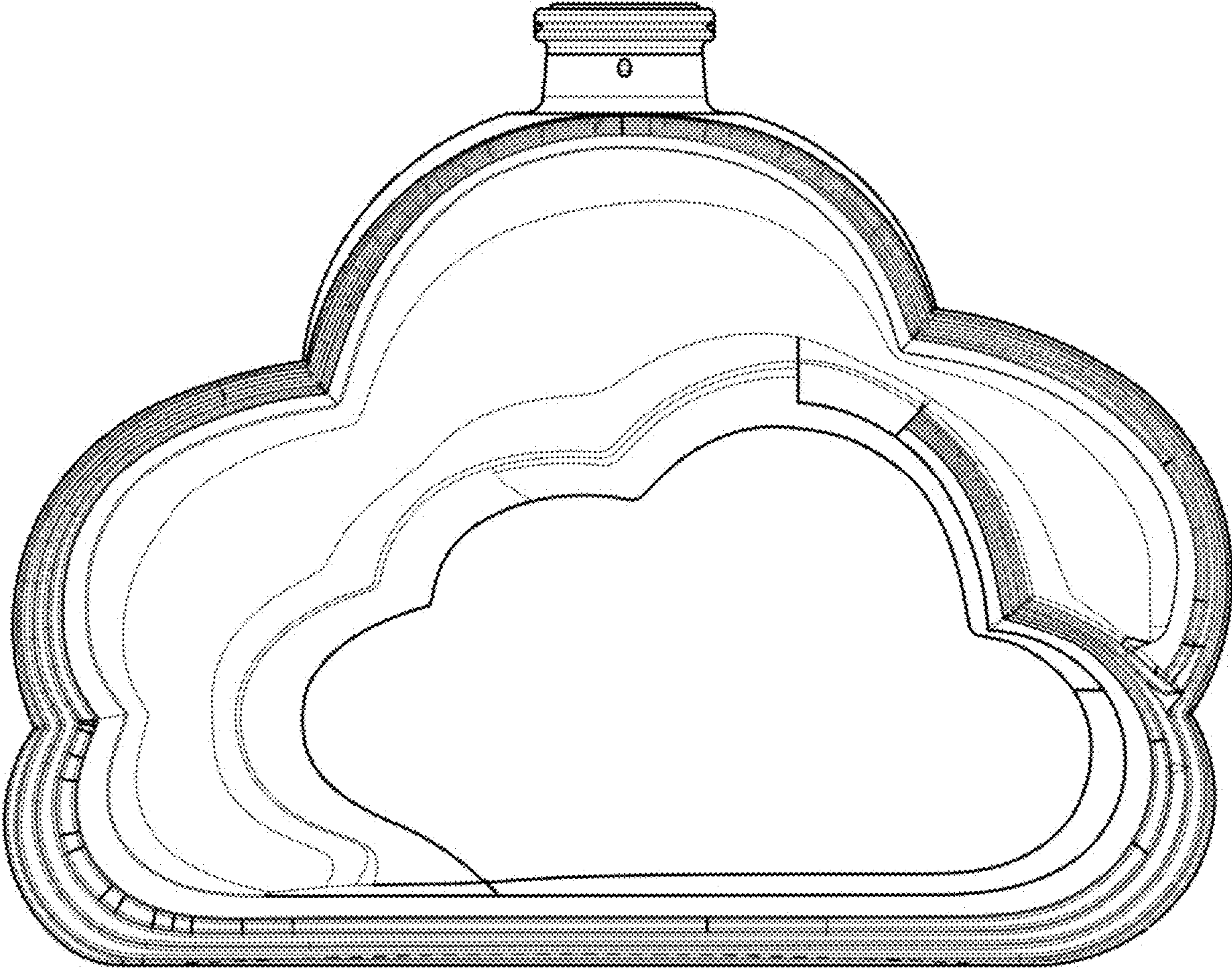
D285,053 S \* 8/1986 Marchetti ..... D9/439  
D303,213 S \* 9/1989 Mansau ..... D9/572  
D328,027 S \* 7/1992 Boucheron ..... D9/529  
D332,572 S \* 1/1993 Dinand ..... D9/520  
5,265,749 A \* 11/1993 Zutler ..... A61L 9/12  
220/360  
D383,068 S \* 9/1997 Dinand ..... D9/516  
D463,283 S \* 9/2002 Haynes ..... D9/516

**1.1** is a front view;  
**1.2** is a top view;  
**1.3** is a bottom view;  
**1.4** is a side view;  
**1.5** is a front enlarged view; and  
**1.6** is a top perspective view.  
In the reproductions, the broken lines are for the purpose of illustrating environment only and form no part of the claimed design.

**1 Claim, 6 Drawing Sheets**  
**(1 of 6 Drawing Sheet(s) Filed in Color)**

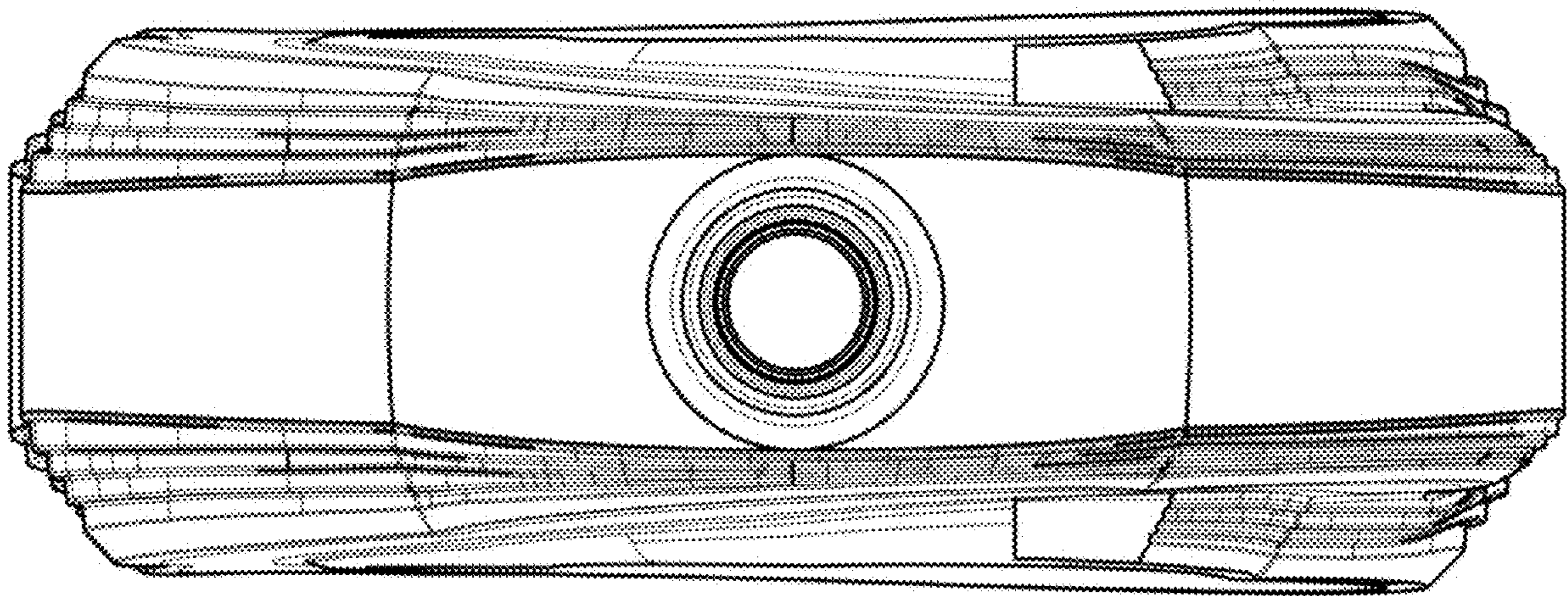


1.1

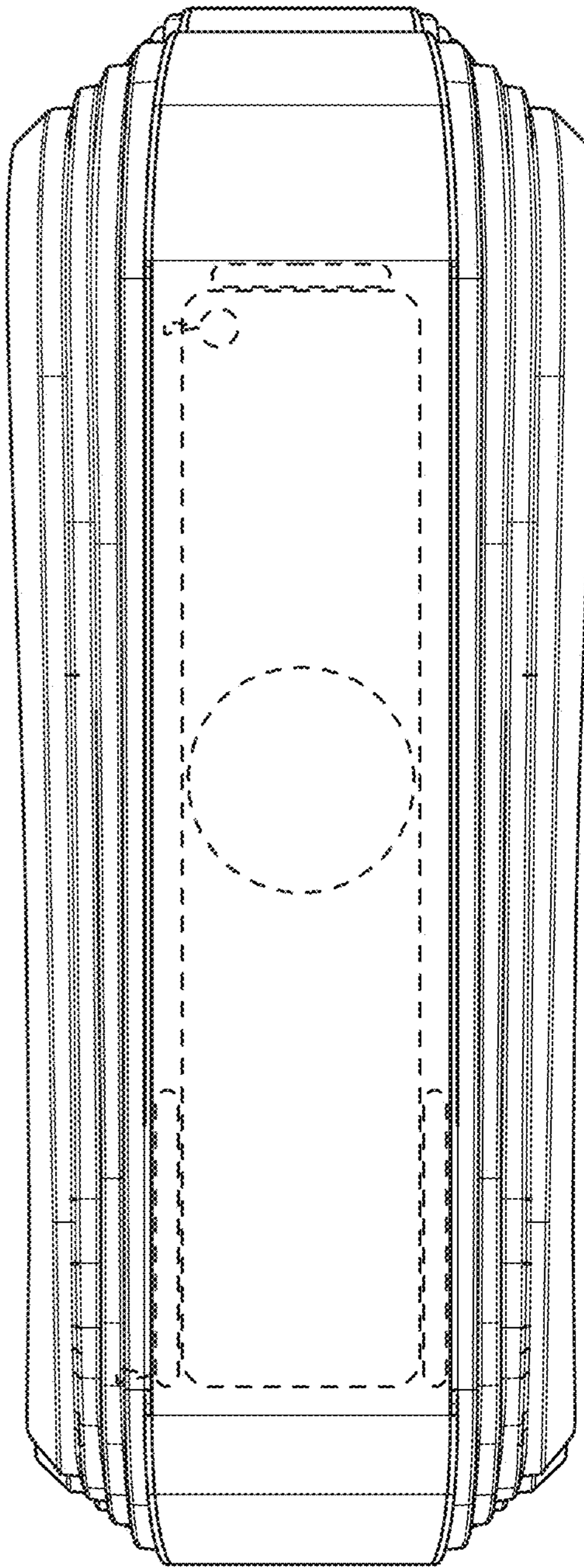




1.2

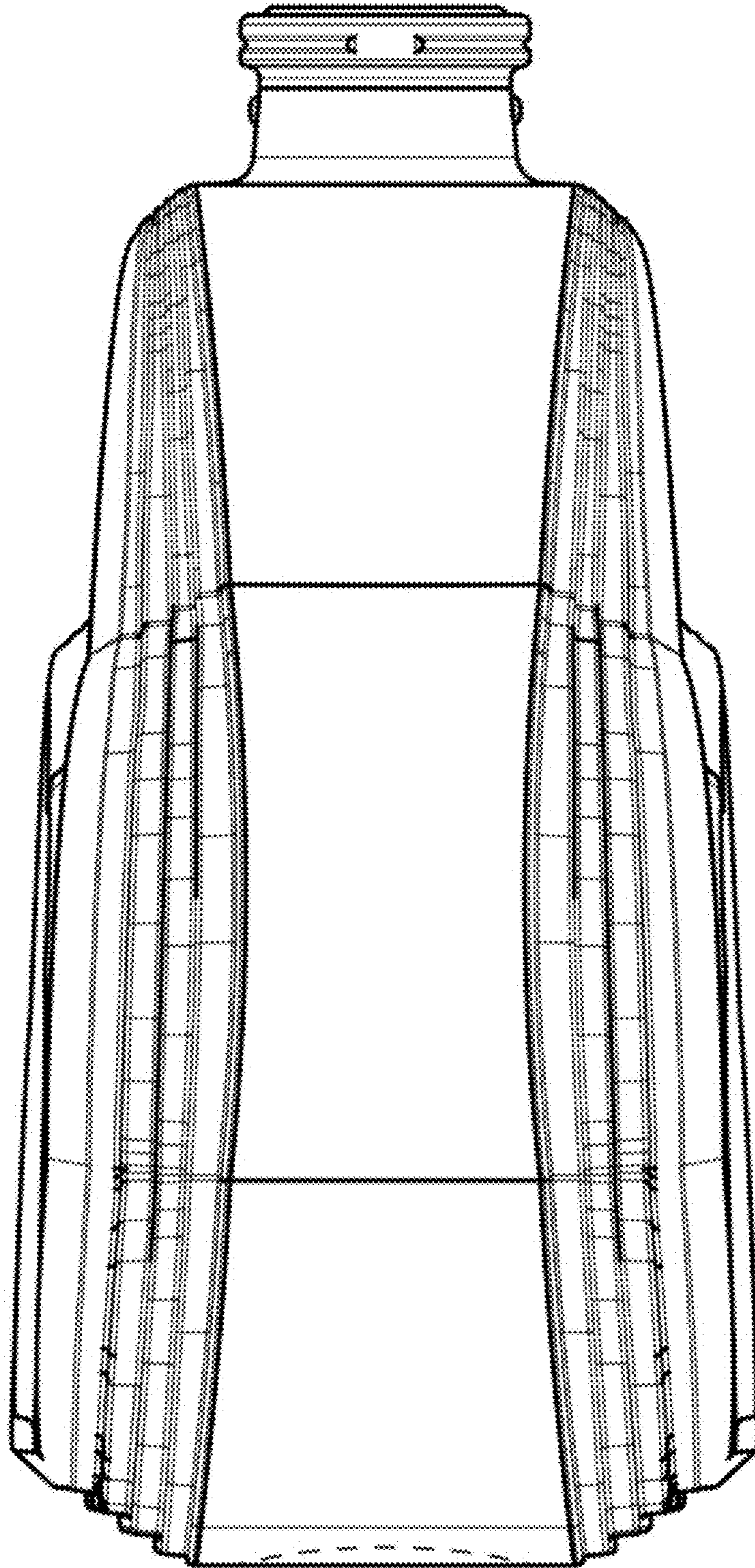


1.3

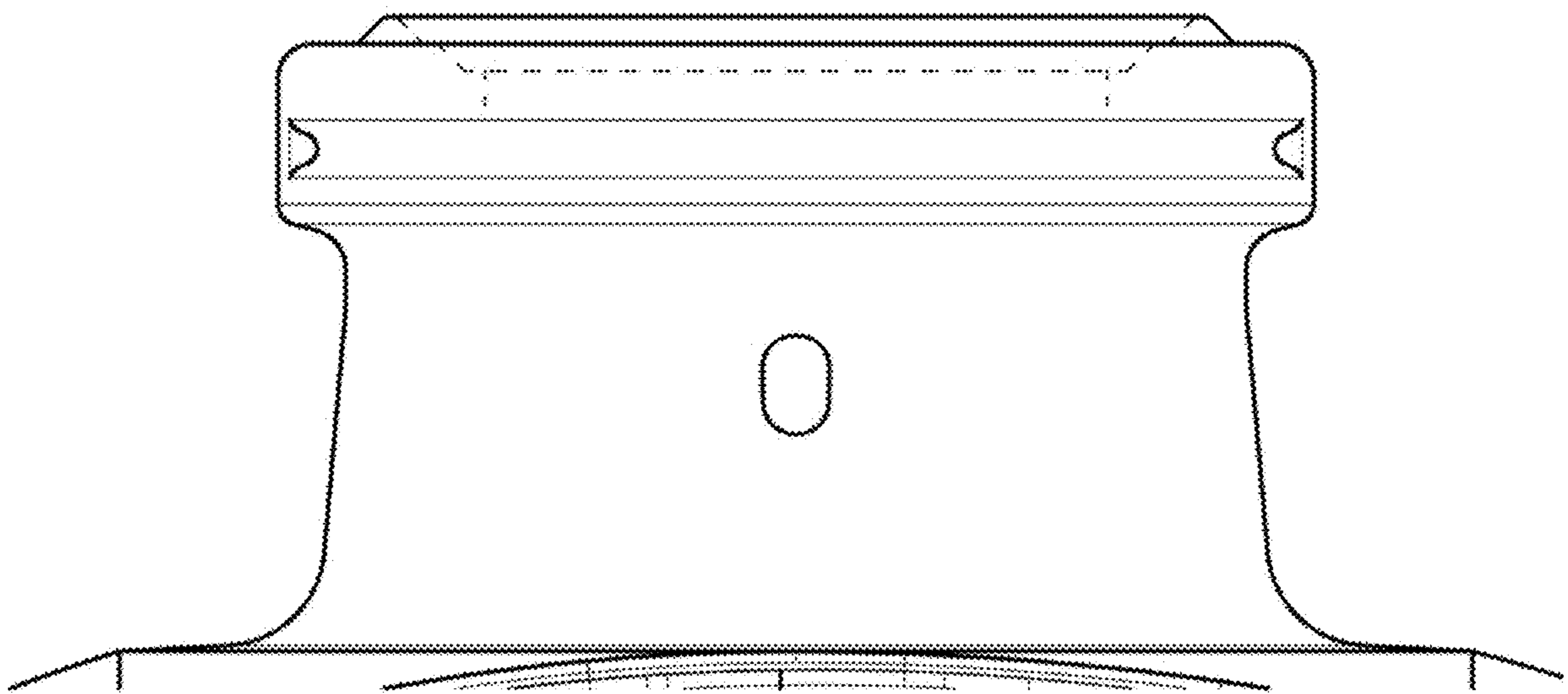




1.4



1.5





1.6

