



US00D883094S

(12) **United States Design Patent** (10) **Patent No.:** **US D883,094 S**  
**James** (45) **Date of Patent:** **\*\* May 5, 2020**

(54) **CONTAINER**  
(71) Applicant: **TerrAscend Corp.**, Mississauga (CA)  
(72) Inventor: **Timothy James**, New York, NY (US)  
(73) Assignee: **TerrAscend, Corp.** (CA)  
(\*\*) Term: **15 Years**  
(21) Appl. No.: **29/678,647**

D421,906 S \* 3/2000 Jauffret ..... D9/435  
D426,774 S \* 6/2000 Jauffret ..... D9/520  
D432,418 S 10/2000 Saulas  
D439,840 S 4/2001 Saulas  
(Continued)

(22) Filed: **Jan. 30, 2019**  
(30) **Foreign Application Priority Data**

**FOREIGN PATENT DOCUMENTS**

CA 55028 9/1985  
CA 123486 7/2009  
(Continued)

Aug. 2, 2018 (CA) ..... 182831  
(51) **LOC (12) Cl.** ..... **09-01**  
(52) **U.S. Cl.**  
USPC ..... **D9/529**; D9/435; D9/560  
(58) **Field of Classification Search**  
USPC ..... D9/414, 424, 430, 432, 434-435,  
D9/444-445, 516, 529, 559-560, 574,  
D9/682, 686-687, 715, 719; D3/203.2;  
D7/635; D27/173, 186, 189-191;  
D28/77, 85-86  
CPC ..... B65D 1/00; B65D 1/02; B65D 1/0223;  
B65D 23/00; B65D 51/32; B65D  
2501/00; B65D 2501/0009; B65D  
2501/0081  
See application file for complete search history.

*Primary Examiner* — Dana Meyrow  
(74) *Attorney, Agent, or Firm* — Fox Rothschild LLP

(57) **CLAIM**

I claim the ornament design for a container, as illustrated in FIGS. 1 through 9.

**DESCRIPTION**

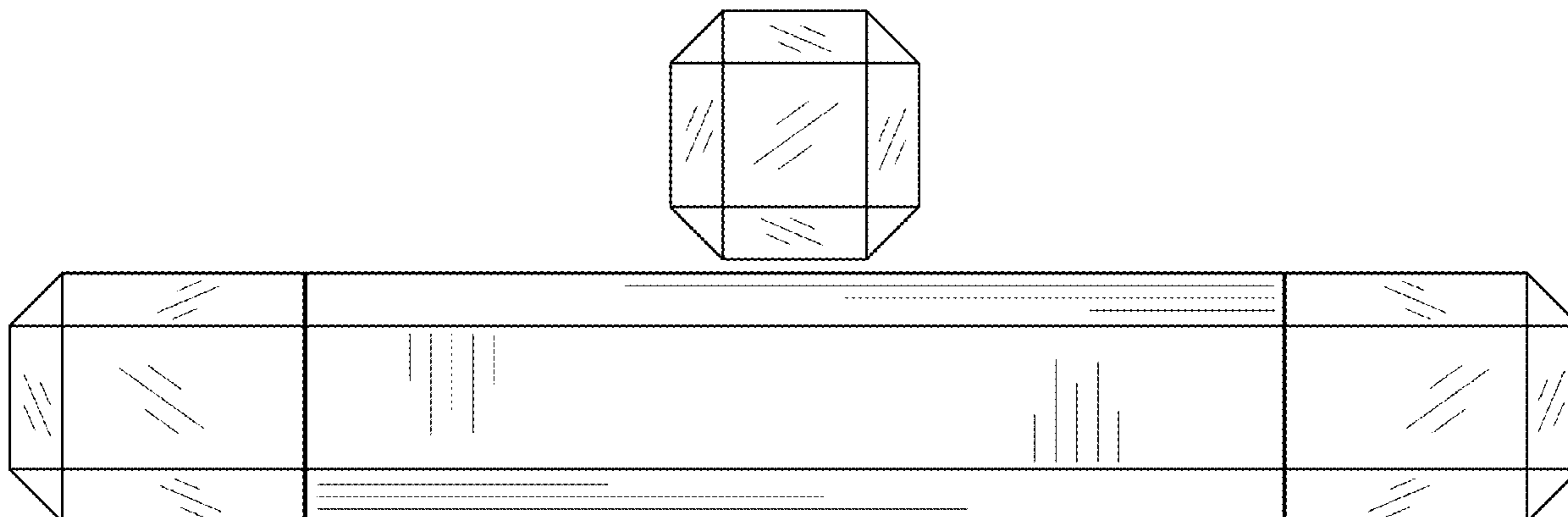
FIG. 1 is a perspective view of the container, in a closed configuration.  
FIG. 2 is a left view of the container of FIG. 1, in a closed configuration.  
FIG. 3 is a right view of the container of FIG. 1, in a closed configuration.  
FIG. 4 is a front view of the container of FIG. 1, in a closed configuration.  
FIG. 5 is a rear view of the container of FIG. 1, in a closed configuration.  
FIG. 6 is a top view of the container of FIG. 1, in a closed configuration.  
FIG. 7 is a bottom view of the container of FIG. 1, in a closed configuration.  
FIG. 8 is a perspective view of the container of FIG. 1, in an open configuration; and,  
FIG. 9 is a perspective view of the container of FIG. 1, in an open configuration, shown in an environment in which it may be used.  
The broken lines in the drawings illustrate the portions of the container that form no part of the claimed design.

(56) **References Cited**

**U.S. PATENT DOCUMENTS**

D214,877 S \* 8/1969 Biallo et al. .... D9/529  
D298,364 S \* 11/1988 Simonetti ..... D28/85  
D334,805 S 4/1993 Ivey  
D339,744 S 9/1993 Seppala  
D379,552 S 5/1997 Vokebe  
D395,004 S 6/1998 Shamoon  
D407,972 S 4/1999 Hilton  
D419,073 S \* 1/2000 Jauffret ..... D9/520

**1 Claim, 5 Drawing Sheets**



(56)

**References Cited**

U.S. PATENT DOCUMENTS

D446,718 S 8/2001 Anderson  
 D465,729 S 11/2002 Nishimura  
 D478,280 S 8/2003 Miller et al.  
 D478,282 S 8/2003 Hayes et al.  
 D479,462 S 9/2003 Chan  
 D484,409 S 12/2003 Haggerty et al.  
 D485,749 S 1/2004 Zaksenberg et al.  
 D498,139 S 11/2004 Haggerty et al.  
 D522,855 S 6/2006 Liebe et al.  
 D535,184 S 1/2007 Tanner  
 D535,185 S 1/2007 Tanner  
 D564,898 S \* 3/2008 McGuinness ..... D9/560  
 D595,125 S 6/2009 Doyle  
 D617,184 S 6/2010 Sneva  
 D620,369 S 7/2010 Servaire et al.  
 D628,062 S 11/2010 Snedden et al.  
 D628,474 S 12/2010 Snedden et al.  
 D628,884 S 12/2010 Smith  
 D633,805 S 3/2011 Servaire et al.  
 D646,579 S \* 10/2011 Rahe ..... D9/560  
 D655,612 S \* 3/2012 Oge-Nichols ..... D9/451

D726,967 S \* 4/2015 Komai ..... D28/87  
 D746,143 S \* 12/2015 Yamamoto ..... D9/529  
 D804,301 S 12/2017 Aono et al.  
 D808,280 S \* 1/2018 Nagata ..... D9/560  
 D844,247 S \* 3/2019 Zhou ..... D28/85  
 D853,035 S \* 7/2019 Moretti ..... D28/76

FOREIGN PATENT DOCUMENTS

CA	127039	7/2009
CA	140438	11/2011
CA	144447	2/2013
CA	149622	2/2013
CA	149623	2/2013
CA	149624	2/2013
CA	149625	2/2013
CA	147450	2/2014
CA	152800	2/2014
CA	152801	2/2014
CA	165513	7/2016
CA	172359	2/2018
CA	179014	2/2018

\* cited by examiner

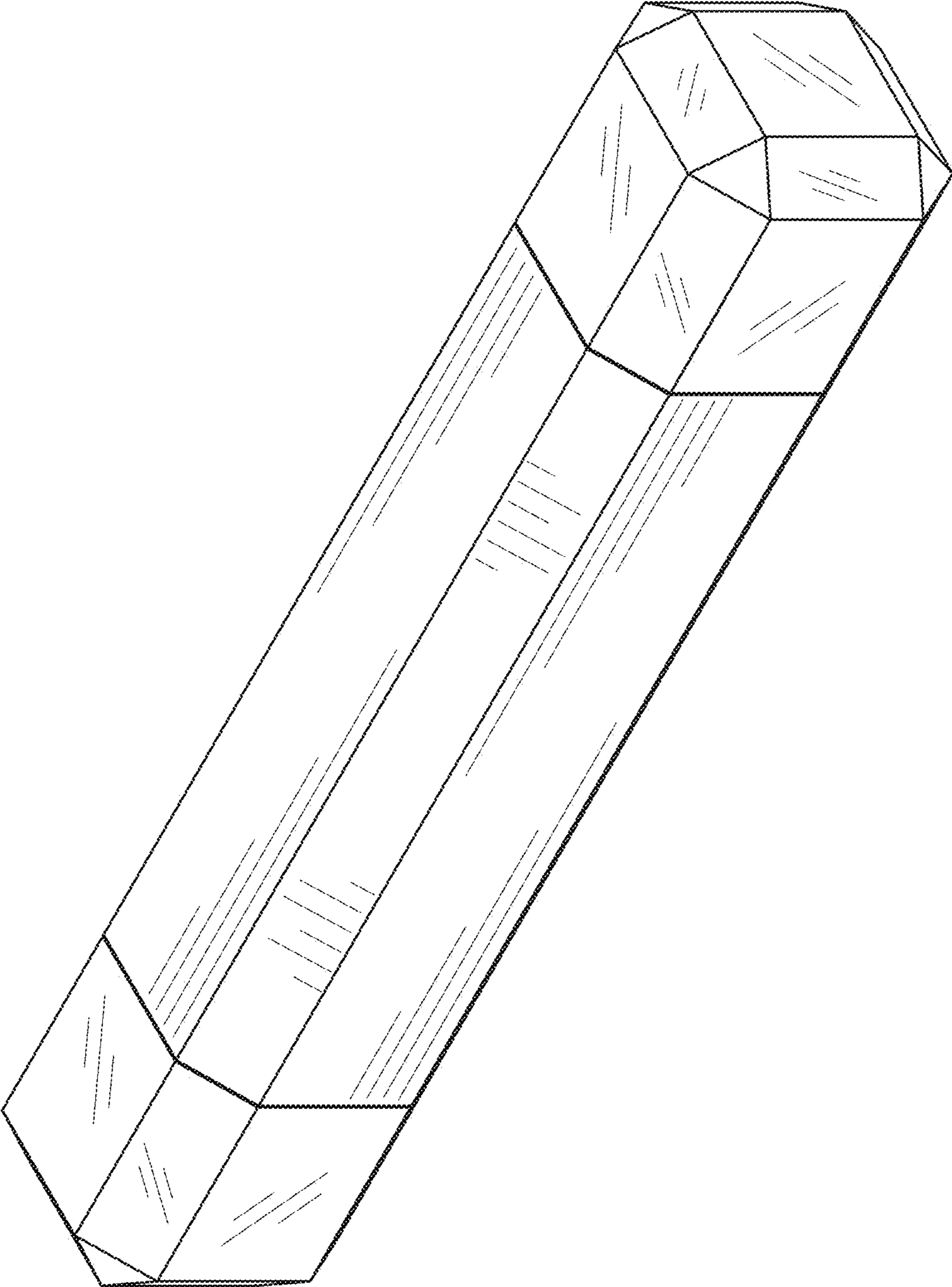


FIG. 1

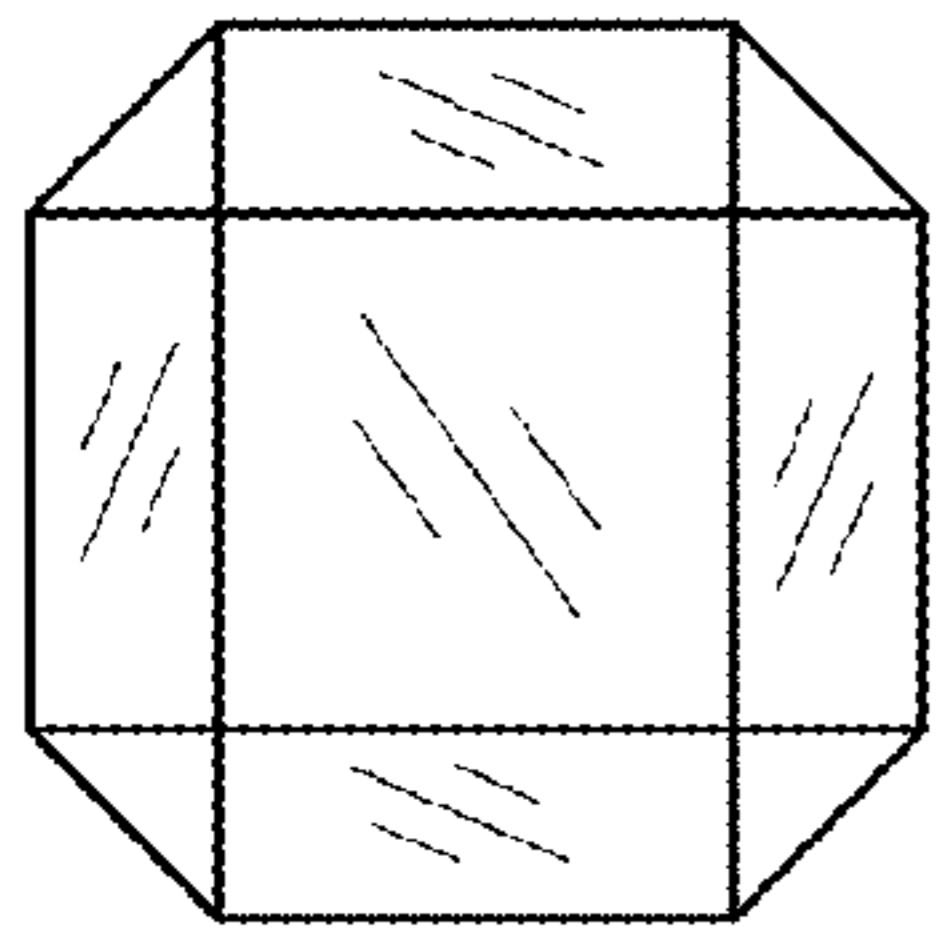


FIG. 2

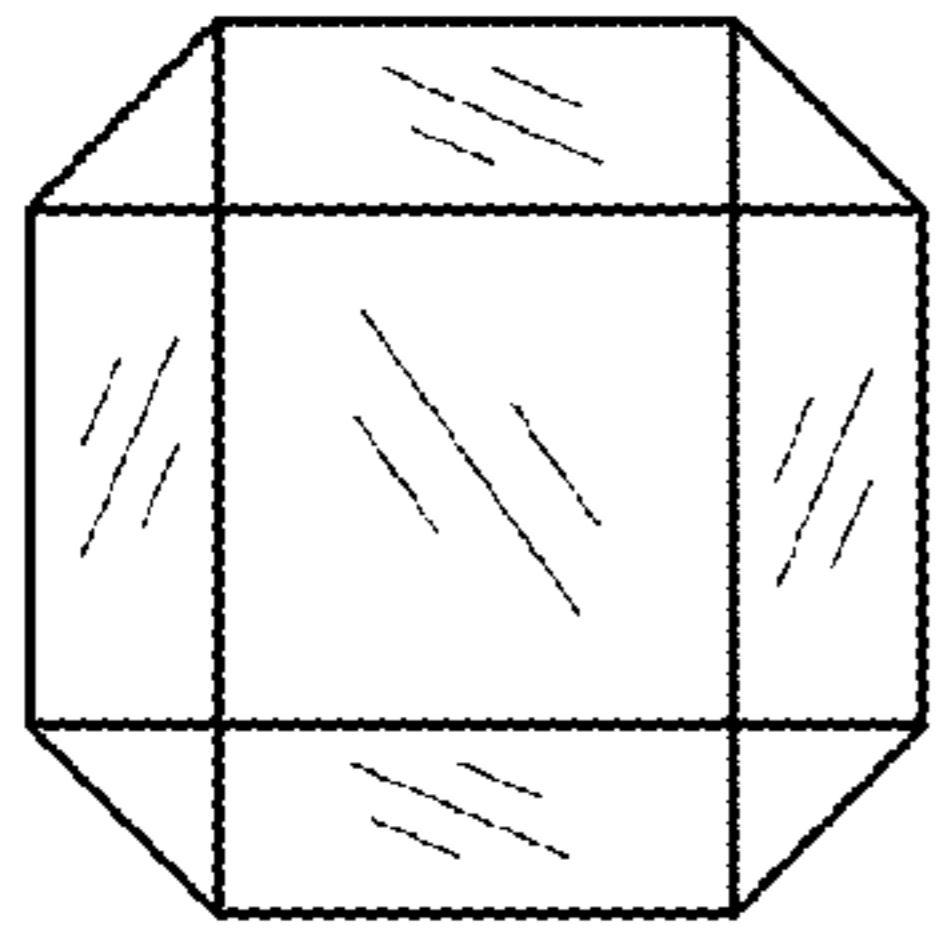


FIG. 3

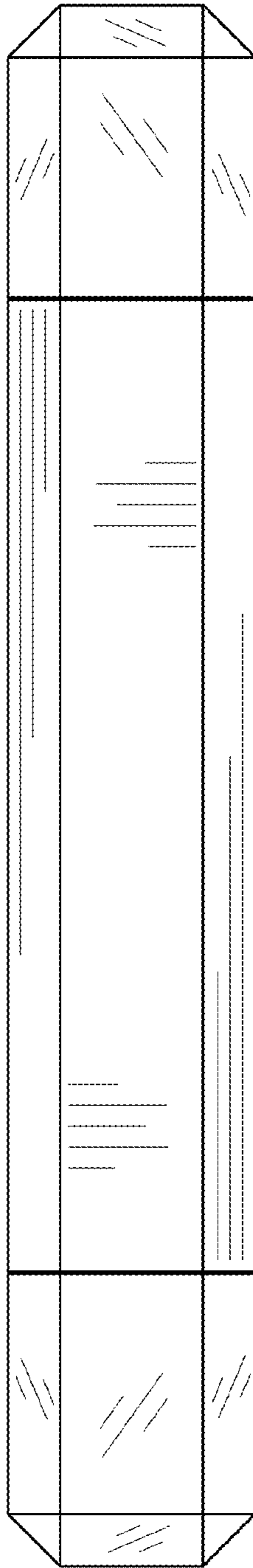


FIG. 4

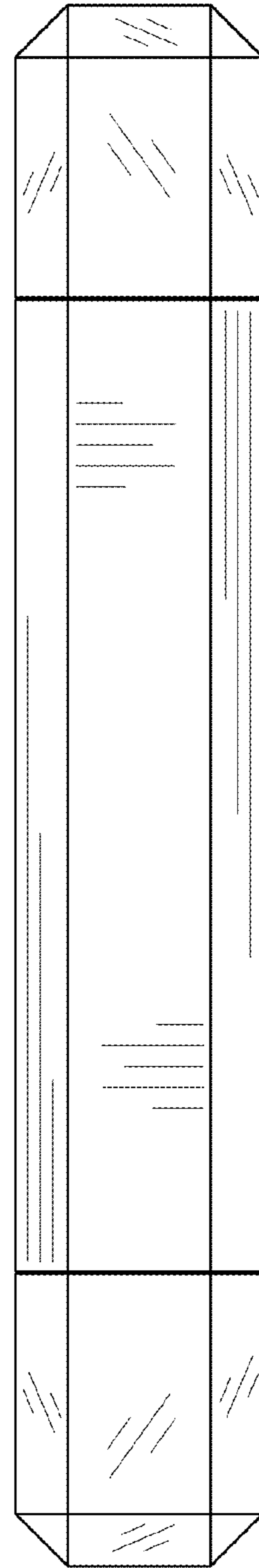


FIG. 5



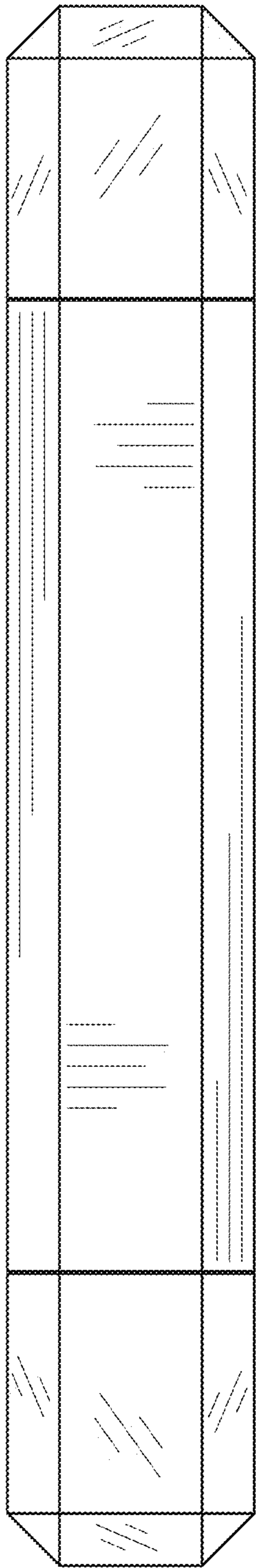


FIG. 6

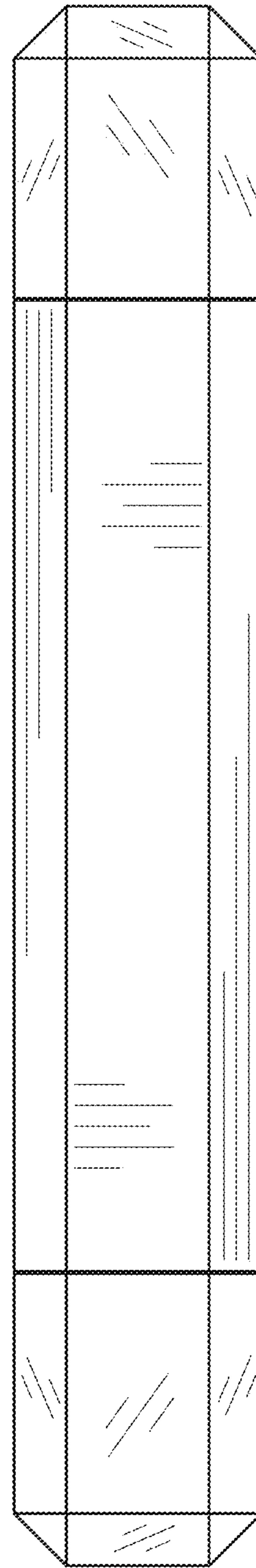


FIG. 7

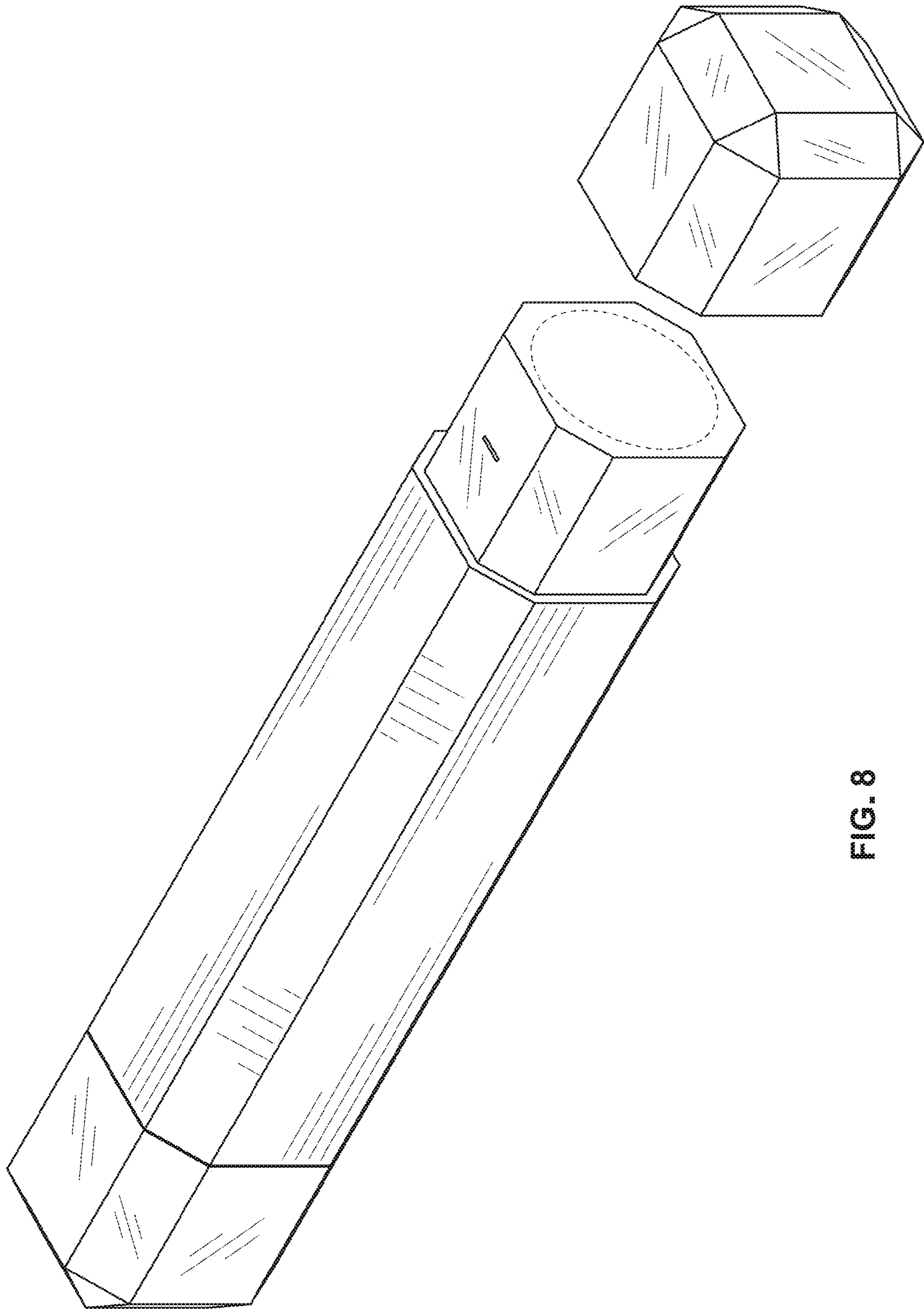


FIG. 8

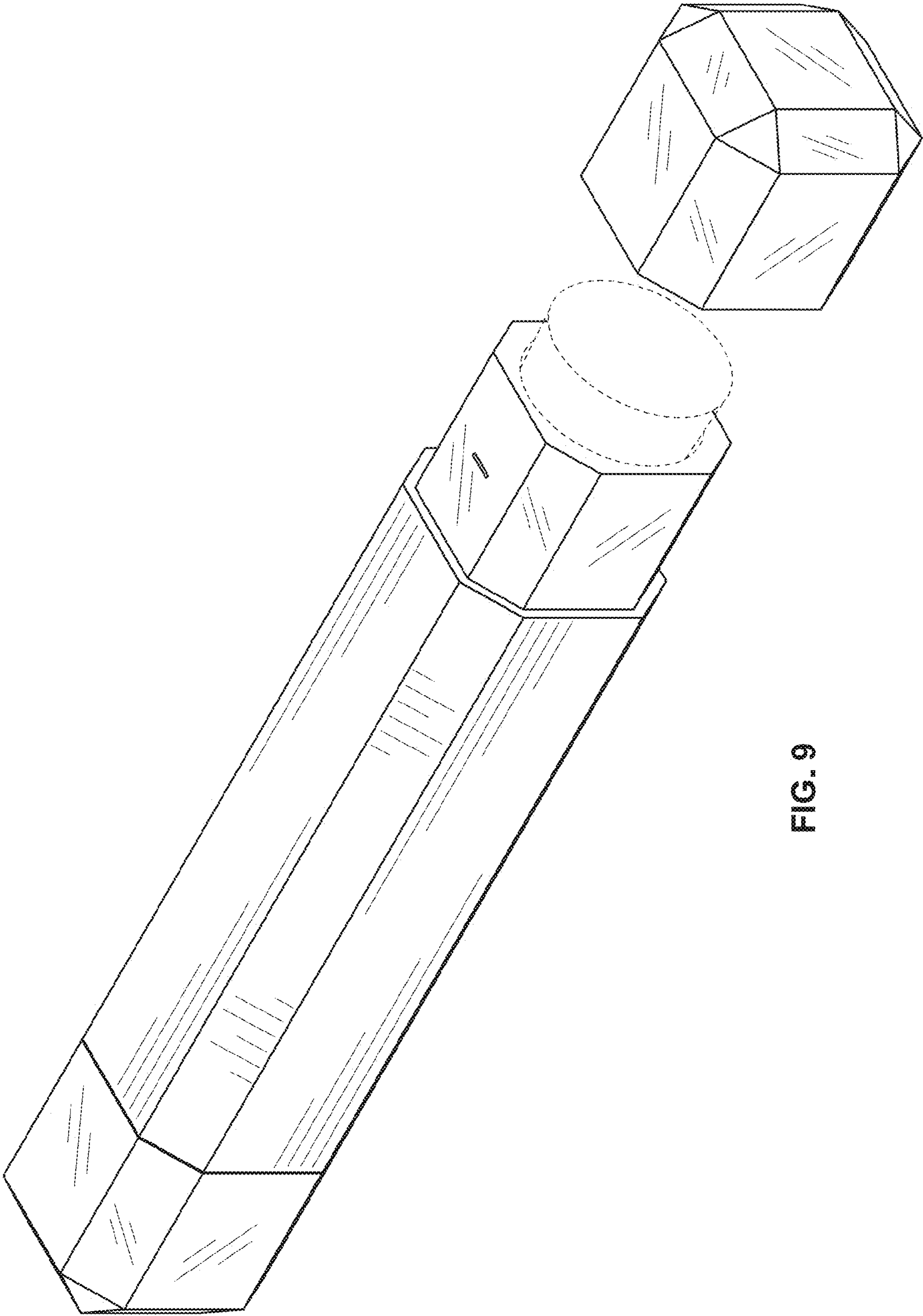


FIG. 9