



US00D883092S

(12) **United States Design Patent** (10) **Patent No.:** **US D883,092 S**
Travis (45) **Date of Patent:** **** May 5, 2020**

- (54) **DRINKING BOTTLE**
- (71) Applicant: **Emergent Trends, Inc.**, Brooklyn, NY (US)
- (72) Inventor: **Kiley Travis**, Brooklyn, NY (US)
- (73) Assignee: **Emergent Trends, Inc.**, Brooklyn, NY (US)
- (**) Term: **15 Years**
- (21) Appl. No.: **29/709,978**
- (22) Filed: **Oct. 18, 2019**
- (51) **LOC (12) Cl.** **09-01**
- (52) **U.S. Cl.**
USPC **D9/504**; D9/454; D7/511
- (58) **Field of Classification Search**
USPC D9/434-435, 454, 500, 502-505, 516, D9/530, 537, 539, 545, 549, 558, 715, D9/719; D7/509-511, 523, 608
CPC B65D 1/00; B65D 1/02; B65D 1/0223; B65D 23/00; B65D 81/00; B65D 2501/00; B65D 2501/0009
See application file for complete search history.

(56) **References Cited**

U.S. PATENT DOCUMENTS

- 1,494,559 A * 5/1924 Mas B65D 39/06
215/266
- 1,720,888 A * 7/1929 Edelmuth B65D 1/48
215/42
- D81,520 S * 7/1930 Bromiley D9/500
- D86,037 S * 1/1932 Lloyd D9/500
- D109,518 S * 5/1938 Meier D9/545
- 3,253,729 A * 5/1966 Virany B65D 55/06
215/278
- 3,859,117 A * 1/1975 Erchak C03C 17/32
215/12.2
- D646,932 S * 10/2011 Melms, Jr. D7/598

- D695,614 S * 12/2013 Crowe D9/500
- D704,557 S * 5/2014 Hamill D9/500
- D745,398 S * 12/2015 Cotton D9/500
- D762,476 S * 8/2016 Velmer D9/445
- D778,675 S * 2/2017 Shi D7/507
- D796,331 S * 9/2017 Eyal D9/500
- D799,900 S * 10/2017 Santos D7/510
- 9,821,926 B2 * 11/2017 Robinson B21D 51/38
- D809,390 S * 2/2018 Hines D9/500
- D811,818 S * 3/2018 Wu D7/510
- D811,889 S * 3/2018 Cheng D9/540
- D812,478 S * 3/2018 Hines D9/500
- D814,241 S * 4/2018 Nickley D7/510
- D826,052 S * 8/2018 Harris D9/500
- D826,061 S * 8/2018 Snell D9/500
- D830,773 S * 10/2018 Jacobsen D7/511
- D830,774 S * 10/2018 Jacobsen D7/511
- D832,651 S * 11/2018 Wiet D7/511
- D845,074 S * 4/2019 Gluck D7/510

* cited by examiner

Primary Examiner — Dana Meyrow

(74) *Attorney, Agent, or Firm* — Amster, Rothstein & Ebenstein LLP

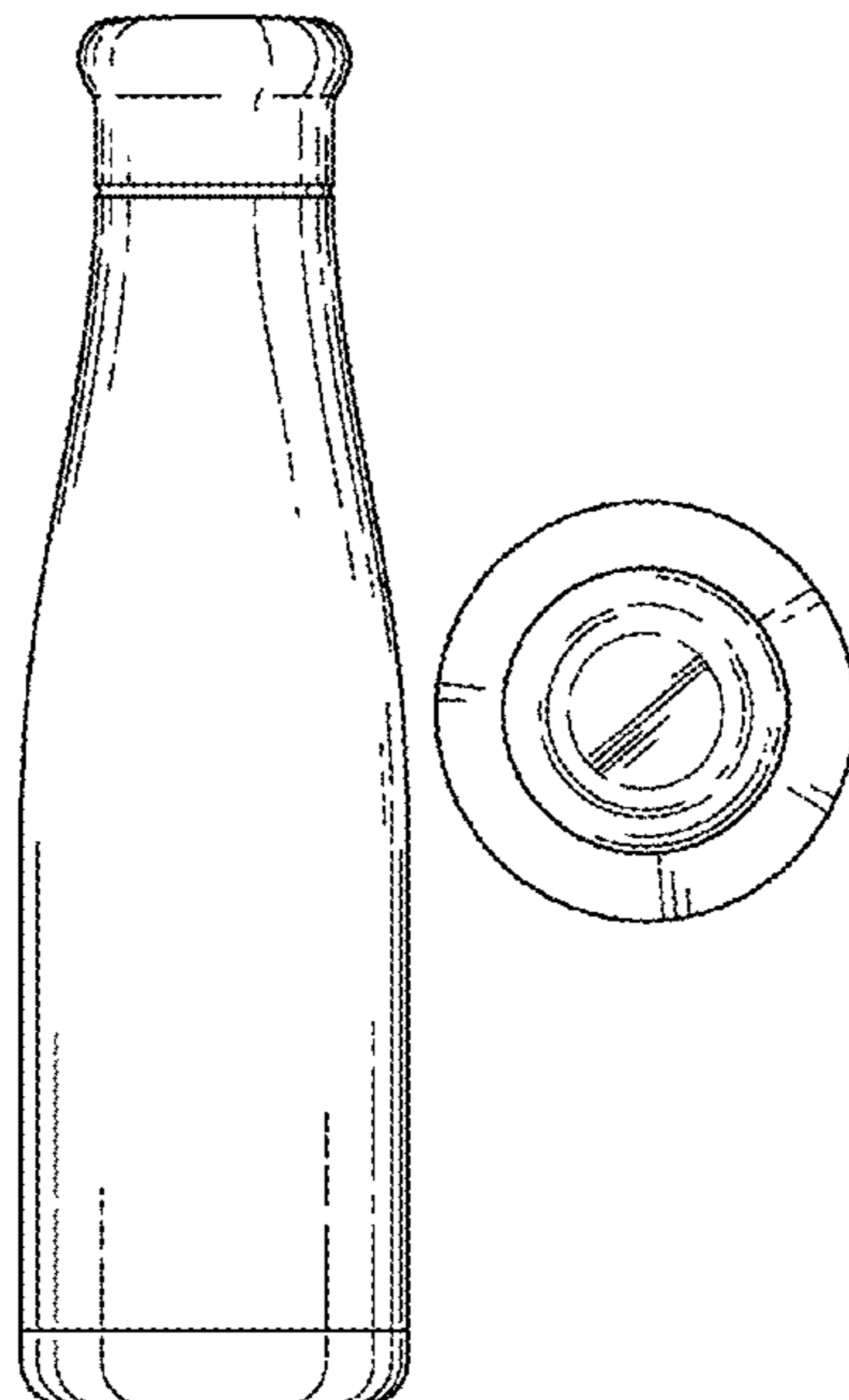
(57) **CLAIM**

The ornamental design for a drinking bottle, as shown and described.

DESCRIPTION

FIG. 1 is a front perspective view illustrating a design of the drinking bottle of the present invention; FIG. 2 is a front elevation view thereof, the rear, left and right sides being identical; FIG. 3 is a top view thereof; and, FIG. 4 is a bottom view thereof. The broken line in FIG. 4 represents the bounds of the claim and forms no part of the claimed design.

1 Claim, 2 Drawing Sheets



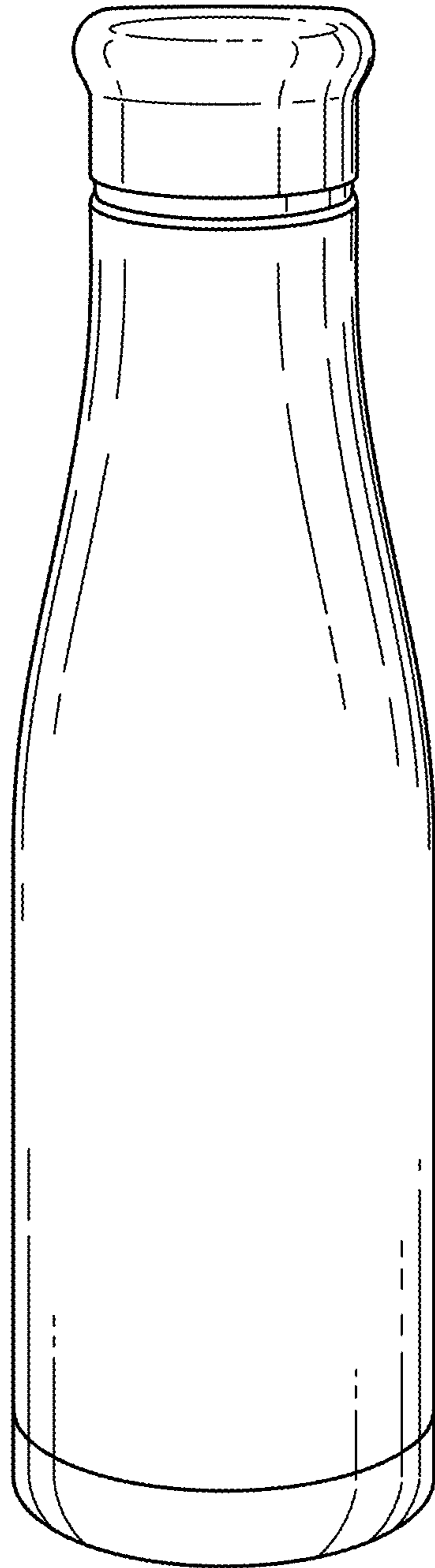


FIG. 1

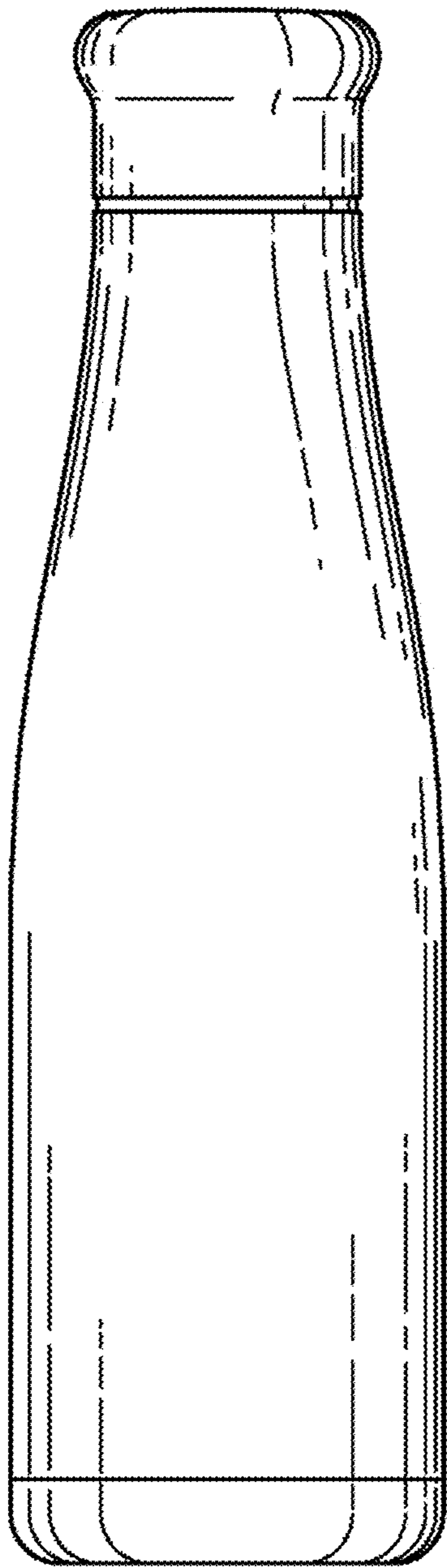


FIG. 2

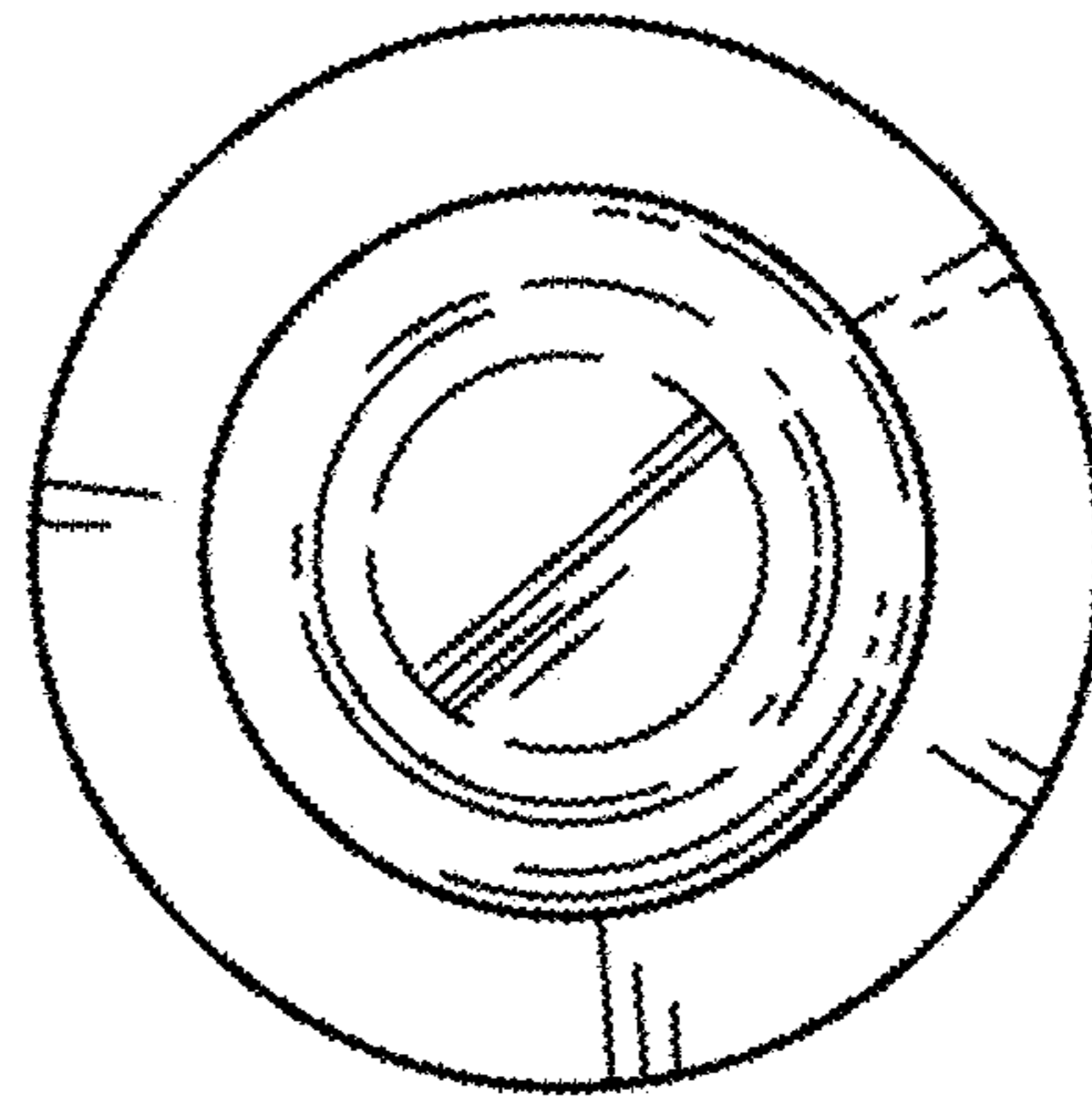


FIG. 3

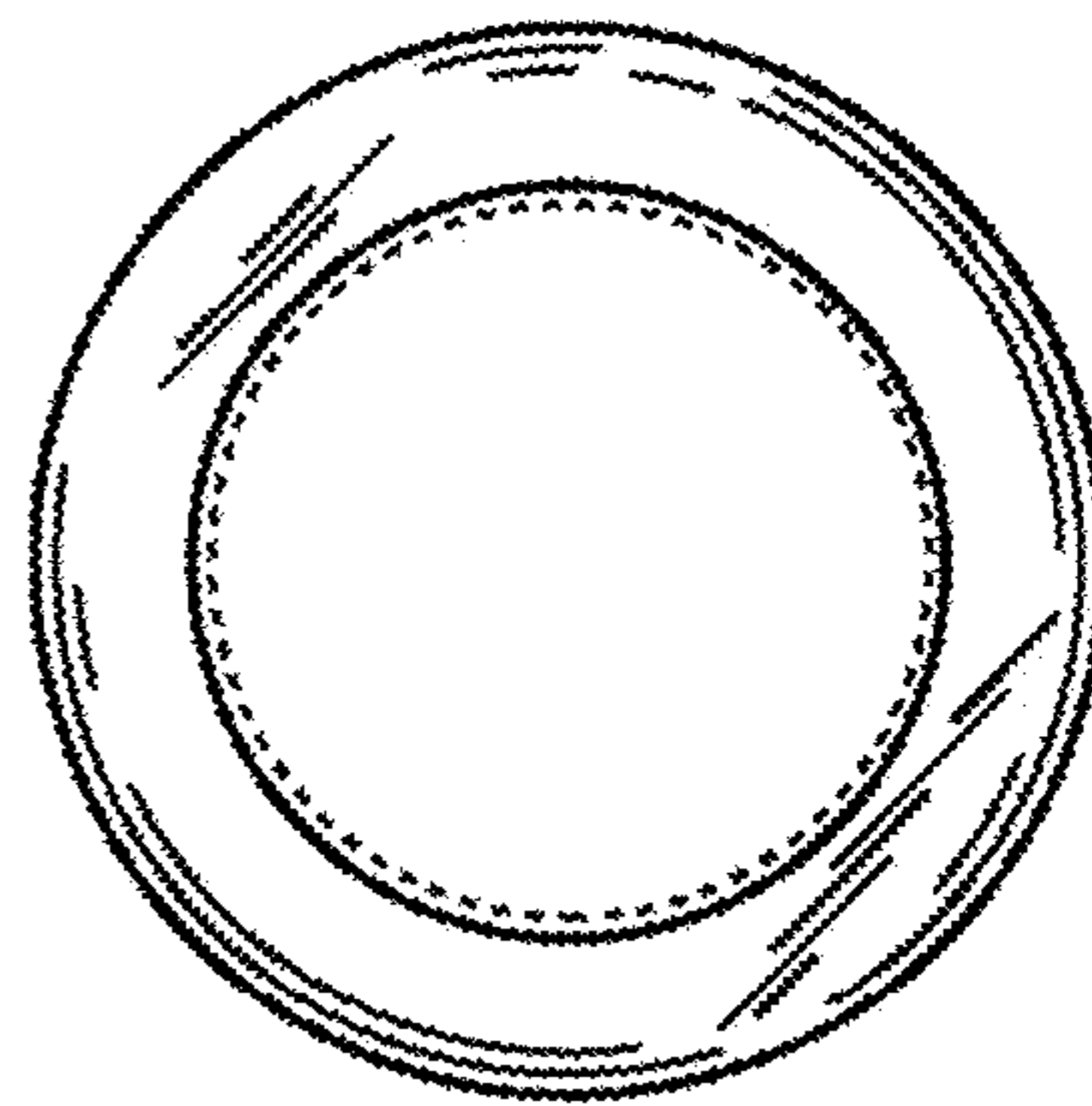


FIG. 4