



US00D883091S

(12) **United States Design Patent**
Oh et al.

(10) **Patent No.:** **US D883,091 S**

(45) **Date of Patent:** **** May 5, 2020**

(54) **BEVERAGE BOTTLE**

(71) Applicant: **Seoul F&B Co., Ltd.**, Gangwon-do (KR)

(72) Inventors: **Duk Geun Oh**, Gangwon-do (KR); **Gi Nam Lee**, Gangwon-do (KR)

(73) Assignee: **SEOUL F&B CO., LTD.**, Gangwon-do (KR)

(**) Term: **15 Years**

(21) Appl. No.: **29/662,955**

(22) Filed: **Sep. 11, 2018**

(51) **LOC (12) Cl.** **09-01**

(52) **U.S. Cl.**
USPC **D9/503**; D9/453; D9/454

(58) **Field of Classification Search**
USPC D9/434-435, 453-454, 500, 502-505,
D9/516, 530, 537, 539, 549, 558, 715,
D9/719

CPC B65D 1/00; B65D 1/02; B65D 1/0223;
B65D 23/00; B65D 81/00; B65D
2501/00; B65D 2501/0009

See application file for complete search history.

(56) **References Cited**

U.S. PATENT DOCUMENTS

D274,218 S * 6/1984 Aramaki D9/776
D275,649 S * 9/1984 Shortino D9/500

D379,151 S * 5/1997 Stevens D9/503
D503,309 S * 3/2005 Yu D3/202
D517,864 S * 3/2006 Yu B65D 1/0223
D7/510
D545,199 S * 6/2007 MacLean D9/517
D587,135 S * 2/2009 Durbin D9/503
D605,517 S * 12/2009 Caldwell D9/500
D744,834 S * 12/2015 Cullen D9/500
D749,418 S * 2/2016 Fleischhacker D9/500

* cited by examiner

Primary Examiner — Dana Meyrow

(74) *Attorney, Agent, or Firm* — Vorys, Sater, Seymour and Pease LLP; Mih Sunh Koh

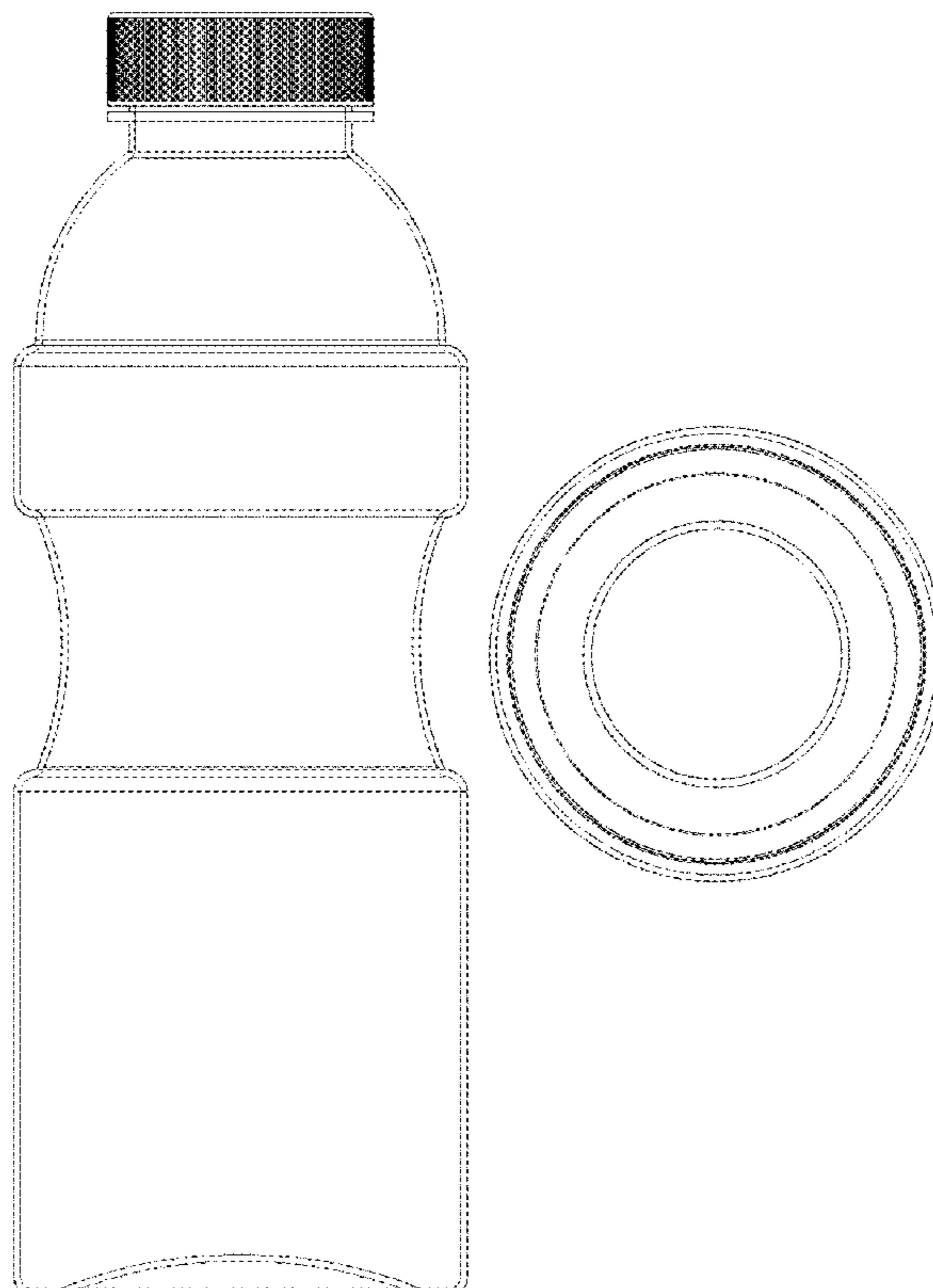
(57) **CLAIM**

The ornamental design for a beverage bottle, as shown and described.

DESCRIPTION

FIG. 1 is a perspective view of a beverage bottle;
FIG. 2 is a front elevational view thereof;
FIG. 3 is a rear elevational view thereof;
FIG. 4 is a left elevational side view thereof;
FIG. 5 is a right elevational side view thereof;
FIG. 6 is a top plan view thereof; and,
FIG. 7 is a bottom plan view thereof.

1 Claim, 7 Drawing Sheets



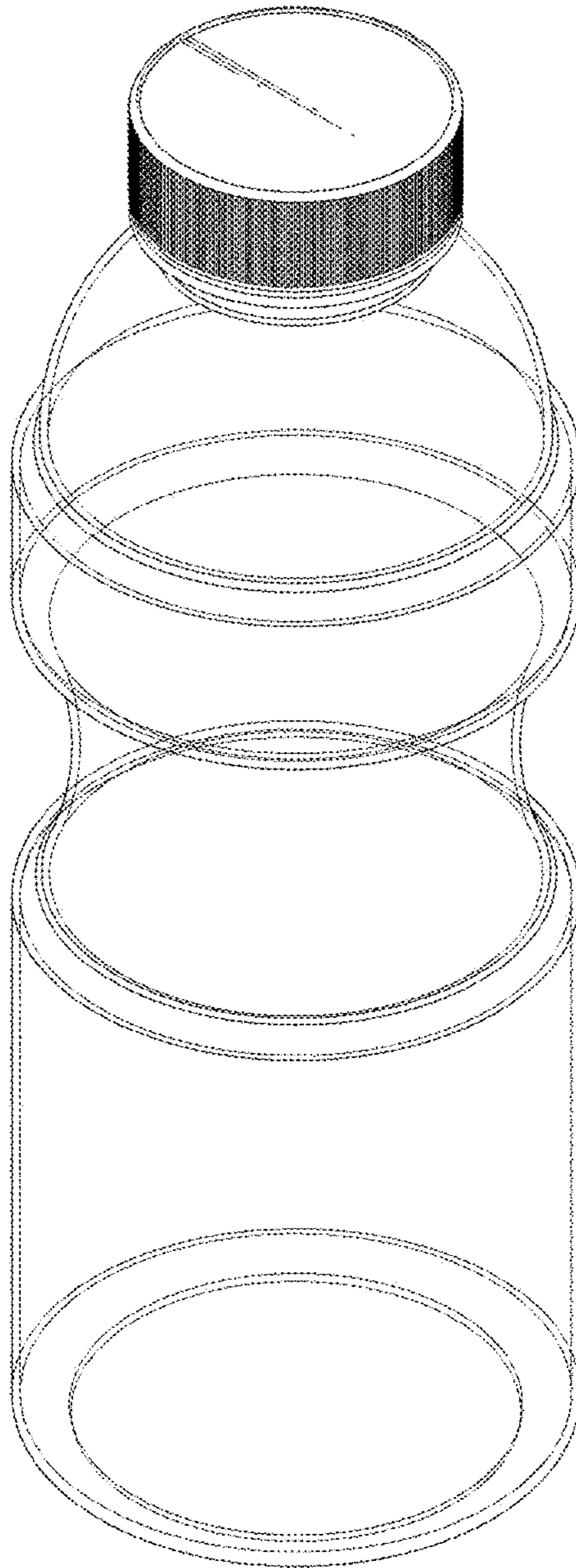


FIG. 1

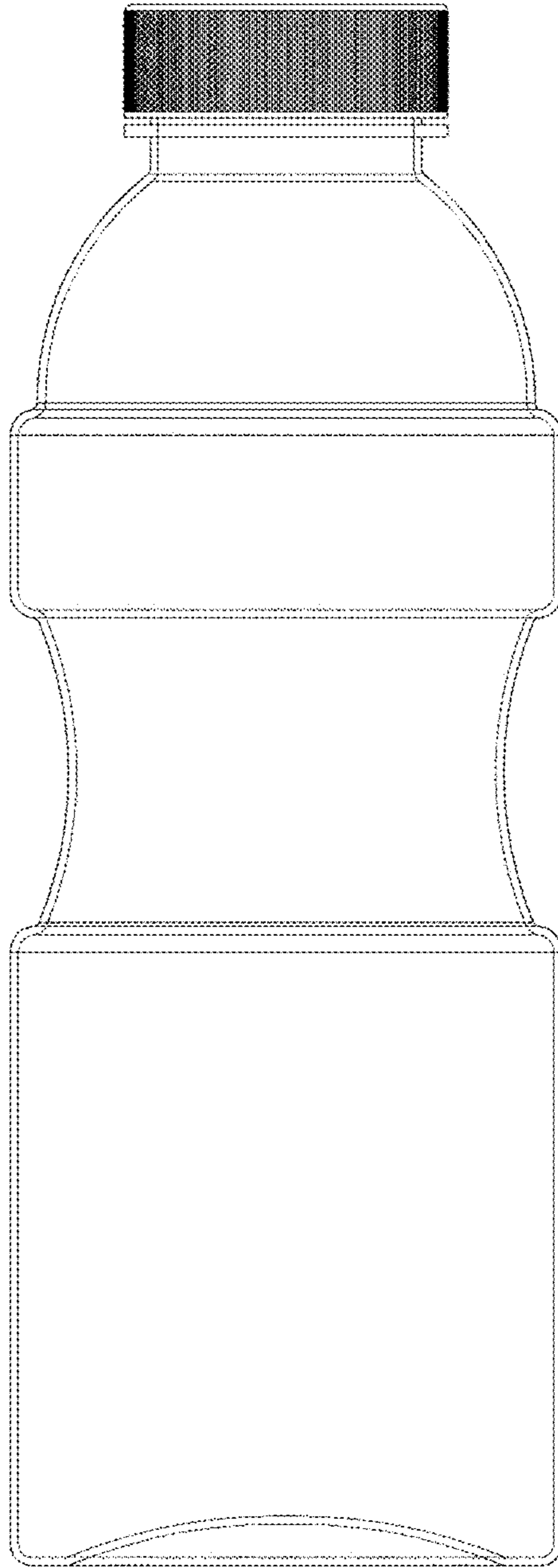


FIG. 2

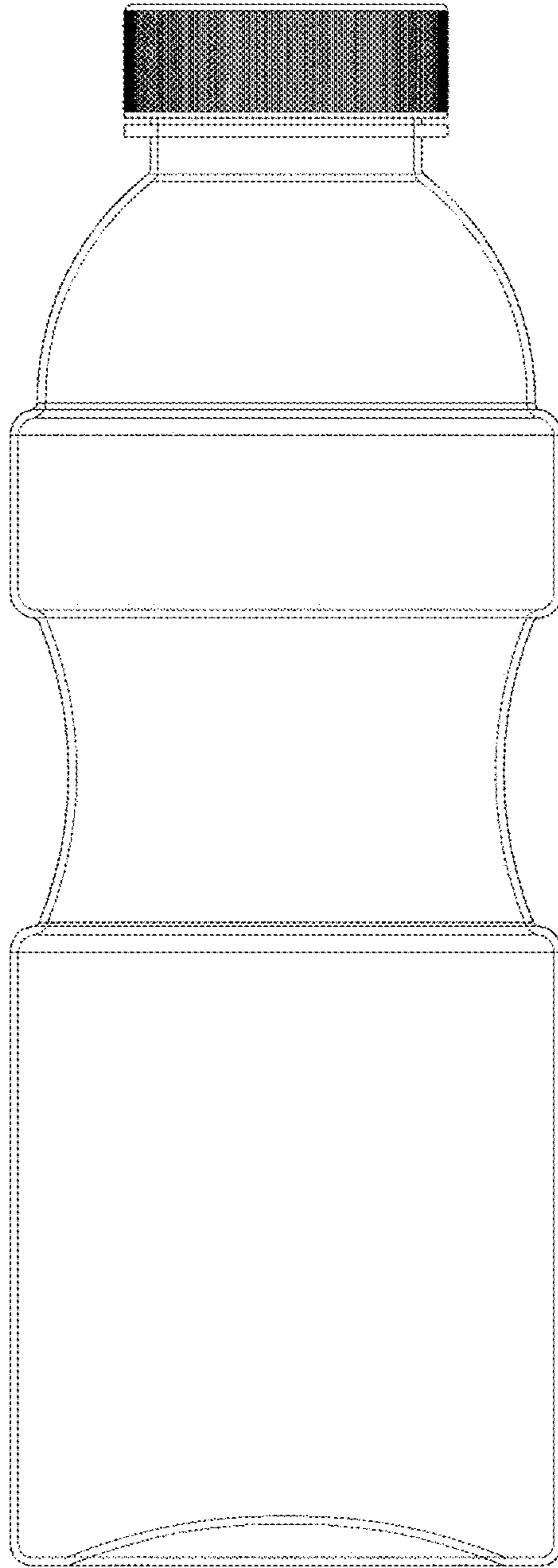


FIG. 3

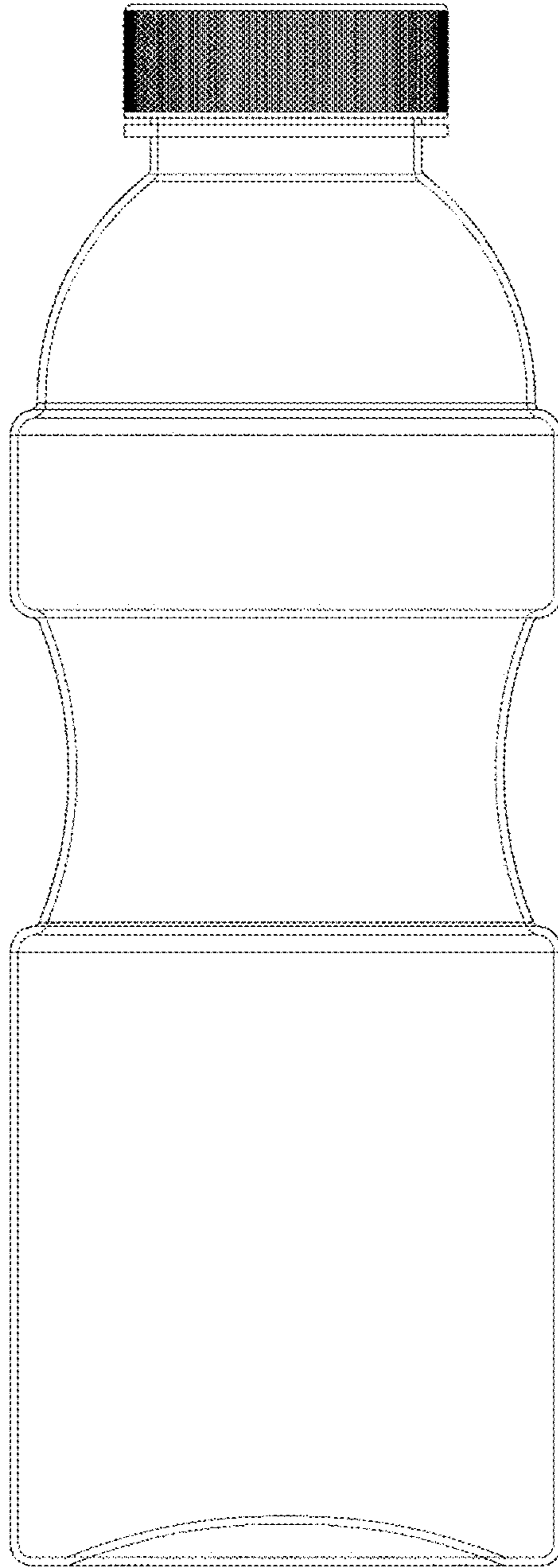


FIG. 4

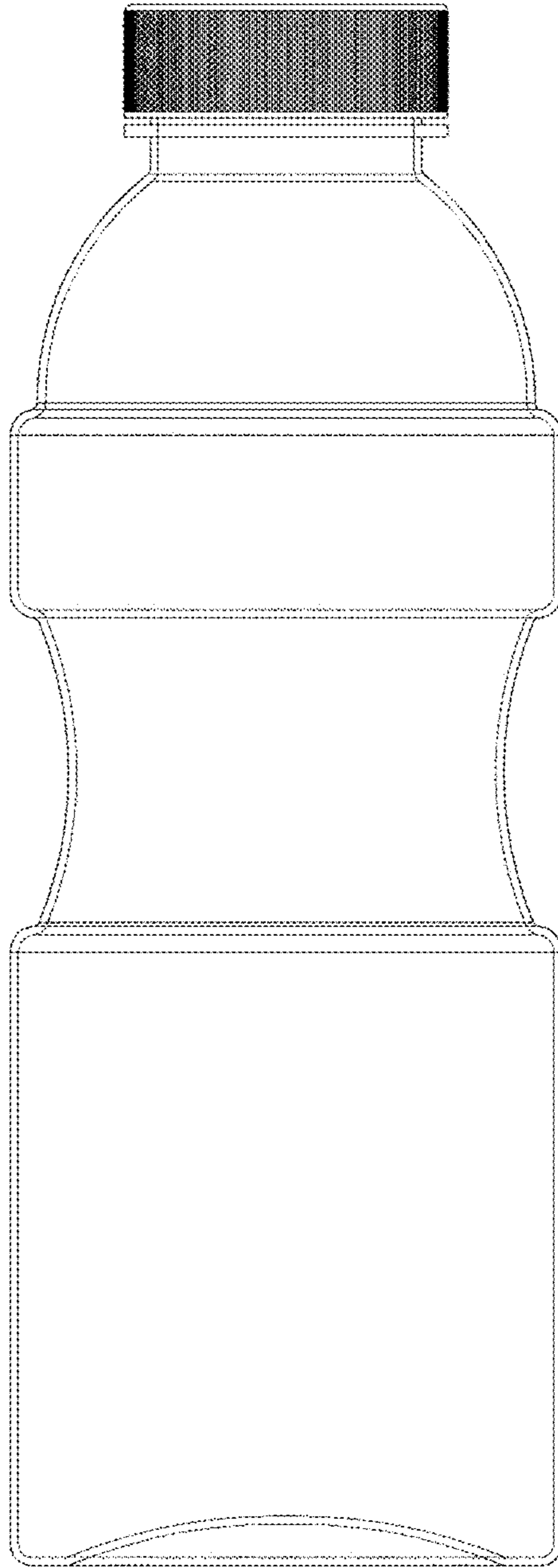


FIG. 5

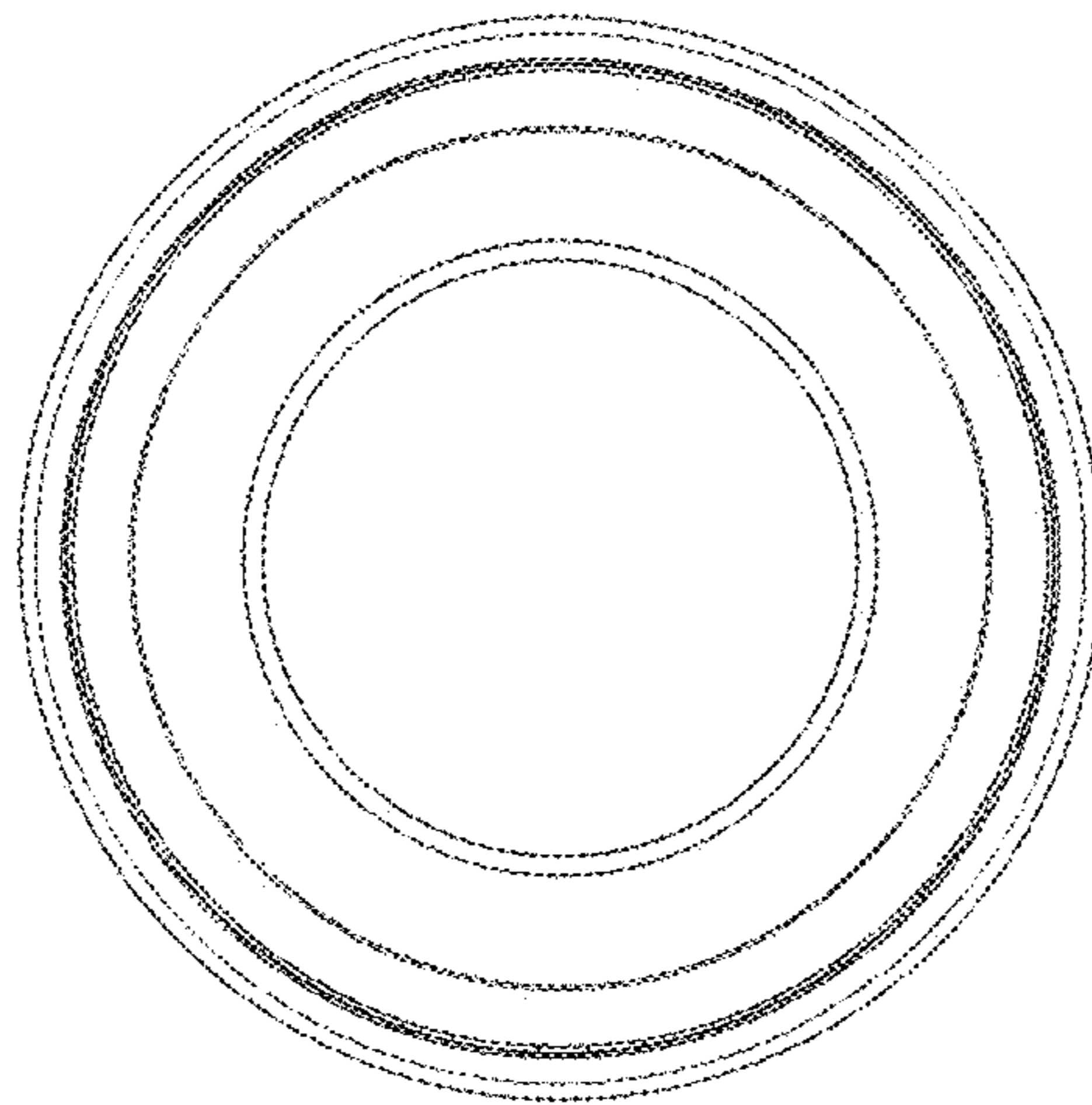


FIG. 6

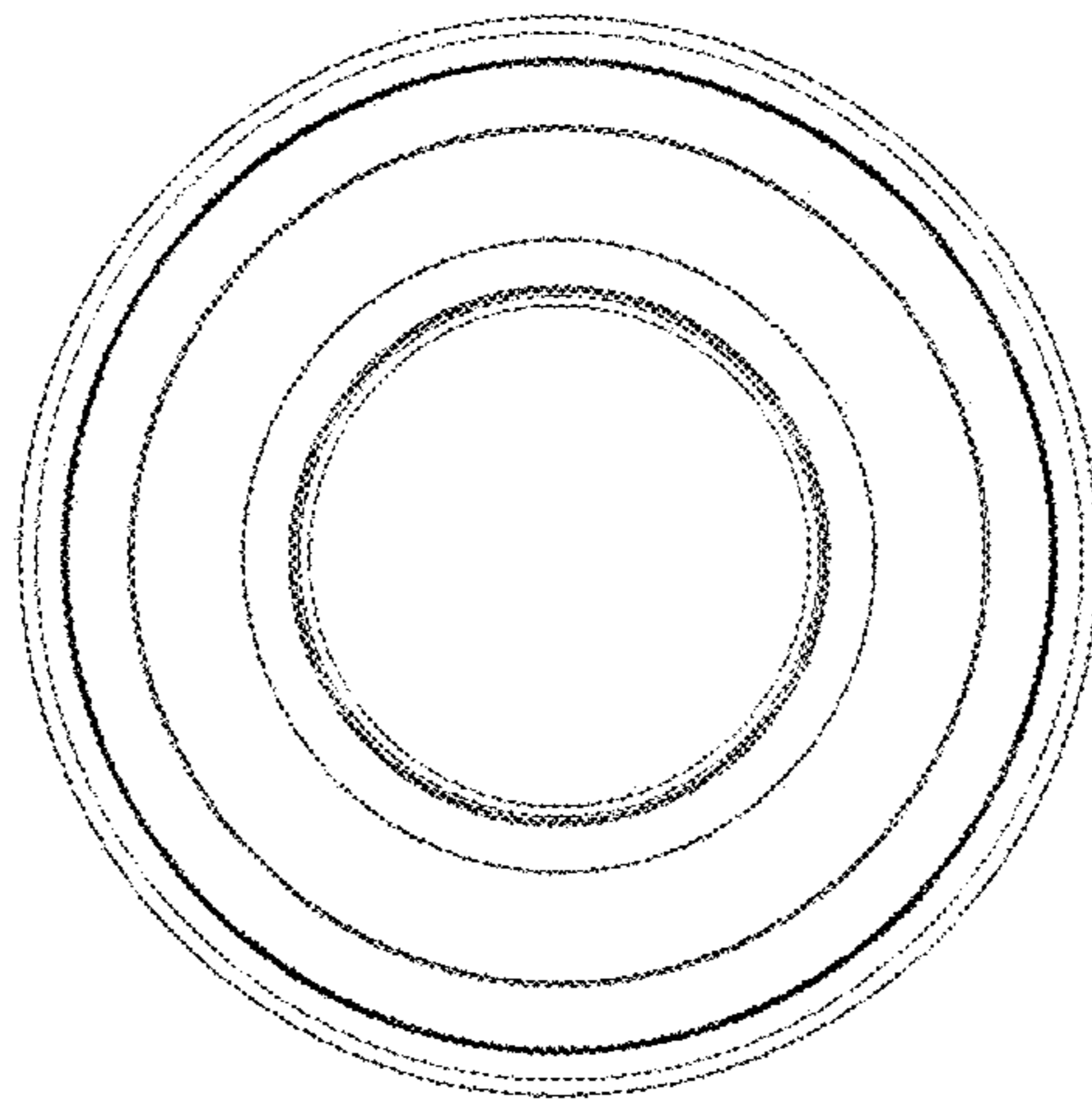


FIG. 7