



US00D883085S

(12) **United States Design Patent**
Verspreuwen

(10) **Patent No.:** **US D883,085 S**

(45) **Date of Patent:** **** May 5, 2020**

(54) **BOX**

(71) Applicant: **Blanche Verspreuwen**, Neerijse (BE)

(72) Inventor: **Blanche Verspreuwen**, Neerijse (BE)

(**) Term: **15 Years**

(21) Appl. No.: **29/672,237**

(22) Filed: **Dec. 4, 2018**

(30) **Foreign Application Priority Data**

Jun. 15, 2018 (EM) 005312824

(51) **LOC (12) Cl.** **09-03**

(52) **U.S. Cl.**
USPC **D9/432; D9/414**

(58) **Field of Classification Search**
USPC D9/414-423, 430-433, 434, 456, 457,
D9/711, 713, 721-722; D20/10, 22, 27,
D20/40, 42
CPC ... B65D 5/00; B65D 5/02; B65D 5/18; B65D
5/20

See application file for complete search history.

(56) **References Cited**

U.S. PATENT DOCUMENTS

D589,359 S * 3/2009 Kusumi D9/432
D626,010 S * 10/2010 Criss D9/711
D639,179 S * 6/2011 Powers D9/434
D691,476 S * 10/2013 Macaulay D9/516
D703,532 S * 4/2014 Merchant D9/434

D748,474 S * 2/2016 Choi D9/434
D749,414 S * 2/2016 Choi D9/434
D753,487 S * 4/2016 Wells D9/434
D783,396 S * 4/2017 Riffe D9/434
D795,073 S * 8/2017 Powers D9/499
D796,314 S * 9/2017 Riffe D9/414
D799,964 S * 10/2017 Abel D9/499

* cited by examiner

Primary Examiner — Vy N Koenig

(74) *Attorney, Agent, or Firm* — Reichel Stohry Dean
LLP; Mark C. Reichel; Natalie J. Dean

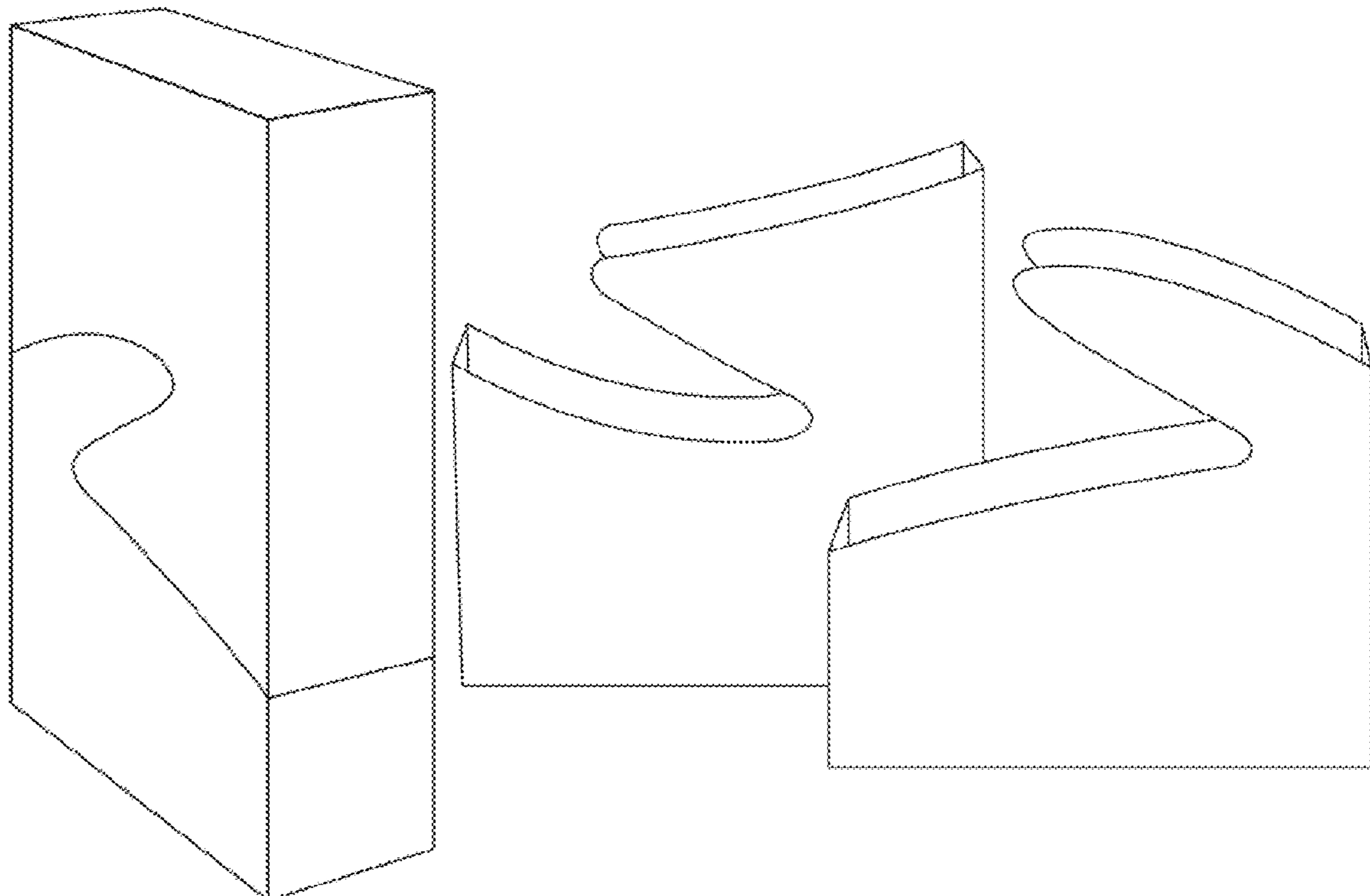
(57) **CLAIM**

The ornamental design for a box, as shown and described.

DESCRIPTION

FIG. 1 shows a front view of a box in a closed configuration showing my new design;
FIG. 2 shows a front perspective view thereof;
FIG. 3 shows a back view thereof;
FIG. 4 shows a back perspective view thereof;
FIG. 5 shows a left side view thereof;
FIG. 6 shows a left side perspective view thereof;
FIG. 7 shows a right side view thereof;
FIG. 8 shows a right side perspective view thereof;
FIG. 9 shows a top view thereof;
FIG. 10 shows a bottom view thereof;
FIG. 11 shows a left front perspective view thereof; and,
FIG. 12 shows a back perspective view of two components of the box shown in FIG. 1 in an open configuration, with one component positioned relatively in front of the other.

1 Claim, 11 Drawing Sheets



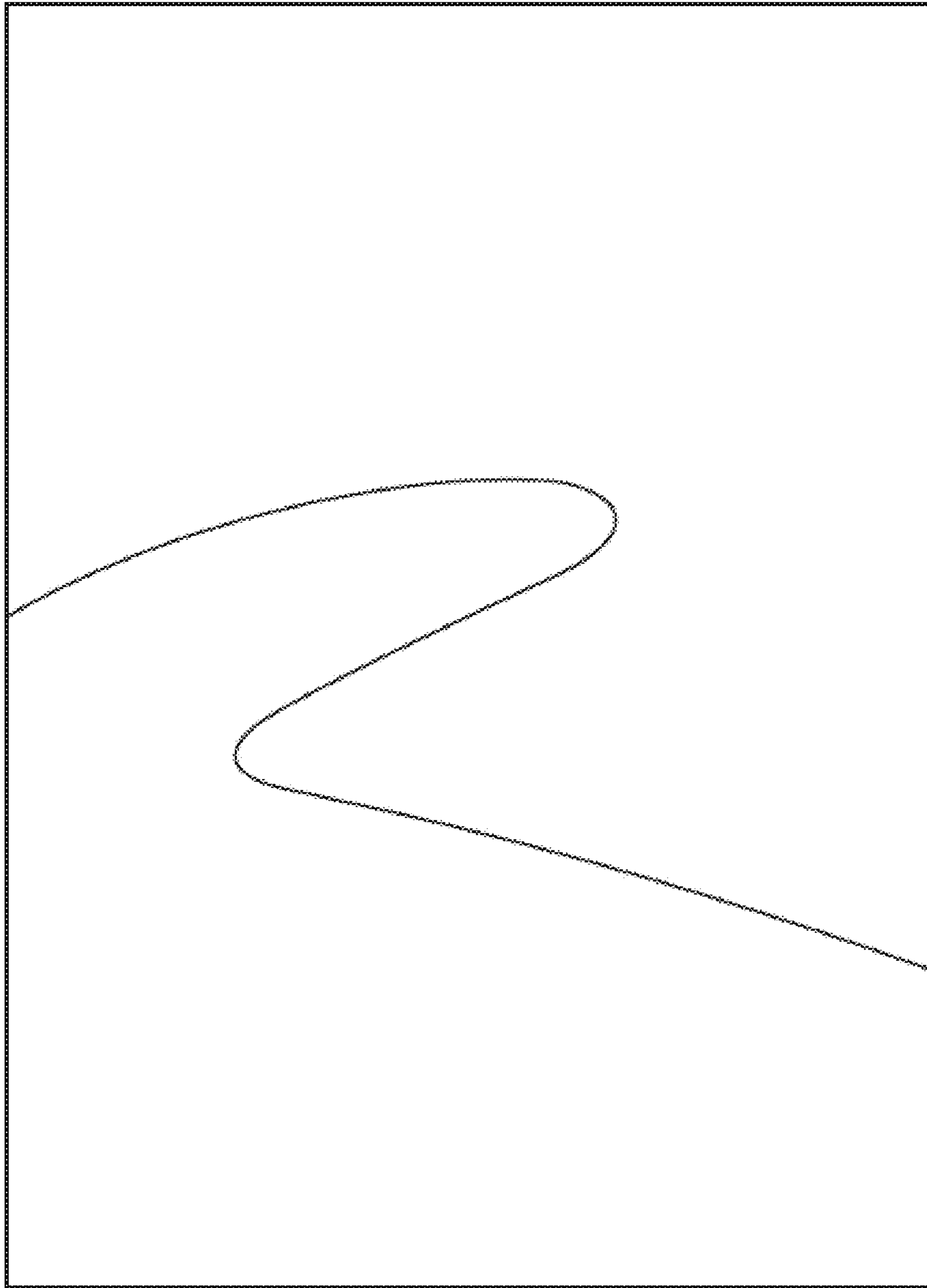


FIG. 1

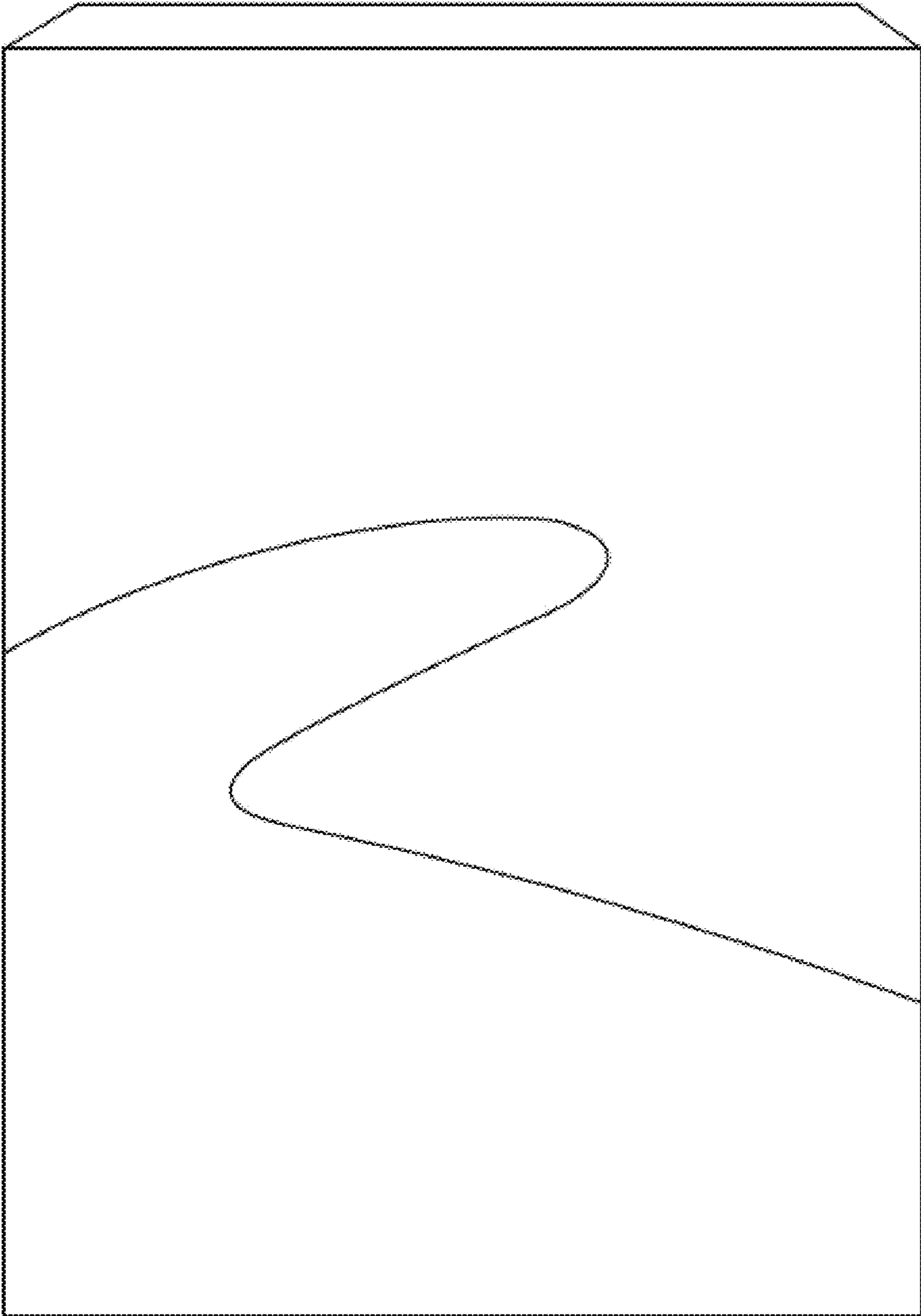


FIG. 2

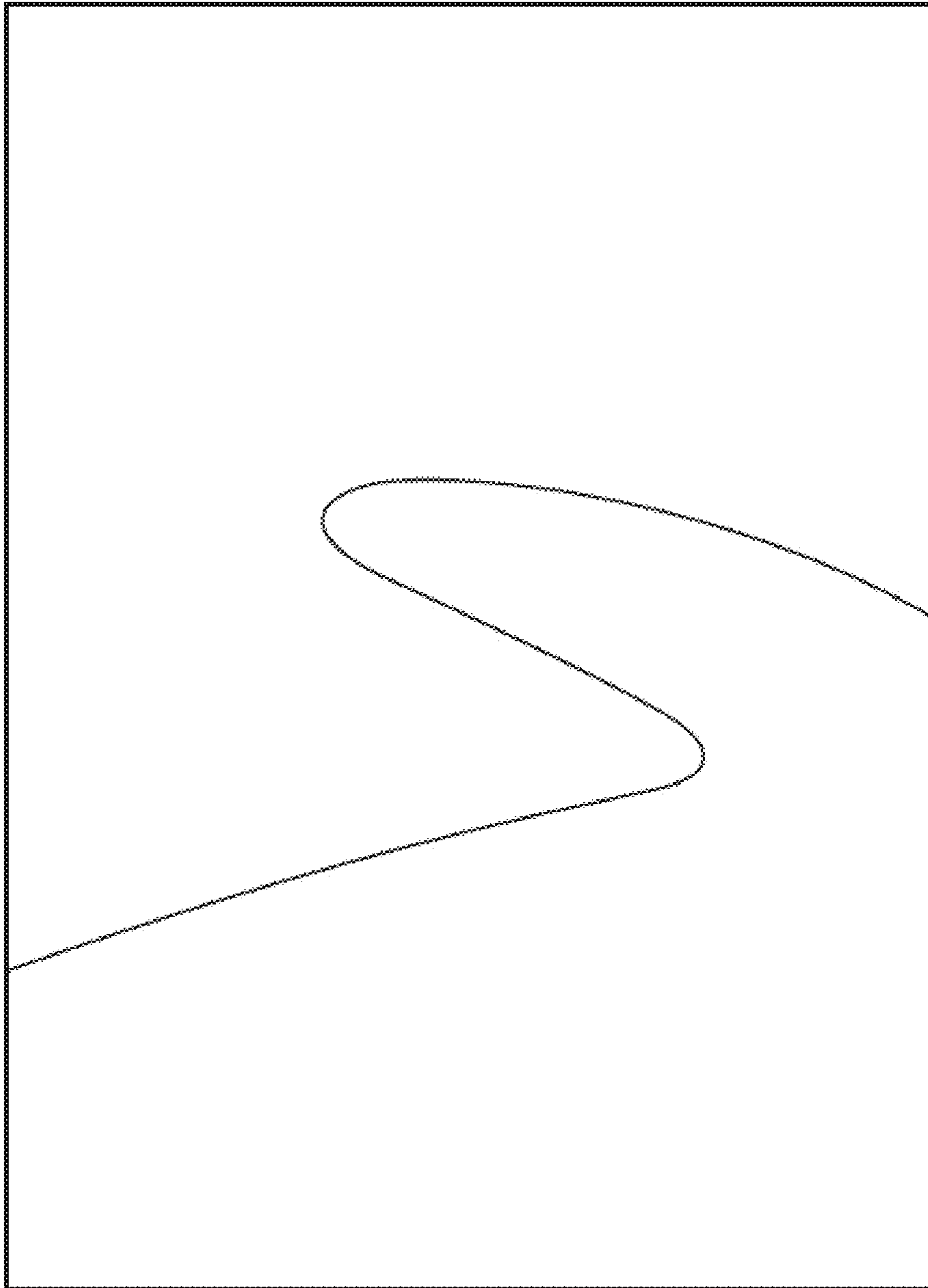


FIG. 3

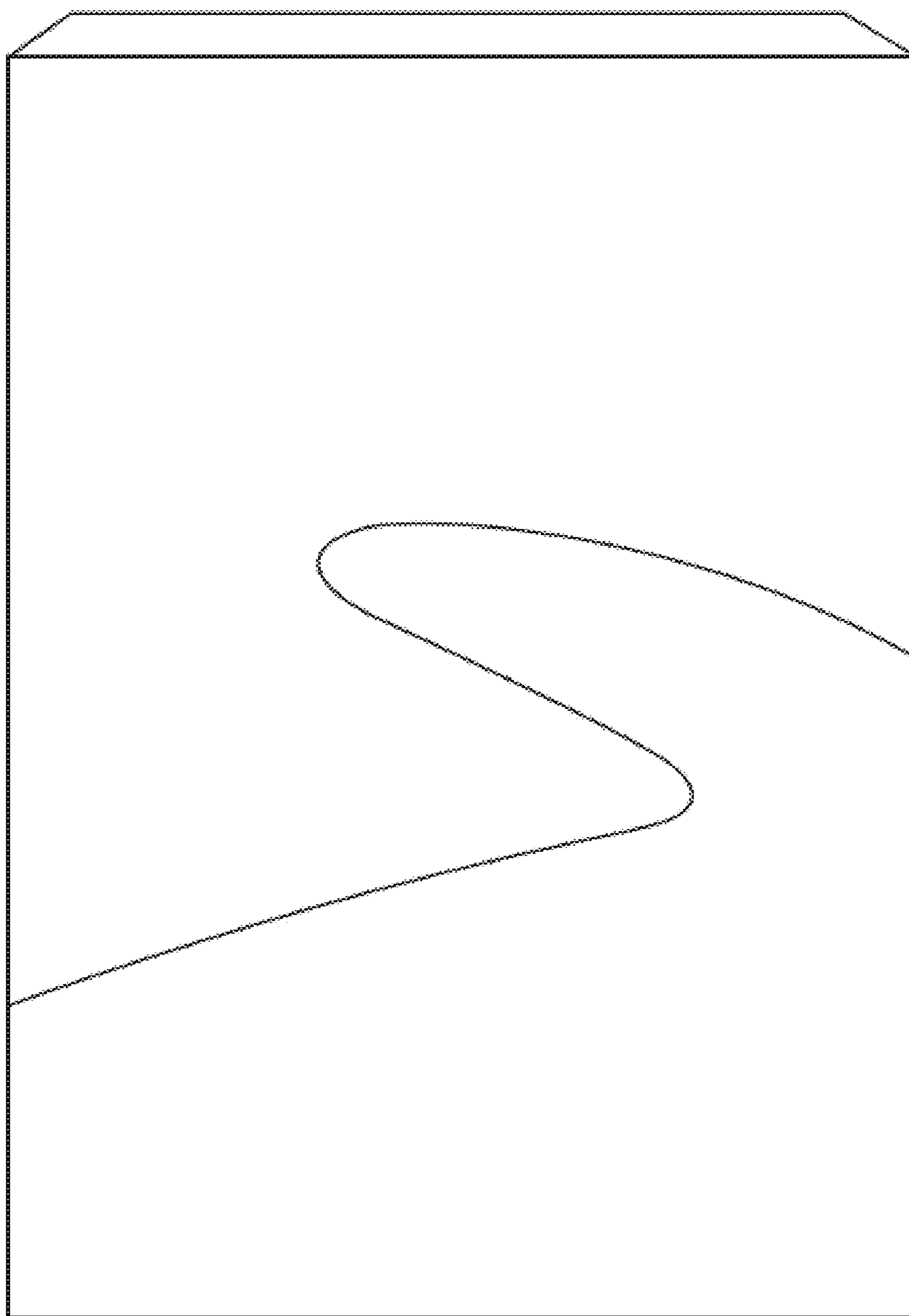


FIG. 4

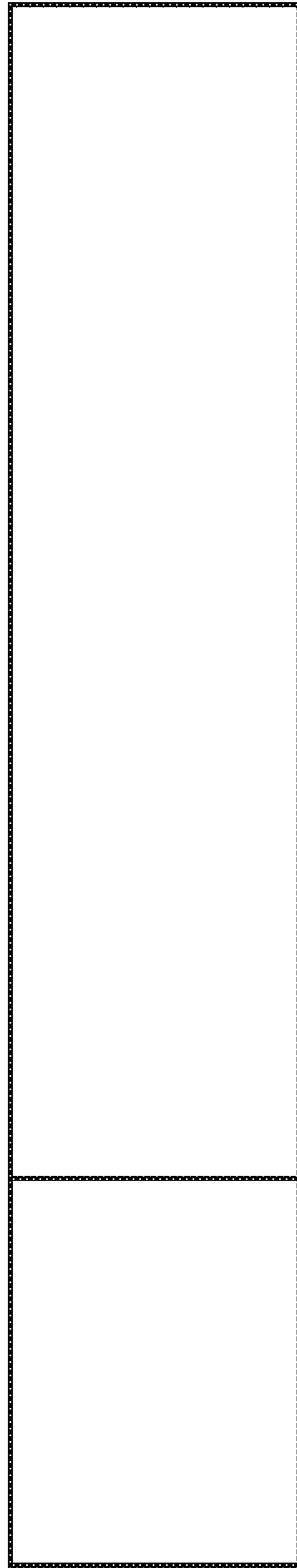


FIG. 5

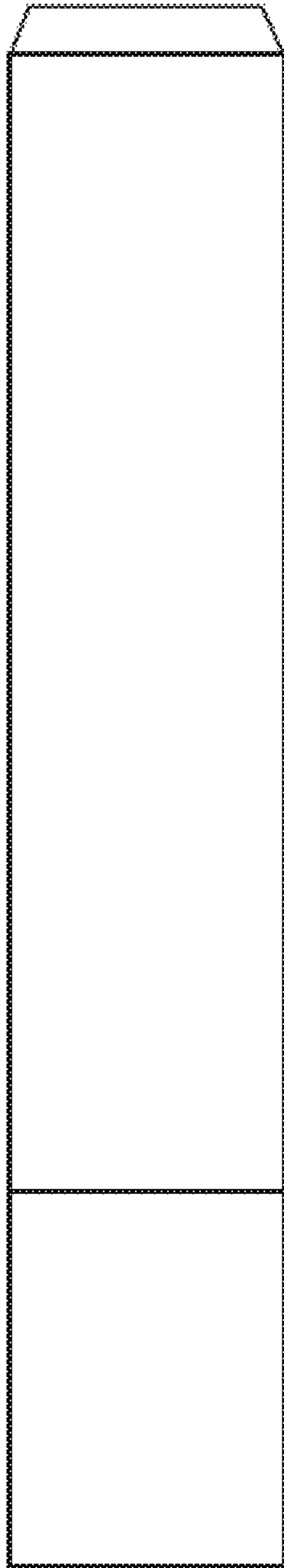


FIG. 6

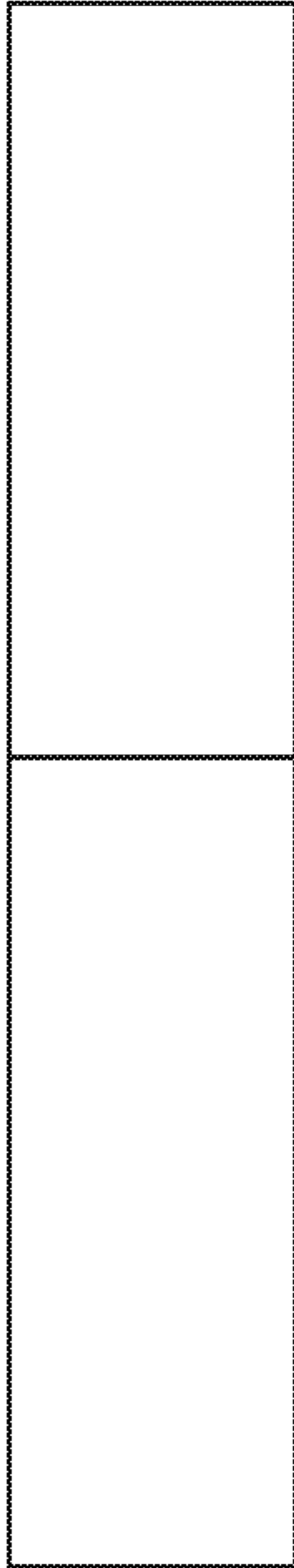


FIG. 7

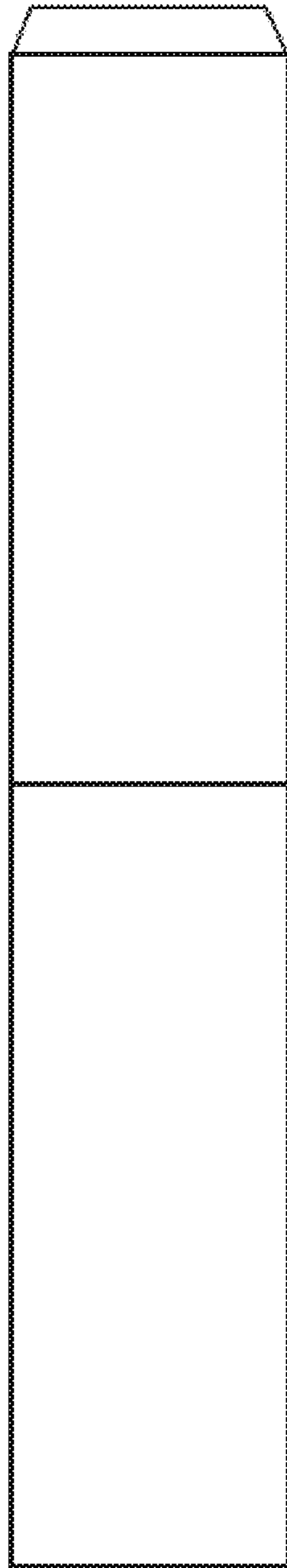


FIG. 8



FIG. 9



FIG. 10

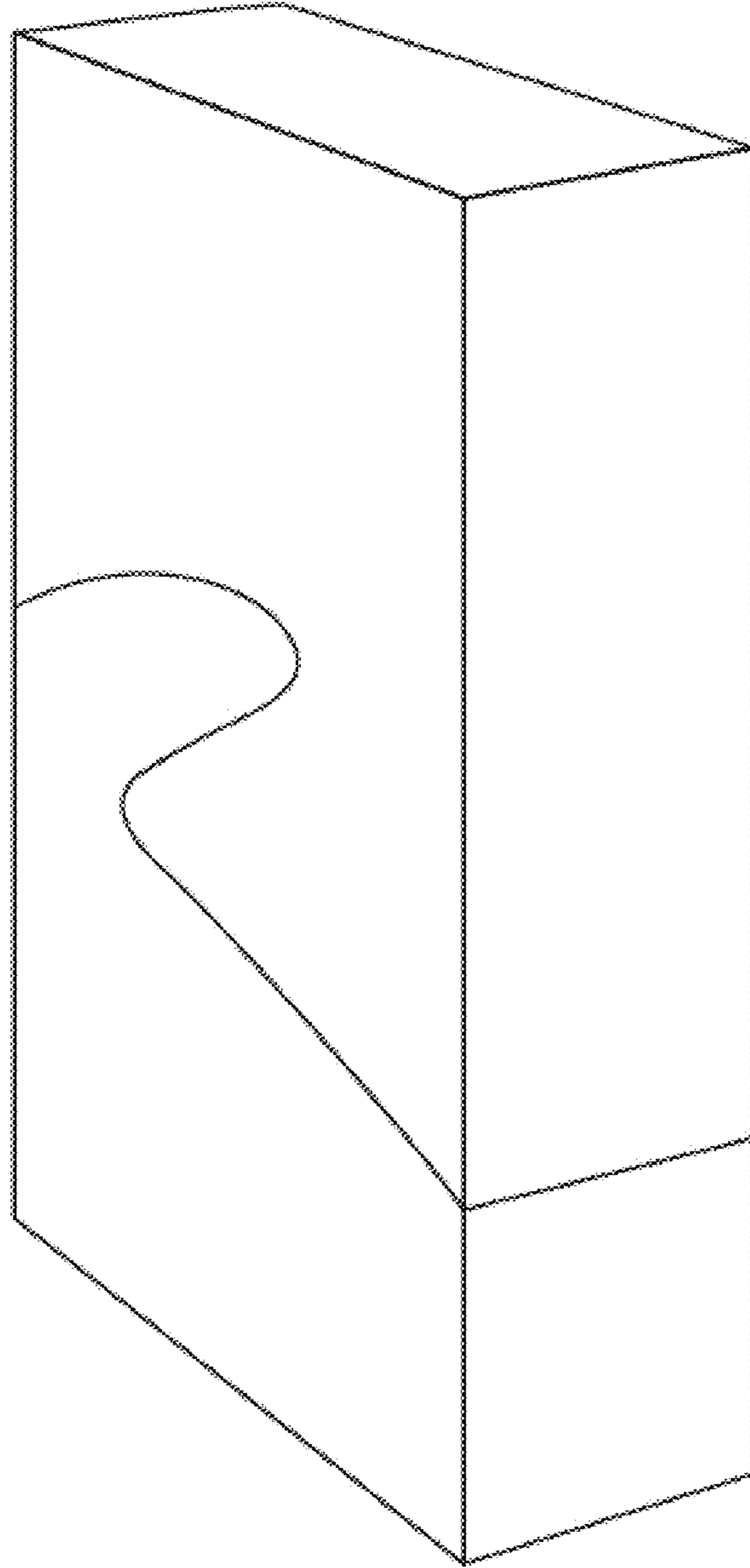


FIG. 11

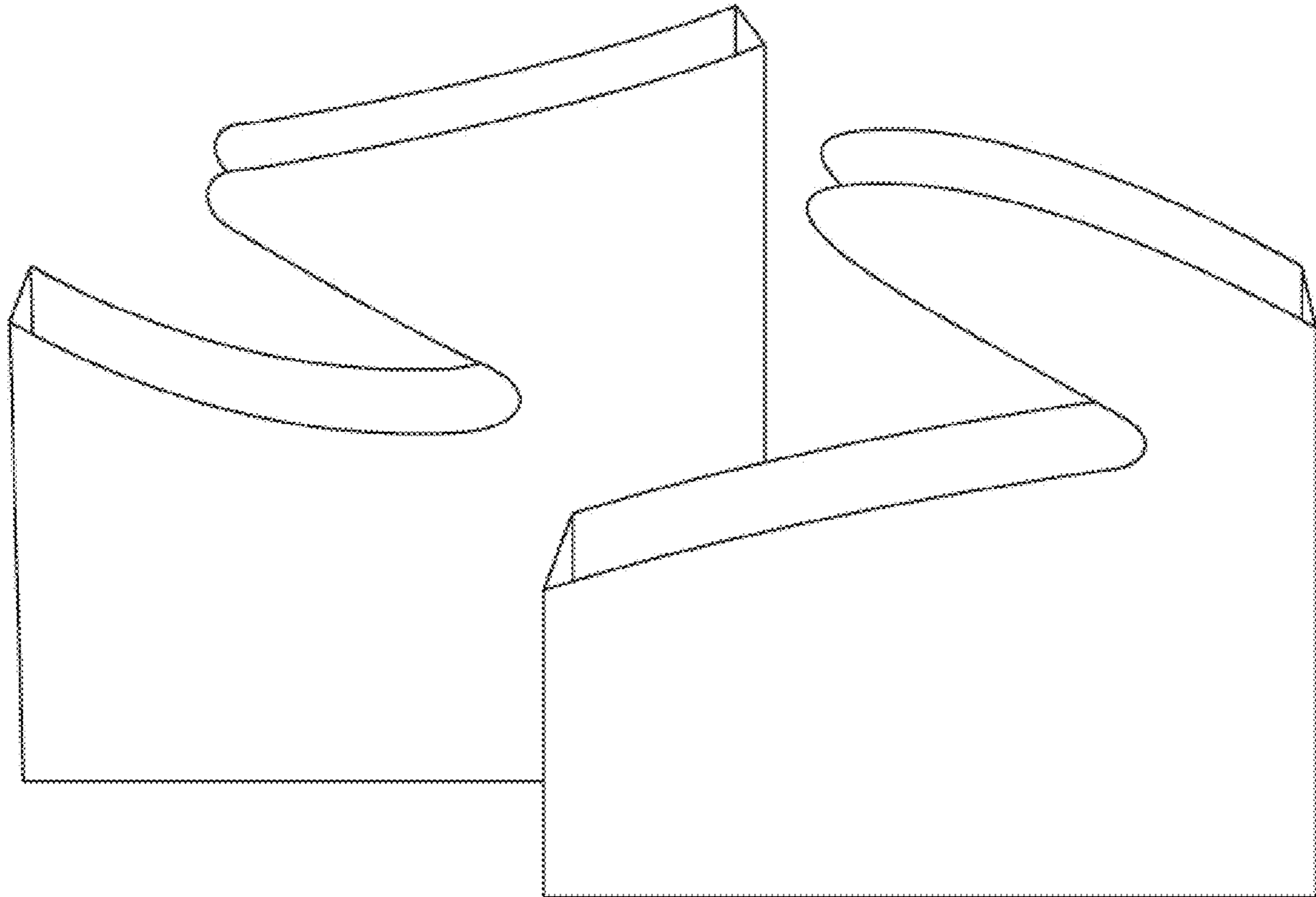


FIG. 12