



US00D883079S

(12) **United States Design Patent**
Kou

(10) **Patent No.:** **US D883,079 S**

(45) **Date of Patent:** **** May 5, 2020**

(54) **BED SHEETS FASTENER**

(71) Applicant: **HuaBing Kou**, Dengzhou (CN)

(72) Inventor: **HuaBing Kou**, Dengzhou (CN)

(**) Term: **15 Years**

(21) Appl. No.: **29/716,820**

(22) Filed: **Dec. 12, 2019**

(51) **LOC (12) Cl.** **08-08**

(52) **U.S. Cl.**
USPC **D8/394**; D6/607

(58) **Field of Classification Search**
USPC D8/356, 371, 394-396; D19/65, 56;
D6/607
CPC . E04B 9/067; E04B 9/068; E04B 9/12; E04B
9/18; E04B 9/30; E04B 2009/062; E04C
2003/0413; E04C 2003/0439; E04C
2003/046; A47C 21/022
See application file for complete search history.

(56) **References Cited**

U.S. PATENT DOCUMENTS

- D25,786 S * 7/1896 Stoll D24/183
- 4,199,831 A * 4/1980 Muller A47C 21/022
5/411
- 5,179,743 A * 1/1993 Lanman A47C 21/022
24/465
- D387,602 S * 12/1997 Cerdan D6/607
- D448,230 S * 9/2001 Gillin D6/607
- D690,539 S * 10/2013 Grill D6/607

- D769,030 S 10/2016 Acres
- D799,859 S * 10/2017 Whaley D6/607
- 9,844,276 B1 * 12/2017 Phillips A47C 21/022
- D870,489 S * 12/2019 Clarke D6/606
- 2002/0062522 A1 * 5/2002 Deckert A47C 21/022
5/504.1
- 2004/0060113 A1 * 4/2004 Lantagne A47C 21/022
5/494
- 2010/0219657 A1 * 9/2010 Kinley B60P 7/0876
296/100.01

* cited by examiner

Primary Examiner — John Windmuller
(74) *Attorney, Agent, or Firm* — ScienBiziP, P.C.

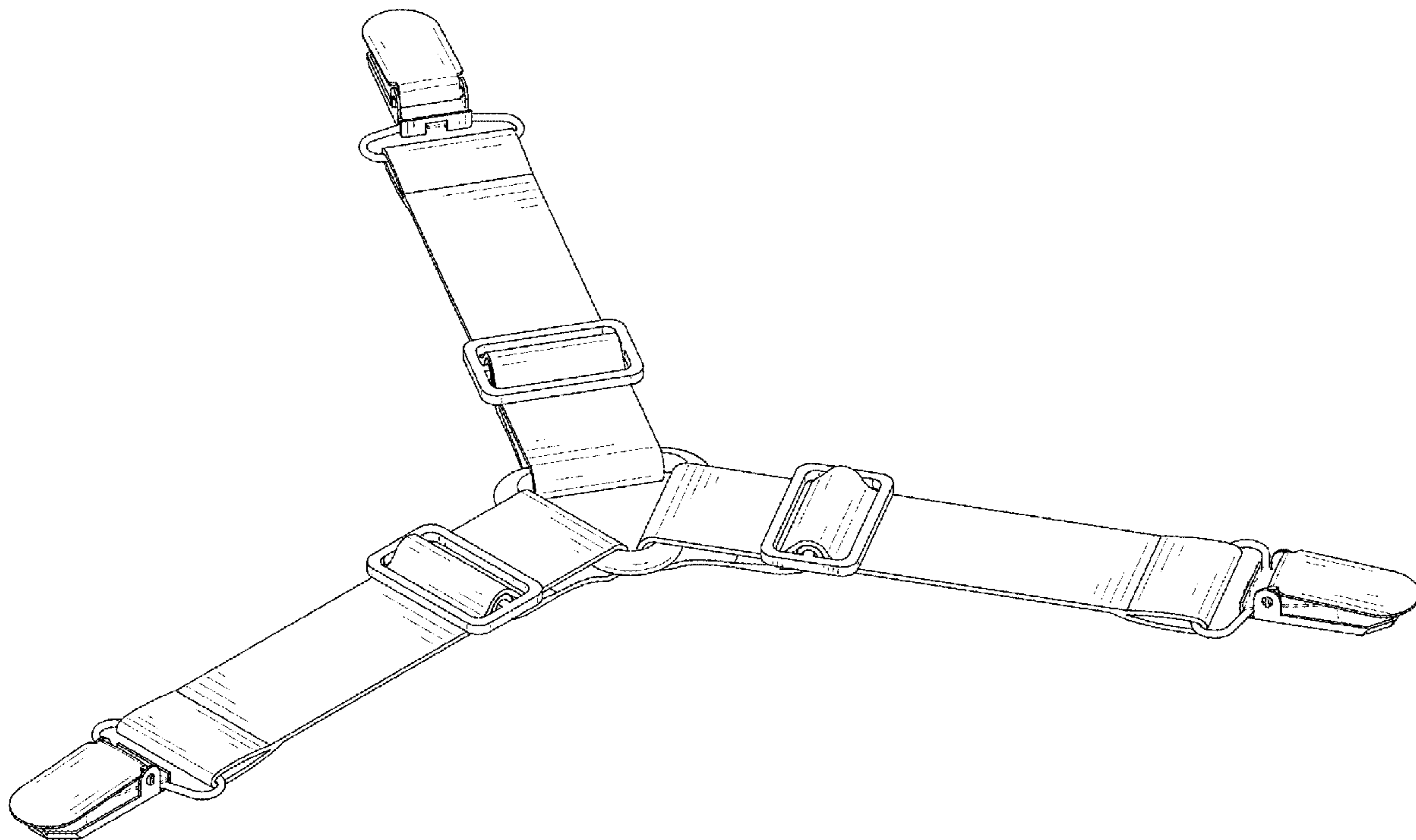
(57) **CLAIM**

The ornamental design for a bed sheets fastener, as shown and described.

DESCRIPTION

FIG. 1 is a front perspective view of a bed sheets fastener, showing my design.
 FIG. 2 is a rear perspective view thereof.
 FIG. 3 is a front elevation view thereof.
 FIG. 4 is a rear elevation view thereof.
 FIG. 5 is a left side elevation view thereof.
 FIG. 6 is a right side elevation view thereof.
 FIG. 7 is a top plan view thereof; and,
 FIG. 8 is a bottom plan view thereof.
 FIG. 9 is an enlarged view of a circle labeled 9 in FIG. 2 of the bed sheets fastener.
 The details shown in broken lines form no part of the claimed design.

1 Claim, 9 Drawing Sheets



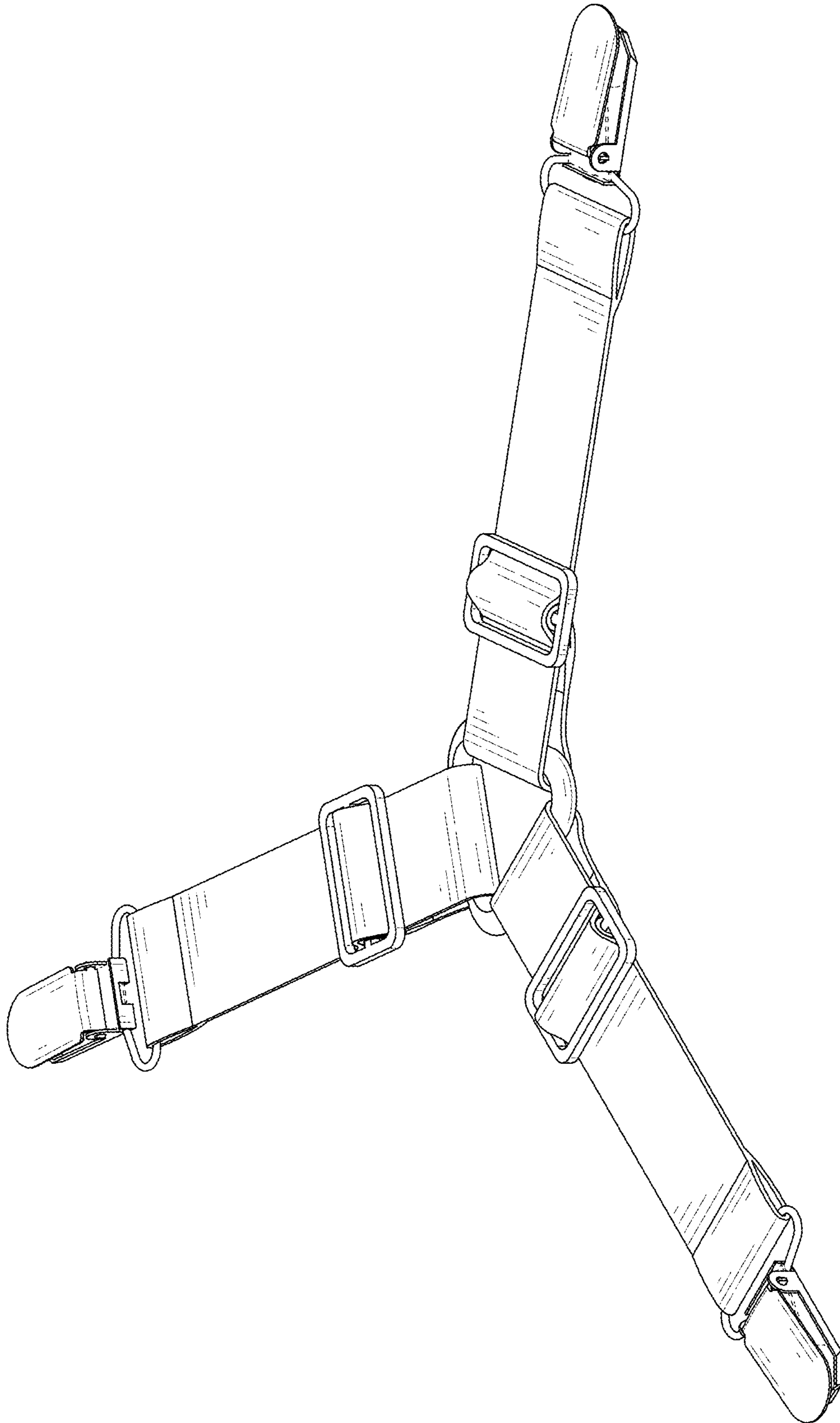


FIG. 1

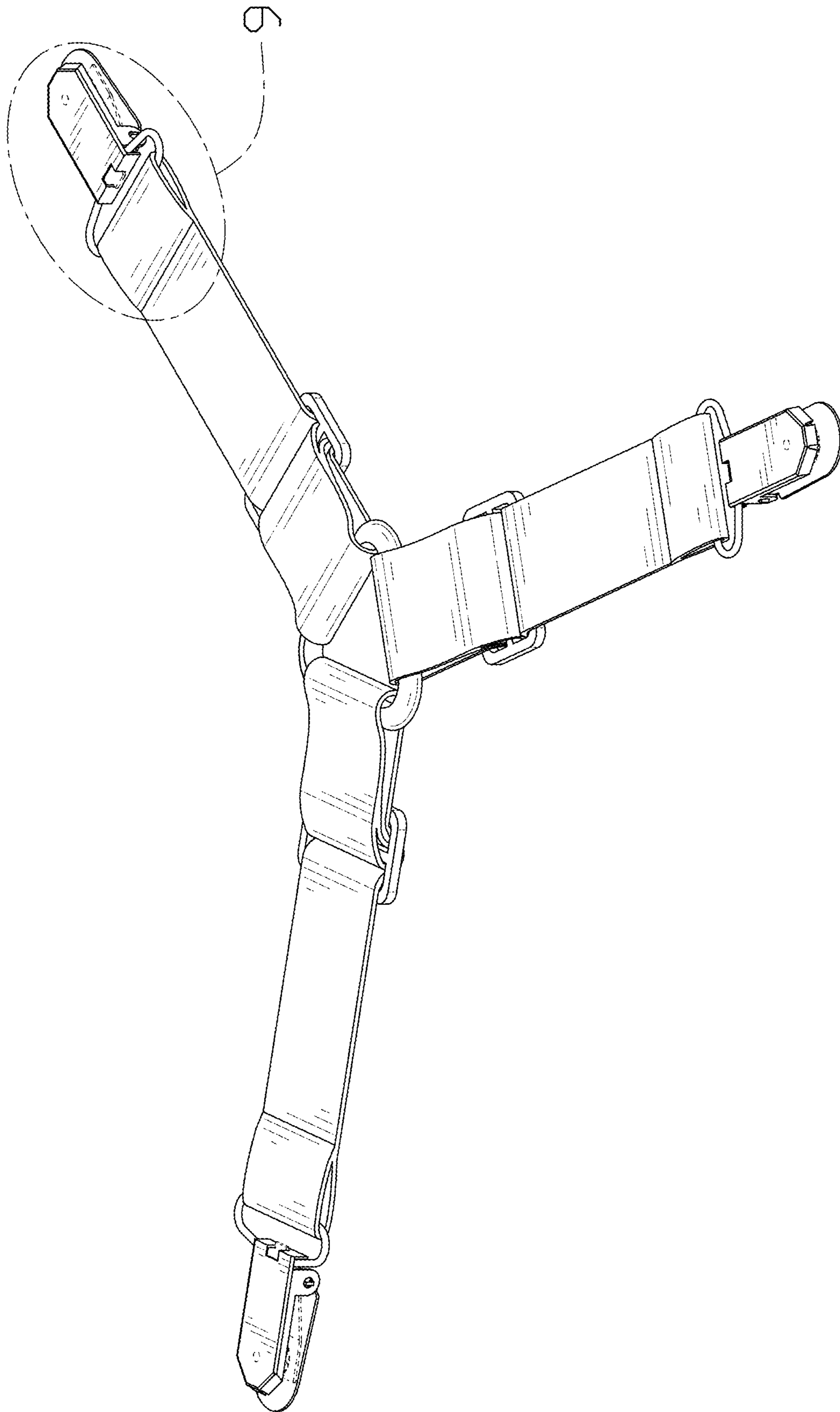


FIG. 2

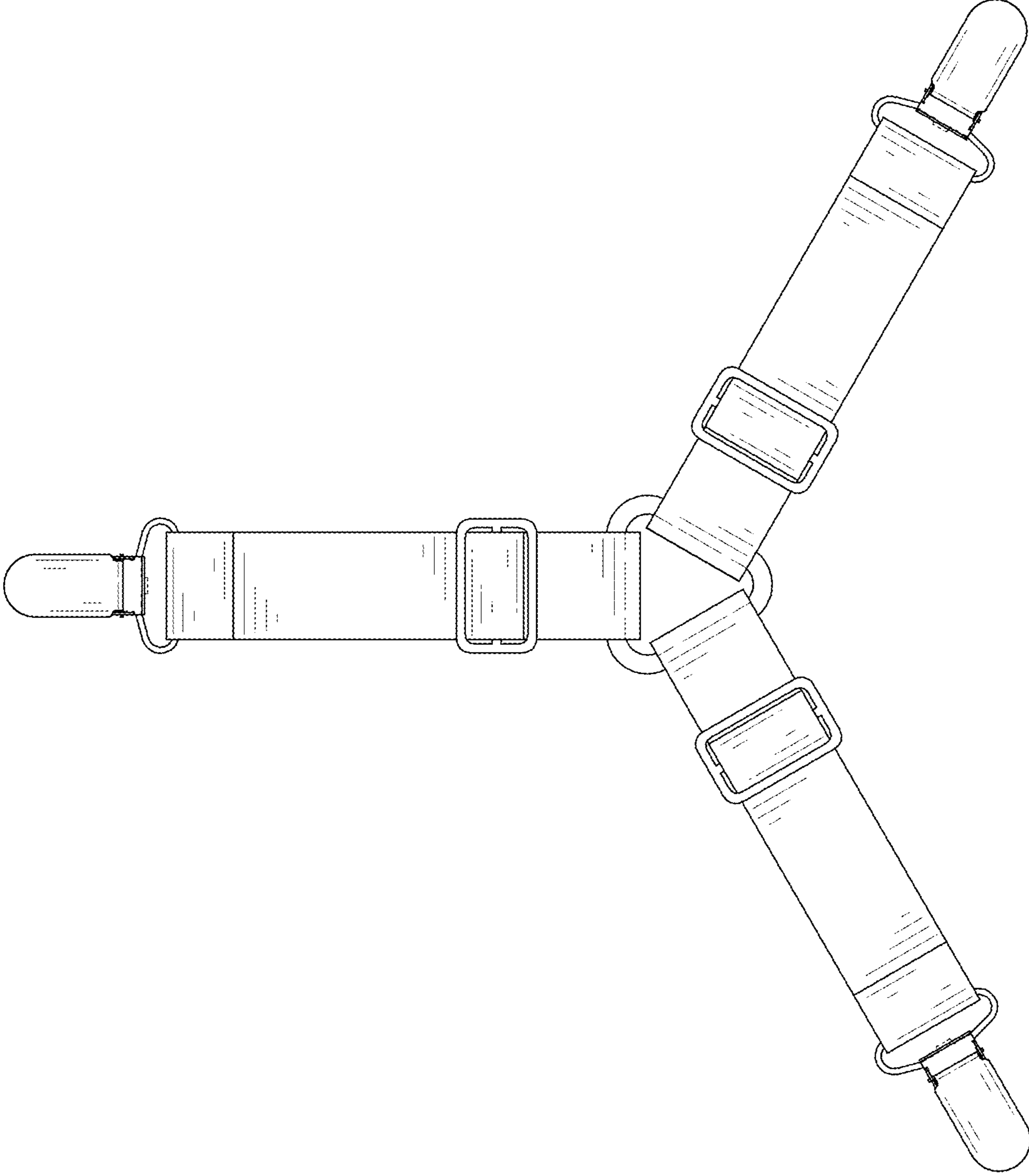


FIG. 3

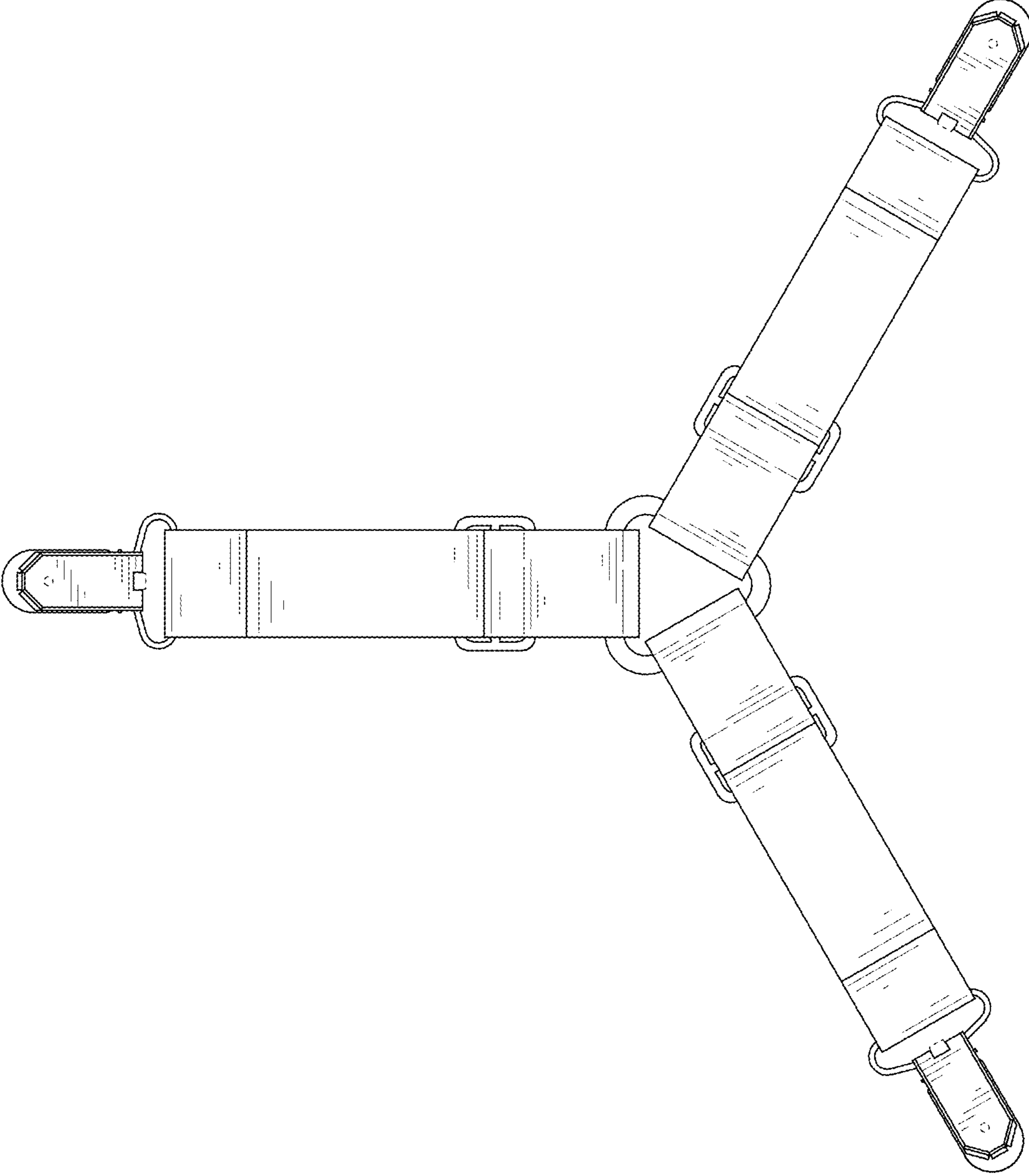


FIG. 4



FIG. 5



FIG. 6

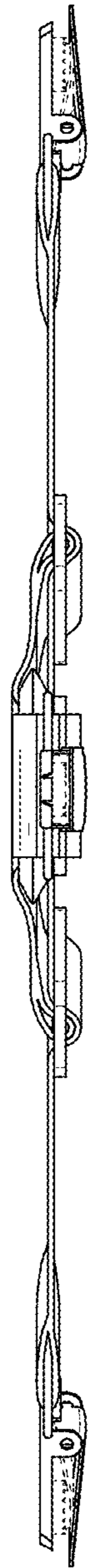


FIG. 7

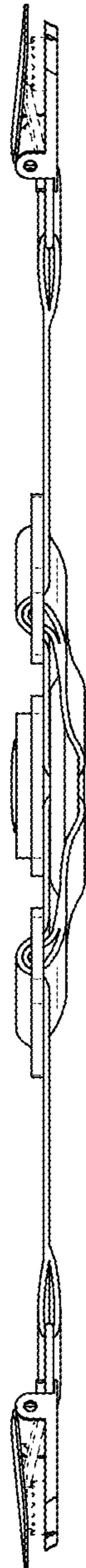


FIG. 8

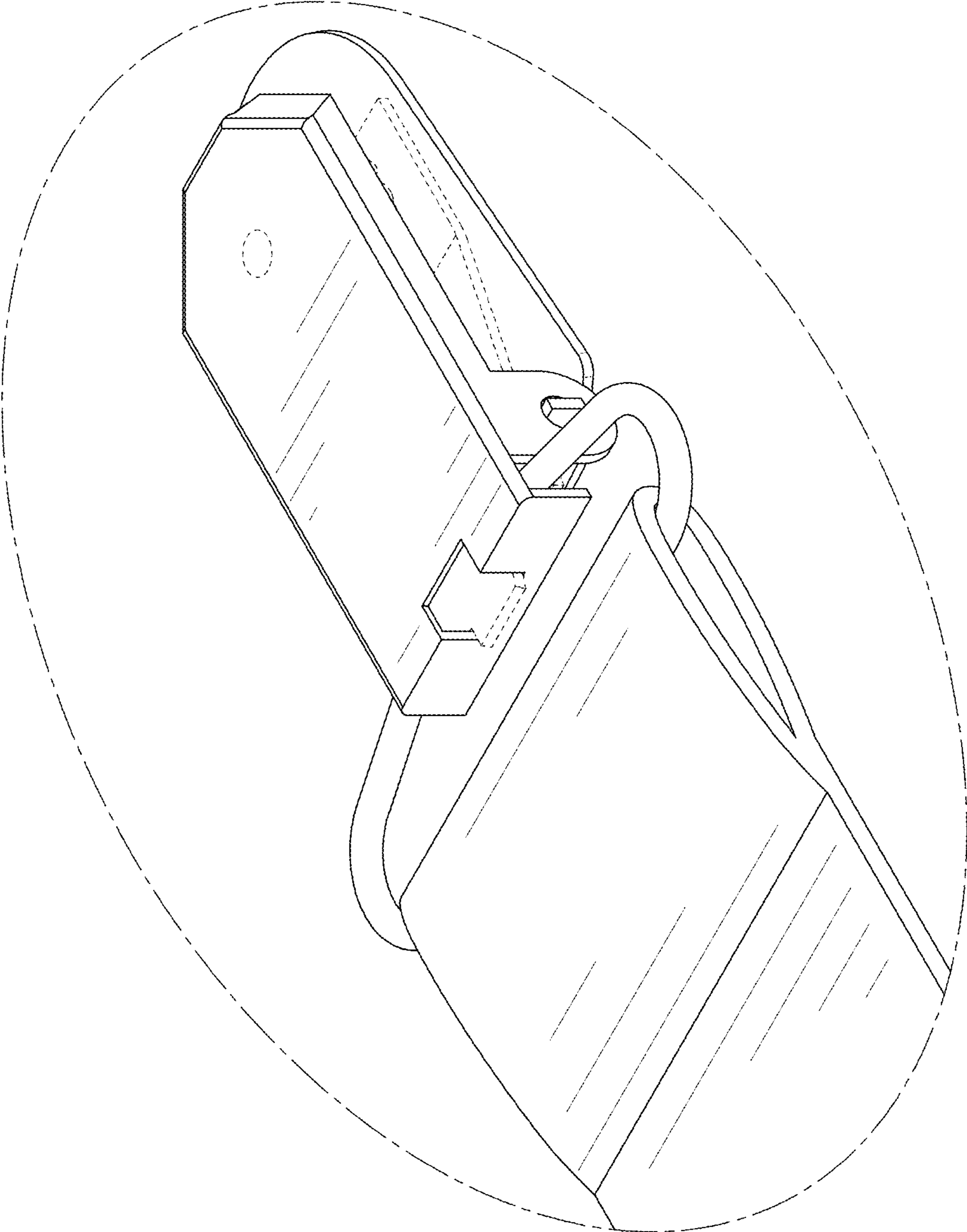


FIG. 9