



US00D883078S

(12) **United States Design Patent**
Ma et al.

(10) **Patent No.:** **US D883,078 S**

(45) **Date of Patent:** **** May 5, 2020**

- (54) **CHAIN CLIP**
- (71) Applicant: **Peer Chain Company**, Waukegan, IL (US)
- (72) Inventors: **Songhua Ma**, Lincolnshire, IL (US); **Jeremy Michael Fogo**, McHenry, IL (US); **Glenn Spungen**, Lake Forest, IL (US); **John J. Alberts**, Highland Park, IL (US)
- (73) Assignee: **PEER CHAIN COMPANY**, Waukegan, IL (US)

- 2,729,058 A * 1/1956 Dock F16G 15/02 59/86
- 2,805,277 A * 9/1957 Moeller H01B 17/145 174/161 R
- 2,835,002 A * 5/1958 Majewski E04G 7/18 403/398
- 3,056,309 A * 10/1962 Horste B62D 55/211 474/218
- 3,180,001 A * 4/1965 Nash D06C 3/04 26/93
- 3,202,266 A * 8/1965 Schmermund B65G 17/08 198/850
- 3,234,622 A * 2/1966 Nash D06C 3/04 26/93

(Continued)

(**) Term: **15 Years**

(21) Appl. No.: **29/601,794**

(22) Filed: **Apr. 26, 2017**

(51) **LOC (12) Cl.** **08-08**

(52) **U.S. Cl.**
USPC **D8/394**

(58) **Field of Classification Search**
USPC D8/349, 356, 382, 386, 390, 394, 499
CPC B65H 57/16; B63B 21/04; B63B 21/18; B63B 21/20; Y10T 24/3918; Y10T 24/243902; Y10T 24/3916; Y10T 24/3924; F16G 13/00; F16G 13/06; F16G 15/00; F16G 15/151; F16G 15/14
See application file for complete search history.

(56) **References Cited**

U.S. PATENT DOCUMENTS

- 321,361 A * 6/1885 Huber et al. F16G 13/02 474/233
- D24,663 S * 9/1895 Devlin et al. D8/394
- 593,872 A * 11/1897 Barnhart et al. F16G 13/06 474/218
- 1,796,607 A * 3/1931 McDowell B60C 27/06 24/577.1
- 1,886,926 A * 11/1932 Walter B65G 17/063 198/851

OTHER PUBLICATIONS

Images of Bar-Loop Type Clip, available as early as Jan. 16, 2017.
(Continued)

Primary Examiner — Steven J Czyn
(74) *Attorney, Agent, or Firm* — Michael Best & Friedrich LLP

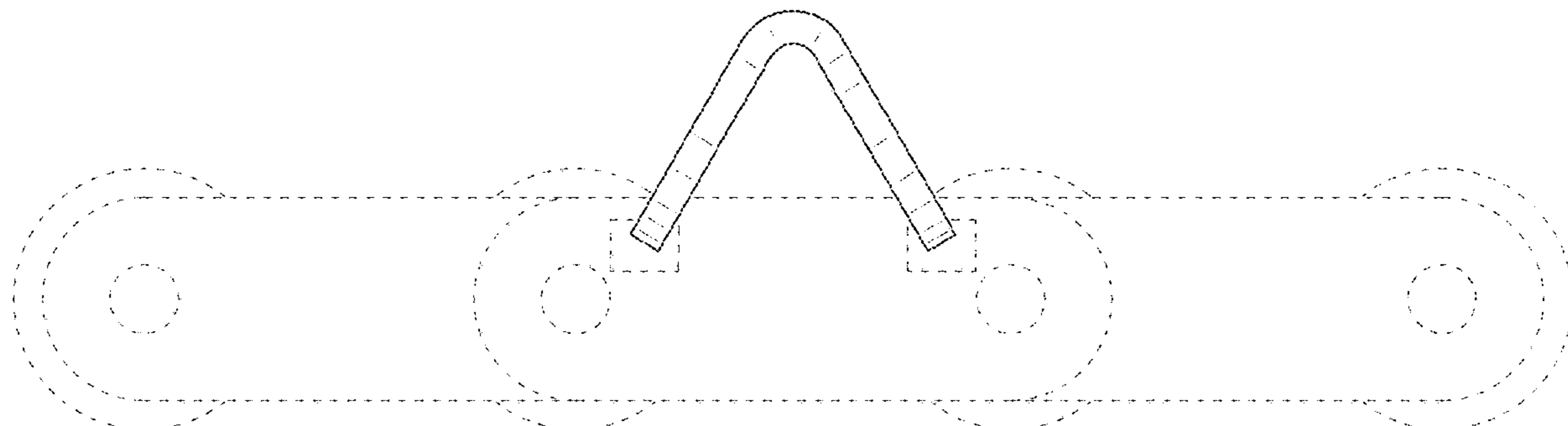
(57) **CLAIM**

We claim the ornamental design for a chain clip, as shown and described.

DESCRIPTION

FIG. 1 is right side view of a chain clip embodying the present invention with the left side view being a mirror image.
FIG. 2 is front view of the chain clip of FIG. 1 with the rear view being a mirror image.
FIG. 3 is a top view of the chain clip of FIG. 1; and, FIG. 4 is a bottom view of the chain clip of FIG. 1.
The broken lines illustrate environment and form no part of the claimed design.

1 Claim, 4 Drawing Sheets



(56)

References Cited

U.S. PATENT DOCUMENTS

3,303,729 A * 2/1967 Webb B60C 27/06
81/15.8
3,834,067 A * 9/1974 Koleczek A63H 33/084
446/69
D248,924 S * 8/1978 Curtis D8/382
D277,548 S * 2/1985 Halsnes D11/87
D278,199 S * 4/1985 Richards D6/512
D279,160 S * 6/1985 Hunt D7/411
D282,338 S * 1/1986 Putt D7/504
4,653,645 A * 3/1987 Thomas A47G 19/30
206/549
D310,780 S * 9/1990 Kelley D8/356
D334,111 S * 3/1993 Yockey D7/504
D350,671 S * 9/1994 Asner D7/504
D381,516 S * 7/1997 Andryzeck D3/327
6,644,604 B1 * 11/2003 Young A63B 55/57
248/96

D518,704 S * 4/2006 Miao D14/447
D565,389 S * 4/2008 Harmon D8/356
D565,402 S * 4/2008 Curran D8/499
D665,249 S * 8/2012 Hernandez D8/499
D696,570 S * 12/2013 Mirer D8/349
D737,128 S * 8/2015 Chang D8/382
D801,782 S * 11/2017 Wall D8/356
D805,886 S * 12/2017 Shackelford D8/389
D811,869 S * 3/2018 Gallion D8/394
D840,799 S * 2/2019 Haftarski D8/398
2004/0247381 A1 * 12/2004 Bruckner F01N 13/1805
403/286
2009/0297309 A1 * 12/2009 Stover B60P 1/38
414/491

OTHER PUBLICATIONS

Images of Channel Bar Type Clip, available as early as Jan. 16, 2017.

* cited by examiner

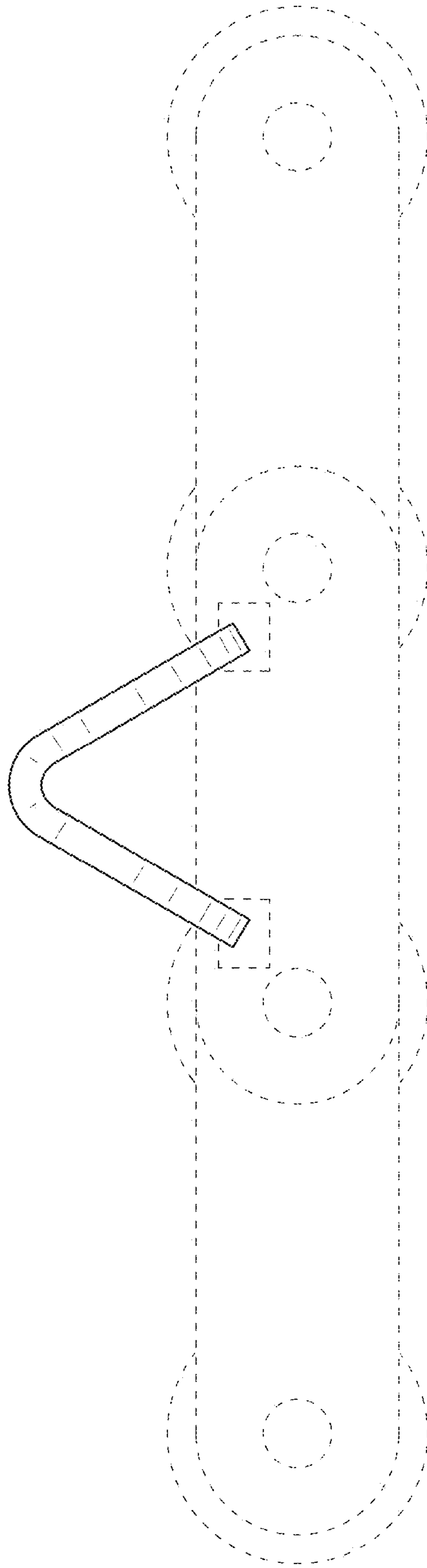


FIG. 1

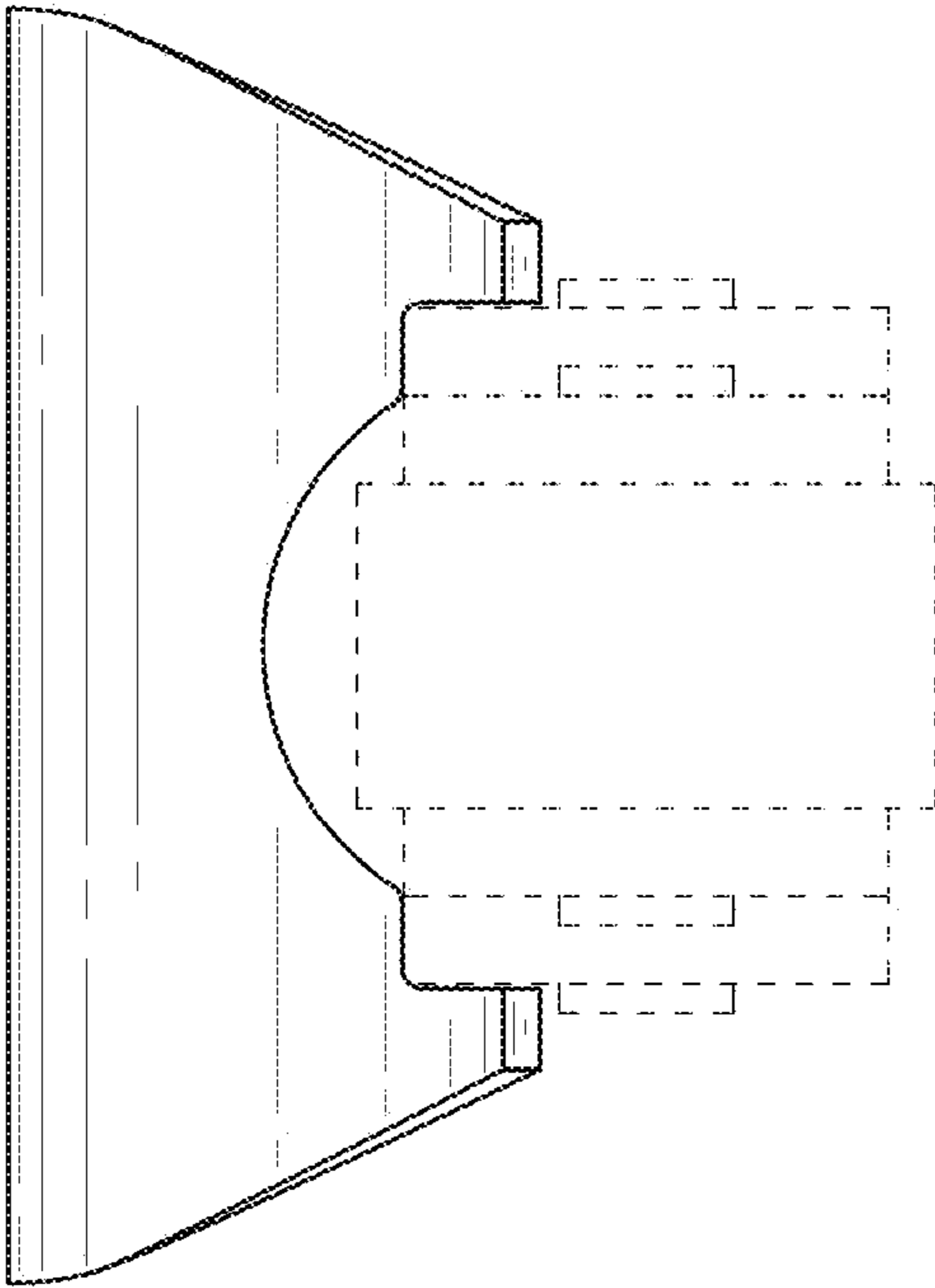


FIG. 2

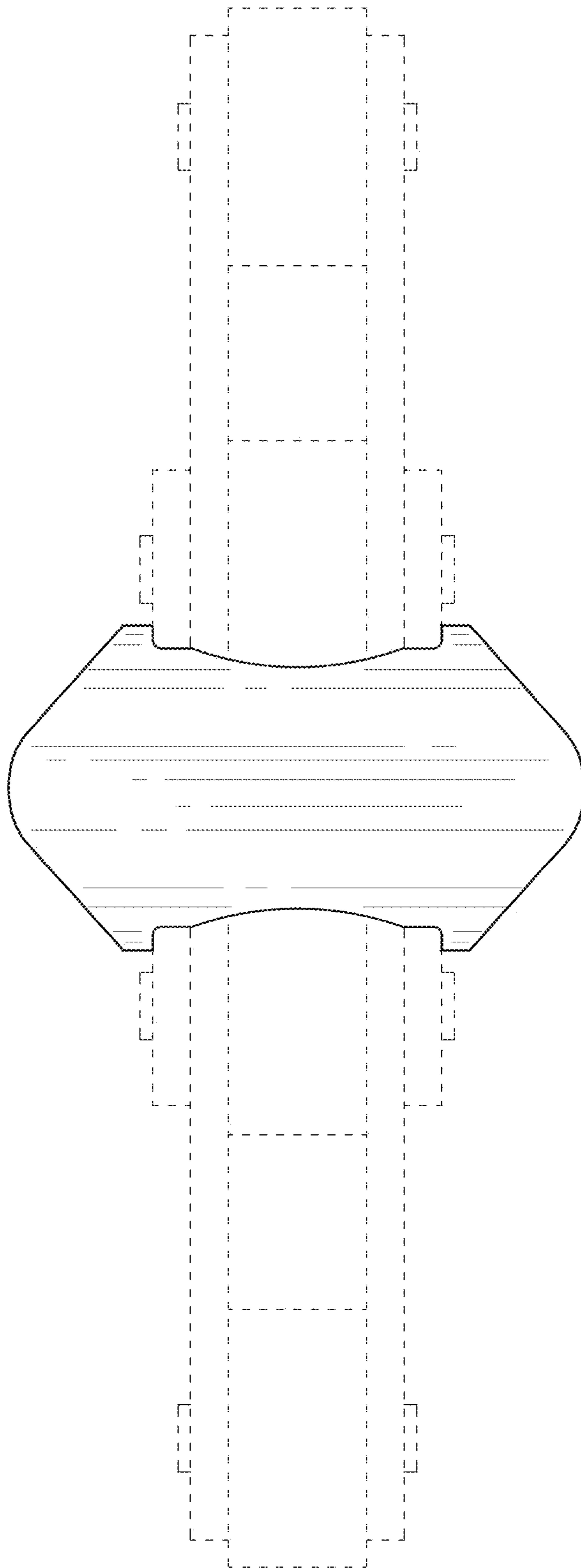


FIG. 3

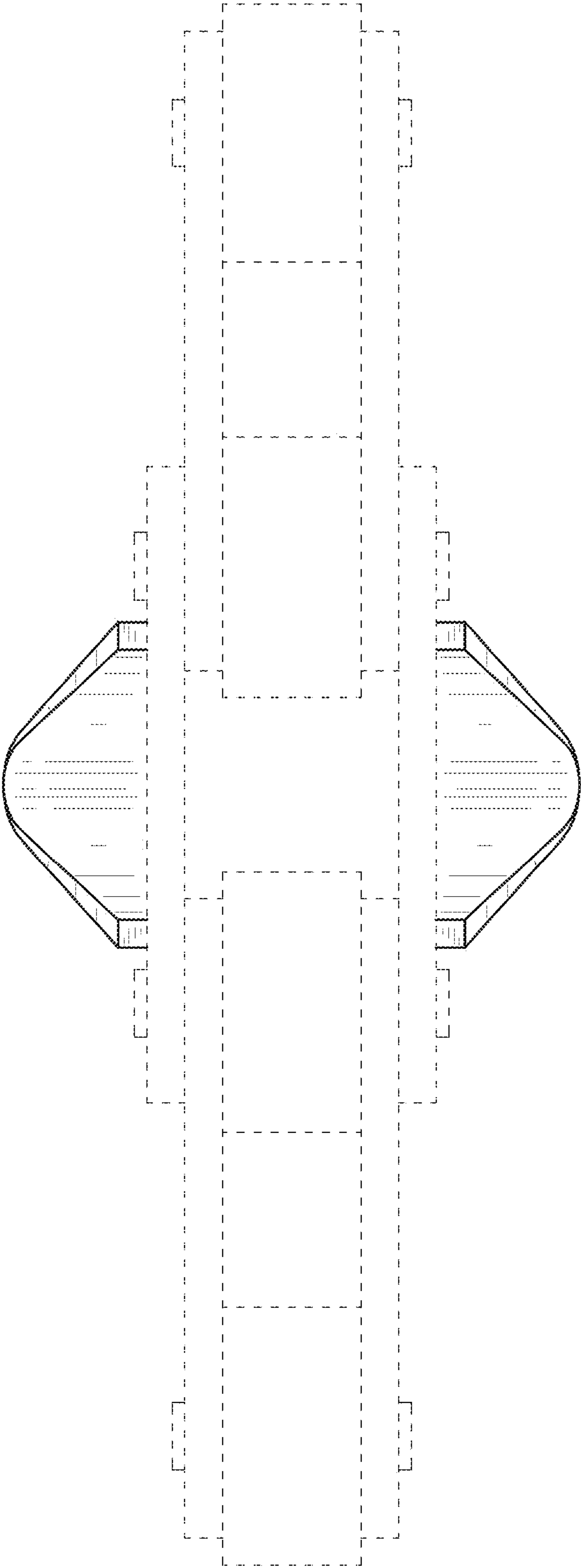


FIG. 4