



US00D883077S

(12) **United States Design Patent**
Koelling et al.

(10) **Patent No.:** **US D883,077 S**
(45) **Date of Patent:** **** May 5, 2020**

(54) **CLIP LOCK FASTENER**
(71) Applicant: **Lockdowel, Inc.**, Fremont, CA (US)
(72) Inventors: **Fred Koelling**, Foster City, CA (US);
Bryan Koelling, Carmel Valley, CA (US); **Daniel Savage**, San Mateo, CA (US)

3,674,068 A 7/1972 Lucci
3,752,553 A 8/1973 Bildahl
3,894,377 A 7/1975 Welch
4,025,216 A * 5/1977 Hives F16B 12/26
403/381
4,199,907 A 4/1980 Bains
(Continued)

(73) Assignee: **Lockdowel, Inc.**, Fremont, CA (US)
(**) Term: **15 Years**

FOREIGN PATENT DOCUMENTS
CA 2280528 A1 4/2000
CN 103216505 A 7/2013
(Continued)

(21) Appl. No.: **29/698,046**
(22) Filed: **Jul. 12, 2019**

OTHER PUBLICATIONS

International Search Report, dated Nov. 29, 2016, for corresponding International Application No. PCT/US2016/043206.
(Continued)

Related U.S. Application Data

(63) Continuation of application No. 15/802,288, filed on Nov. 2, 2017, which is a continuation of application No. 15/215,508, filed on Jul. 20, 2016, now Pat. No. 9,810,253.

Primary Examiner — Sandra S Snapp
Assistant Examiner — Ieisha N Price
(74) *Attorney, Agent, or Firm* — Intellectual Property Law Group LLP

(51) **LOC (12) Cl.** **08-08**
(52) **U.S. Cl.**
USPC **D8/382; D8/387**

(58) **Field of Classification Search**
USPC D8/349, 354, 372, 382, 385, 387, 388, D8/389, 391; D6/328, 329, 703, 572, D6/622, 702, 705
CPC F16B 12/20; F16B 12/22; F16B 12/24; F16B 12/26; F16B 12/125; F16B 12/10; F16B 2012/103; F16B 2012/106; A47B 47/04; A47B 47/025; A47B 47/042; A47B 2230/0077; A47B 2230/0081; A47B 47/0025; A47B 96/06; A47F 5/10; A61B 17/064; A61B 17/068
See application file for complete search history.

(57) **CLAIM**

The ornamental design for a clip lock fastener, as shown and described.

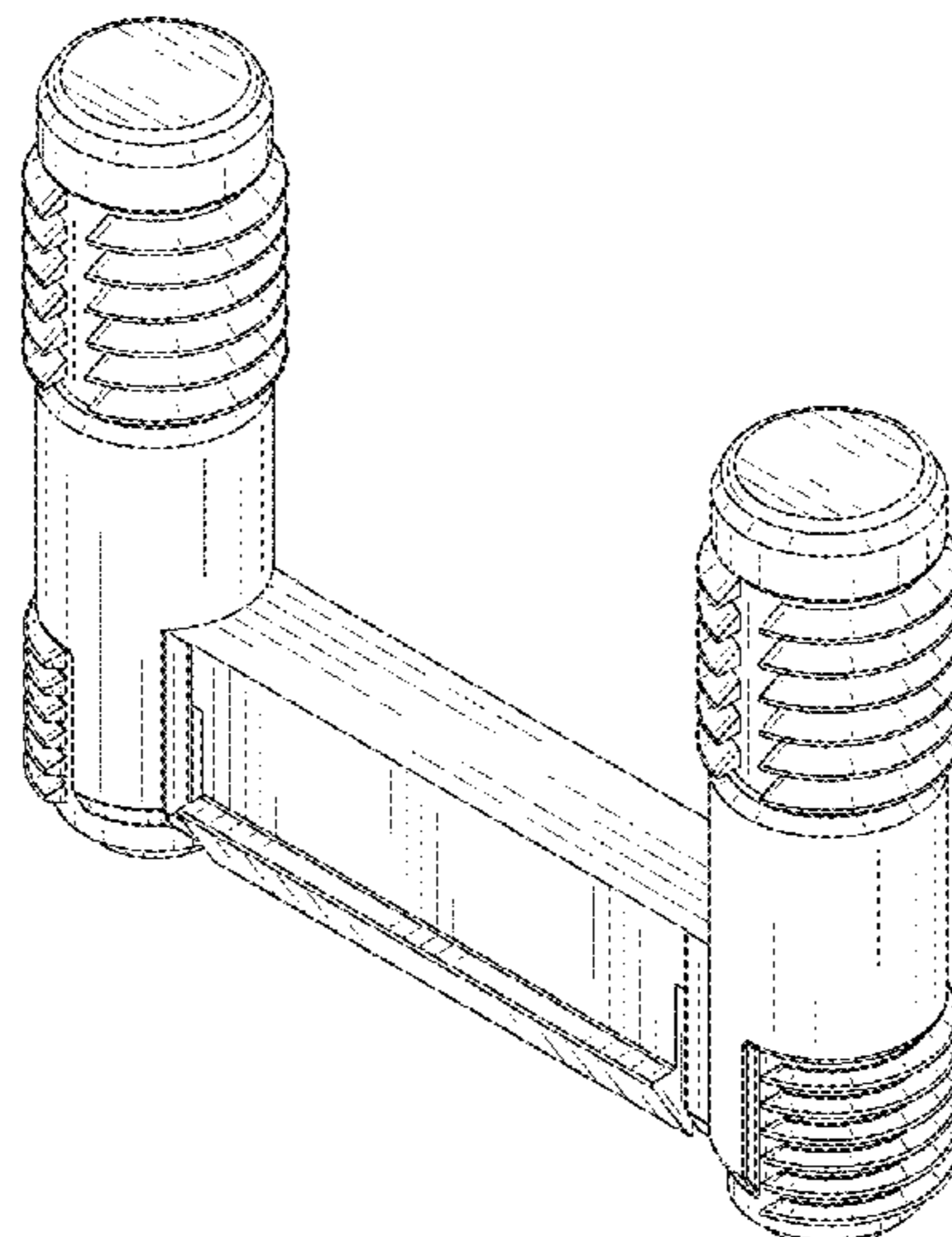
DESCRIPTION

FIG. 1 is perspective view of a clip lock fastener embodying our new design;
FIG. 2 is a front elevational view thereof; the rear elevational view being a mirror image thereof;
FIG. 3 is a sectional view take along line 3-3 in FIG. 2;
FIG. 4 is a right side elevational view thereof; the left side elevational view being a mirror image thereof;
FIG. 5 is a top plan view thereof; and,
FIG. 6 is a bottom plan view thereof.

(56) **References Cited**
U.S. PATENT DOCUMENTS

979,853 A 12/1910 Hartshorn
3,310,327 A 3/1967 Tremblay

1 Claim, 2 Drawing Sheets



(56)

References Cited

U.S. PATENT DOCUMENTS

4,258,464 A 3/1981 Ullman
 4,292,003 A * 9/1981 Pond F16B 5/10
 403/231
 4,332,205 A 6/1982 Corl
 4,402,117 A * 9/1983 Kitagawa F16B 5/10
 24/595.1
 4,634,309 A * 1/1987 Dewey F16B 12/24
 403/231
 D294,676 S * 3/1988 Egner D8/382
 4,846,538 A * 7/1989 Rock A47B 88/956
 312/263
 4,874,212 A * 10/1989 Rock A47B 88/956
 312/330.1
 4,902,080 A * 2/1990 Berger A47B 88/00
 312/348.4
 4,922,678 A 5/1990 Scheiwiller
 4,932,105 A 6/1990 Muller
 4,942,709 A 7/1990 Waldron
 D309,985 S * 8/1990 Cox D6/300
 5,090,835 A 2/1992 Cox
 5,150,865 A * 9/1992 Miller F16B 21/088
 248/220.41
 5,251,996 A * 10/1993 Hiller F16B 12/10
 403/292
 5,380,119 A 1/1995 Hadden
 D356,729 S * 3/1995 Kassouni D8/387
 5,407,310 A * 4/1995 Kassouni B29C 70/76
 29/525.02
 5,430,983 A 7/1995 Taipalensuu
 5,611,637 A * 3/1997 Brustle A47B 88/00
 403/297
 5,636,934 A 6/1997 Nakanishi et al.
 D384,271 S * 9/1997 Kozyrski D6/300
 5,895,103 A * 4/1999 Huber A47B 88/956
 312/348.4
 5,934,486 A 8/1999 Jarvis
 6,000,186 A 12/1999 Fielding
 6,141,837 A 11/2000 Wisniewski
 6,186,698 B1 2/2001 Knapp
 6,234,596 B1 5/2001 Egger
 6,389,742 B1 5/2002 Wuster
 6,761,008 B2 7/2004 Chen et al.
 7,225,751 B2 6/2007 Rueckert
 8,104,989 B2 1/2012 Liu et al.

8,291,594 B2 10/2012 Etling
 8,549,796 B2 10/2013 Heather
 8,608,407 B1 12/2013 Vaughn et al.
 8,641,315 B2 2/2014 Liu et al.
 9,051,953 B2 6/2015 Imel et al.
 D820,073 S * 6/2018 Iacono D8/382
 D857,487 S * 8/2019 Thompson D8/390
 2003/0026651 A1 2/2003 Ley
 2004/0067098 A1 4/2004 Sun
 2004/0223805 A1 11/2004 Benedetti et al.
 2005/0097851 A1 5/2005 Lubera et al.
 2006/0174579 A1 8/2006 Matson
 2008/0159806 A1 7/2008 Niswonger
 2010/0079045 A1 4/2010 Yeh
 2010/0254757 A1 10/2010 Saul
 2011/0085853 A1 4/2011 Liu
 2011/0255915 A1 10/2011 Chen et al.
 2012/0301217 A1 11/2012 Liu et al.
 2012/0321378 A1 12/2012 Velez et al.
 2013/0239509 A1 9/2013 Wang
 2013/0287484 A1 10/2013 Phillips
 2014/0150368 A1 6/2014 MacDonald
 2014/0294498 A1 10/2014 Logan
 2015/0147113 A1 5/2015 Crabtree
 2015/0219137 A1 * 8/2015 Koelling F16B 19/002
 29/453
 2017/0023041 A1 * 1/2017 Koelling F16B 12/24
 2017/0023043 A1 * 1/2017 Koelling F16B 12/125
 2018/0031019 A1 * 2/2018 Sjostedt F16B 12/22
 2018/0220798 A1 * 8/2018 Koelling A47B 88/427
 2019/0003505 A1 * 1/2019 Cattaneo A47B 91/026
 2019/0211859 A1 * 7/2019 Liu F16B 12/125
 2019/0242420 A1 * 8/2019 Dietrich F16B 12/20

FOREIGN PATENT DOCUMENTS

DE 295 11 055 2/1996
 DE 10 2011 122 697 6/2013
 WO WO 2015158622 A1 10/2015
 WO WO 2016/133455 A1 8/2016

OTHER PUBLICATIONS

Written Opinion of the International Searching Authority, dated Nov. 29, 2016, for corresponding International Application No. PCT/US2016/043206.

* cited by examiner

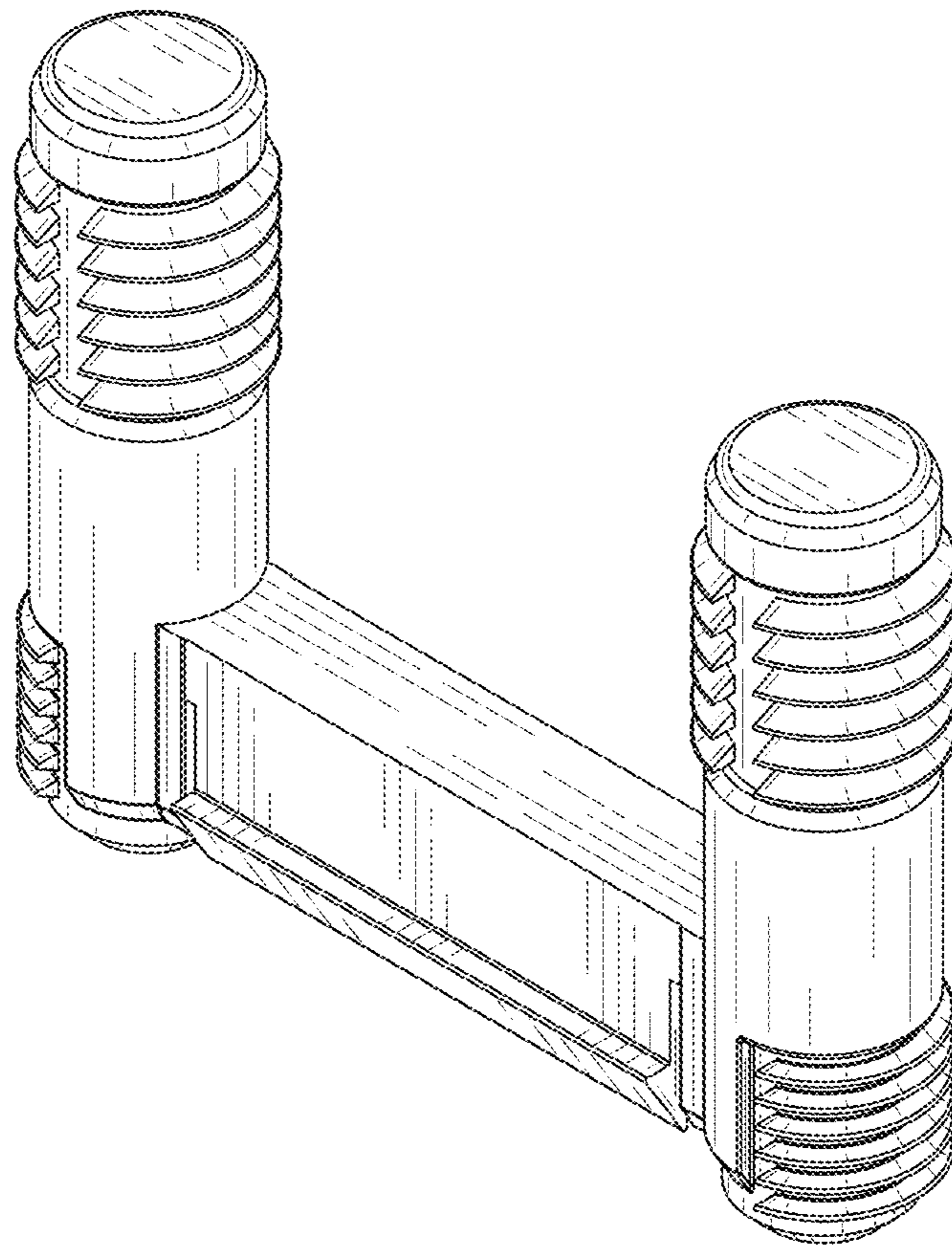


FIG. 1

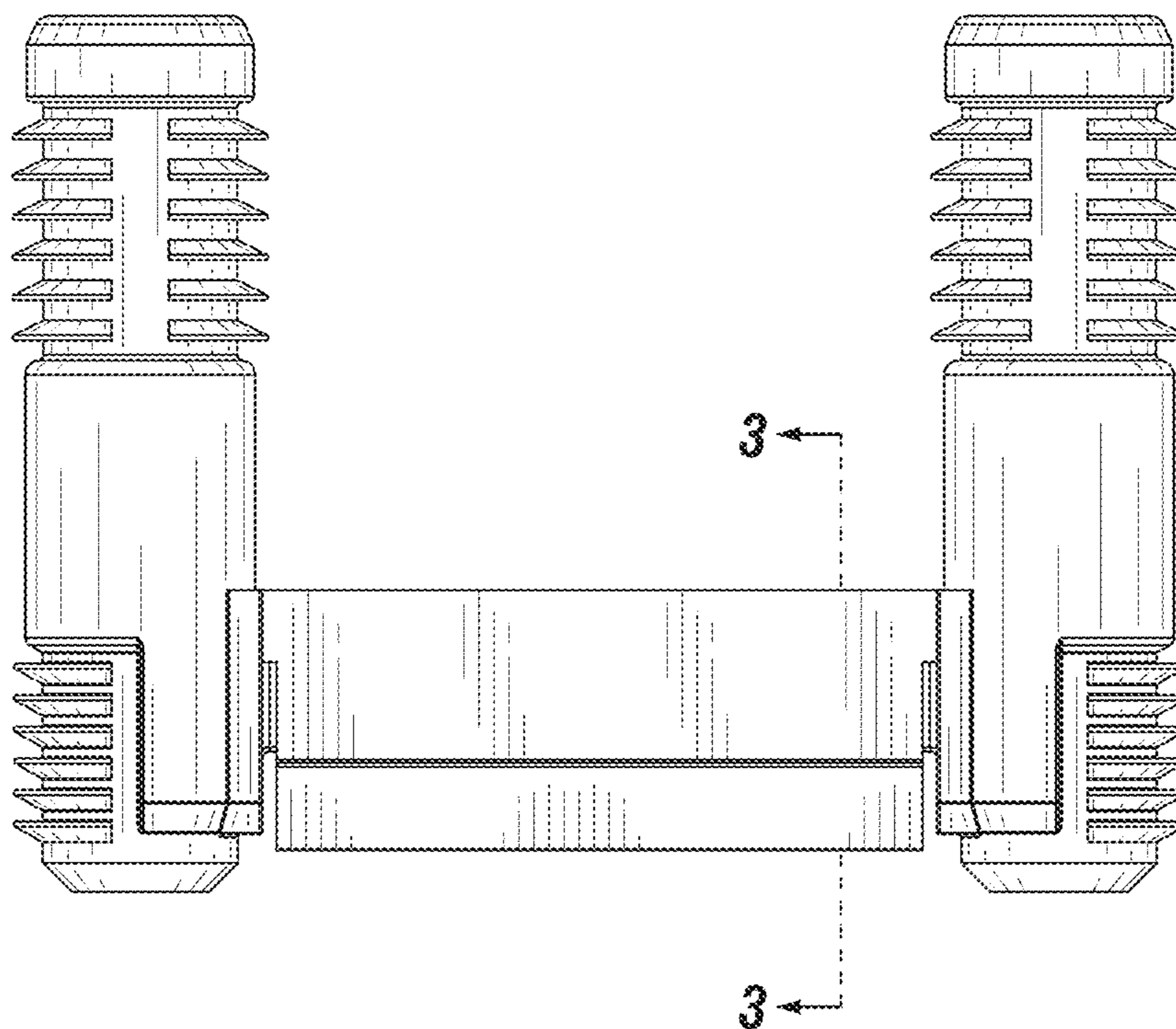


FIG. 2

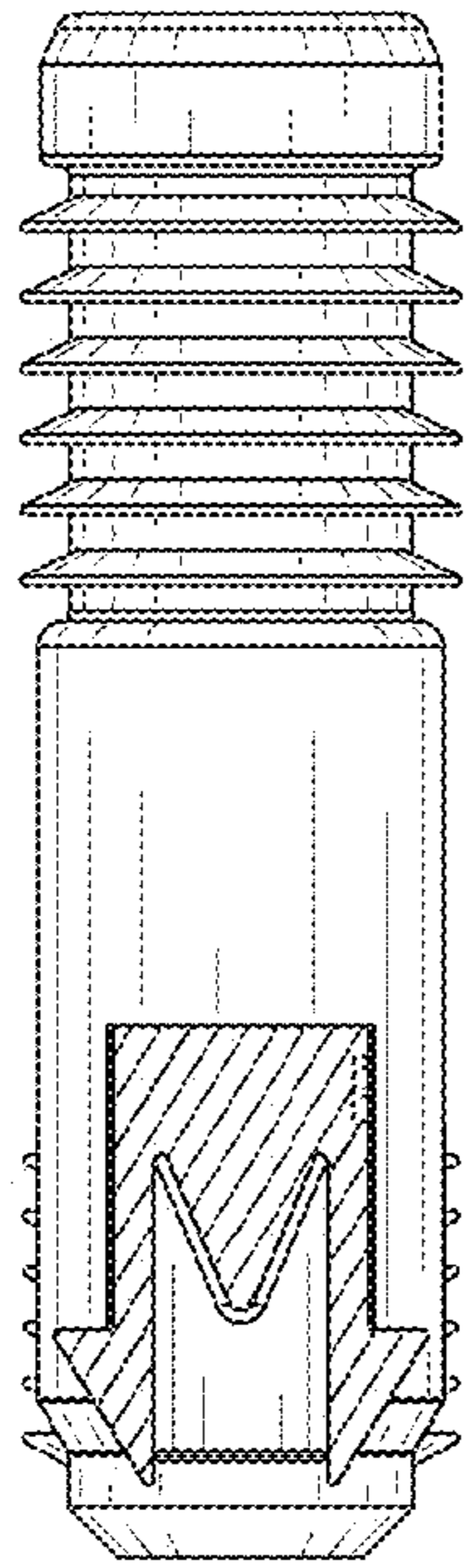


FIG. 3

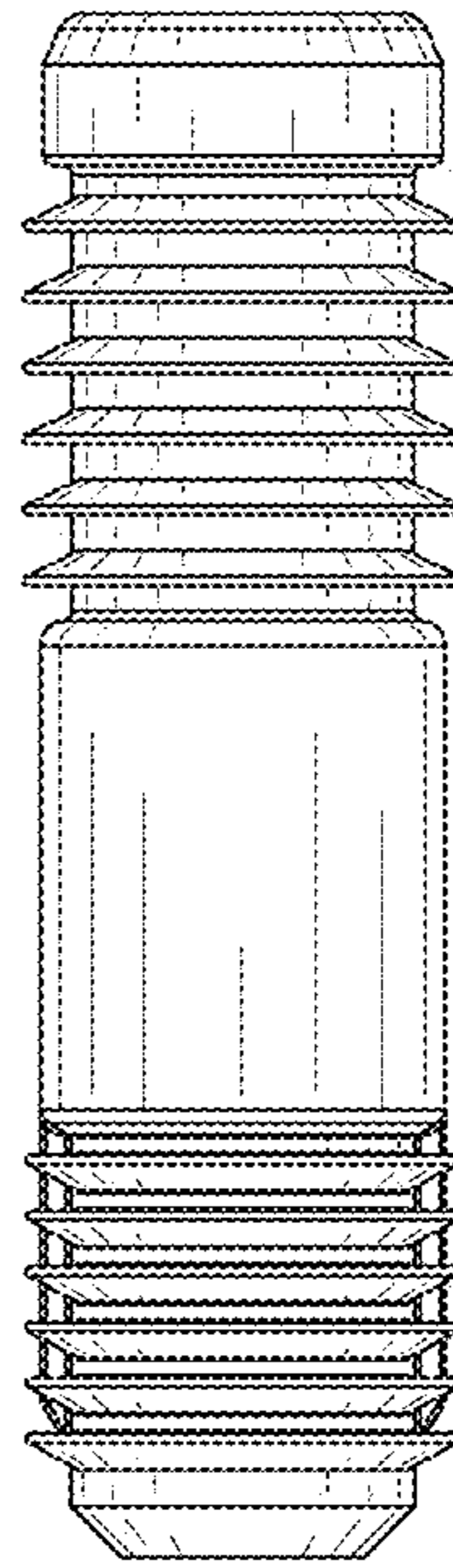


FIG. 4

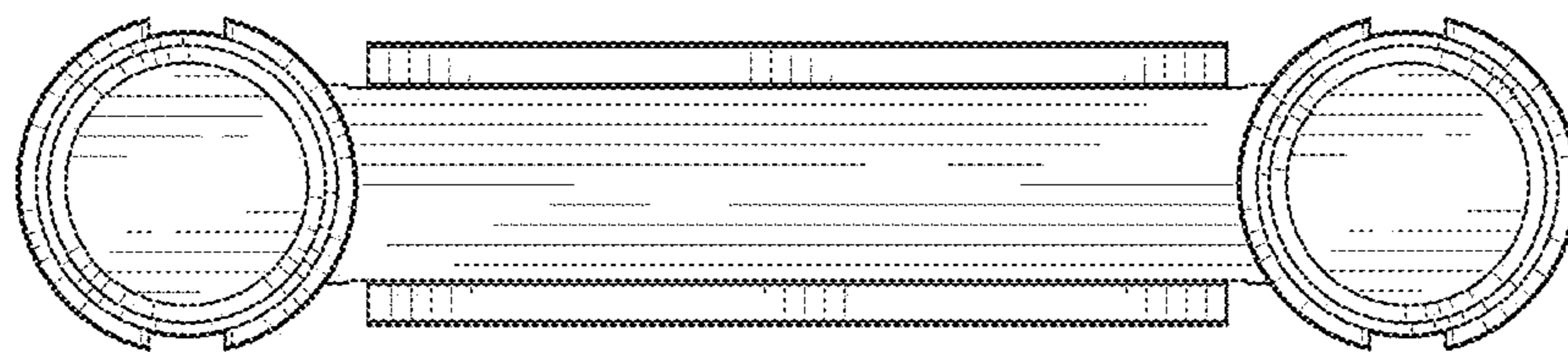


FIG. 5

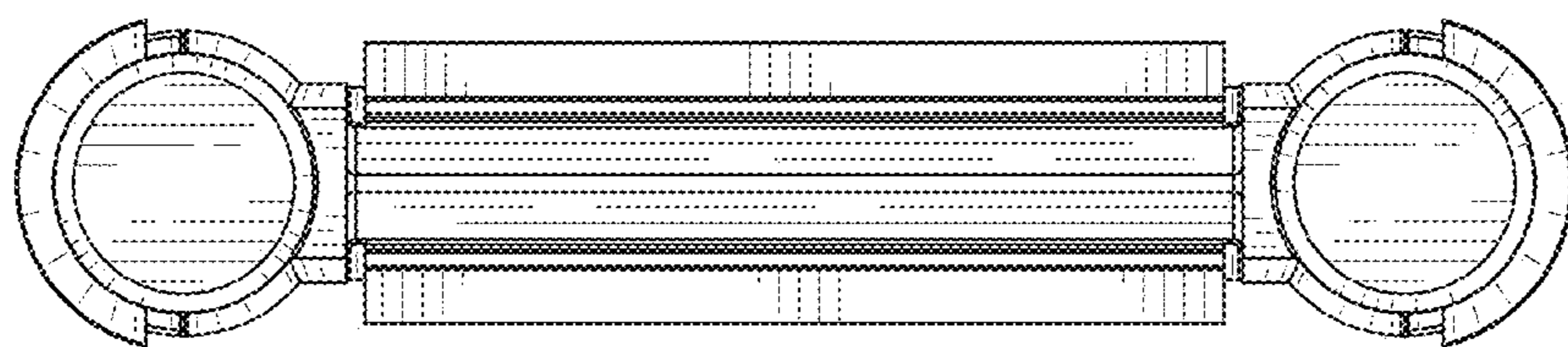


FIG. 6