



US00D883075S

(12) **United States Design Patent** (10) **Patent No.:** **US D883,075 S**
Roe et al. (45) **Date of Patent:** **** May 5, 2020**

(54) **FINIAL**
(71) Applicant: **Royal Finishing Company, Ltd.,**
Chonburi (TH)
(72) Inventors: **Megan Roe, Kennesaw, GA (US); Neil**
Varlamoff, Kennesaw, GA (US)
(73) Assignee: **Royal Finishing Company, Ltd.,**
Chonburi (TH)

D694,147 S * 11/2013 Richter D11/89
D698,259 S * 1/2014 Ngjelo D9/546
D789,747 S * 6/2017 Hume D7/509
D790,924 S * 7/2017 Hume D7/523
D832,532 S * 10/2018 Geller D30/160
D847,965 S * 5/2019 Wang D23/366
2007/0004542 A1 * 1/2007 Park A63B 41/08
473/604
2007/0163185 A1 * 7/2007 Morley E04B 1/3205
52/81.1
2008/0070727 A1 * 3/2008 Avis A63B 41/08
473/604

(**) Term: **15 Years**

* cited by examiner

(21) Appl. No.: **29/689,094**

Primary Examiner — Keli L Hill

(22) Filed: **Apr. 26, 2019**

Assistant Examiner — Harold E Blackwell, II

(51) **LOC (12) Cl.** **08-08**

(74) *Attorney, Agent, or Firm* — Cardinal Law Group

(52) **U.S. Cl.**
USPC **D8/378**

(57) **CLAIM**

The ornamental design for a finial, as shown and described.

(58) **Field of Classification Search**
USPC D8/378, 380, 373, 376, 307, 353, 352,
D8/367, 301, 310; D23/250, 238, 407;
D26/154
CPC B44C 5/00; B44C 5/04; B44C 5/0461;
A47H 2001/006
See application file for complete search history.

DESCRIPTION

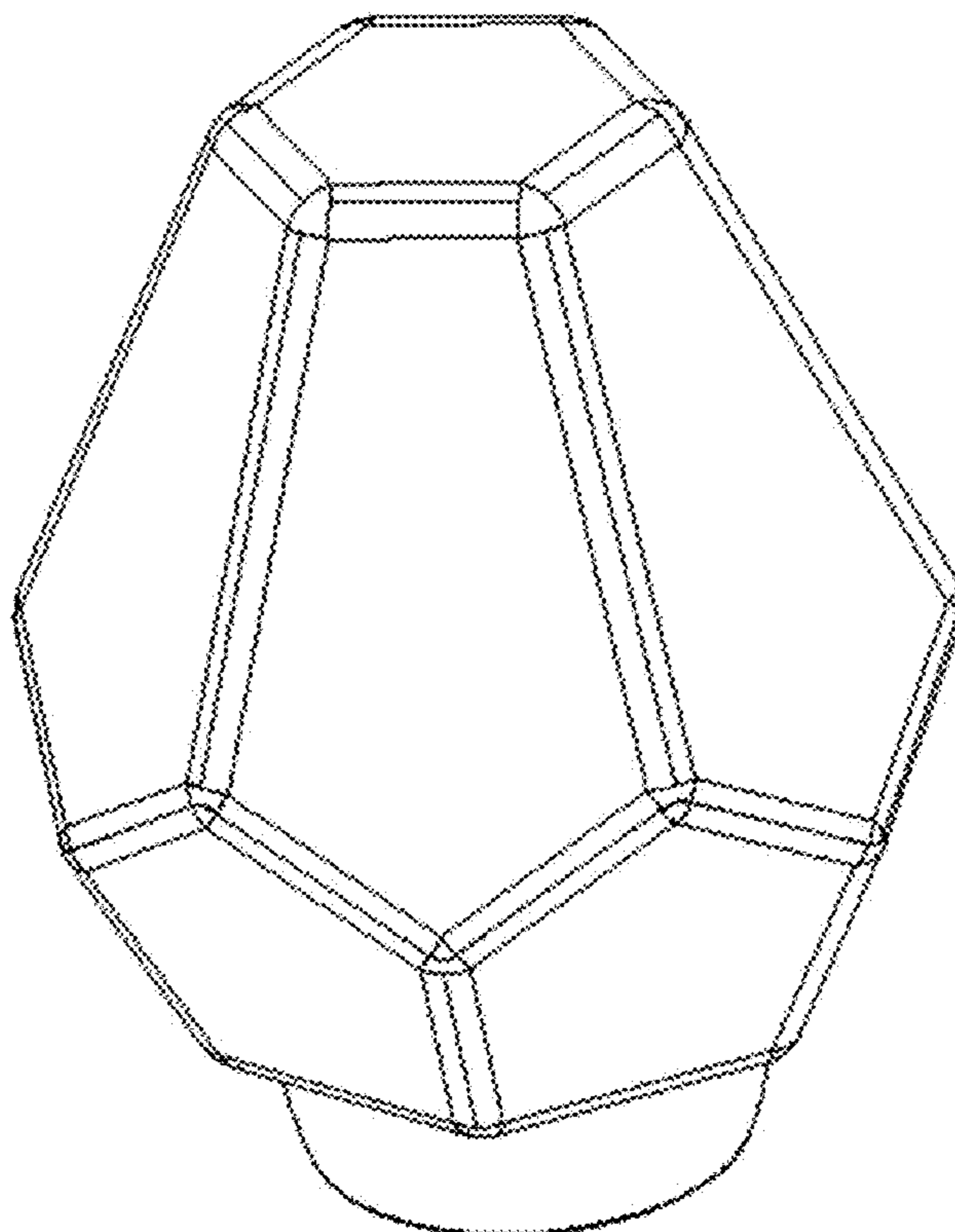
FIG. 1 is a perspective view of a finial;
FIG. 2 is a bottom plan view of the finial of FIG. 1;
FIG. 3 is a top plan view of the finial of FIG. 1;
FIG. 4 is a front elevational view of the finial of FIG. 1; and,
FIG. 5 is a left side elevational view of the finial of FIG. 1.
The back elevational view is a mirror image the front
elevational view. The right side elevational view is a mirror
image the left side elevational view.
The broken lines in the drawings illustrate portions of the
finial which form no part of the claimed design.

(56) **References Cited**

U.S. PATENT DOCUMENTS

D399,611 S * 10/1998 Ericson D30/124
D515,728 S * 2/2006 Yando D26/142
D581,834 S * 12/2008 Oakley D11/181

1 Claim, 2 Drawing Sheets



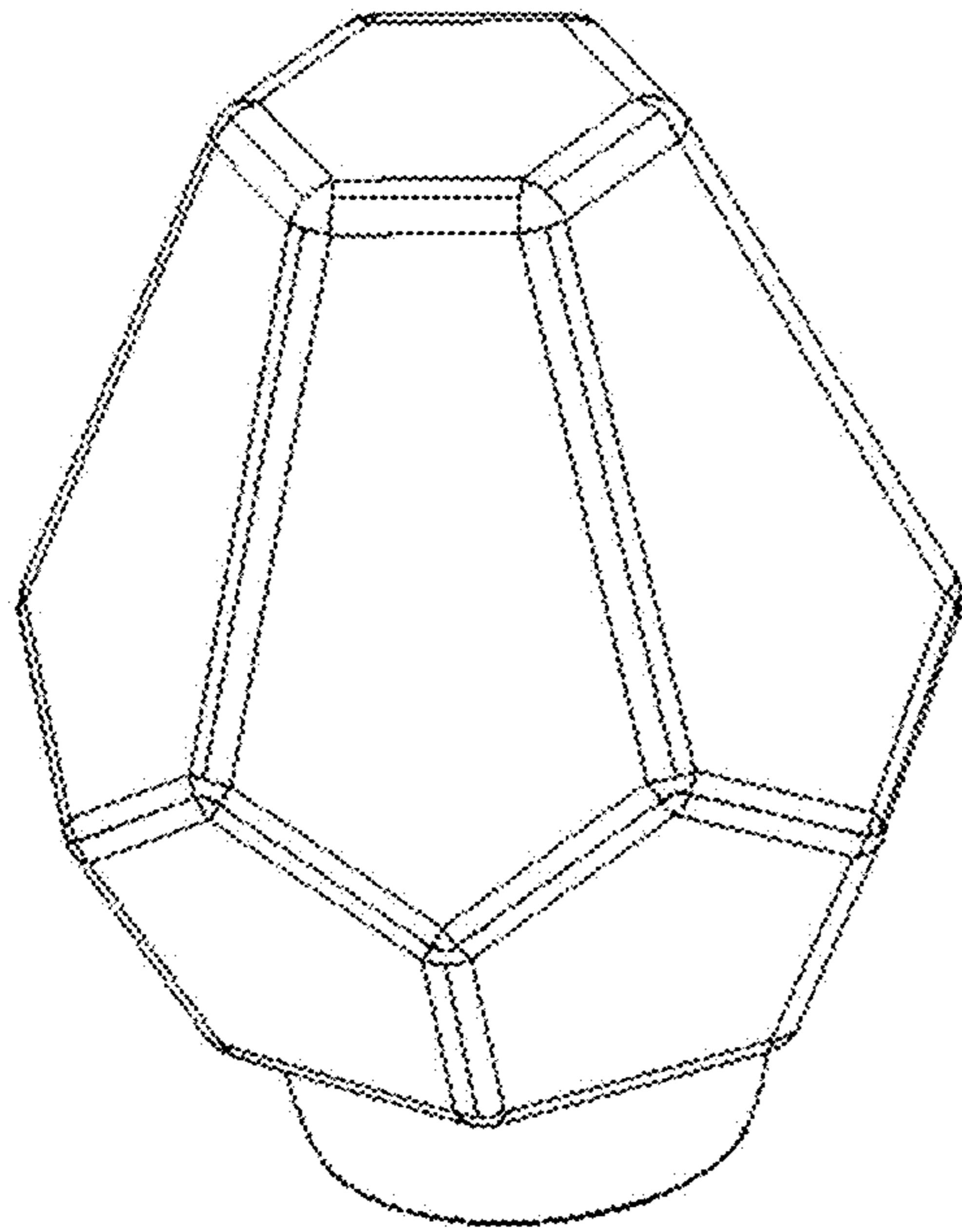


FIG. 1

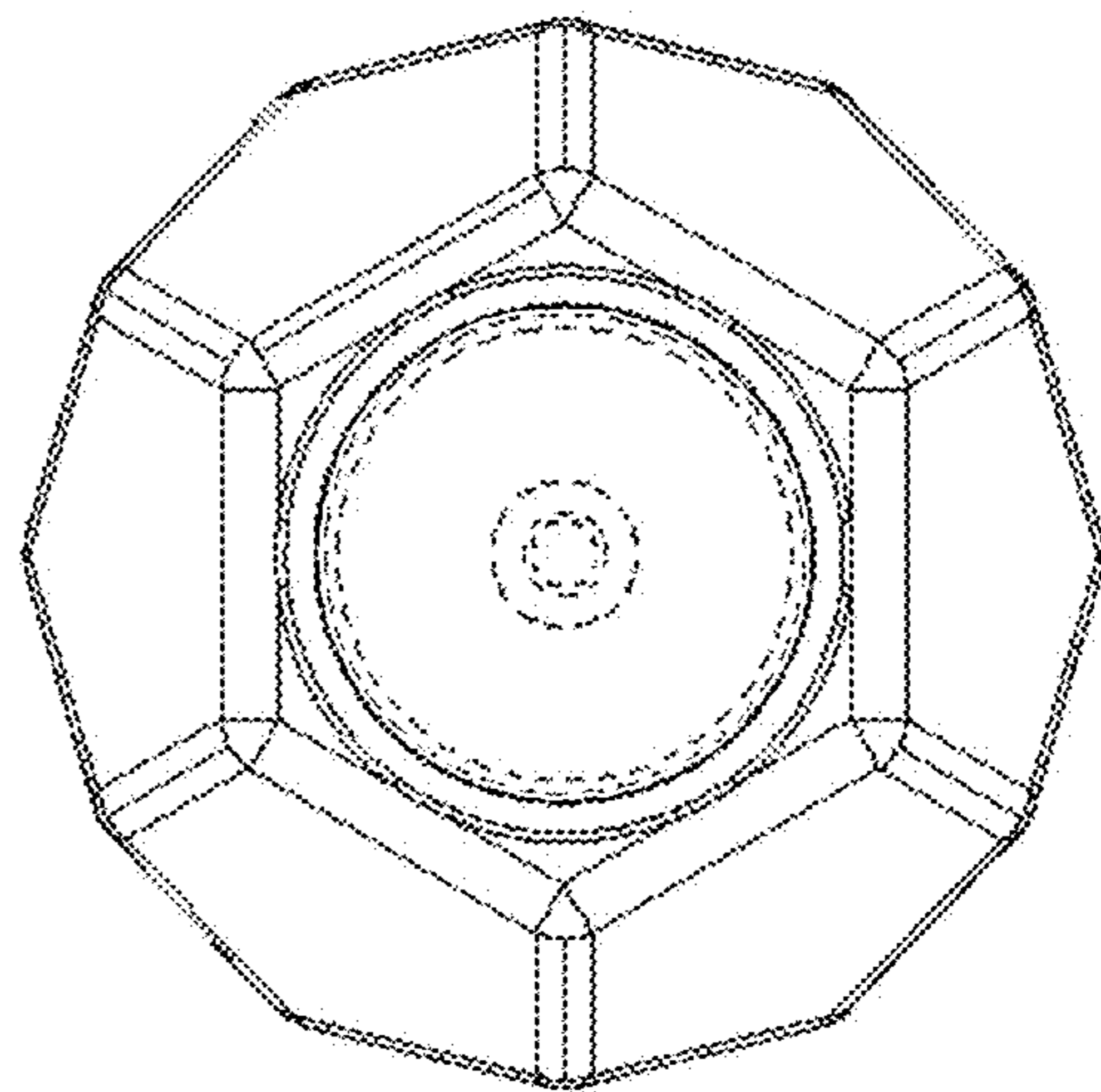


FIG. 2

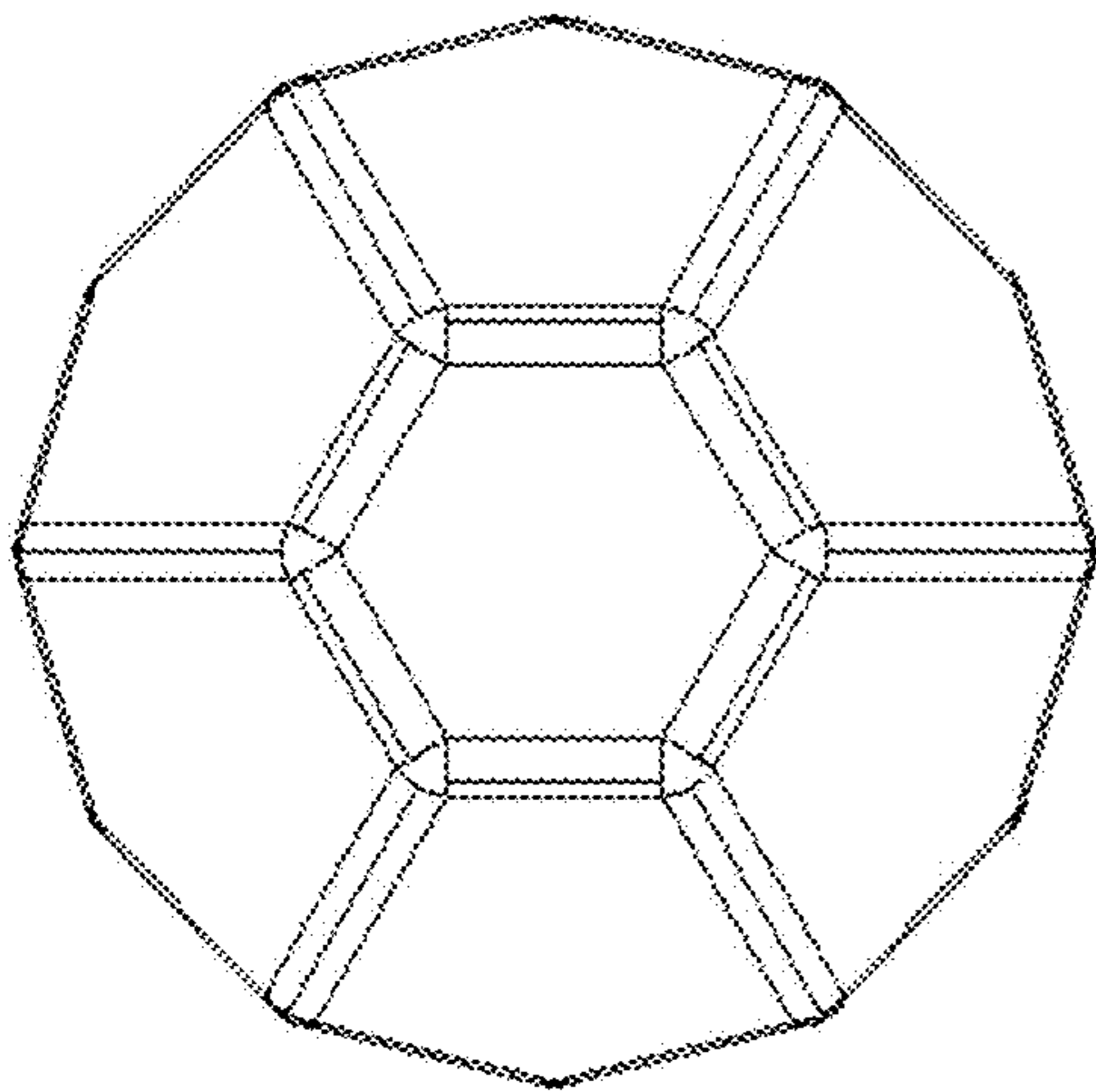


FIG. 3

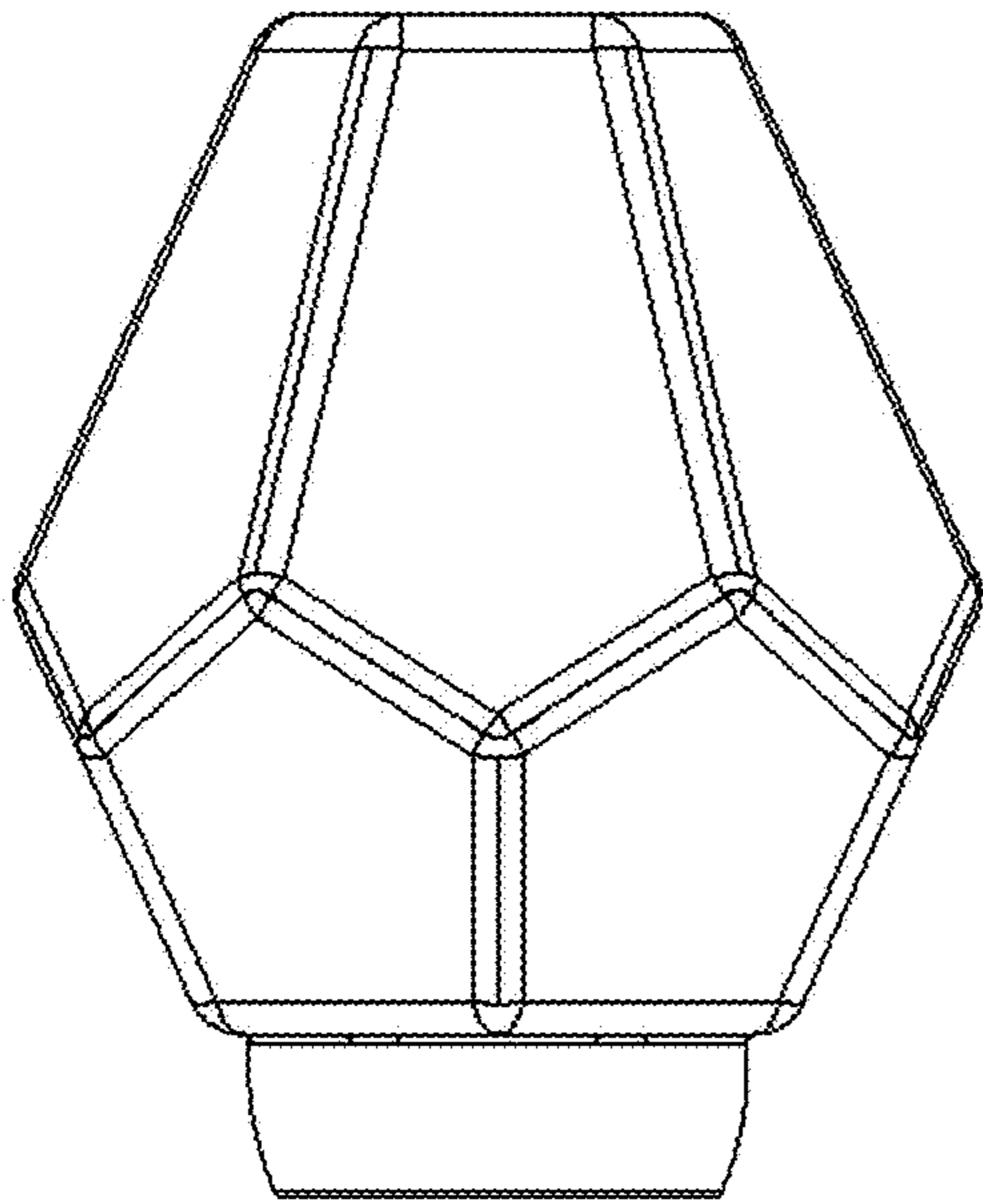


FIG. 4

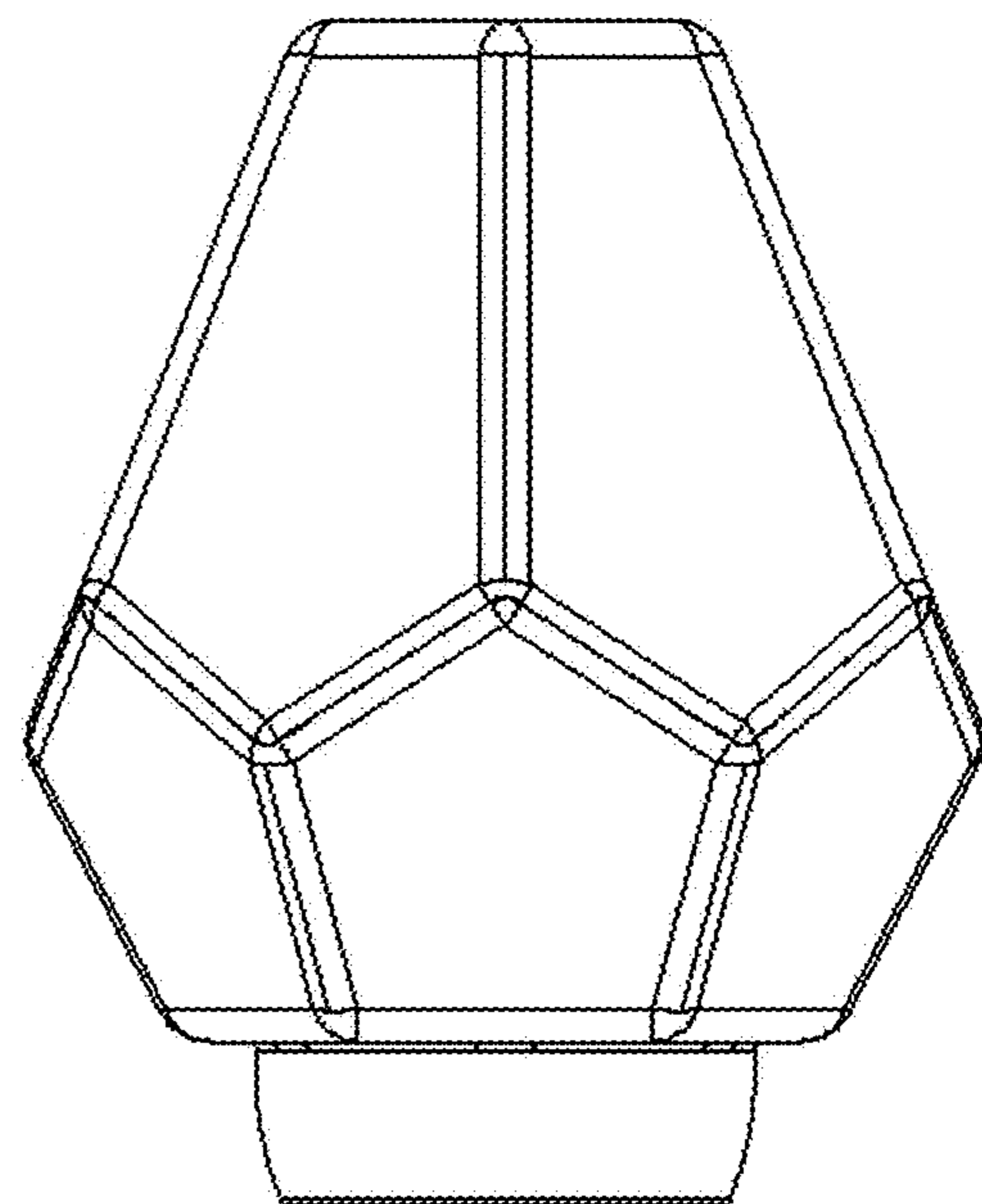


FIG. 5