



US00D883071S

(12) **United States Design Patent**  
**Pratt**

(10) **Patent No.:** **US D883,071 S**

(45) **Date of Patent:** **\*\* May 5, 2020**

(54) **SUPPORT FOR BOATING ACCESSORIES**

8,434,982 B2 \* 5/2013 Henriksen, Jr. .... F16B 37/145  
411/338

(71) Applicant: **RAILBLAZA LIMITED**, Auckland  
(NZ)

9,470,257 B2 \* 10/2016 Balderrama ..... F16B 37/14  
D837,035 S \* 1/2019 Zhu ..... D8/331  
D850,825 S \* 6/2019 Gutchess ..... D6/672

(72) Inventor: **Christopher Ross Pratt**, Auckland  
(NZ)

\* cited by examiner

(73) Assignee: **RAILBLAZA LIMITED**, Auckland  
(NZ)

*Primary Examiner* — Mark A Goodwin

*Assistant Examiner* — Benjamin M Weeks

(74) *Attorney, Agent, or Firm* — Grogan, Tuccillo &  
Vanderleeden, LLP

(\*\*) Term: **15 Years**

(21) Appl. No.: **29/673,766**

(57) **CLAIM**

The ornamental design for a support for boating accessories,  
as shown and described.

(22) Filed: **Dec. 18, 2018**

**DESCRIPTION**

(51) **LOC (12) Cl.** ..... **08-08**

(52) **U.S. Cl.**  
USPC ..... **D8/349**

(58) **Field of Classification Search**  
USPC ..... D8/349, 354, 355, 330, 331, 333, 380,  
D8/382; D6/672, 684, 680, 683.1, 703.5  
CPC .. E04B 1/2604; E04B 2001/2644; F16B 7/18;  
F16B 37/145; Y10T 403/4602; Y10T  
403/4674; Y10T 403/3906  
See application file for complete search history.

FIG. 1 is a first isometric view of the support for boating accessories according to an embodiment of the present invention;

FIG. 2 is a second isometric view of the support for boating accessories of FIG. 1;

FIG. 3 is a side view of a support for boating accessories thereof;

FIG. 4 is an opposite side view of the support for boating accessories thereof;

FIG. 5 is a front view of the support for boating accessories thereof;

FIG. 6 is a back view of the support for boating accessories thereof;

FIG. 7 is a top view of the support for boating accessories thereof; and,

FIG. 8 is a bottom view of the support for boating accessories thereof.

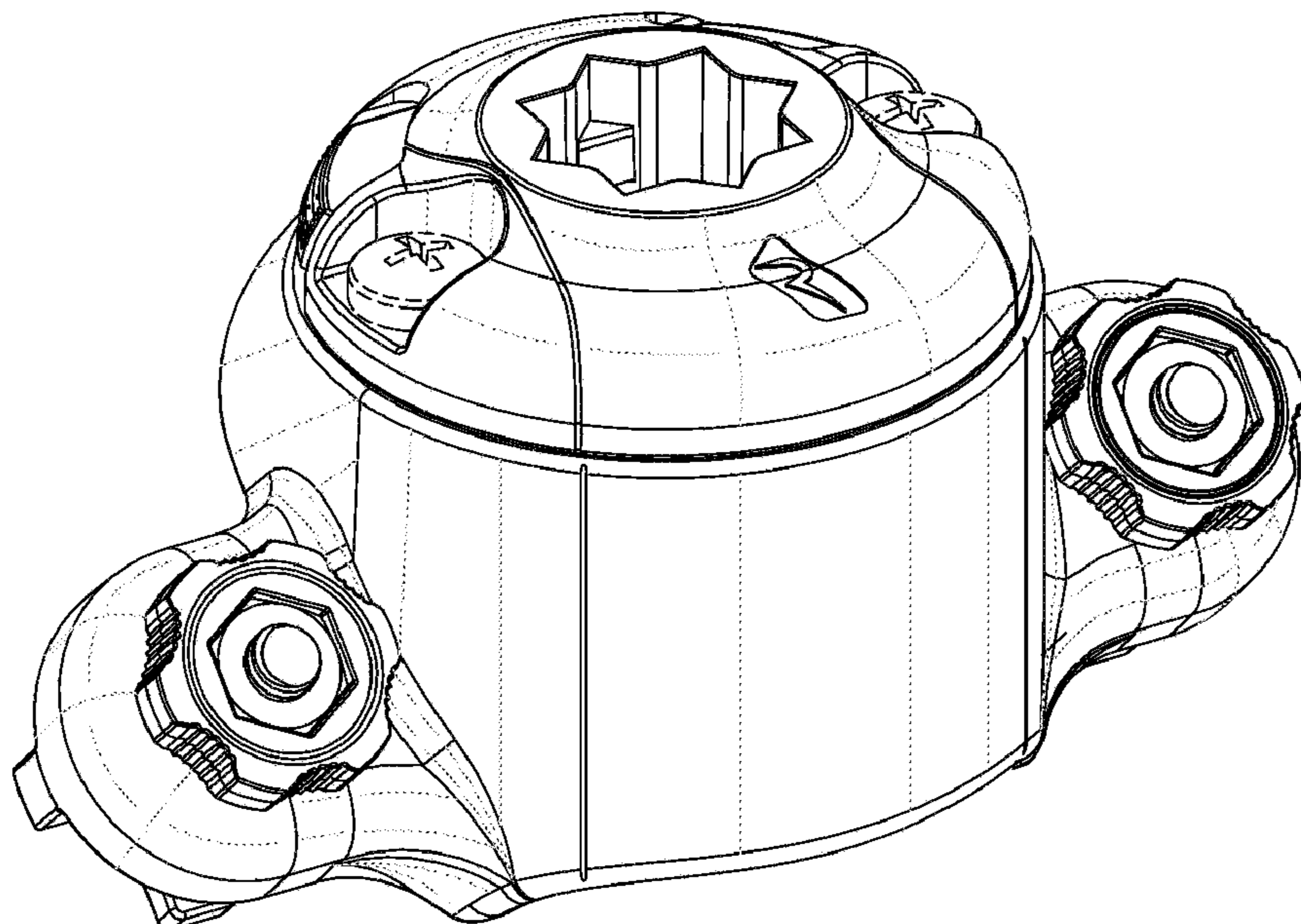
The broken line portion of the figures is included to show unclaimed subject matter only and forms no part of the claimed designs.

(56) **References Cited**

**U.S. PATENT DOCUMENTS**

- 3,285,311 A \* 11/1966 Cushman ..... F16B 5/01  
52/787.1
- D279,596 S \* 7/1985 Rademacher ..... D23/250
- 4,571,136 A \* 2/1986 Peek ..... B60N 3/046  
24/104
- D287,569 S \* 1/1987 Shepard ..... D8/381
- 4,850,778 A \* 7/1989 Clough ..... F16B 37/0842  
411/433
- D335,989 S \* 6/1993 Van Hise ..... D6/512
- D472,947 S \* 4/2003 Wu ..... D21/694

**1 Claim, 8 Drawing Sheets**



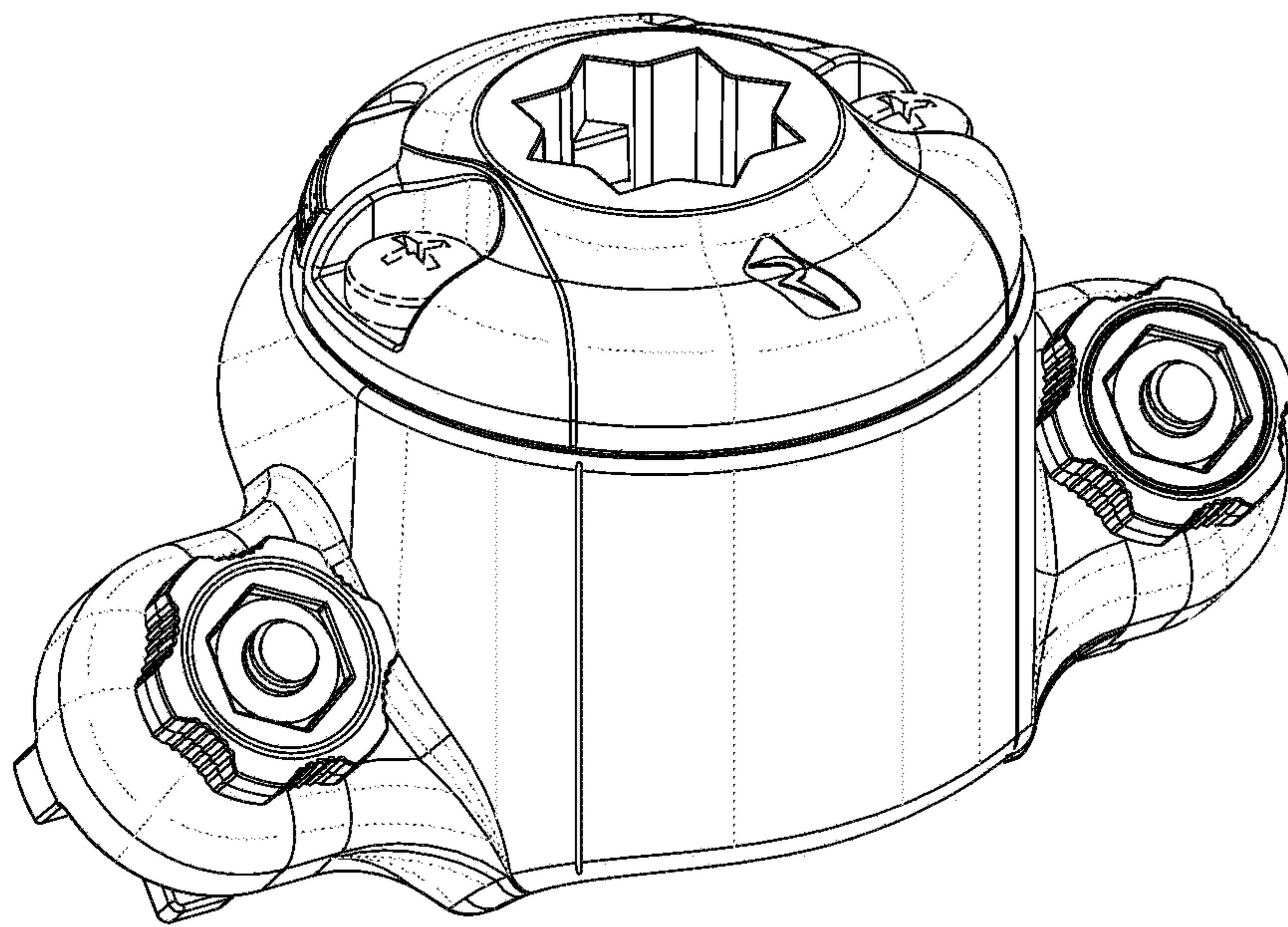


Figure 1

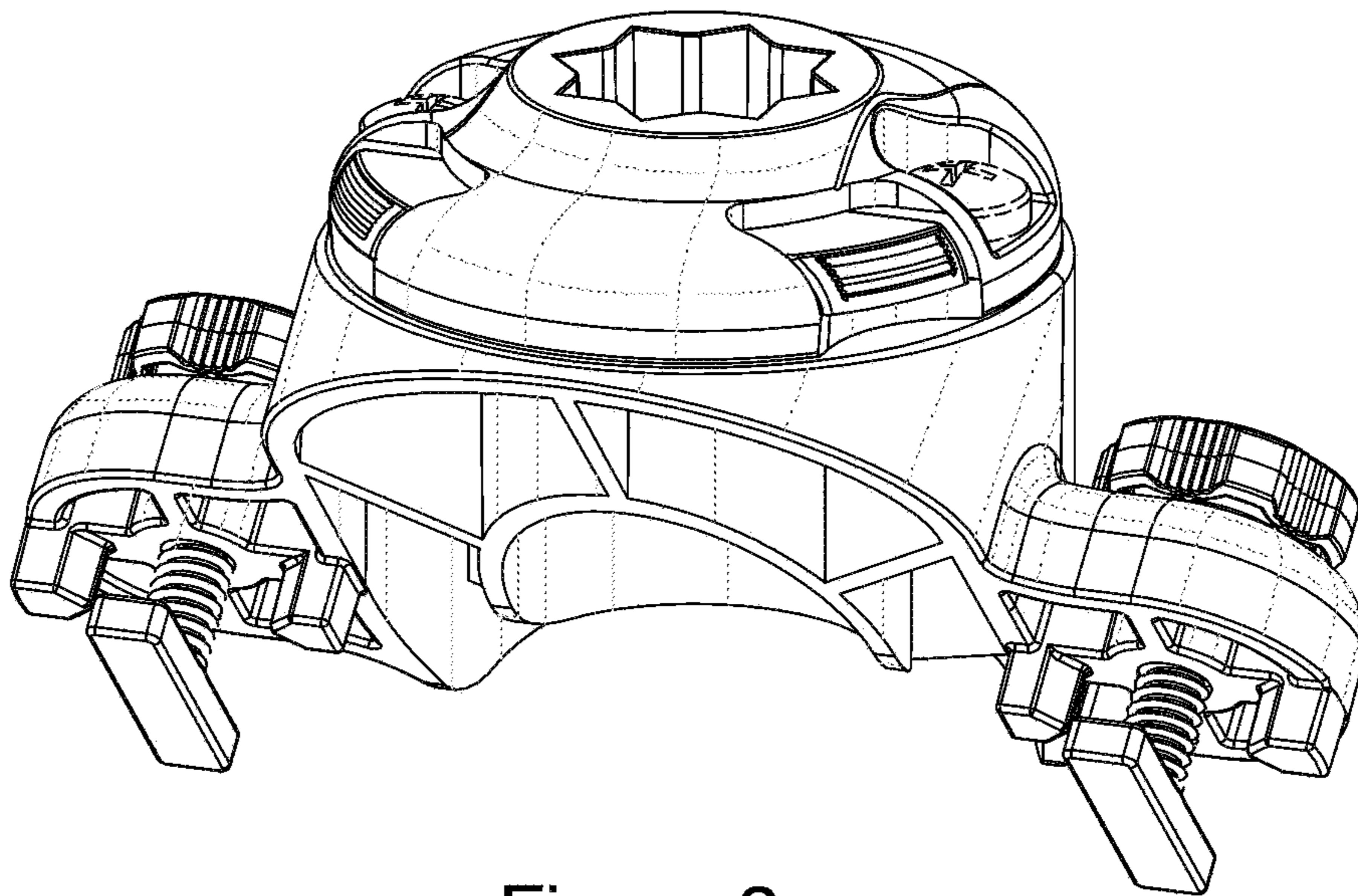


Figure 2

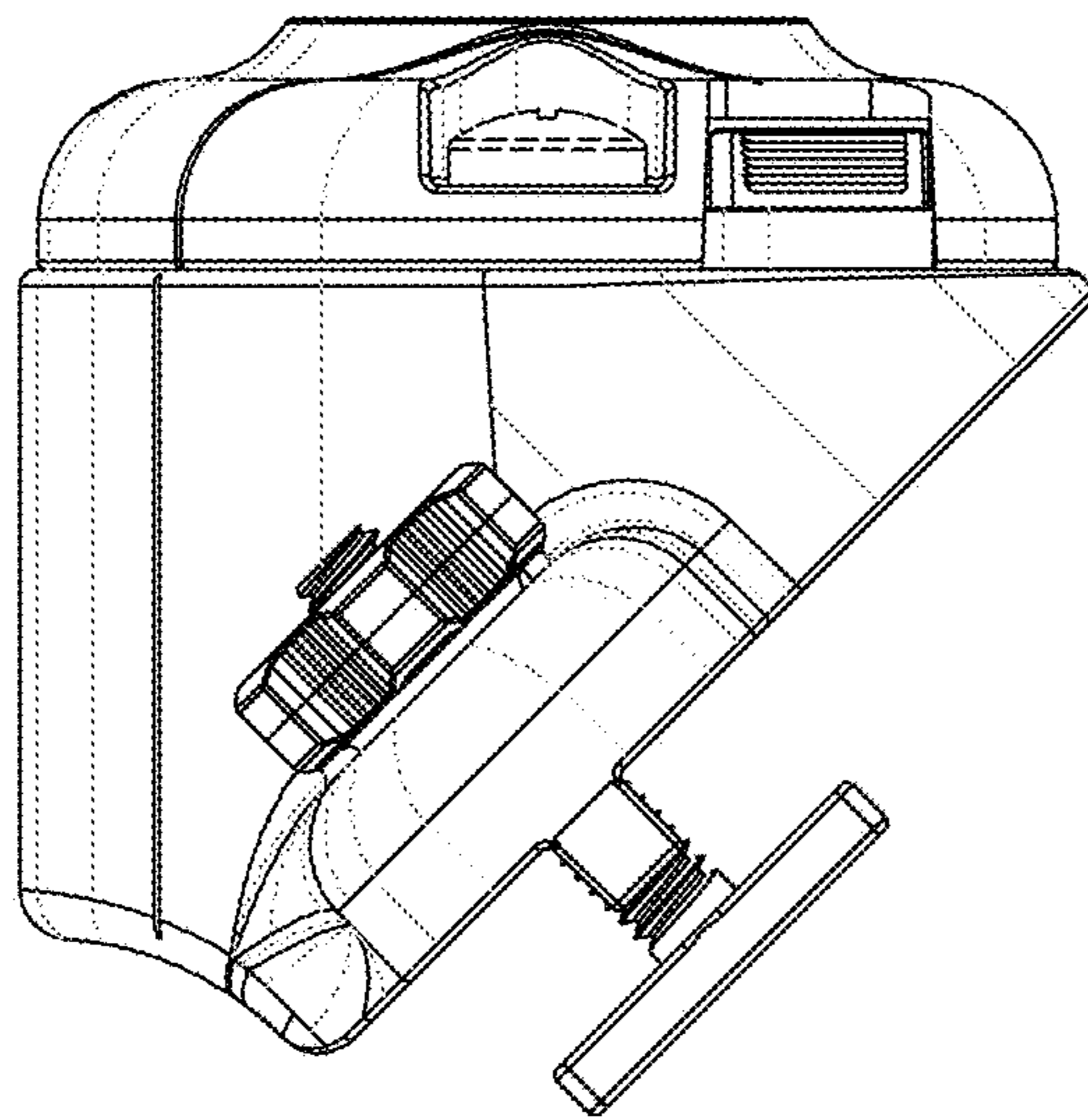


Figure 3

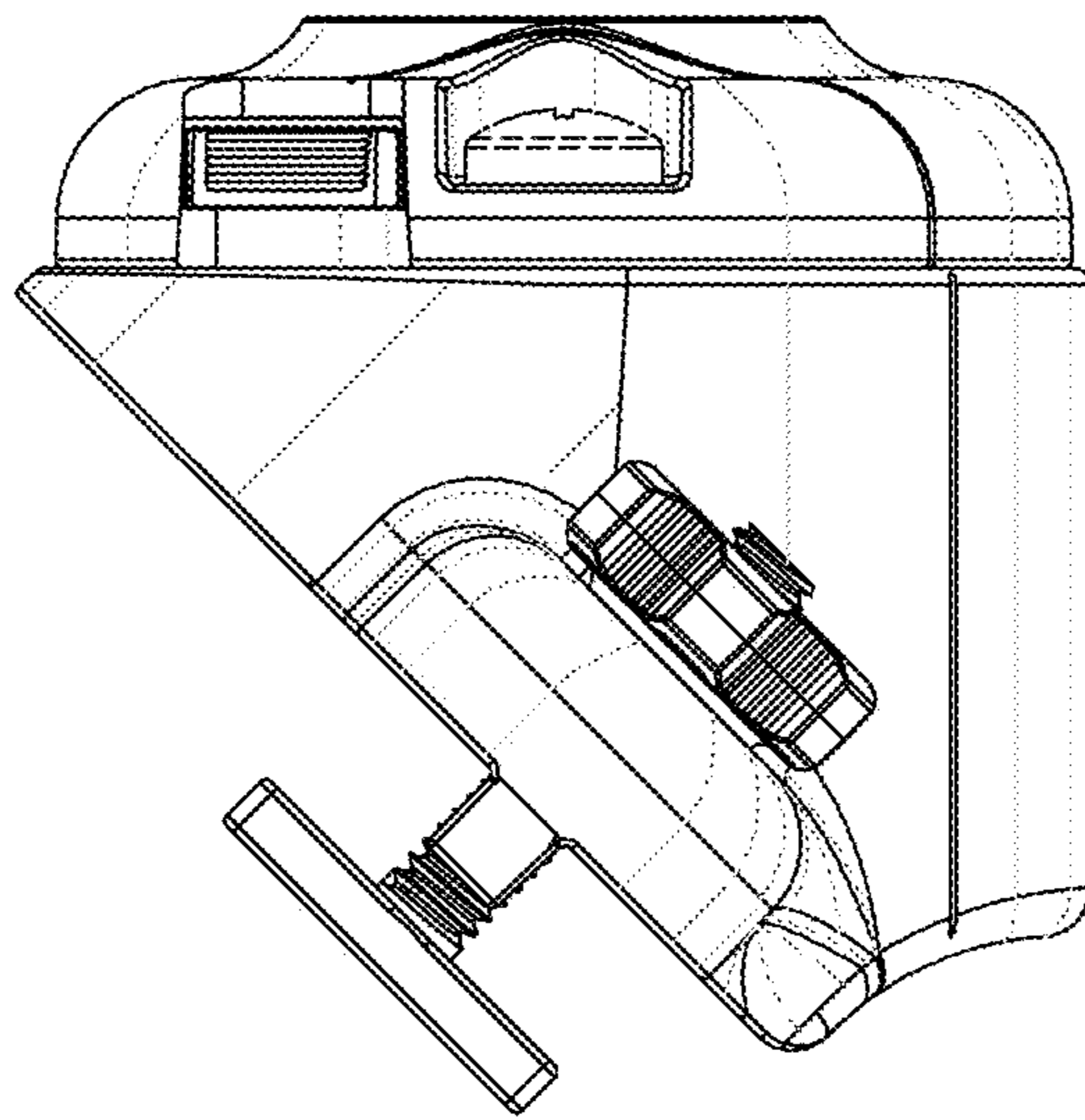


Figure 4

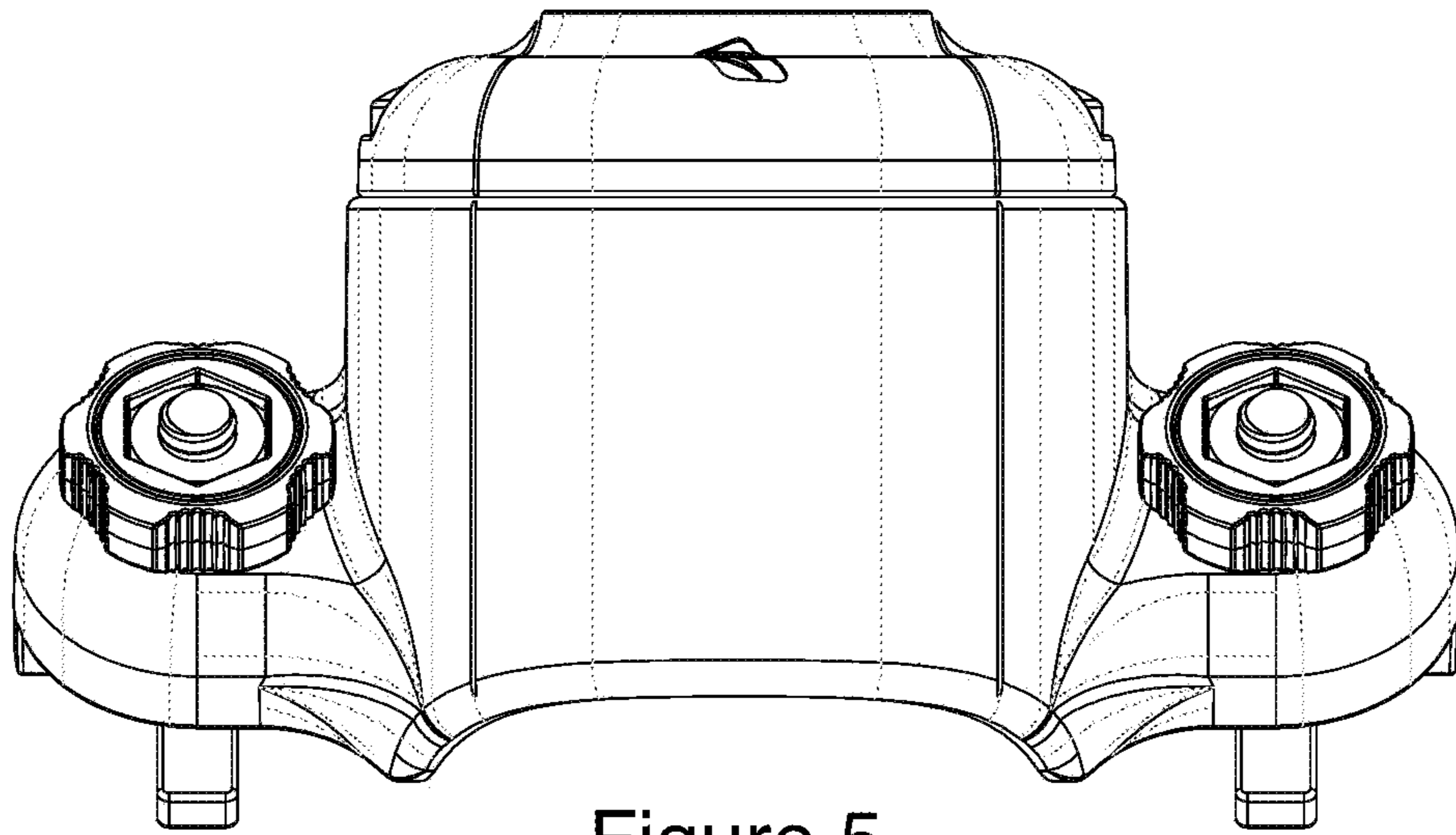


Figure 5

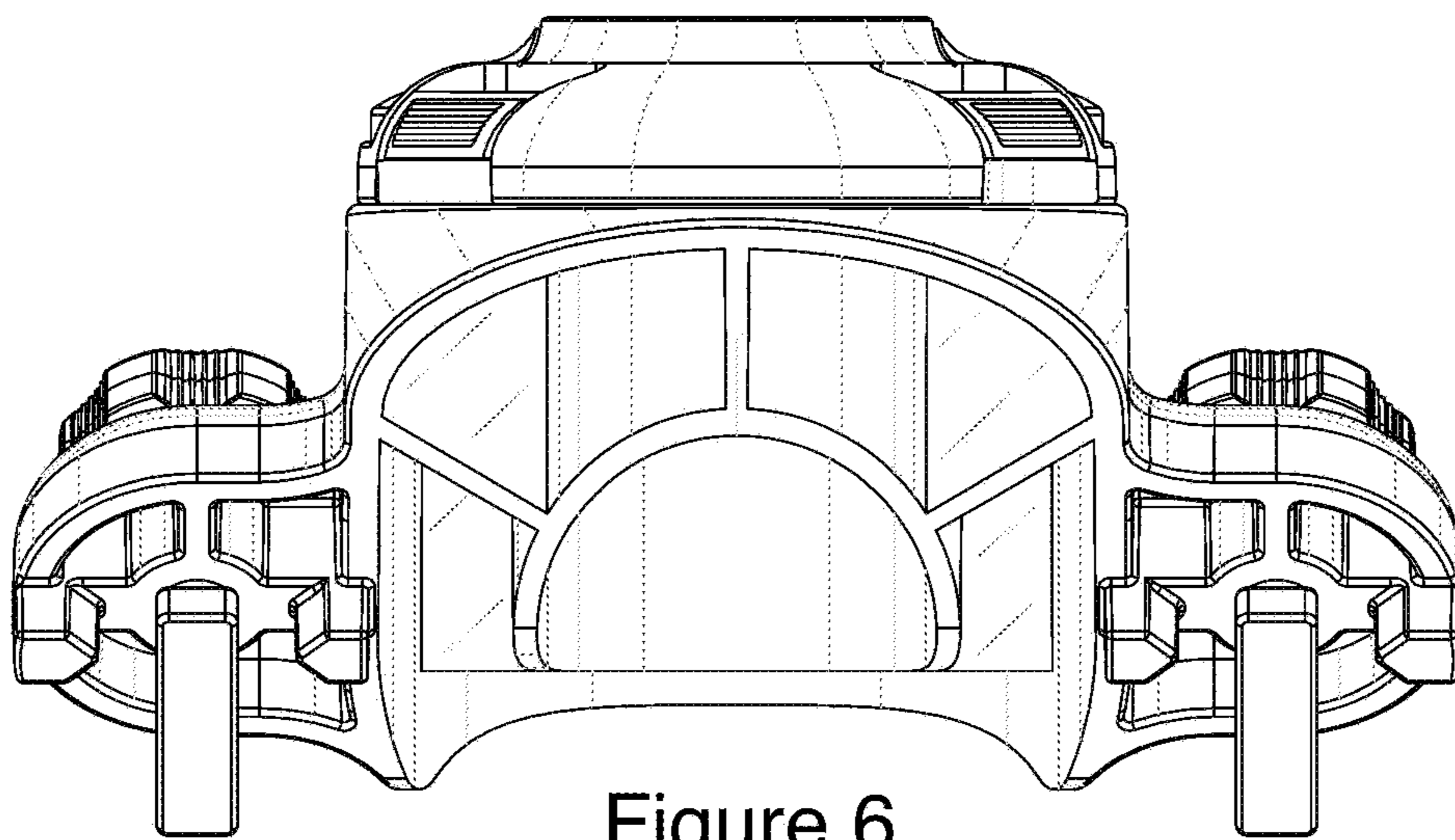


Figure 6

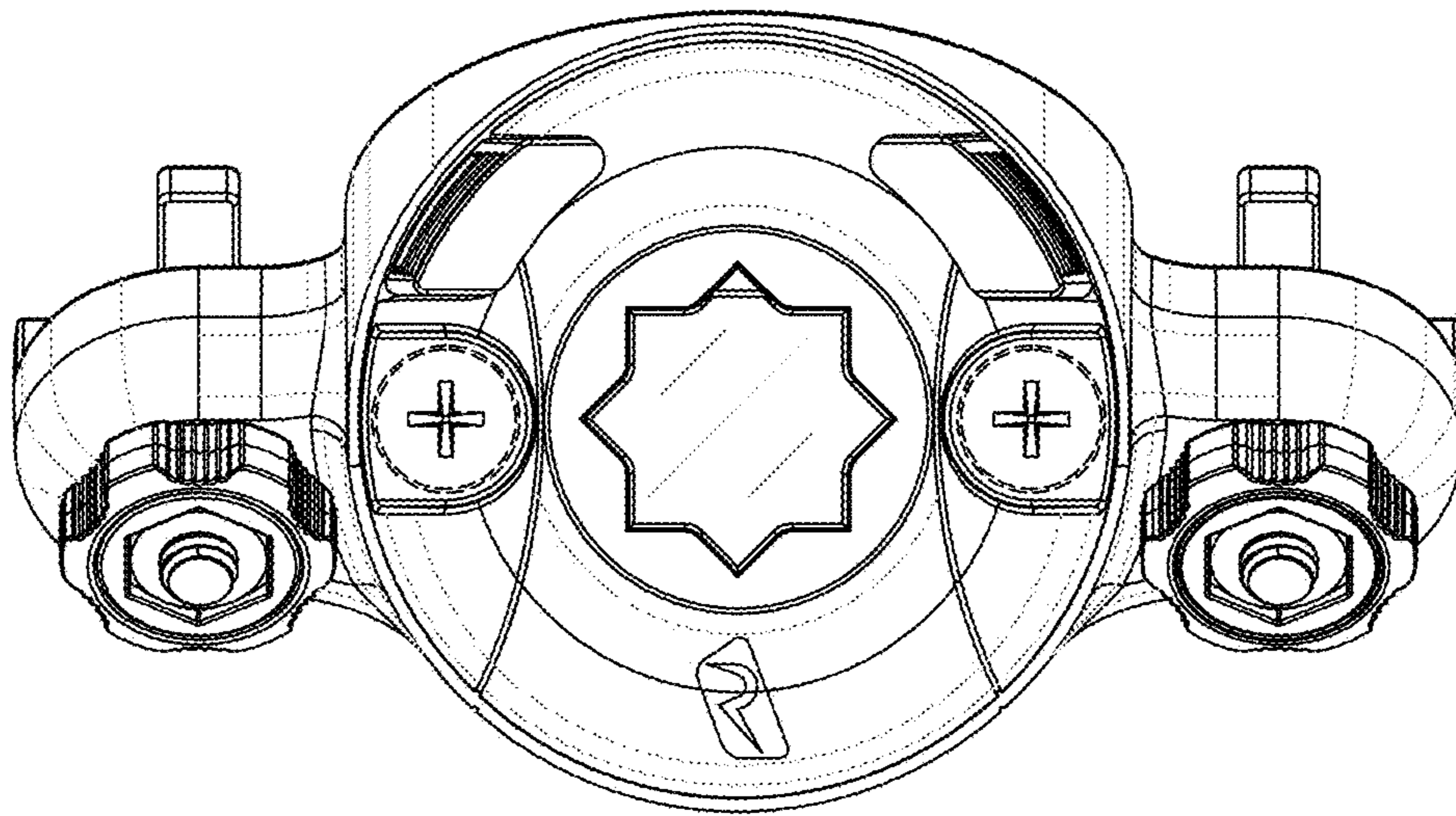


Figure 7



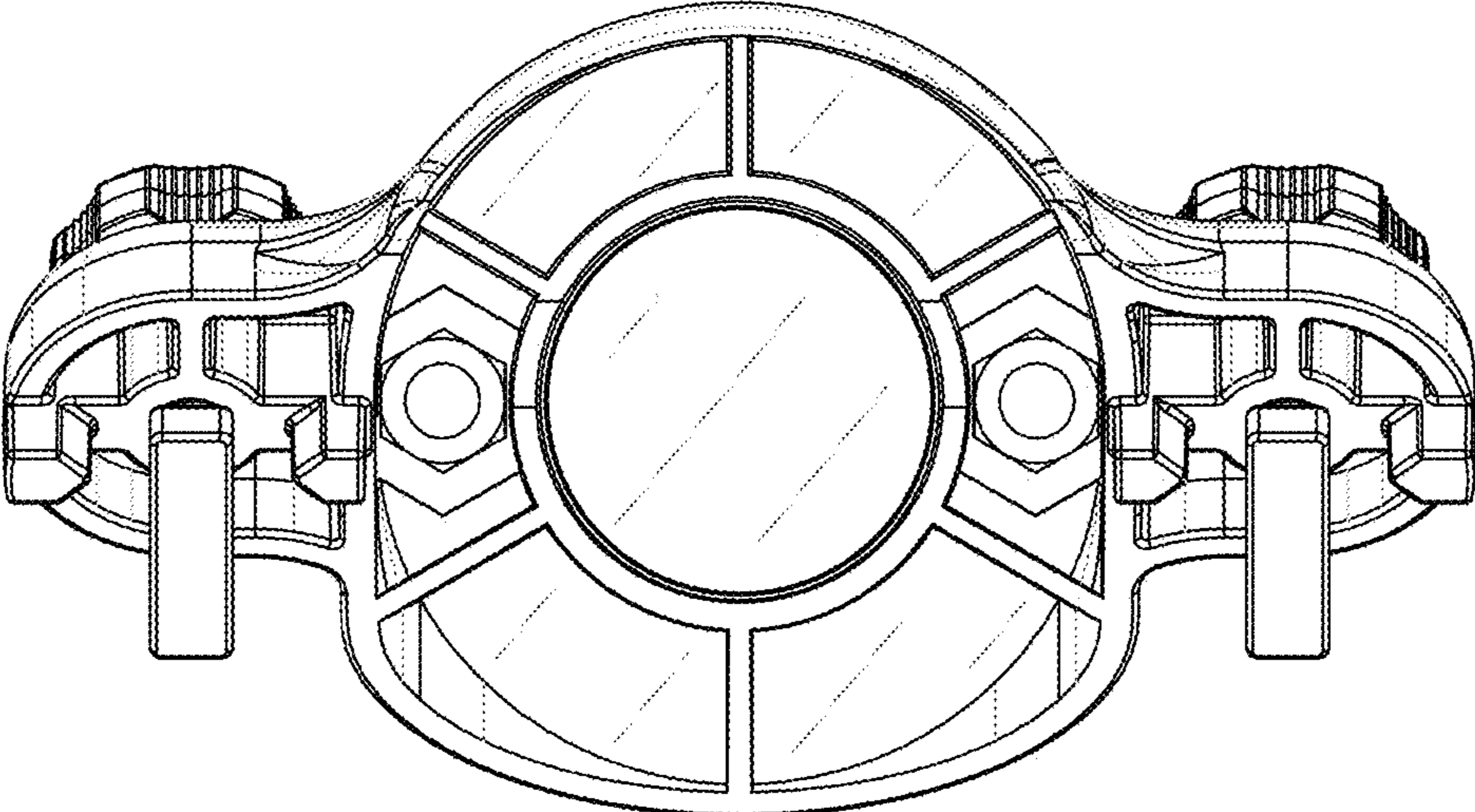


Figure 8