

US00D883069S

(12) **United States Design Patent**
Fonnesbeck

(10) **Patent No.:** **US D883,069 S**

(45) **Date of Patent:** **** May 5, 2020**

(54) **LATCH SYSTEM**

(71) Applicant: **Expedition One, LLC**, Ogden, UT
(US)

(72) Inventor: **James M. Fonnesbeck**, Ogden, UT
(US)

(73) Assignee: **EXPEDITION ONE, LLC**, Ogden, UT
(US)

(**) Term: **15 Years**

(21) Appl. No.: **29/648,425**

(22) Filed: **May 21, 2018**

(51) **LOC (12) Cl.** **08-07**

(52) **U.S. Cl.**
USPC **D8/336**

(58) **Field of Classification Search**
USPC D8/330, 331, 336, 338, 339, 341, 342,
D8/343, 344, 367, 371, 302, 307;
D11/208, 210, 215; D6/310, 682;
D12/223

CPC E05B 55/00; E05B 55/12; E05B 61/00;
E05B 63/18; E05B 63/244; E05B 65/06;
E05B 65/48; E05B 83/24; E05B 83/00;
E05B 15/00; E05B 15/0046; E05B
15/0086; E05B 15/02; E05B 17/0012;
E05B 63/248; E05B 47/02; B62D 33/037

See application file for complete search history.

(56) **References Cited**

U.S. PATENT DOCUMENTS

778,312	A	*	12/1904	Hall et al.	E05C 3/30	292/132
D174,919	S	*	6/1955	Paine et al.	D6/512	
3,207,463	A	*	9/1965	Downey	F16B 45/02	248/339
D243,440	S	*	2/1977	Strinning	D8/381	
D243,441	S	*	2/1977	Podd	D8/367	
D247,693	S	*	4/1978	Lee	289/16.5	

D248,541	S	*	7/1978	Oberg	D8/372	
D253,276	S	*	10/1979	Levine	D6/327	
4,416,477	A	*	11/1983	Bialobrzkeski	E05B 65/0014	292/19
D297,812	S	*	9/1988	Anderson	D8/367	
D320,545	S	*	10/1991	Sciarrino	D8/339	
D325,131	S	*	4/1992	Fujiwara	D21/599	

(Continued)

OTHER PUBLICATIONS

YouTube Video "Expedition One 5th Gen 4Runner Dual Swing-Out Bumper- Latch System" available at https://www.youtube.com/watch?time_continue=25&v=QCc6kmD4tSs; Available as early as May 5, 2017, 1 page.

Primary Examiner — Steven J Czyz

(74) *Attorney, Agent, or Firm* — Workman Nydegger

(57) **CLAIM**

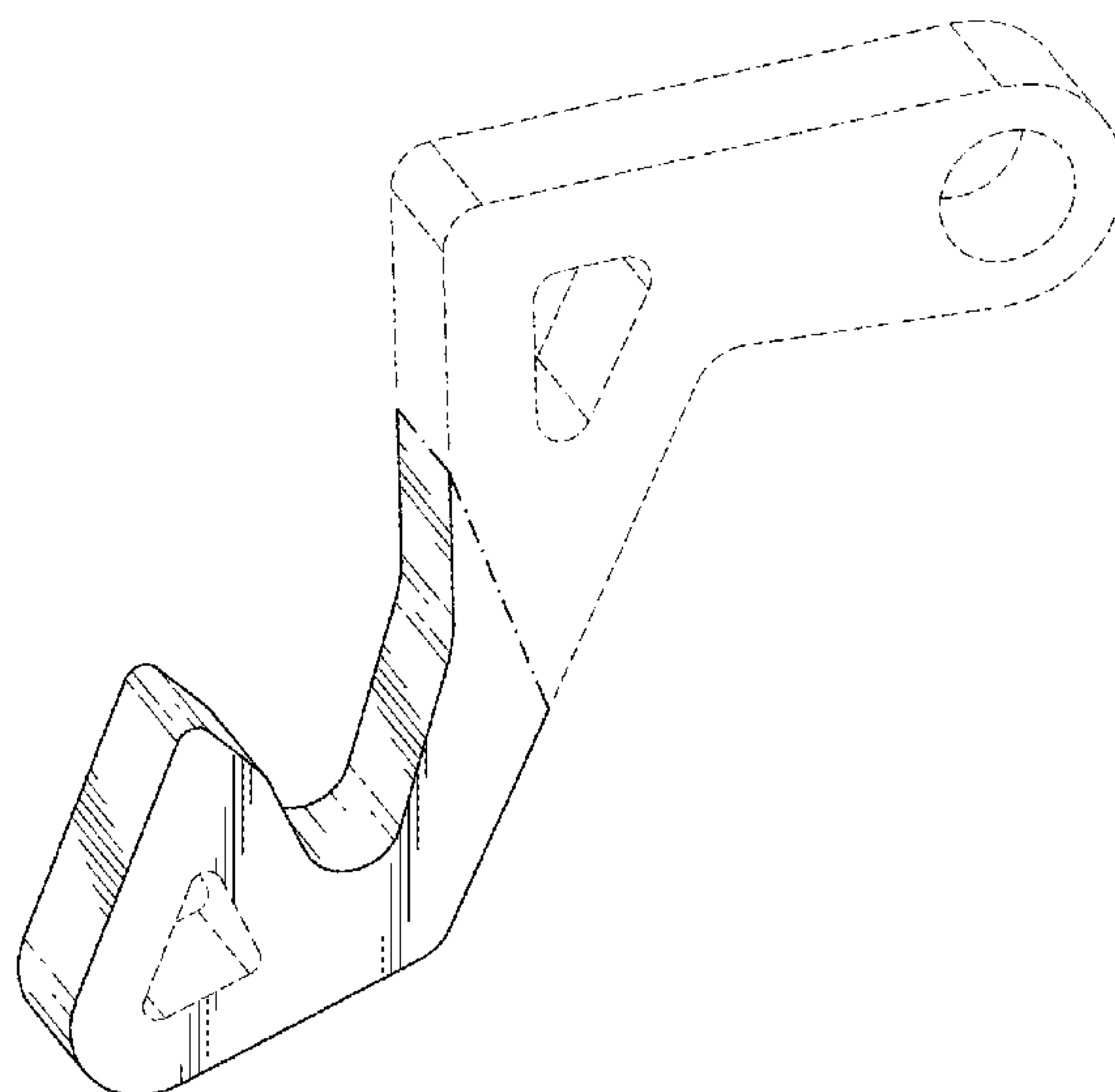
The ornamental design for a latch system, as shown and described.

DESCRIPTION

FIG. 1 is a perspective view of a latch system showing the design;
FIG. 2 is a right elevational view of the latch system of FIG. 1;
FIG. 3 is a left elevational view of the latch system of FIG. 1;
FIG. 4 is a top plan view of the latch system of FIG. 1;
FIG. 5 is a bottom plan view of the latch system of FIG. 1;
FIG. 6 is a front elevational view of the latch system of FIG. 1; and,
FIG. 7 is a rear elevational view of the latch system of FIG. 1.

In the drawings, the evenly-spaced broken lines depict portions of the article that form no part of the claimed design; the dash-dot-dash lines represent boundaries of the claimed design and form no part thereof.

1 Claim, 3 Drawing Sheets



(56)

References Cited

U.S. PATENT DOCUMENTS

D331,007 S * 11/1992 Roick D8/367
 D347,155 S * 5/1994 Schlack D8/331
 5,645,304 A * 7/1997 Richardson E05B 65/0014
 292/1
 D396,794 S * 8/1998 Francom D8/336
 D402,181 S * 12/1998 Hayes D8/343
 D402,732 S * 12/1998 Erlandson D22/121
 D412,100 S * 7/1999 Kruse D8/367
 D430,030 S * 8/2000 DuCorday D9/443
 D468,993 S * 1/2003 Votruba D8/343
 D469,334 S * 1/2003 Votruba D8/343
 D471,076 S * 3/2003 Radel D8/343
 D478,805 S * 8/2003 Winig D8/367
 D492,891 S * 7/2004 Nilsson D8/371
 D495,944 S * 9/2004 Winig D8/367
 D514,522 S * 2/2006 Chiang D13/154
 D568,247 S * 5/2008 Ho D13/133
 D605,005 S * 12/2009 Benson D8/20

D639,137 S * 6/2011 Ray, II D8/330
 D661,959 S * 6/2012 Barnhart D8/16
 D666,515 S * 9/2012 Kane D10/80
 D673,433 S * 1/2013 Barnhart D8/16
 D684,838 S * 6/2013 Wirtz D8/302
 D712,501 S * 9/2014 Weltsch D22/108
 D732,370 S * 6/2015 Pittman D8/330
 D760,575 S * 7/2016 Werner D8/331
 D770,253 S * 11/2016 Huang D8/52
 D772,818 S * 11/2016 Tate D13/154
 D801,161 S * 10/2017 Xiao D8/367
 D808,769 S * 1/2018 Yitzhaki D8/349
 D818,796 S * 5/2018 Huang D8/331
 D824,161 S * 7/2018 Kaye D3/18
 2016/0362917 A1 * 12/2016 Cumbo E05C 19/022
 2017/0101810 A1 * 4/2017 Lee E05B 79/14
 2019/0055759 A1 * 2/2019 Roth E05B 83/243
 2019/0071900 A1 * 3/2019 Distefano E05B 77/08
 2019/0211589 A1 * 7/2019 Xu E05B 83/24
 2019/0277069 A1 * 9/2019 Lim E05B 83/24

* cited by examiner

FIG. 1

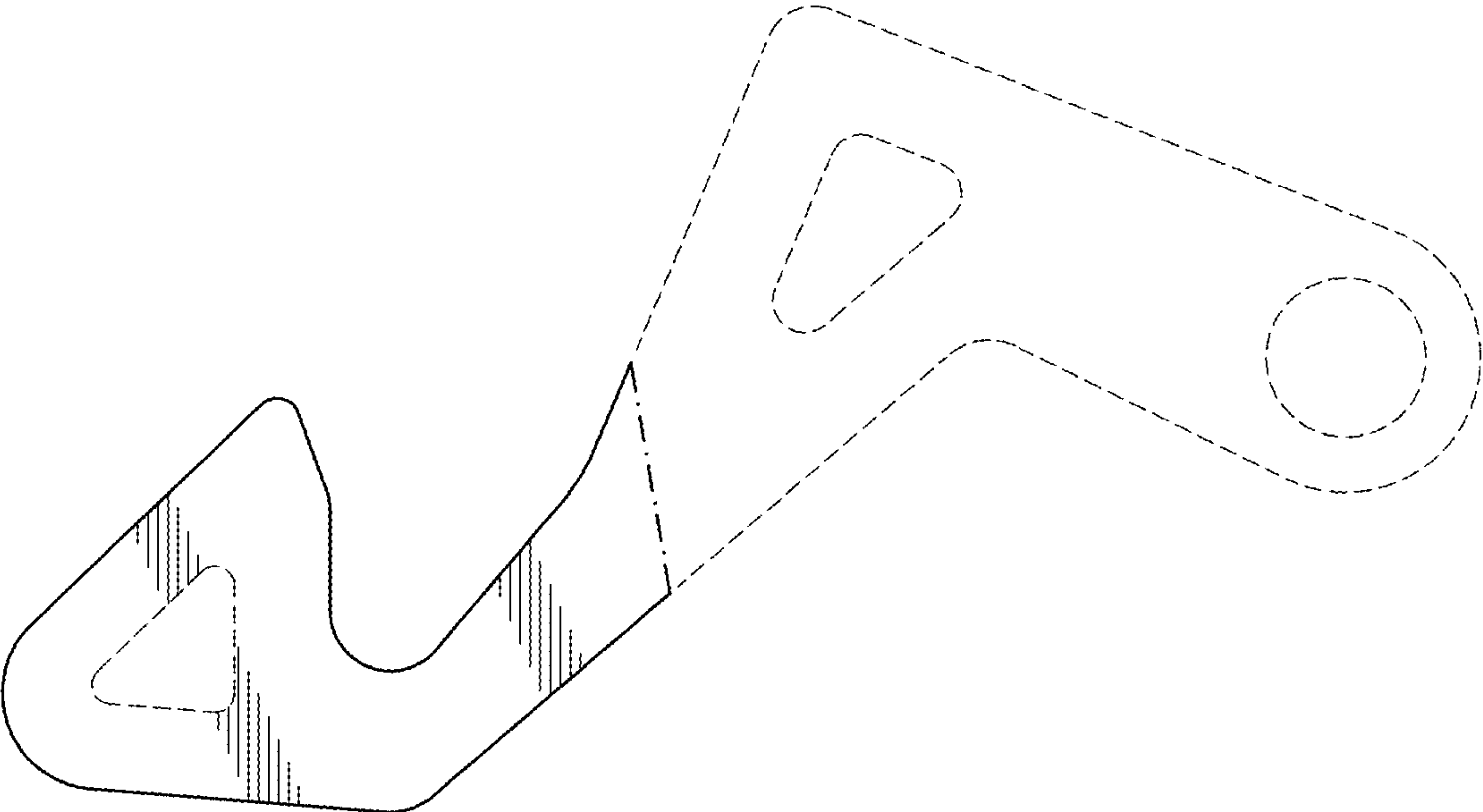
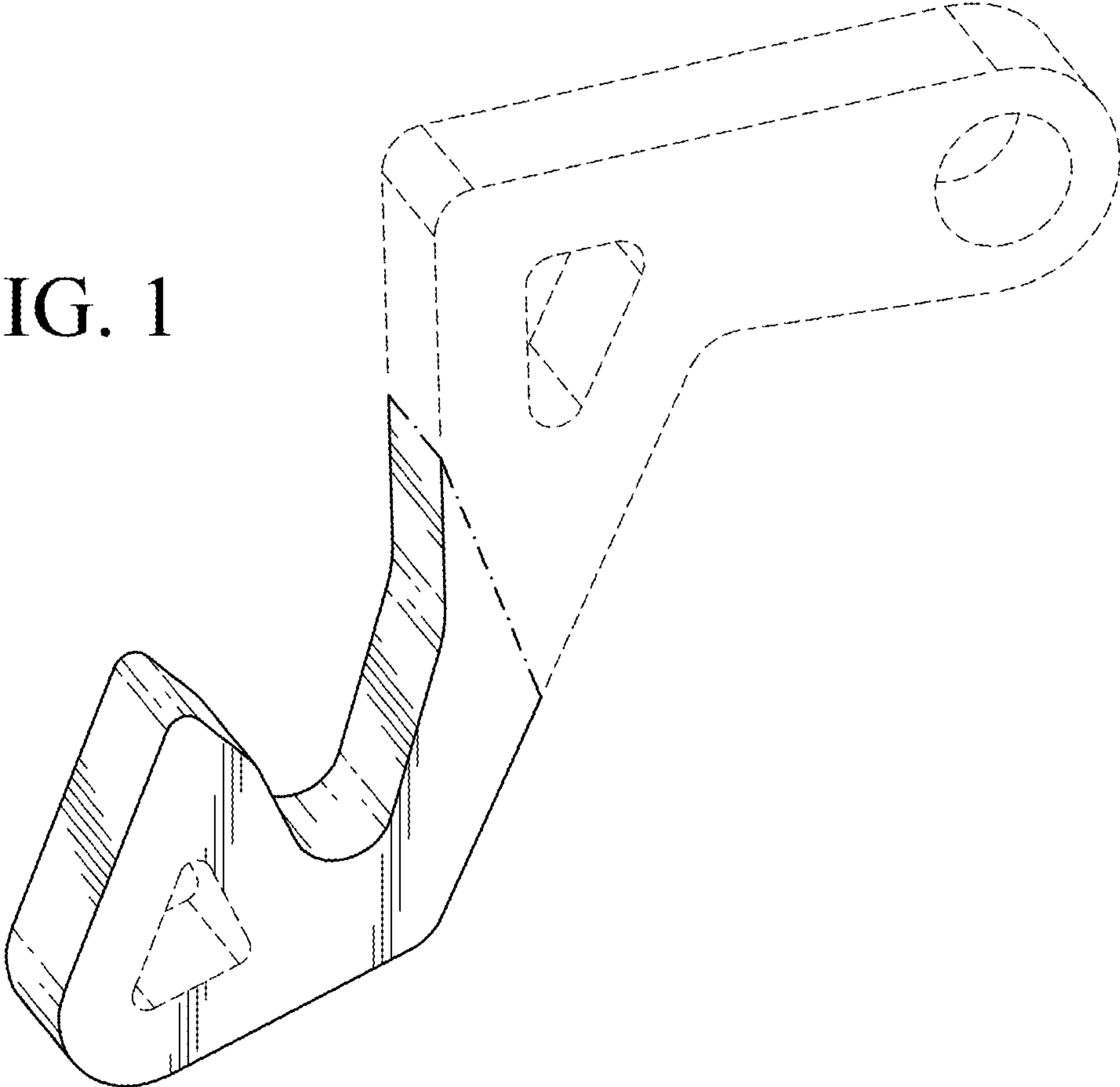


FIG. 2

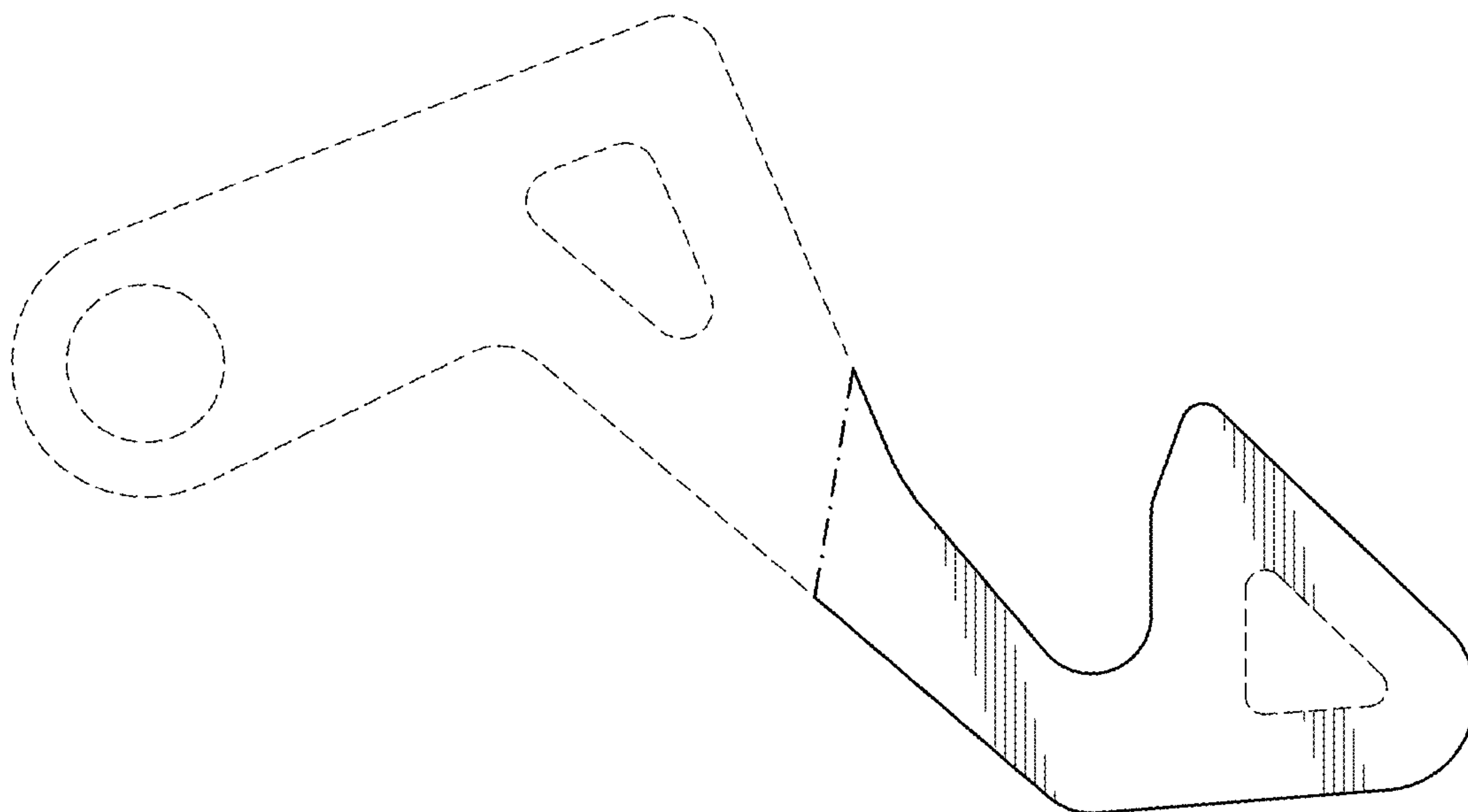


FIG. 3

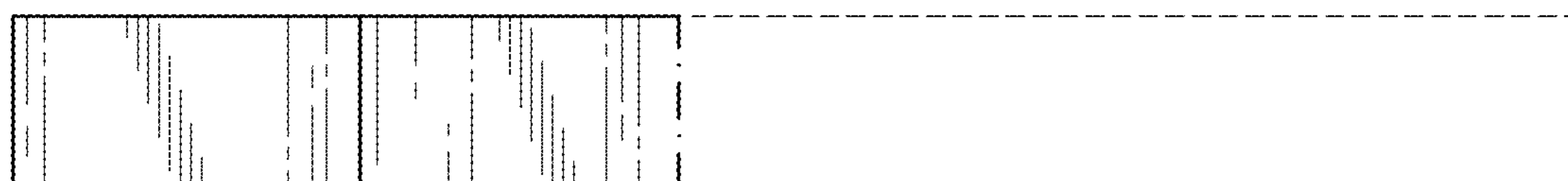


FIG. 4

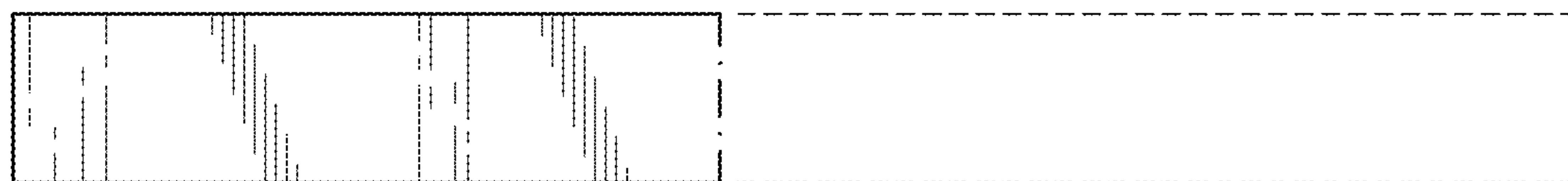


FIG. 5

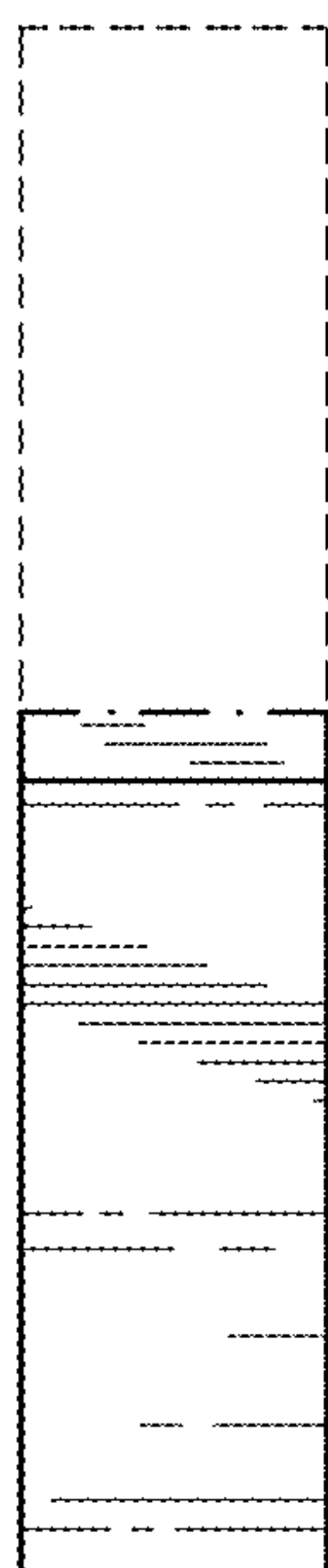


FIG. 6

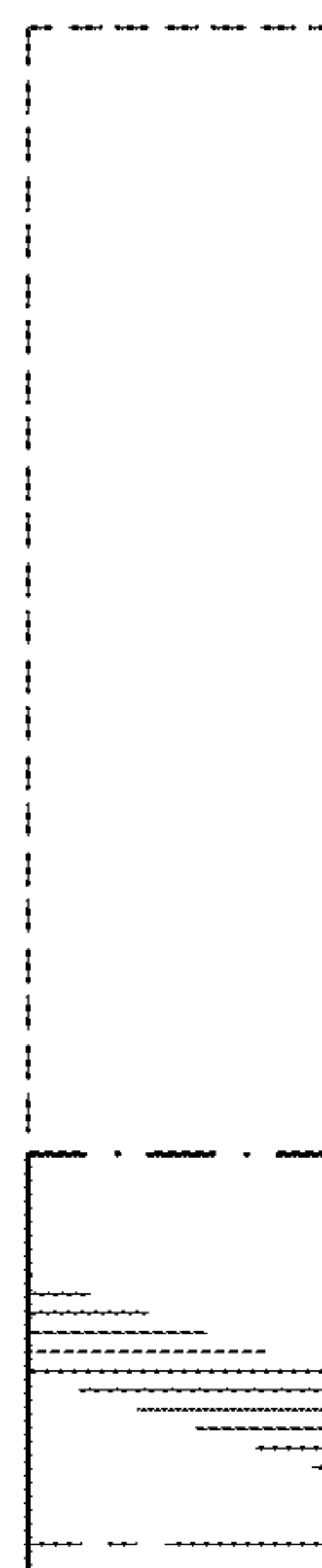


FIG. 7