



US00D883066S

(12) **United States Design Patent** (10) **Patent No.:** **US D883,066 S**  
**Yu** (45) **Date of Patent:** **\*\* May 5, 2020**

(54) **HINGE OF TAIL DOOR**  
(71) Applicant: **T-MAX (HANGZHOU) TECHNOLOGY CO., LTD.,**  
Hangzhou (CN)  
(72) Inventor: **Hangfei Yu, Hangzhou (CN)**  
(73) Assignee: **T-MAX (HANGZHOU) TECHNOLOGY CO., LTD.,**  
Hangzhou (CN)

D548,044 S 8/2007 Tang  
D560,470 S \* 1/2008 Short ..... D8/354  
D562,206 S \* 2/2008 Newbill ..... D12/202  
D652,706 S 1/2012 Osaki  
8,528,976 B2 9/2013 Wimberley  
D698,224 S 1/2014 Ridges  
D707,100 S 6/2014 Kinskey et al.  
D708,043 S 7/2014 Sonnendorfer et al.  
9,140,042 B2 9/2015 Erlich et al.  
D758,829 S 6/2016 Bennett  
D775,932 S \* 1/2017 van Hillo ..... D8/349  
D818,343 S \* 5/2018 Ignarra ..... D8/328  
2012/0120470 A1 5/2012 Kitazawa et al.

(\*\*) Term: **15 Years**

\* cited by examiner

(21) Appl. No.: **29/588,531**

*Primary Examiner* — Cynthia R Underwood  
(74) *Attorney, Agent, or Firm* — Howard & Howard  
Attorneys PLLC

(22) Filed: **Dec. 21, 2016**

**Related U.S. Application Data**

(63) Continuation-in-part of application No. 29/506,760,  
filed on Oct. 20, 2014, now abandoned.

(51) **LOC (12) Cl.** ..... **08-06**

(52) **U.S. Cl.**  
USPC ..... **D8/323**

(58) **Field of Classification Search**  
USPC ..... D8/323, 328; 16/250, 338, 227  
CPC ..... E05D 5/12; E05D 11/082; E05D 1/02;  
B64G 1/222; B60N 2/01508  
See application file for complete search history.

(56) **References Cited**

**U.S. PATENT DOCUMENTS**

5,052,729 A 10/1991 Huber  
6,062,623 A 5/2000 Lemmen

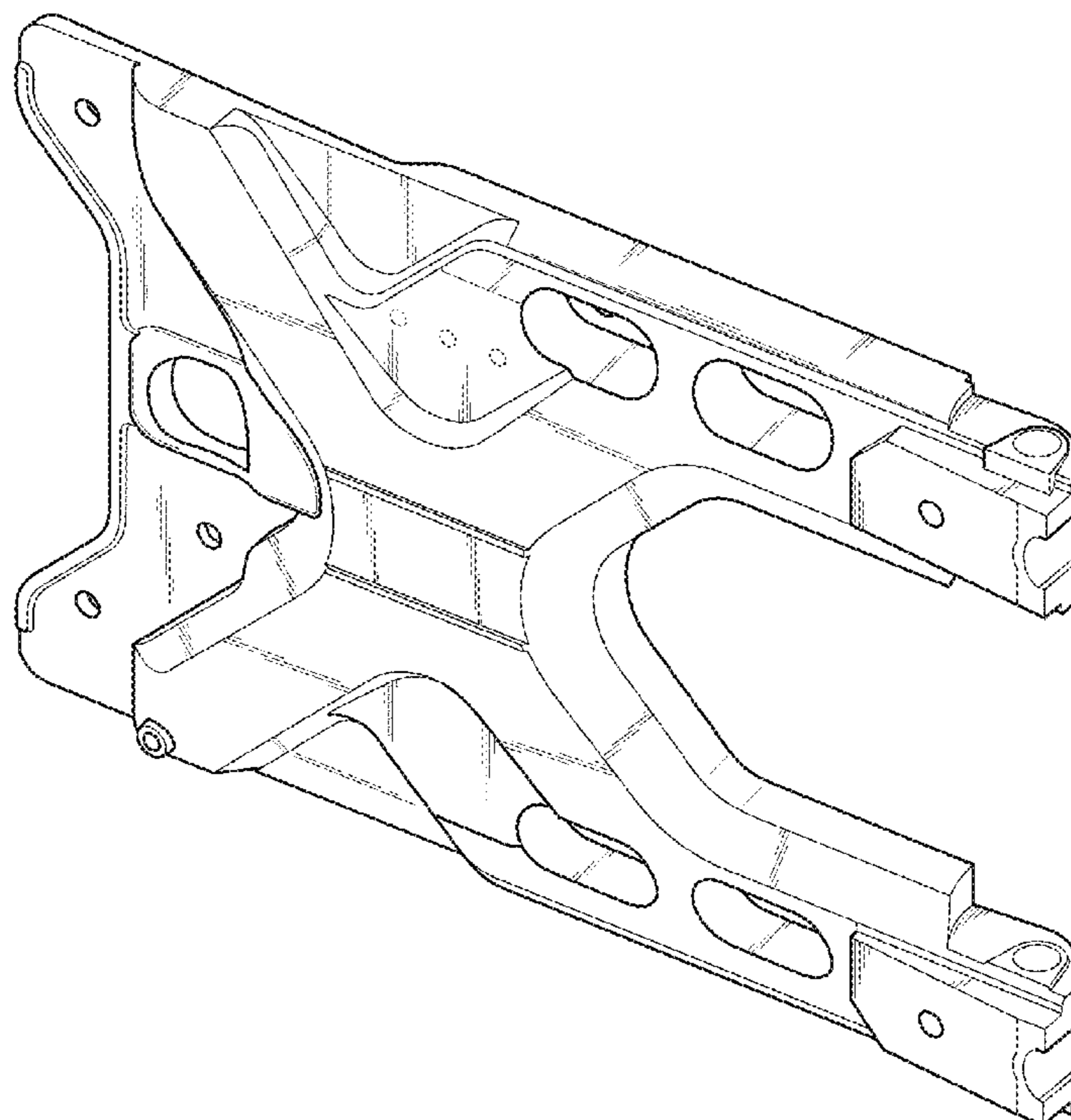
(57) **CLAIM**

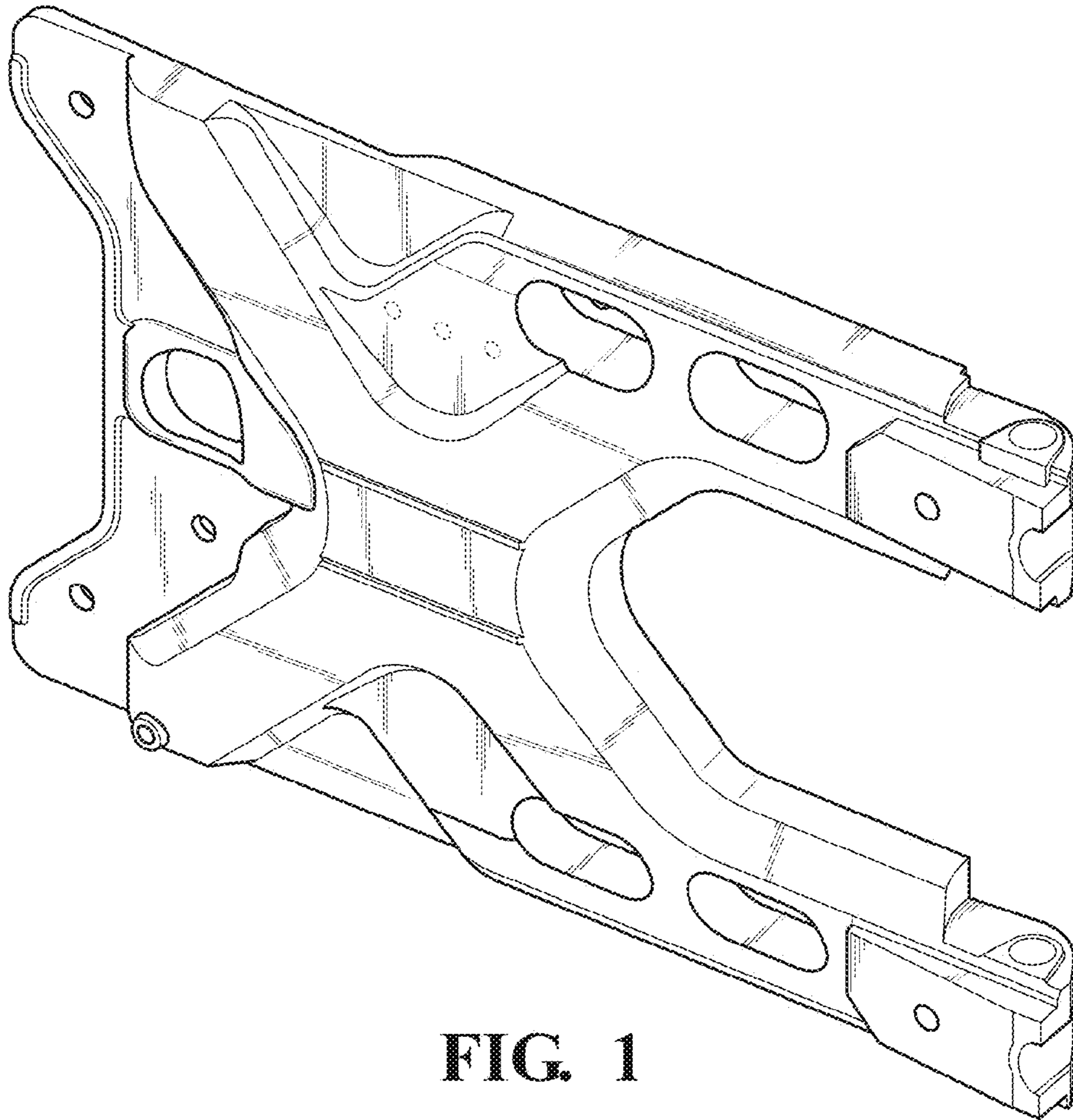
The ornamental design for a hinge of tail door, as shown and described.

**DESCRIPTION**

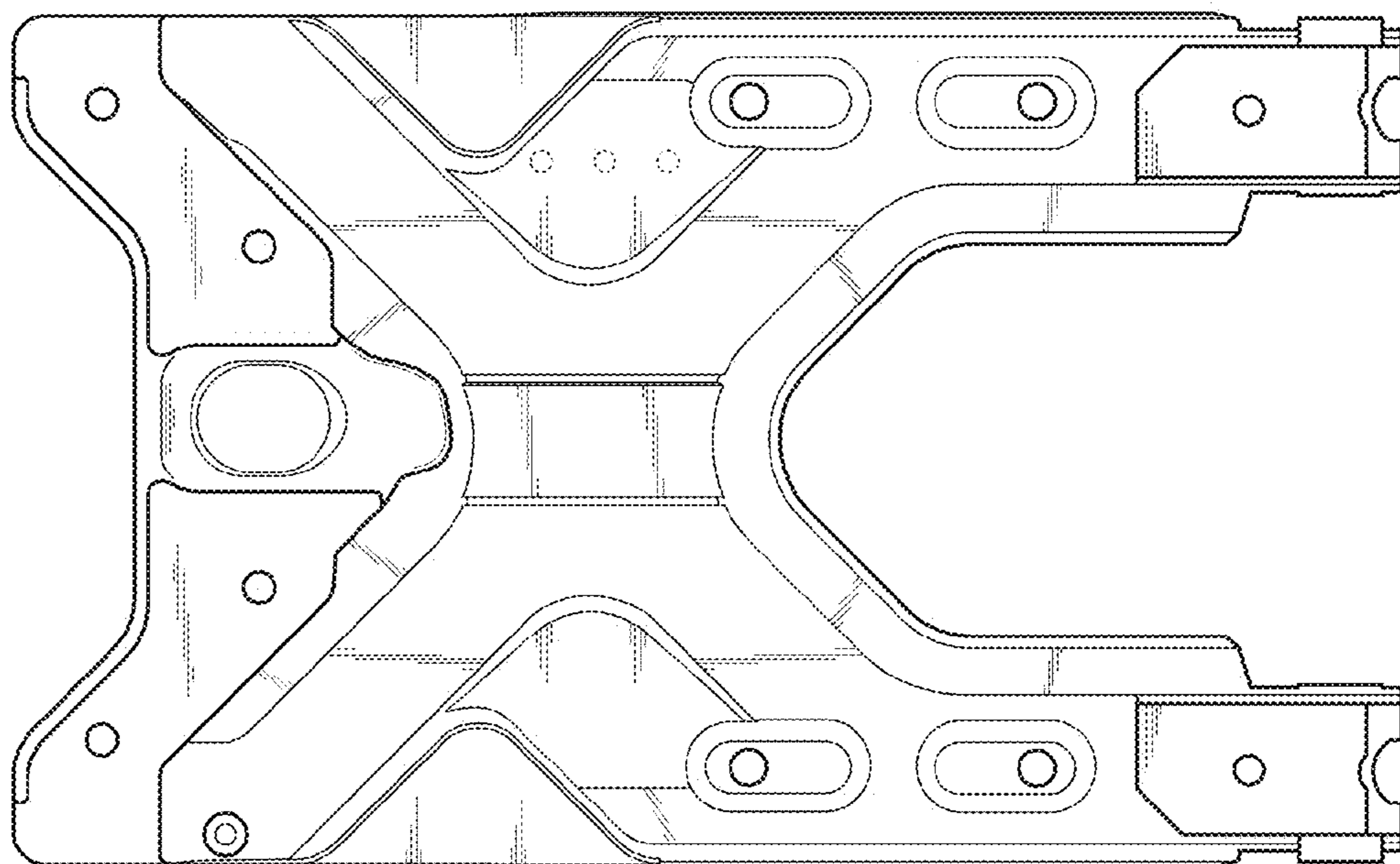
FIG. 1 is a front perspective view of a hinge of tail door embodying the inventive ornamental design;  
FIG. 2 is a front view thereof;  
FIG. 3 is a rear view thereof;  
FIG. 4 is a left side view thereof;  
FIG. 5 is a right side view thereof;  
FIG. 6 is a top view thereof; and,  
FIG. 7 is a bottom view thereof.  
The broken lines represent portions of the structure that form no part of the claim.

**1 Claim, 3 Drawing Sheets**

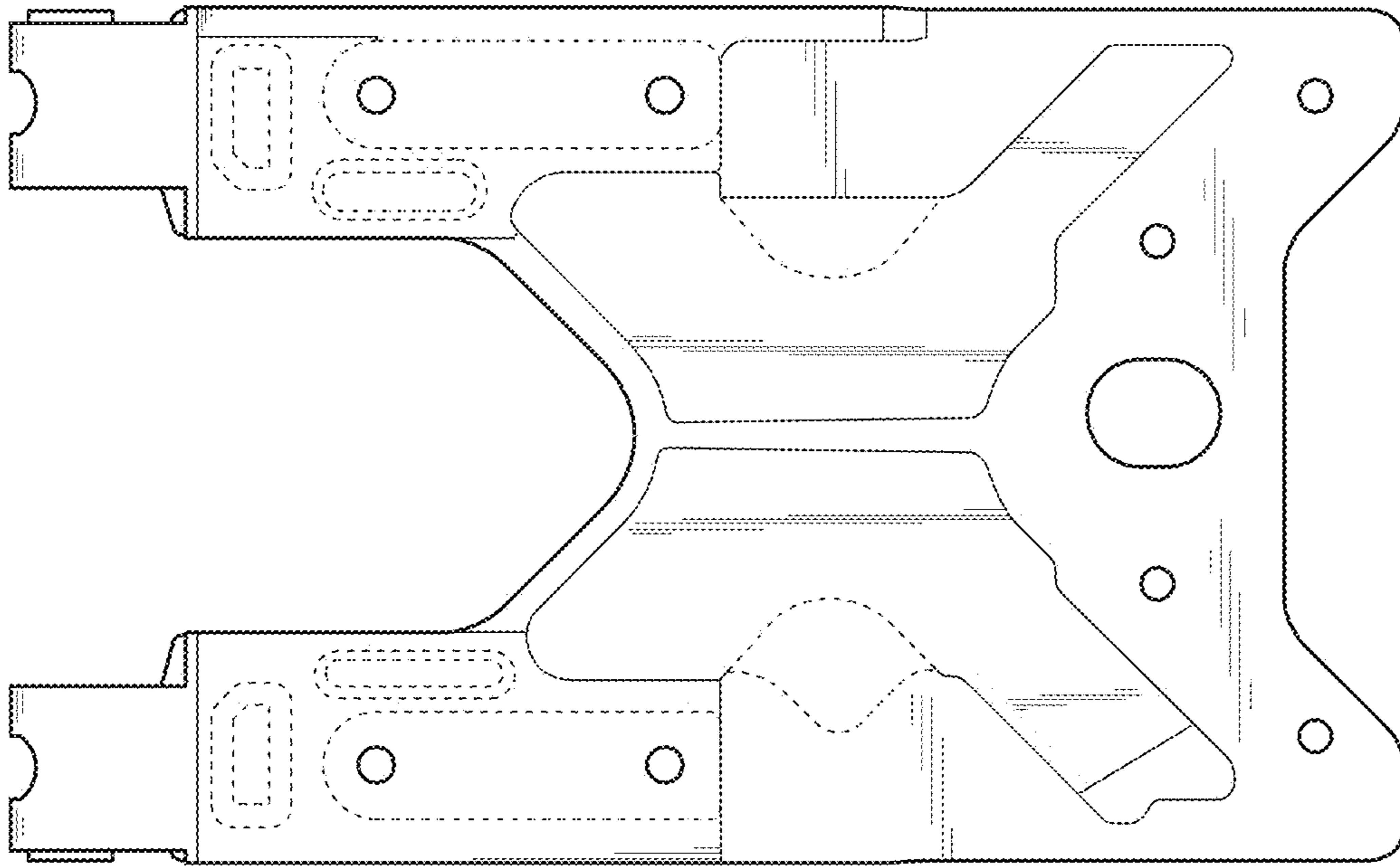




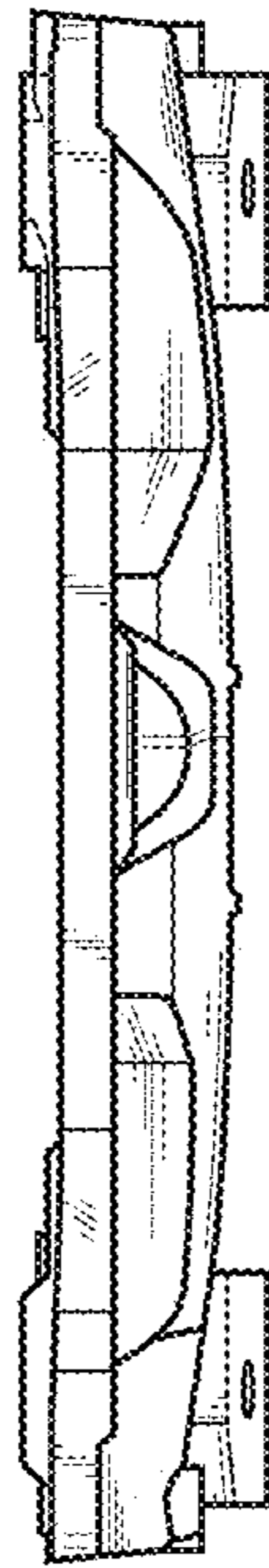
**FIG. 1**



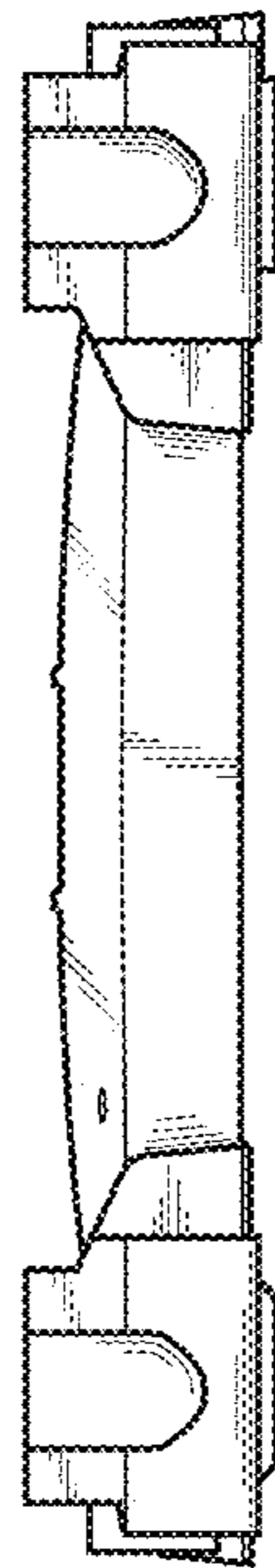
**FIG. 2**



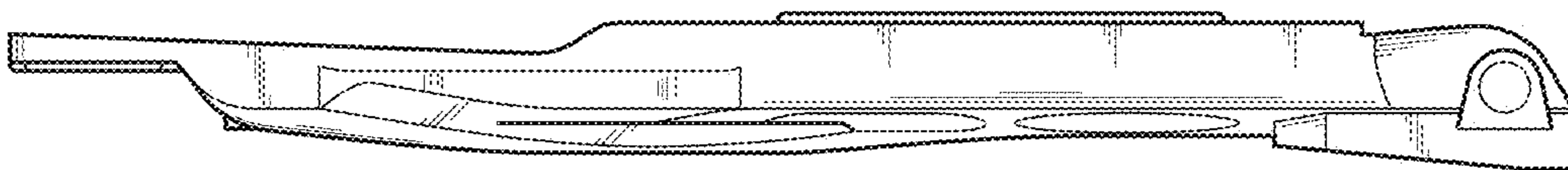
**FIG. 3**



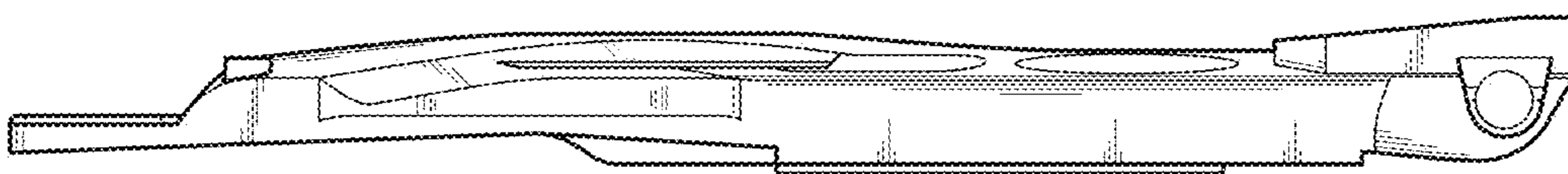
**FIG. 4**



**FIG. 5**



**FIG. 6**



**FIG. 7**