



US00D883065S

(12) **United States Design Patent** (10) **Patent No.:** **US D883,065 S**  
**Ignarra** (45) **Date of Patent:** **\*\* May 5, 2020**

(54) **HANDLE FOR A VEHICLE**

(56) **References Cited**

(71) Applicants: **Warner Science Applications Corp.**,  
Ontario, CA (US); **Paramount**  
**Automotive Restyling Inc.**, Ontario,  
CA (US)

U.S. PATENT DOCUMENTS

(72) Inventor: **Ricardo S. Ignarra**, La Habra Heights,  
CA (US)

D197,210	S	*	12/1963	Hill	.....	D8/302
4,886,310	A	*	12/1989	Cyr	.....	E05B 1/0038
						292/336.3
6,240,751	B1	*	6/2001	Marzolf	.....	E05B 1/0038
						292/336.3
D453,100	S	*	1/2002	Finkelstein	.....	D8/302
D506,377	S	*	6/2005	Marzolf	.....	D8/300
D536,595	S	*	2/2007	Sakamoto	.....	D8/302
D621,679	S	*	8/2010	Ectors	.....	D8/302
D629,275	S	*	12/2010	Schmidt	.....	D8/300
8,042,845	B2	*	10/2011	Tanimoto	.....	E05B 81/78
						292/336.3
D668,927	S	*	10/2012	Matei	.....	D8/302
D672,219	S	*	12/2012	Blanski	.....	D8/302
D677,143	S	*	3/2013	Blanski	.....	D8/302
D706,110	S	*	6/2014	Williams	.....	D8/331
D708,924	S	*	7/2014	Kraus	.....	D8/302
2002/0148259	A1	*	10/2002	Finkelstein	.....	E05B 65/0053
						70/92
2010/0088855	A1	*	4/2010	Ruse	.....	E05B 77/06
						16/412

(73) Assignees: **Warner Science Applications Corp.**,  
Ontario, CA (US); **Paramount**  
**Automotive Restyling Inc.**, Ontario,  
CA (US)

(\*\*) Term: **15 Years**

(21) Appl. No.: **29/621,148**

(22) Filed: **Oct. 4, 2017**

(51) **LOC (12) Cl.** ..... **08-06**

(52) **U.S. Cl.**  
USPC ..... **D8/302**

(58) **Field of Classification Search**  
USPC ..... D8/301, 302, 313, 315, 316, 318, 319,  
D8/320, 331  
CPC ... Y10T 16/44; Y10T 292/57; Y10T 70/5761;  
Y10T 70/5832; Y10T 16/458; Y10T  
292/1047; Y10T 16/513; Y10T 70/5889;  
Y10T 16/498; Y10T 70/5792; Y10T  
16/476; Y10T 16/86; Y10T 70/7062;  
Y10T 70/8568; Y10T 16/4713; Y10T  
70/5819; Y10T 70/5155; Y10T 74/20732;  
Y10T 292/097; Y10T 292/1059; Y10T  
70/7113; Y10T 70/7305; Y10T 292/1014;  
Y10T 292/1052; Y10S 292/23; Y10S  
292/53; Y10S 292/31; Y10S 292/64;  
Y10S 70/31

See application file for complete search history.

(Continued)

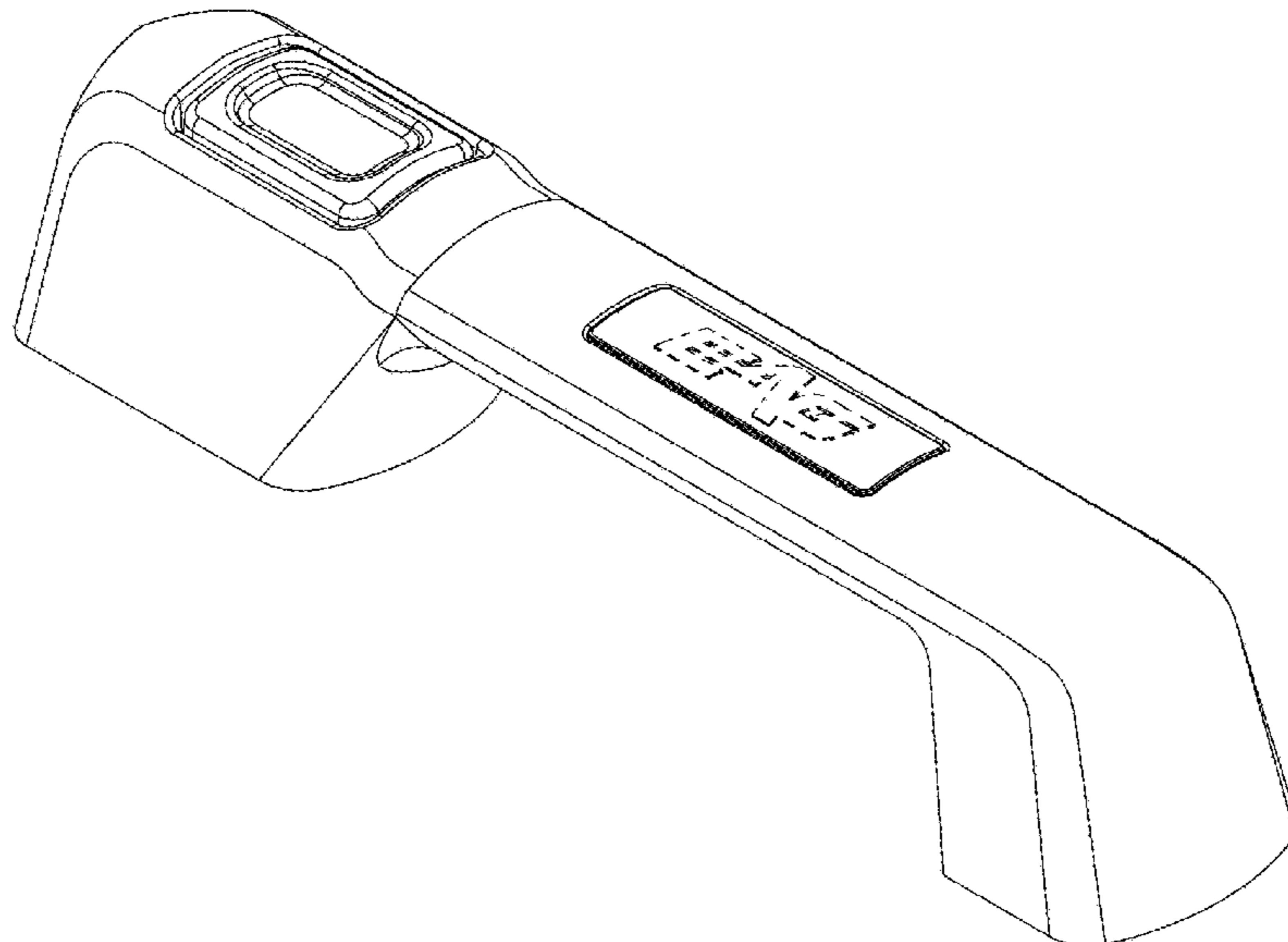
*Primary Examiner* — Lauren R Calve  
(74) *Attorney, Agent, or Firm* — Chen Yoshimura LLP

(57) **CLAIM**  
The ornamental design for a handle for a vehicle, as shown  
and described.

**DESCRIPTION**

FIG. 1 is a front, bottom and right side perspective view of  
a handle for a vehicle showing my new design;  
FIG. 2 is a front elevational view thereof;  
FIG. 3 is a left side elevational view thereof;  
FIG. 4 is a right side elevational view thereof;  
FIG. 5 is a top plan view thereof; and,  
FIG. 6 is a bottom plan view thereof.  
The broken lines shown are included for the purpose of  
illustrating environmental structures and form no part of the  
claimed design.

**1 Claim, 6 Drawing Sheets**



(56)

**References Cited**

U.S. PATENT DOCUMENTS

2013/0107557 A1\* 5/2013 Dingman ..... B60Q 1/2665  
362/501  
2014/0310916 A1\* 10/2014 Shimizu ..... E05B 81/76  
16/412  
2014/0338409 A1\* 11/2014 Kraus ..... E05B 81/76  
70/278.1  
2015/0368936 A1\* 12/2015 Chappuis ..... B60J 5/0416  
49/460  
2016/0076280 A1\* 3/2016 Rudraraju ..... E05B 77/06  
292/336.3  
2016/0138304 A1\* 5/2016 Nagata ..... E05B 81/78  
292/336.3  
2016/0376819 A1\* 12/2016 Bingle ..... G07C 9/00658  
70/266

\* cited by examiner

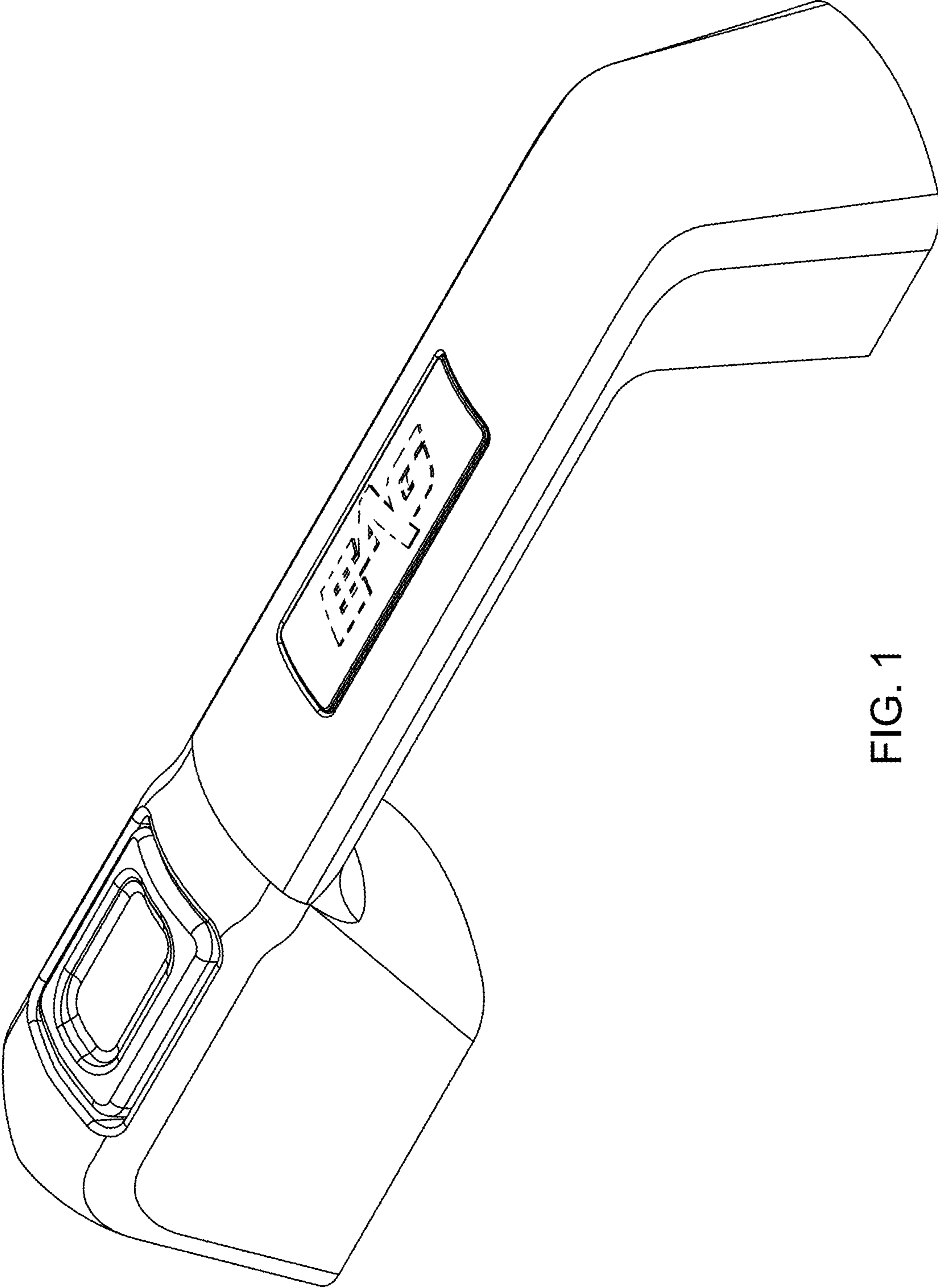


FIG. 1

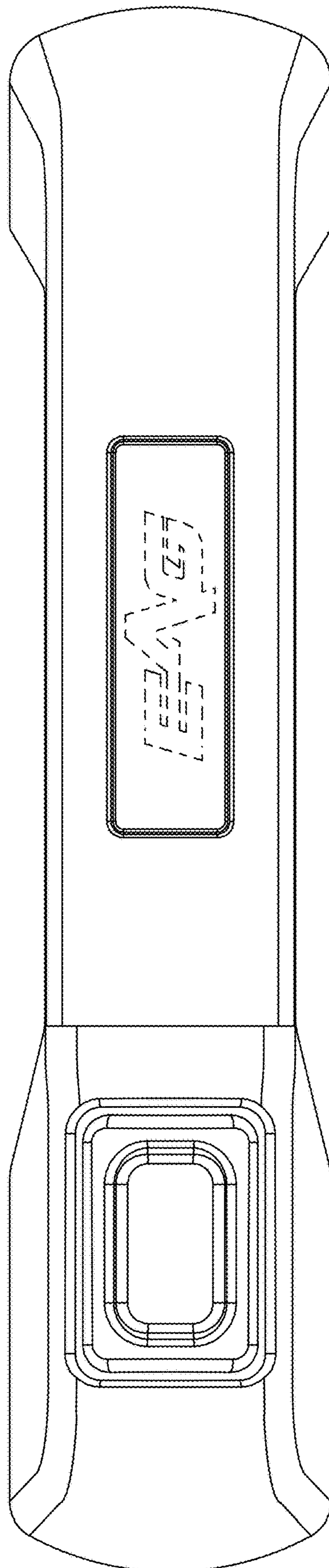


FIG. 2

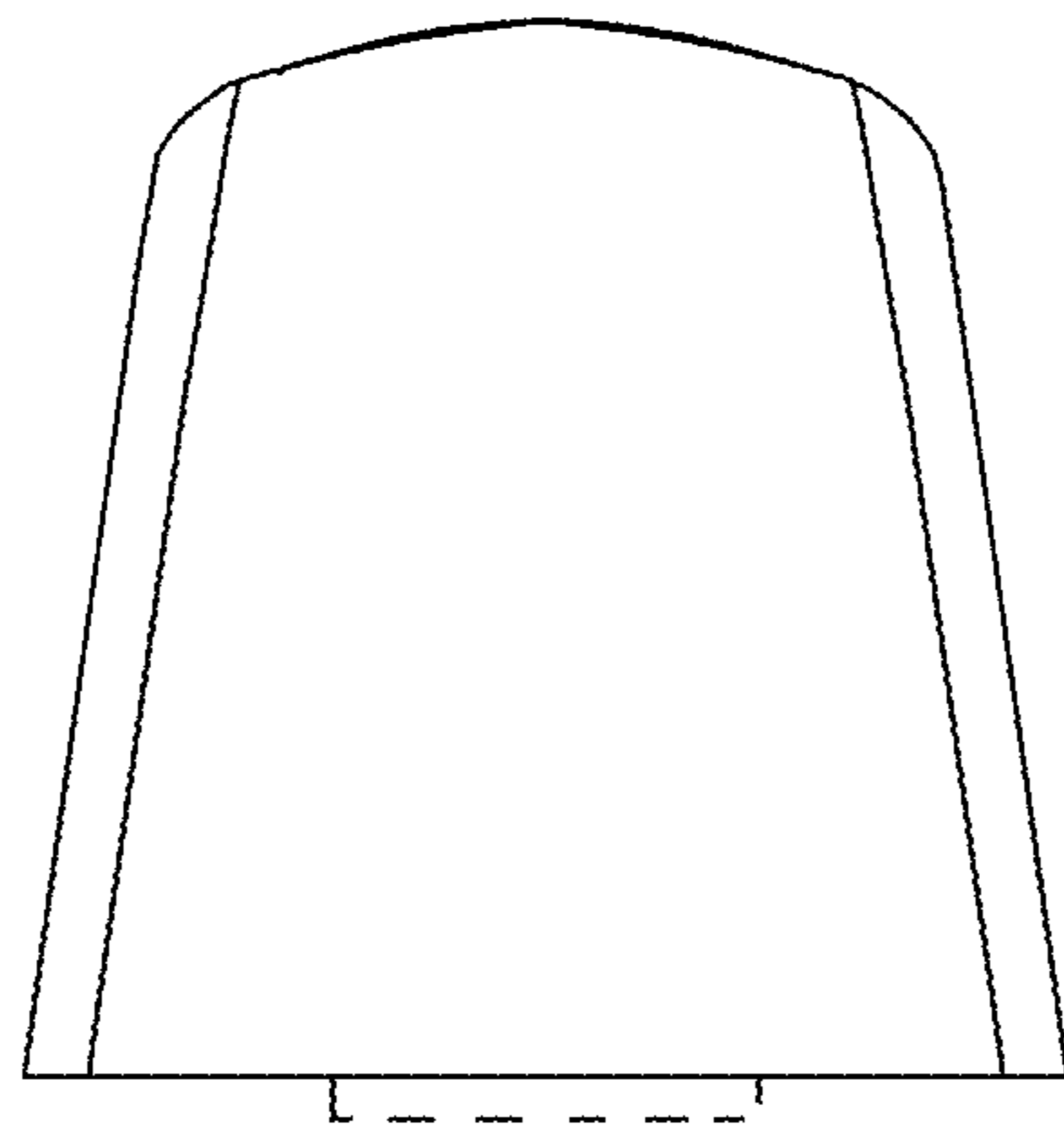


FIG. 3

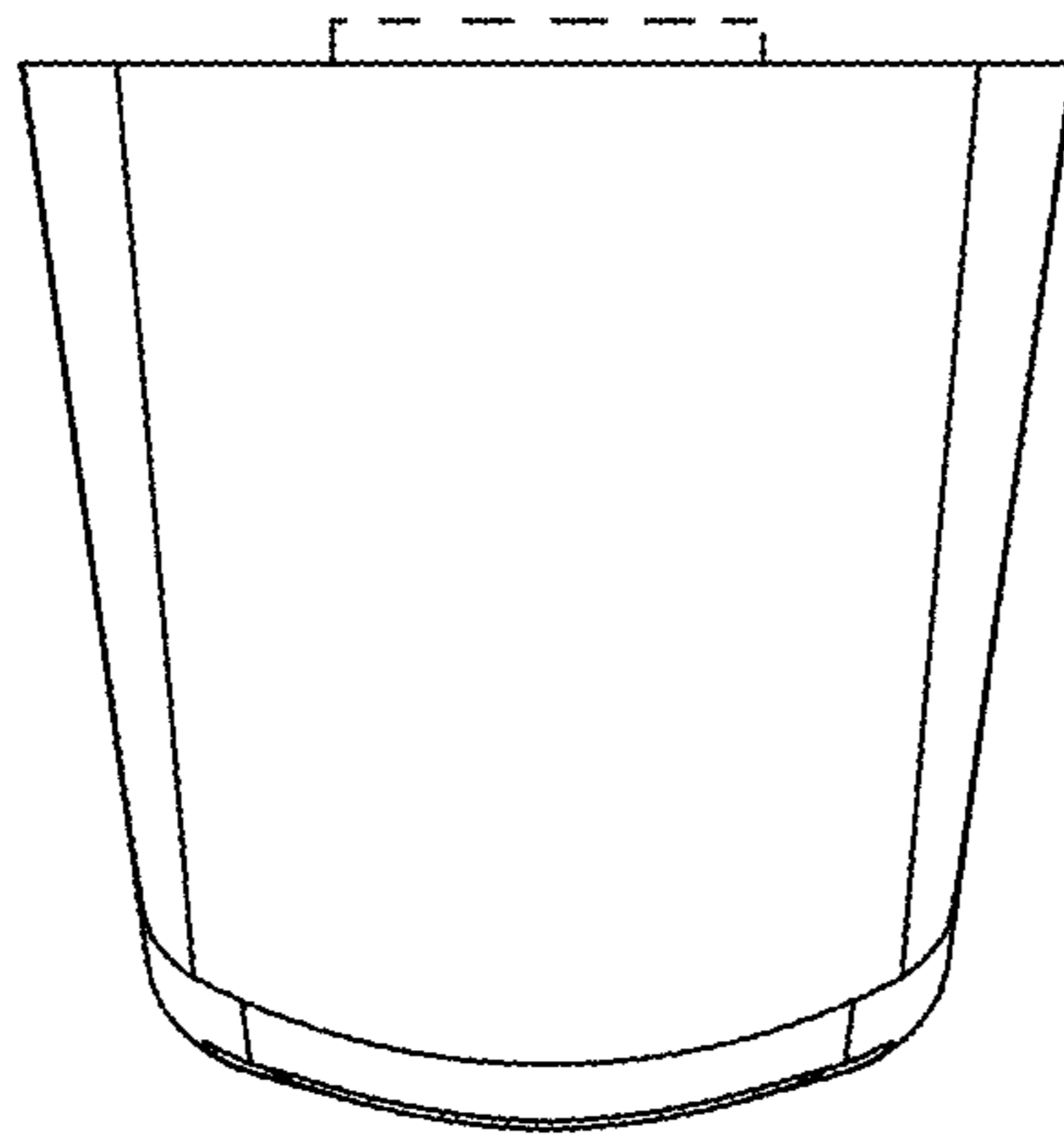


FIG. 4

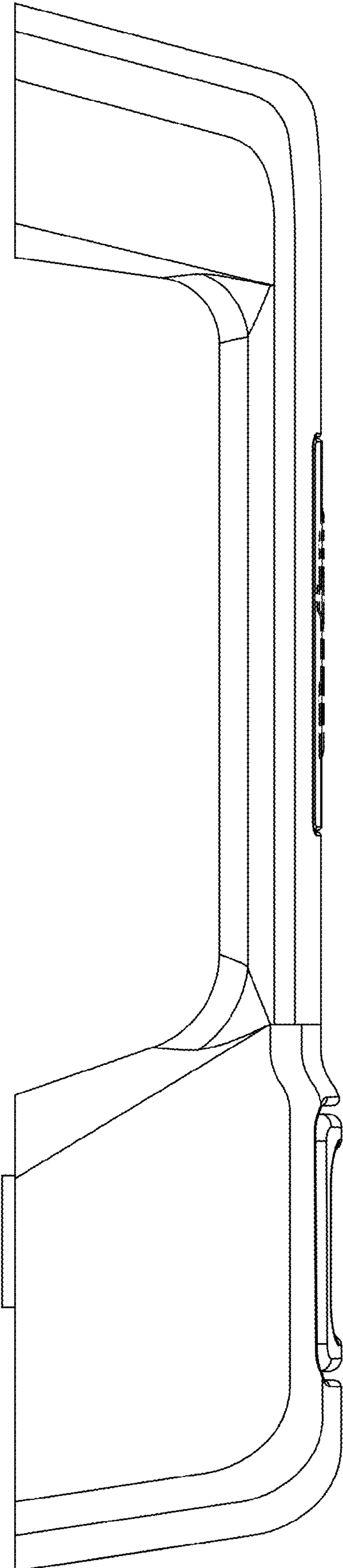


FIG. 5

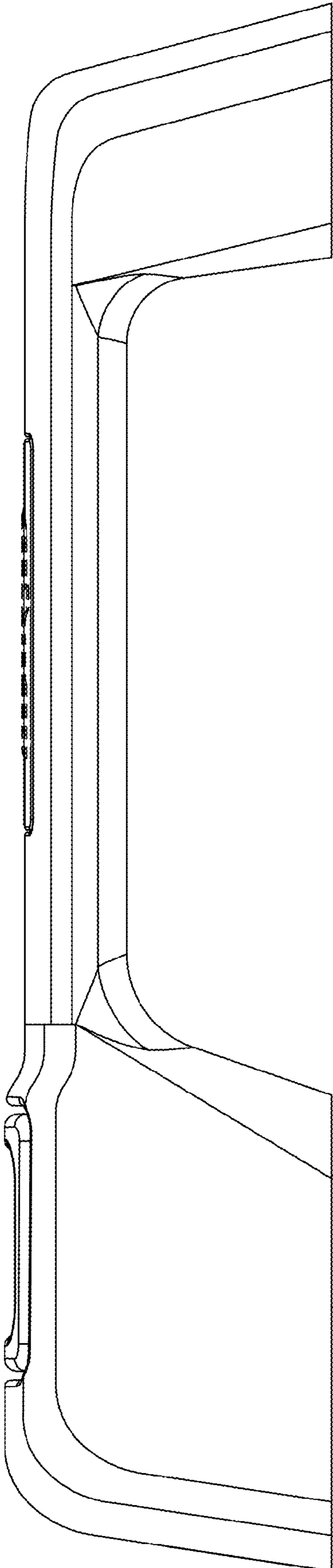


FIG. 6