



US00D883064S

(12) **United States Design Patent**
Aninion

(10) **Patent No.:** **US D883,064 S**

(45) **Date of Patent:** **** May 5, 2020**

(54) **MULTIFUNCTIONAL TOOL**

(71) Applicant: **Arlene Aninion**, Bakersfield, CA (US)

(72) Inventor: **Arlene Aninion**, Bakersfield, CA (US)

(**) Term: **15 Years**

(21) Appl. No.: **29/716,308**

(22) Filed: **Dec. 9, 2019**

(51) **LOC (12) Cl.** **08-05**

(52) **U.S. Cl.**
USPC **D8/105; D8/98**

(58) **Field of Classification Search**
USPC D8/105, 98, 81, 75
CPC A62B 3/00; A62B 3/005
See application file for complete search history.

(56) **References Cited**

U.S. PATENT DOCUMENTS

D365,163 S *	12/1995	Brogliato	D26/38
D435,209 S *	12/2000	Parsons	D8/98
D458,828 S *	6/2002	Starrett	D8/51
D470,030 S *	2/2003	Swier	D8/98
6,766,933 B1 *	7/2004	Wang	A62B 3/005 173/202
7,051,391 B2	5/2006	Wang		
D575,182 S *	8/2008	Rubin	D10/104.1
D577,562 S	9/2008	Lin		
7,487,565 B1	2/2009	Sundling		
D595,105 S	6/2009	White		
7,557,720 B2	7/2009	Rubin		
D630,079 S *	1/2011	Seeds	D8/105
D630,080 S *	1/2011	Seeds	D8/105
D642,444 S *	8/2011	Kommer	D8/105
8,015,643 B2	9/2011	White		
D699,542 S *	2/2014	Rubin	D8/105

D707,097 S	6/2014	Kao		
D732,369 S *	6/2015	Rubin	D8/105
9,254,560 B2	2/2016	Rubin		
D774,869 S *	12/2016	Royes	D8/105
10,214,170 B2 *	2/2019	Souders	A62B 3/005
10,265,874 B1 *	4/2019	Morgan	B25F 1/04
D874,240 S *	2/2020	Souders	D8/98
2009/0265858 A1 *	10/2009	White	A62B 3/005 7/158

FOREIGN PATENT DOCUMENTS

CA	2664437 A1	10/2009
WO	1991012981 A1	9/1991

* cited by examiner

Primary Examiner — Janice Hallmark

(57) **CLAIM**

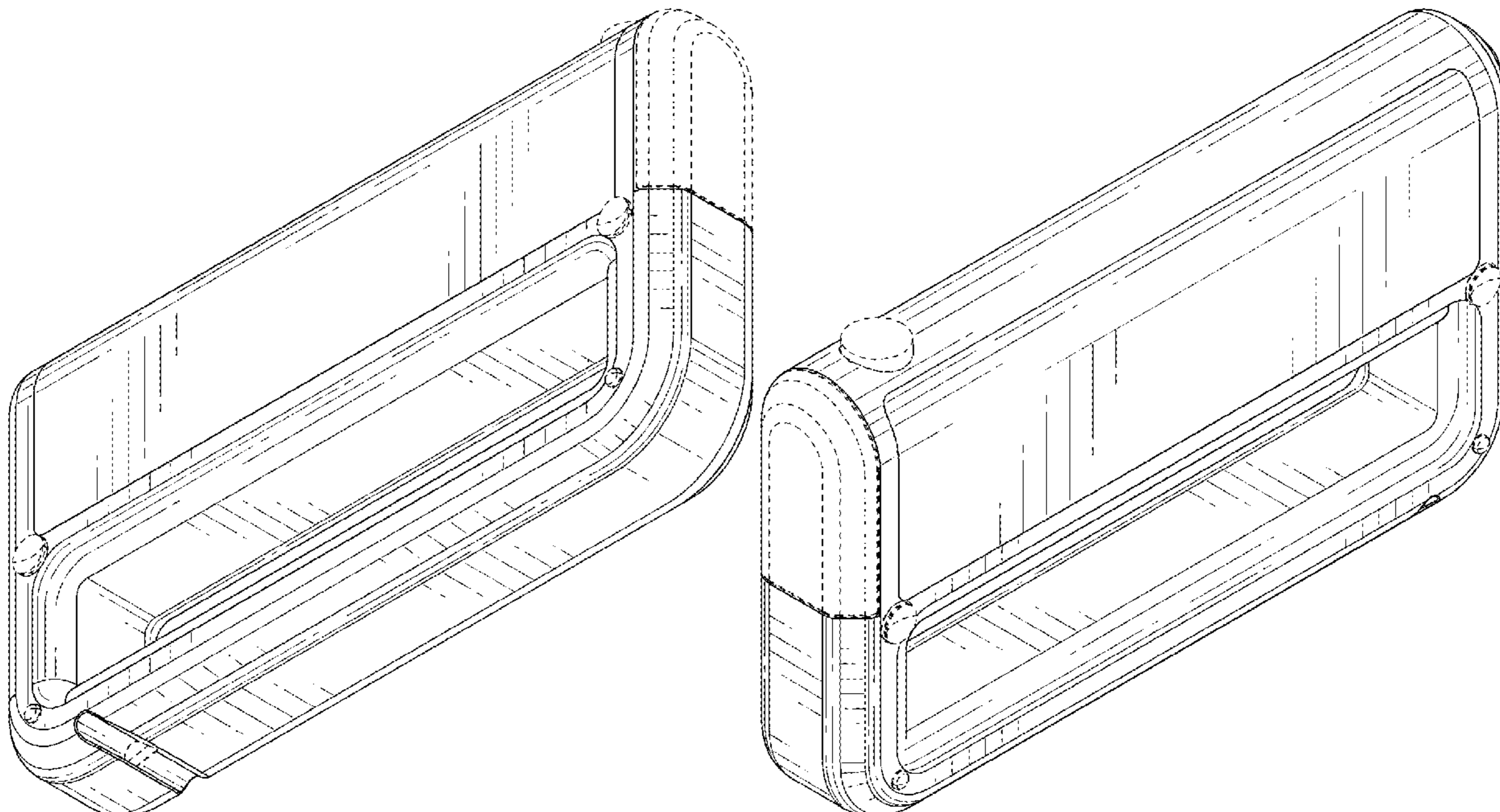
The ornamental design for a multifunctional tool, as shown and described.

DESCRIPTION

FIG. 1 is a front-top perspective view of a multifunctional tool showing my new design;
 FIG. 2 is a front-bottom perspective view thereof;
 FIG. 3 is a rear-top perspective view thereof;
 FIG. 4 is a rear-bottom perspective view thereof;
 FIG. 5 is a front elevational view thereof;
 FIG. 6 is a rear elevational view thereof;
 FIG. 7 is a left elevational view thereof;
 FIG. 8 is a right elevational view thereof;
 FIG. 9 is a top plan view thereof; and,
 FIG. 10 is a bottom plan view thereof.

The broken lines shown depict environmental subject matter and are for illustrative purposes only and form no part of the claimed design.

1 Claim, 10 Drawing Sheets



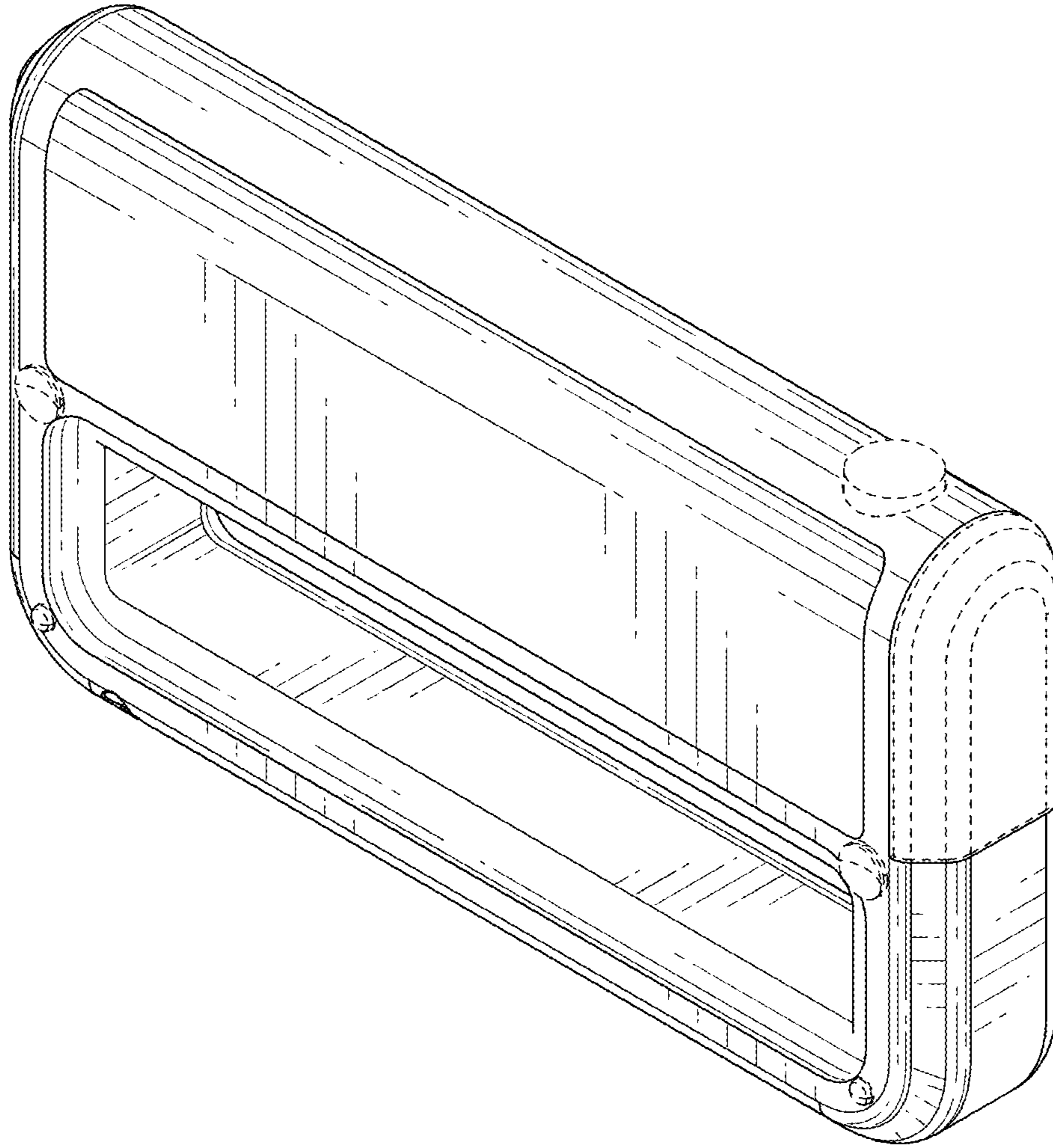


FIG. 1

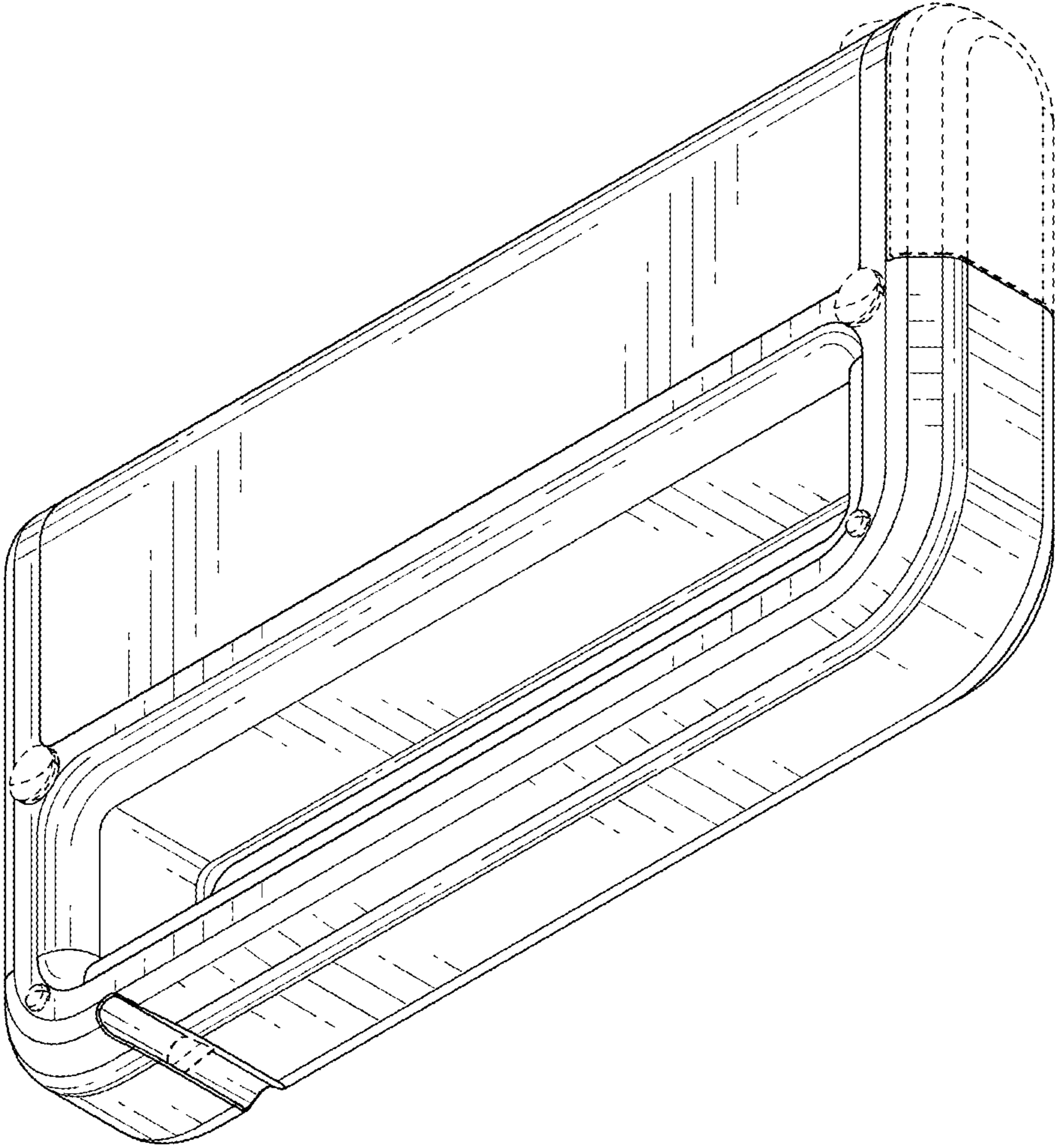


FIG. 2

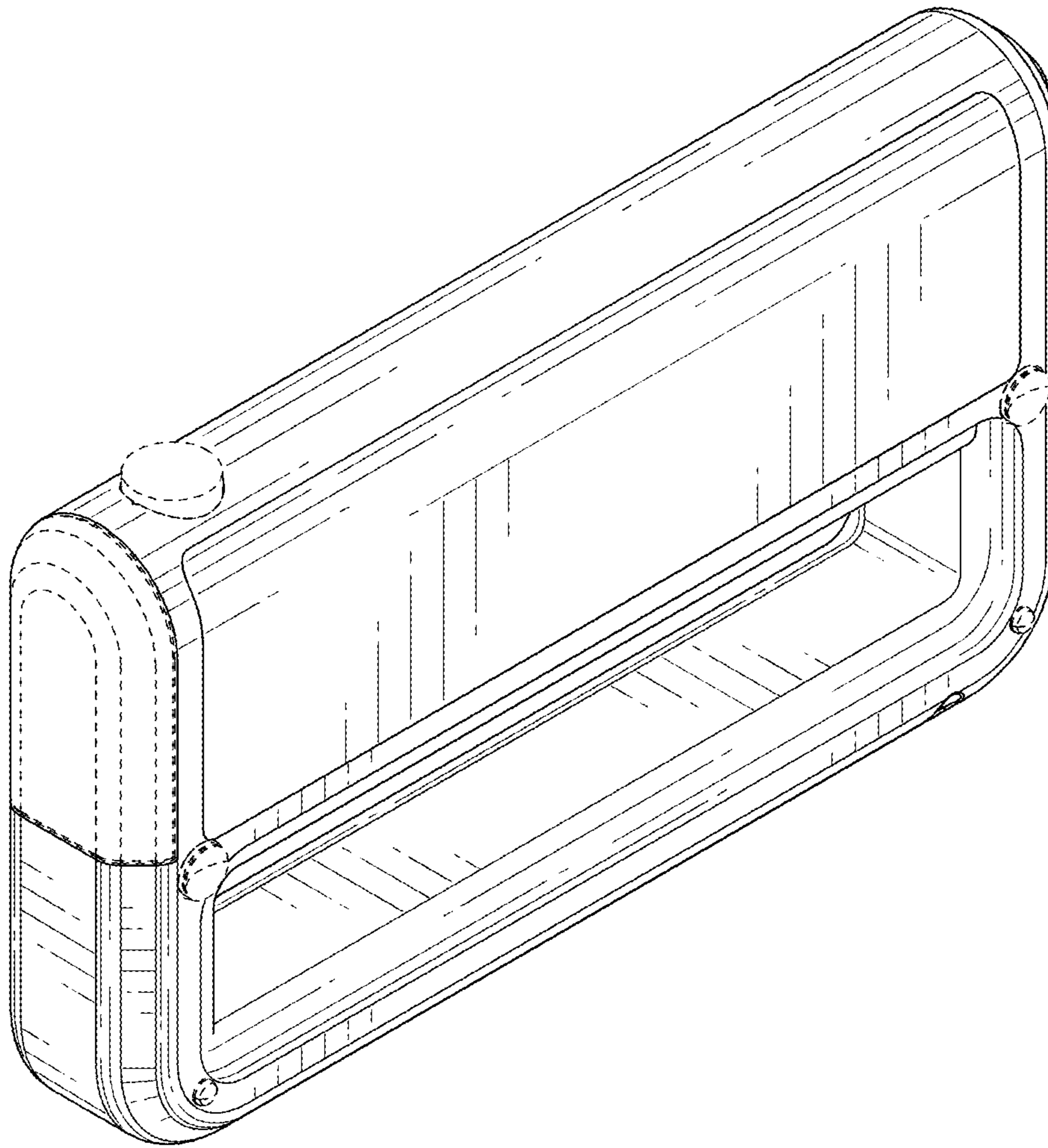


FIG. 3

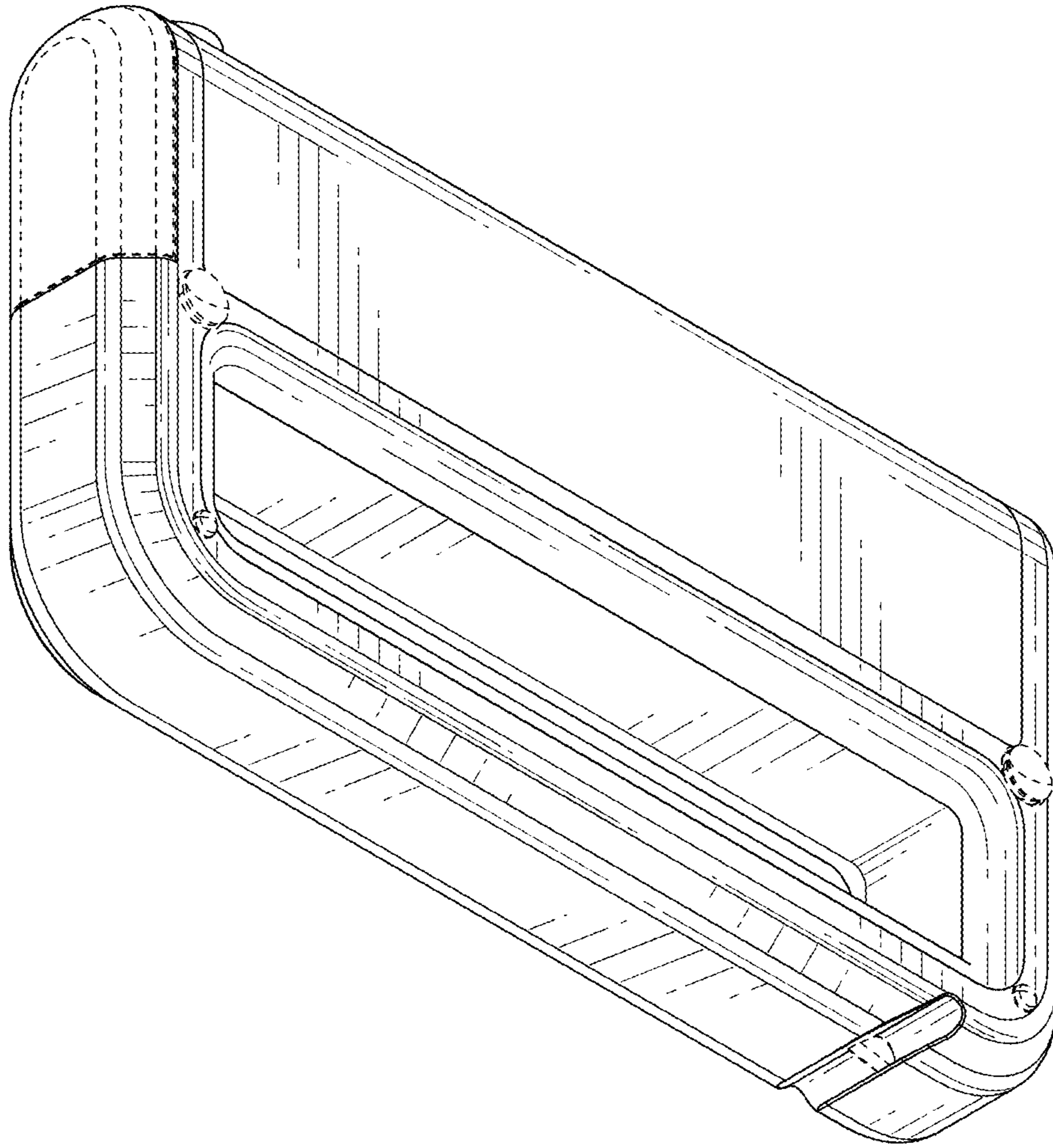


FIG. 4

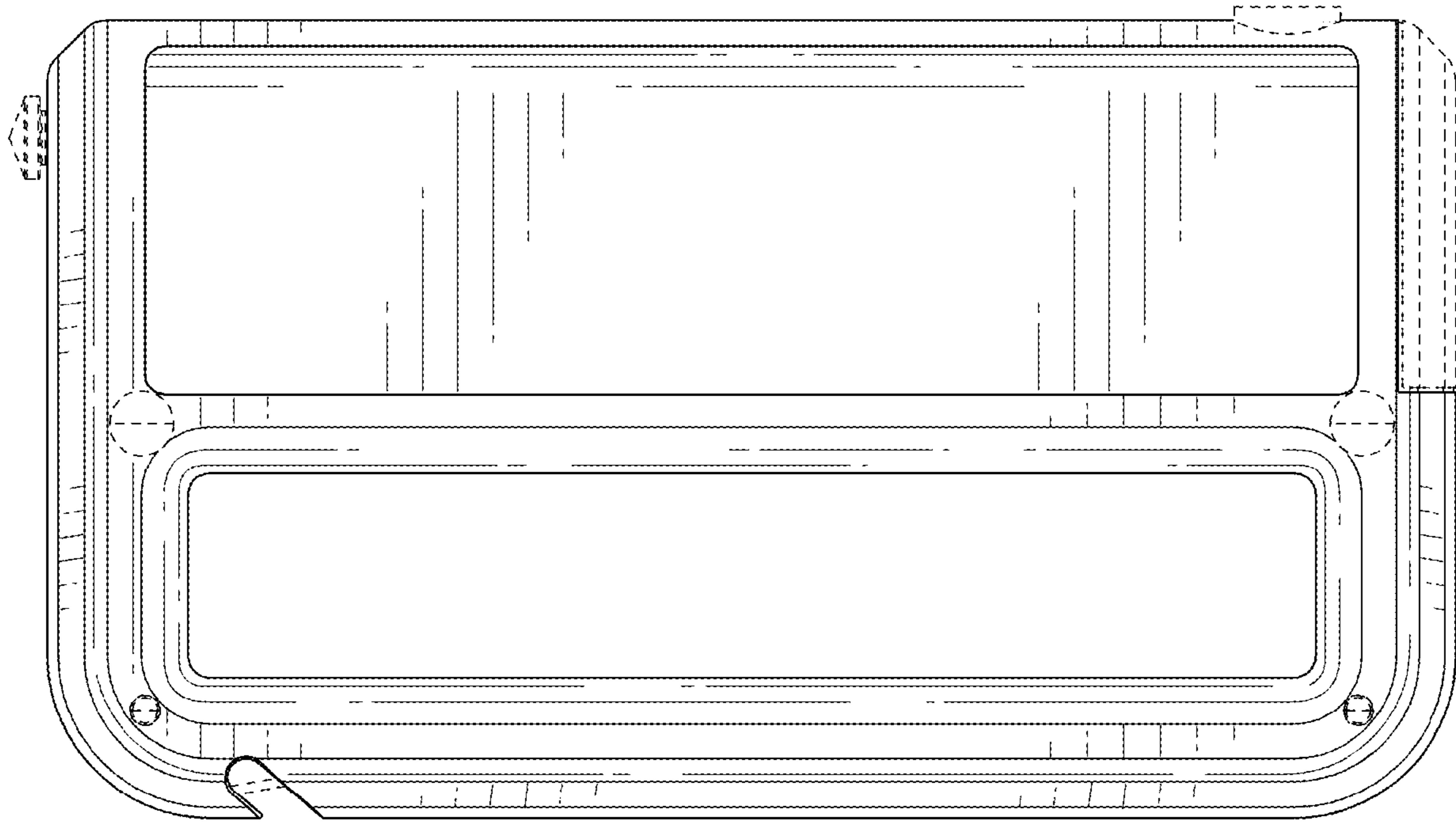


FIG. 5

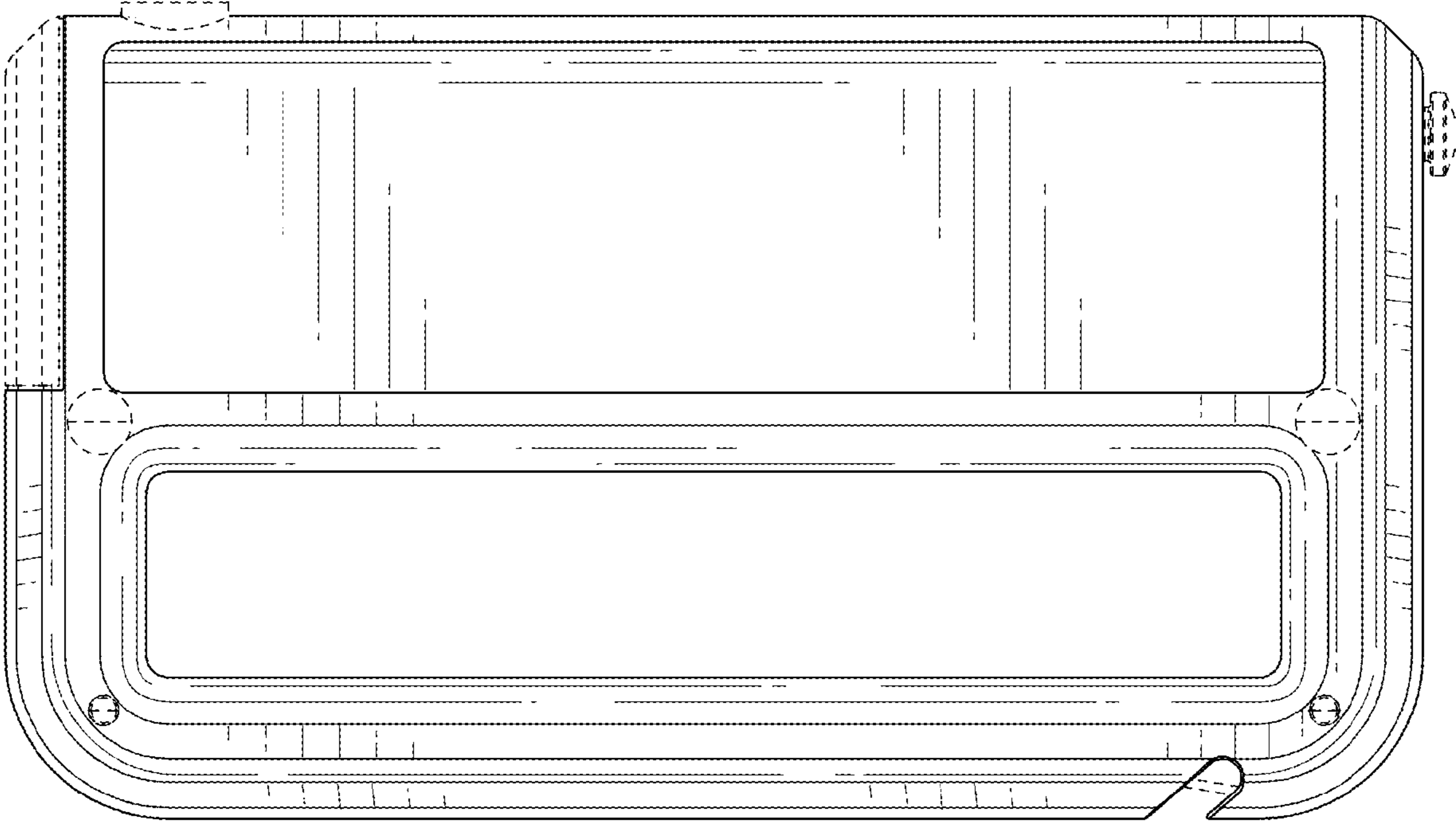


FIG. 6

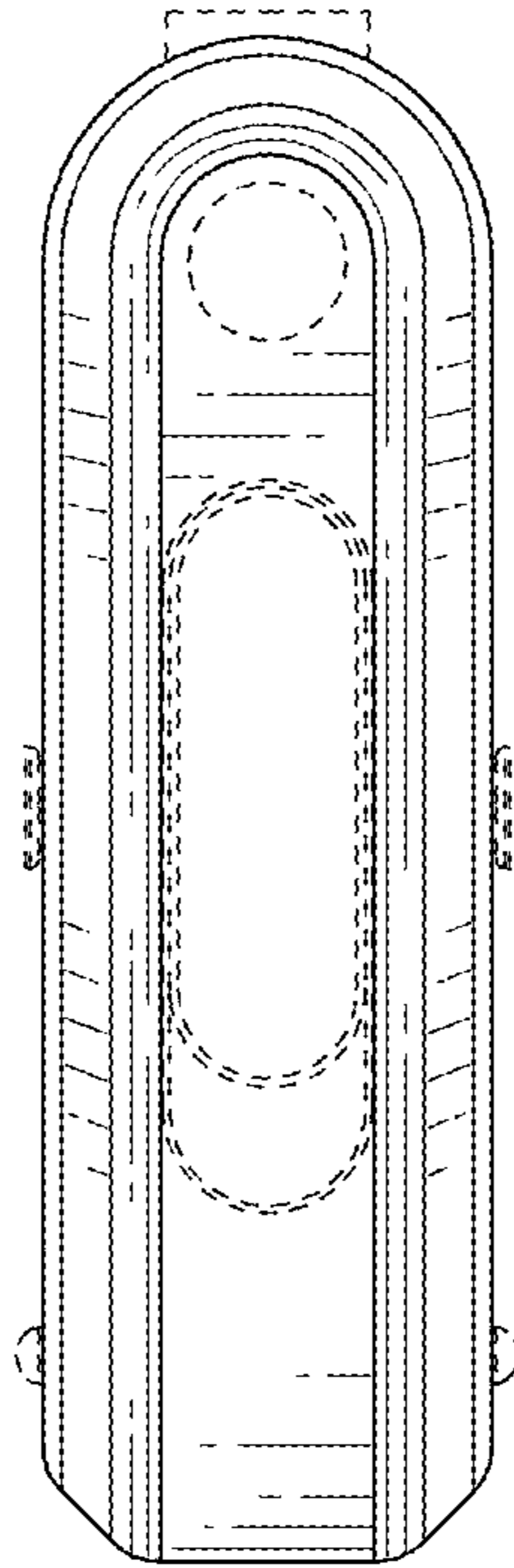


FIG. 7

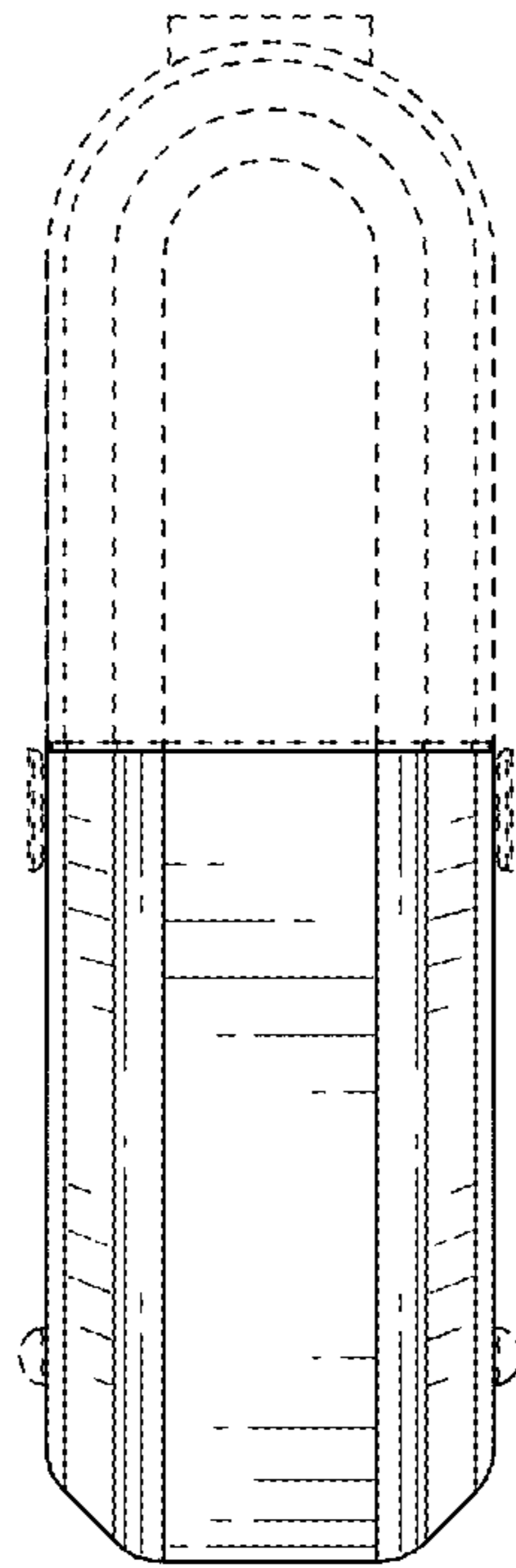


FIG. 8

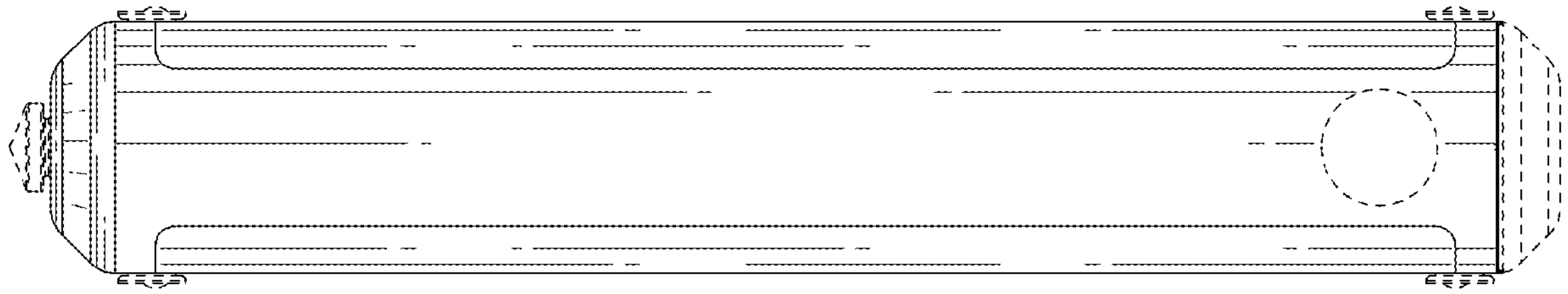


FIG. 9

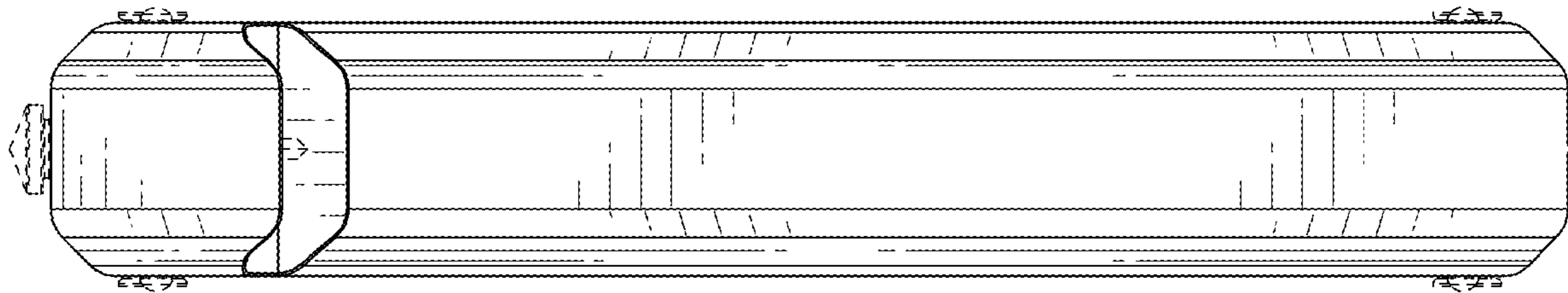


FIG. 10