



US00D883063S

(12) **United States Design Patent** (10) **Patent No.:** **US D883,063 S**
Moore (45) **Date of Patent:** **** May 5, 2020**

(54) **SANDING BLOCK**
(71) Applicant: **Troy Moore**, Concord, CA (US)
(72) Inventor: **Troy Moore**, Concord, CA (US)
(**) Term: **15 Years**
(21) Appl. No.: **29/641,647**
(22) Filed: **Mar. 23, 2018**
(51) **LOC (12) Cl.** **08-05**
(52) **U.S. Cl.**
USPC **D8/90**
(58) **Field of Classification Search**
USPC D8/14, 90, 91, 92, 93
CPC B24D 15/02; B24D 15/023; B24D 15/04;
B24D 18/0009; B24D 15/00
See application file for complete search history.

6,439,988 B1 8/2002 Long et al.
6,500,057 B1 12/2002 Medina
6,524,175 B2 2/2003 Beaudry, Jr.
6,544,113 B1 4/2003 Wheeler
D477,764 S * 7/2003 Magann D8/90
6,634,937 B1 * 10/2003 Edwards B24B 23/046
451/502
D569,128 S * 5/2008 Stearns D6/674
D587,089 S * 2/2009 Ali D8/90
7,621,802 B2 11/2009 McCarthy
7,793,789 B2 * 9/2010 Psaradellis A63H 18/14
211/13.1
8,834,235 B1 9/2014 Foster
8,968,057 B1 3/2015 Mor
9,156,135 B1 10/2015 Foster
9,168,639 B2 10/2015 Foster
D763,054 S * 8/2016 Ali D8/90
9,415,484 B1 8/2016 Mor

(Continued)

Primary Examiner — Philip S Hyder
(74) *Attorney, Agent, or Firm* — Antero Tormey Petrin;
Pete Tormey

(56) **References Cited**
U.S. PATENT DOCUMENTS

2,414,036 A 1/1947 Gerhan
4,263,755 A 4/1981 Globus
4,274,225 A * 6/1981 Knauff A63H 17/34
446/409
4,501,096 A 2/1985 Lukianoff
4,640,060 A 2/1987 Lukianoff
4,887,396 A 12/1989 Lukianoff
5,007,483 A 4/1991 McGuire
5,131,193 A 7/1992 Demers
5,177,909 A 1/1993 Klocke
5,203,123 A 4/1993 Travis
5,662,519 A 9/1997 Arnold
5,718,622 A 2/1998 Jones
5,759,090 A 6/1998 Kawate et al.
5,885,148 A 3/1999 Vargas
D425,731 S * 5/2000 So D6/675
6,099,603 A 8/2000 Johnson
6,120,365 A 9/2000 Johnson
6,152,298 A * 11/2000 Dods B65D 75/36
206/335

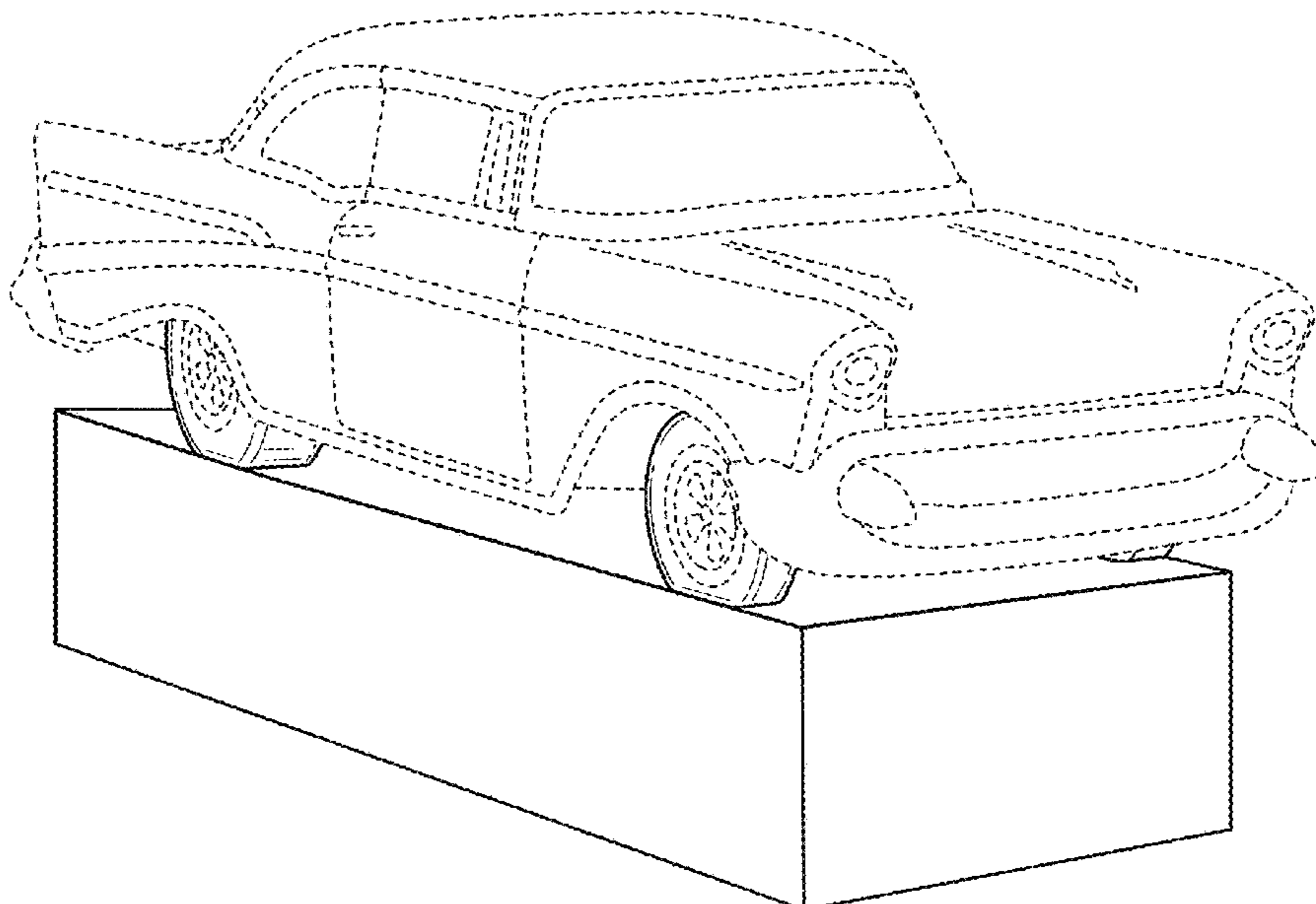
(57) **CLAIM**

The ornamental design for a sanding block, as shown and described.

DESCRIPTION

FIG. 1 is a front perspective view of a sanding block, showing my new design;
FIG. 2 is a front elevation view thereof;
FIG. 3 is a rear elevation view thereof;
FIG. 4 is a left side elevation view thereof;
FIG. 5 is a right side elevation view thereof;
FIG. 6 is a top plan view thereof; and,
FIG. 7 is a bottom plan view thereof.
The broken lines depict portions of the sanding block in which the design is embodied that are not considered part of the claimed design.

1 Claim, 7 Drawing Sheets



(56)

References Cited

U.S. PATENT DOCUMENTS

9,427,847	B2	8/2016	Lin
9,731,403	B2	8/2017	Lin
2002/0173258	A1	11/2002	Biddle
2007/0293130	A1	12/2007	Miekka et al.
2011/0275282	A1	11/2011	Popov
2012/0122379	A1	5/2012	McDonell

* cited by examiner

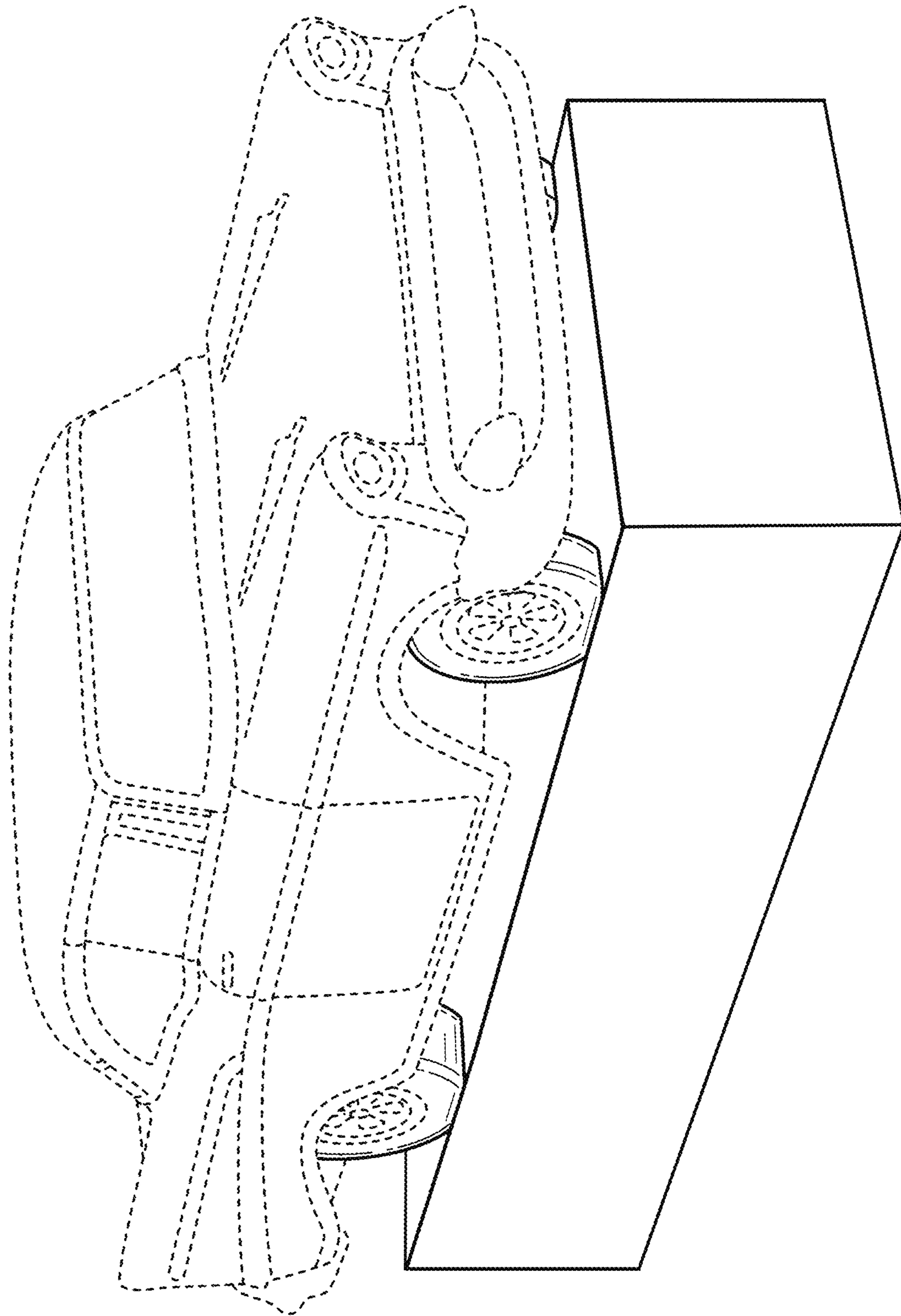


FIG. 1

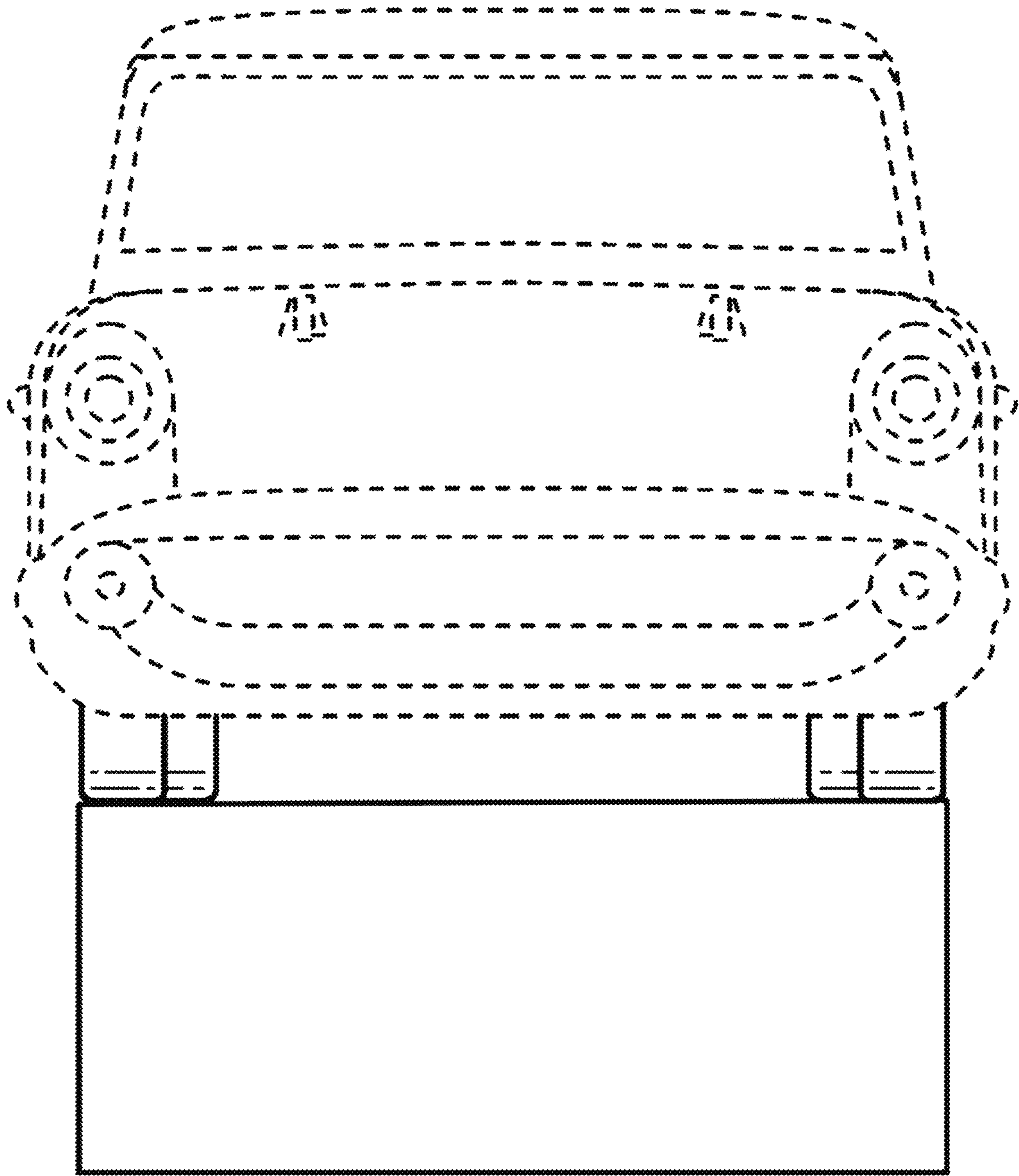


FIG. 2

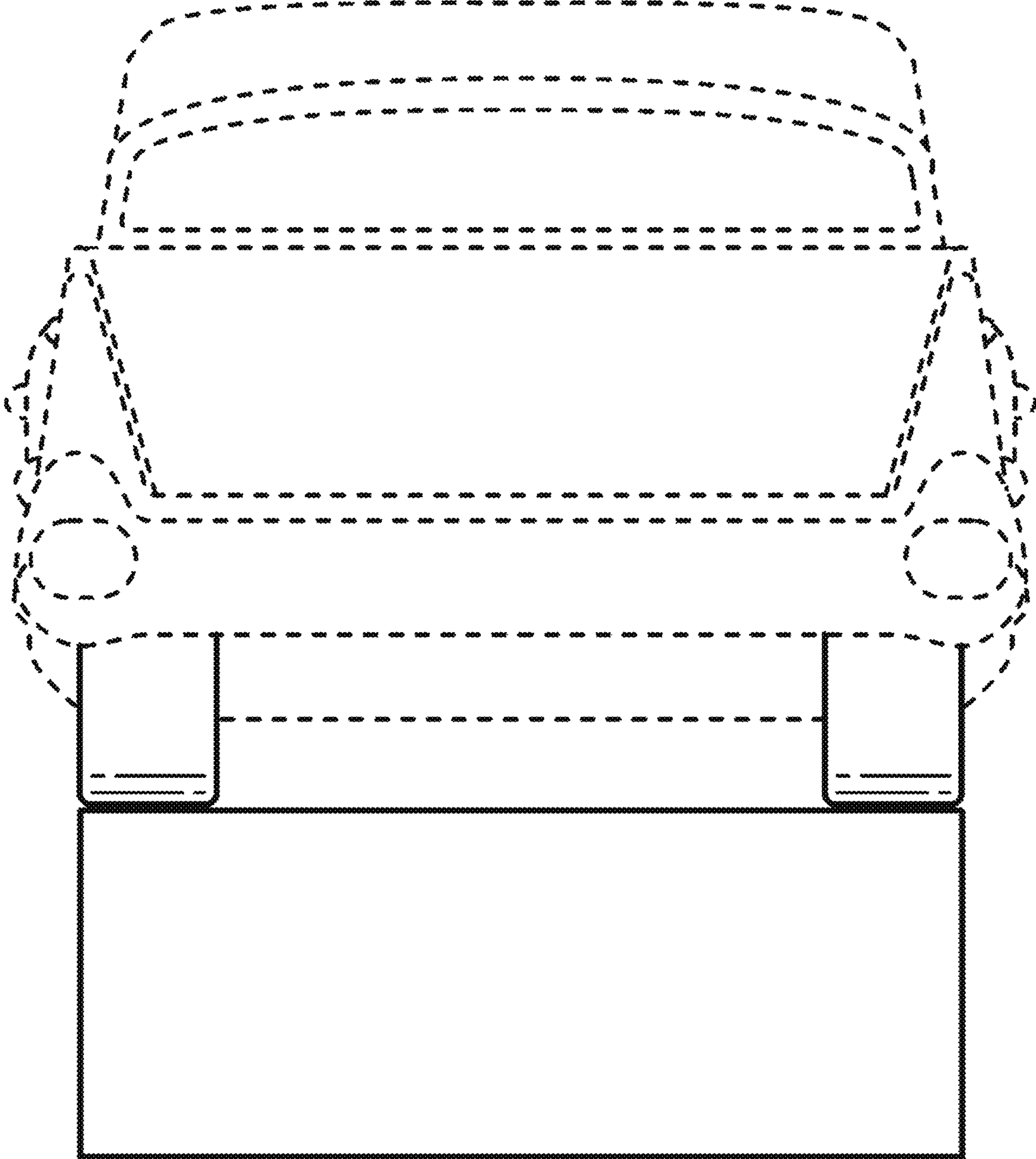


FIG. 3

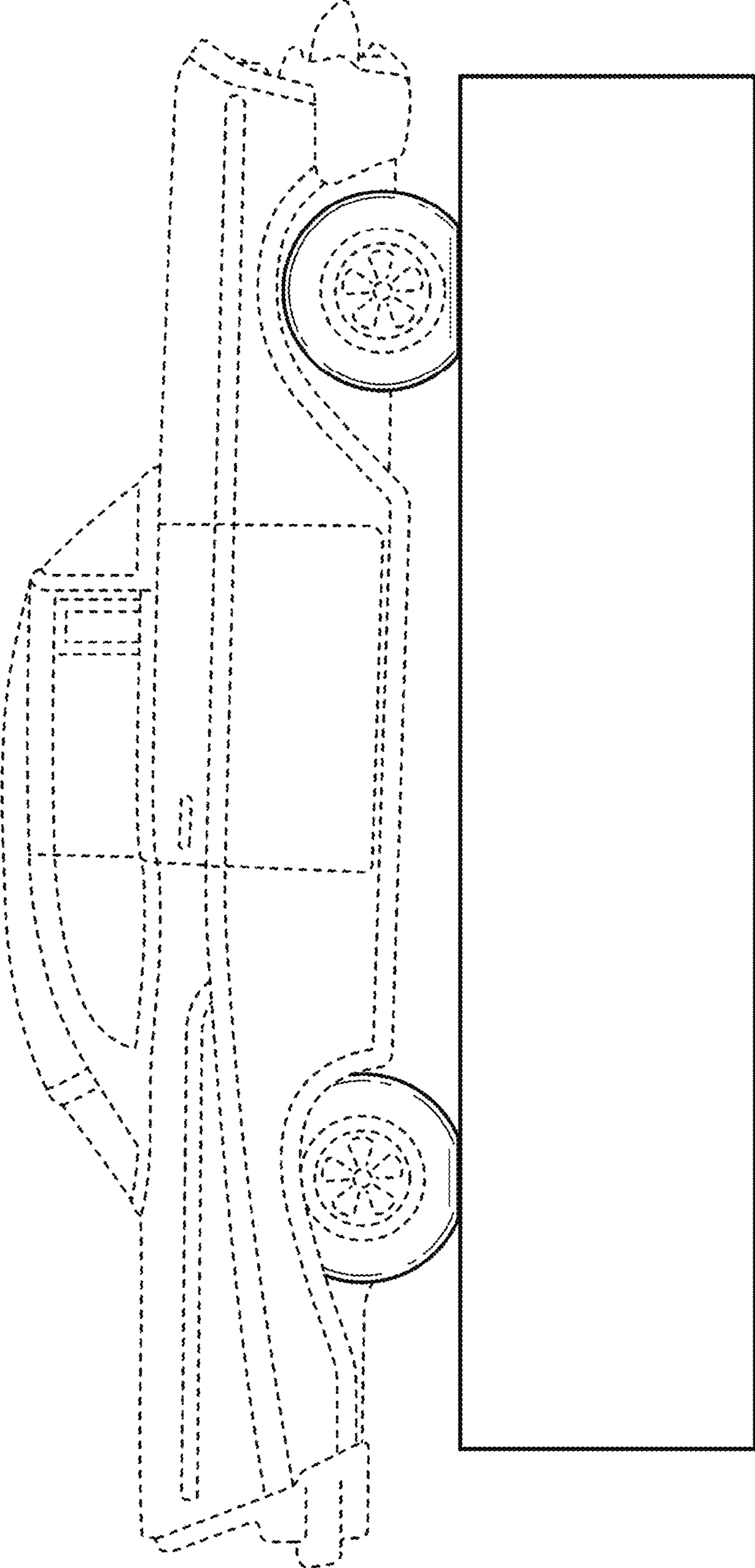


FIG. 4

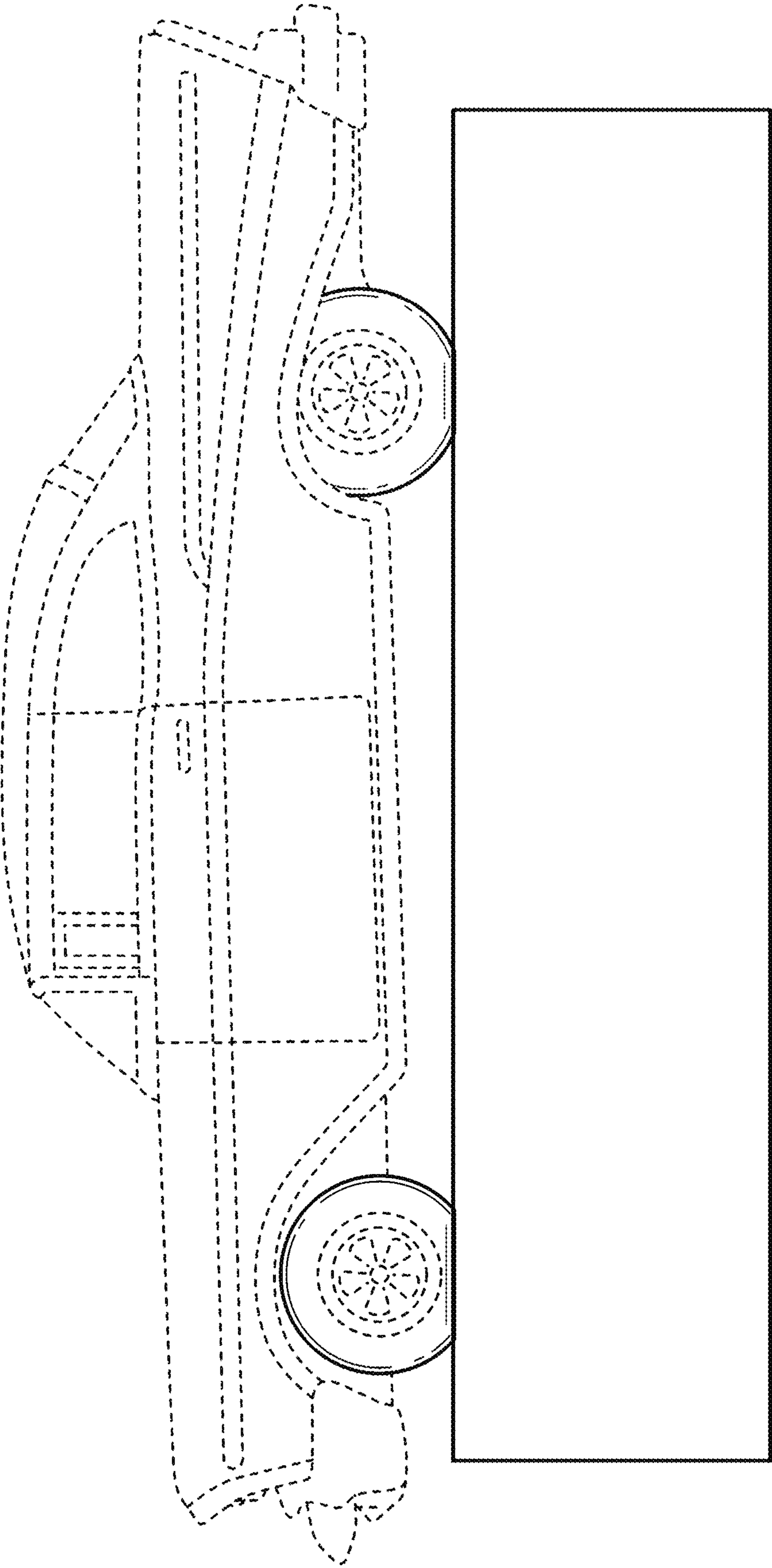


FIG. 5

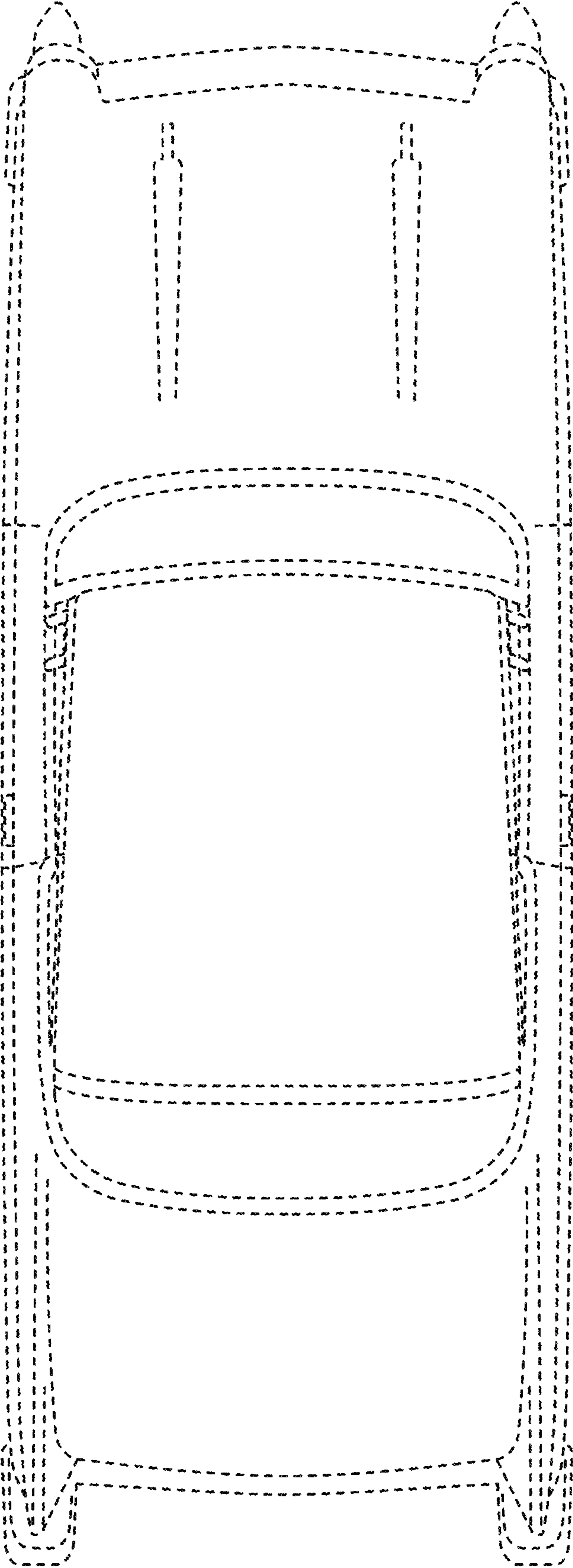


FIG. 6

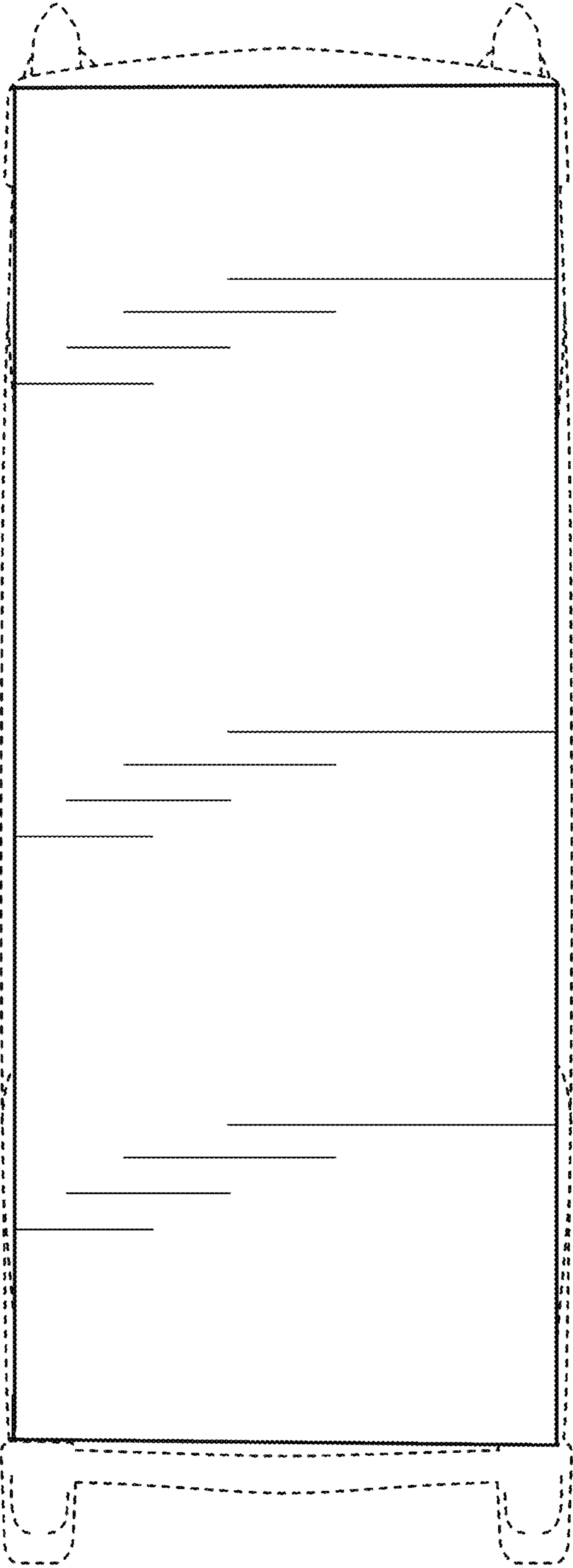


FIG. 7