



US00D883062S

(12) **United States Design Patent** (10) **Patent No.:** **US D883,062 S**  
**Wu** (45) **Date of Patent:** **\*\* May 5, 2020**

(54) **BIT**

(71) Applicant: **CORE Tool Group, Inc.**, Corona, CA (US)

(72) Inventor: **Zhong-Yue Wu**, Tainan (TW)

(73) Assignee: **CORE TOOL GROUP, INC.**, Corona, CA (US)

(\*\*) Term: **15 Years**

(21) Appl. No.: **29/694,498**

(22) Filed: **Jun. 11, 2019**

(51) **LOC (12) Cl.** ..... **08-04**

(52) **U.S. Cl.**  
USPC ..... **D8/86**

(58) **Field of Classification Search**  
USPC ..... D8/82, 83, 84, 85, 86  
CPC ... B25B 15/001; B25B 15/005; B25B 15/008;  
B25B 23/0007; B25B 23/0035; B25B  
23/0042; B25B 23/0021; B25G 1/085;  
F16B 26/0053

See application file for complete search history.

(56) **References Cited**

**U.S. PATENT DOCUMENTS**

5,868,047	A *	2/1999	Faust	.....	B23P 15/00
					81/438
D462,596	S *	9/2002	Fruhm	.....	D8/86
D623,036	S *	9/2010	DeBaker	.....	D8/86
D645,328	S	9/2011	Hsu		
D646,138	S *	10/2011	Hsu	.....	D8/86
D646,547	S *	10/2011	DeBaker	.....	B25B 15/002
					D8/86
D653,519	S	2/2012	Lucio et al.		

(Continued)

Primary Examiner — Philip S Hyder

(74) *Attorney, Agent, or Firm* — Umberg Zipser LLP

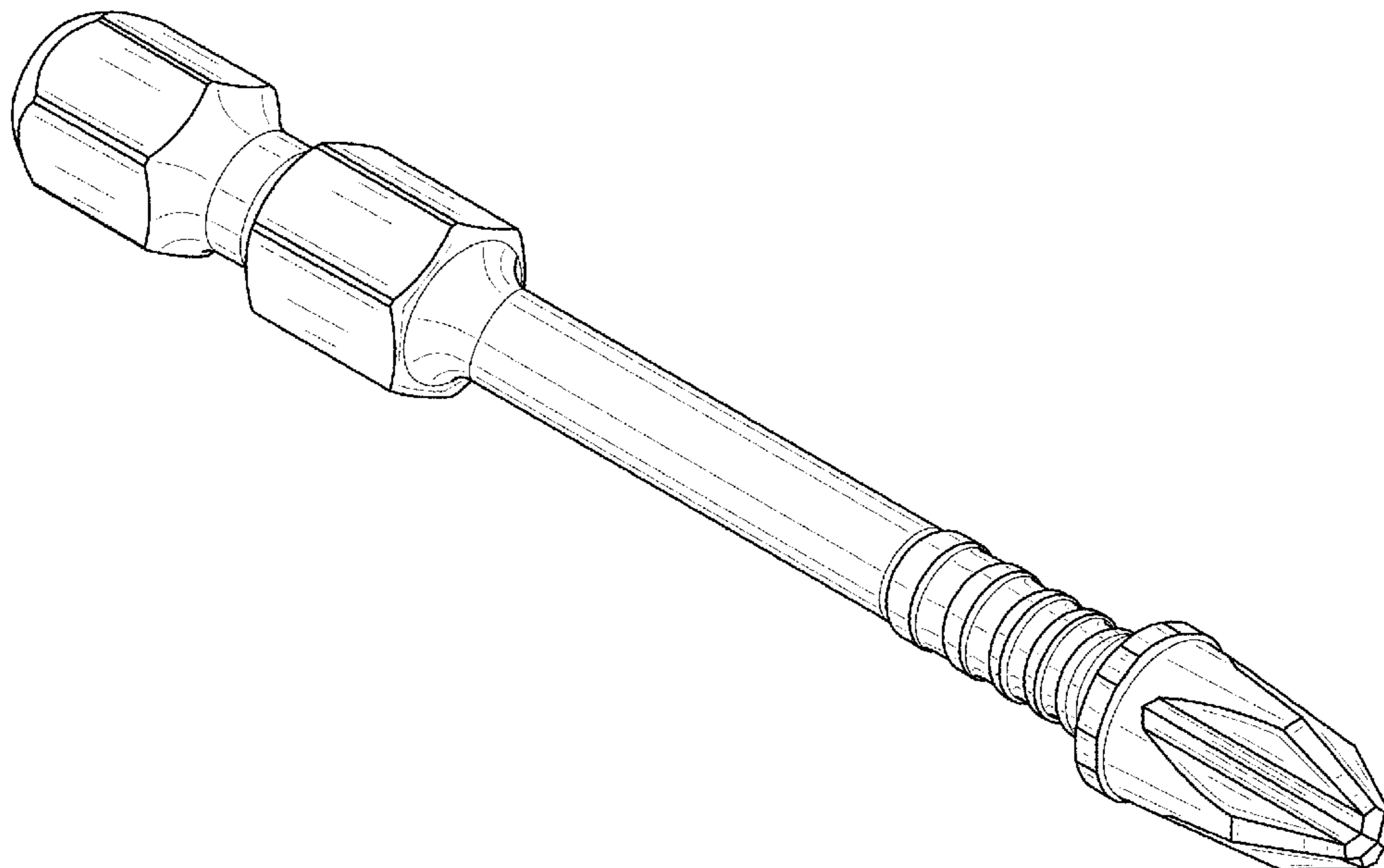
(57) **CLAIM**

I claim the ornamental design for bit, as shown and described.

**DESCRIPTION**

FIG. 1 is a perspective view of a first embodiment of a bit.  
 FIG. 2 is a front elevation view of the bit of FIG. 1.  
 FIG. 3 is a back elevation view of the bit of FIG. 1.  
 FIG. 4 is a bottom plan view of the bit of FIG. 1.  
 FIG. 5 is a top plan view of the bit of FIG. 1.  
 FIG. 6 is a left side elevation view of the bit of FIG. 1.  
 FIG. 7 is a right side elevation view of the bit of FIG. 1.  
 FIG. 8 is a perspective view of a second embodiment of a bit.  
 FIG. 9 is a front elevation view of the bit of FIG. 8.  
 FIG. 10 is a back elevation view of the bit of FIG. 8.  
 FIG. 11 is a bottom plan view of the bit of FIG. 8.  
 FIG. 12 is a top plan view of the bit of FIG. 8.  
 FIG. 13 is a left side elevation view of the bit of FIG. 8.  
 FIG. 14 is a right side elevation view of the bit of FIG. 8.  
 FIG. 15 is a perspective view of a third embodiment of a bit.  
 FIG. 16 is a front elevation view of the bit of FIG. 15.  
 FIG. 17 is a back elevation view of the bit of FIG. 15.  
 FIG. 18 is a bottom plan view of the bit of FIG. 15.  
 FIG. 19 is a top plan view of the bit of FIG. 15.  
 FIG. 20 is a left side elevation view of the bit of FIG. 15.  
 FIG. 21 is a right side elevation view of the bit of FIG. 15.  
 FIG. 22 is a perspective view of a fifth embodiment of a bit.  
 FIG. 23 is a front elevation view of the bit of FIG. 22.  
 FIG. 24 is a back elevation view of the bit of FIG. 22.  
 FIG. 25 is a bottom plan view of the bit of FIG. 22.  
 FIG. 26 is a top plan view of the bit of FIG. 22.  
 FIG. 27 is a left side elevation view of the bit of FIG. 22;  
 and,  
 FIG. 28 is a right side elevation view of the bit of FIG. 22.

**1 Claim, 12 Drawing Sheets**



(56)

**References Cited**

U.S. PATENT DOCUMENTS

D707,524 S 6/2014 Chen  
D725,984 S 4/2015 Moss et al.  
D726,521 S 4/2015 Moss et al.  
9,010,223 B2\* 4/2015 Huang ..... B25B 15/005  
81/436  
9,132,534 B2\* 9/2015 Lai ..... B25B 15/005  
D752,408 S\* 3/2016 Moss ..... D8/86  
D753,979 S 4/2016 Liu  
D759,456 S\* 6/2016 Liu ..... D8/86  
D761,071 S 7/2016 Tsang  
D778,137 S 2/2017 Tao  
D778,704 S 2/2017 Chen  
D789,761 S 6/2017 Moss et al.  
9,737,977 B2\* 8/2017 Taguchi ..... B25B 15/005  
D821,842 S 7/2018 Hsu  
D827,406 S 9/2018 Su  
10,150,205 B2\* 12/2018 Santamarina ..... B25B 23/0035  
D838,566 S 1/2019 Moss et al.  
D841,425 S 2/2019 Moss et al.

\* cited by examiner

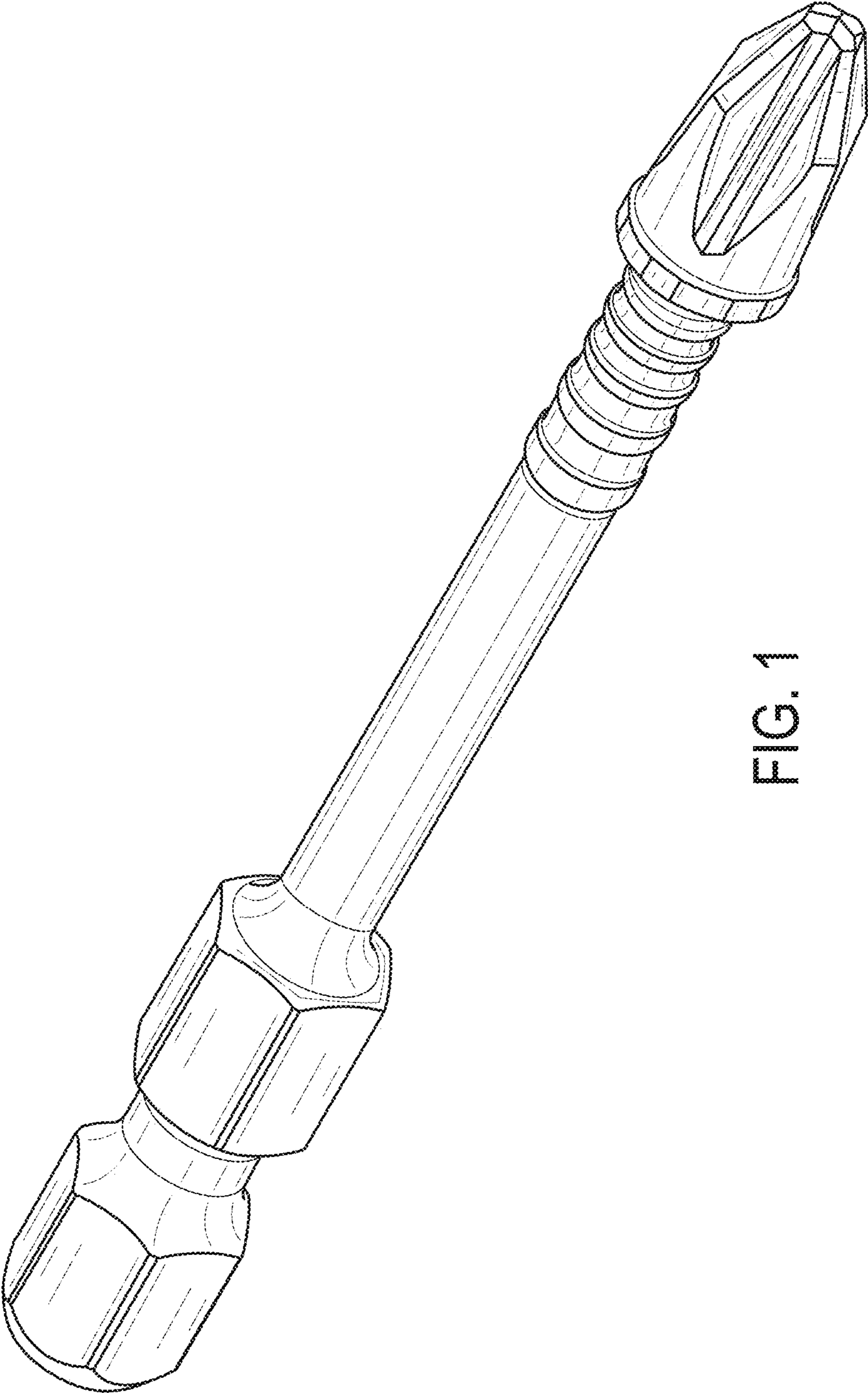


FIG. 1

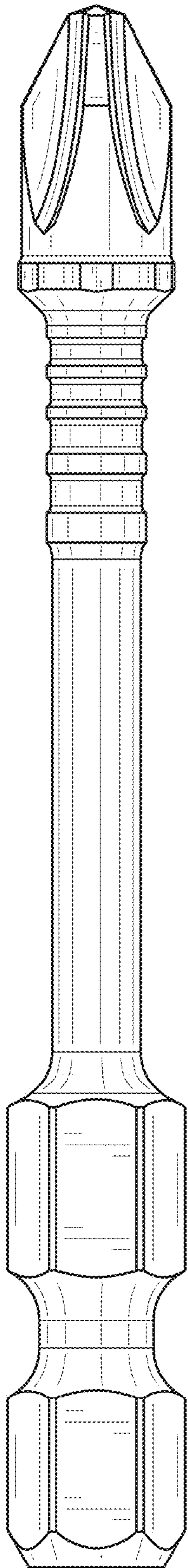


FIG. 2

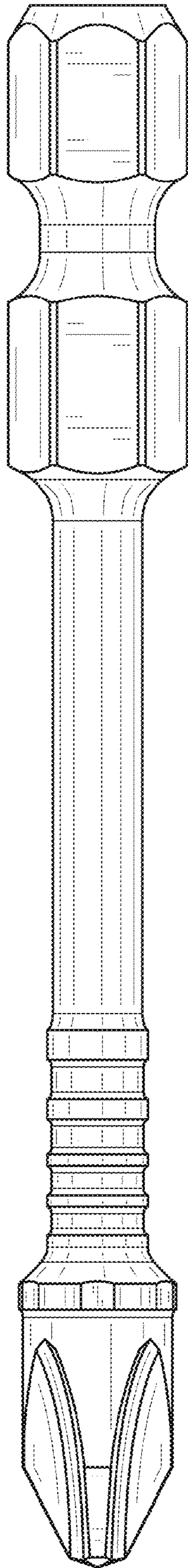


FIG. 3

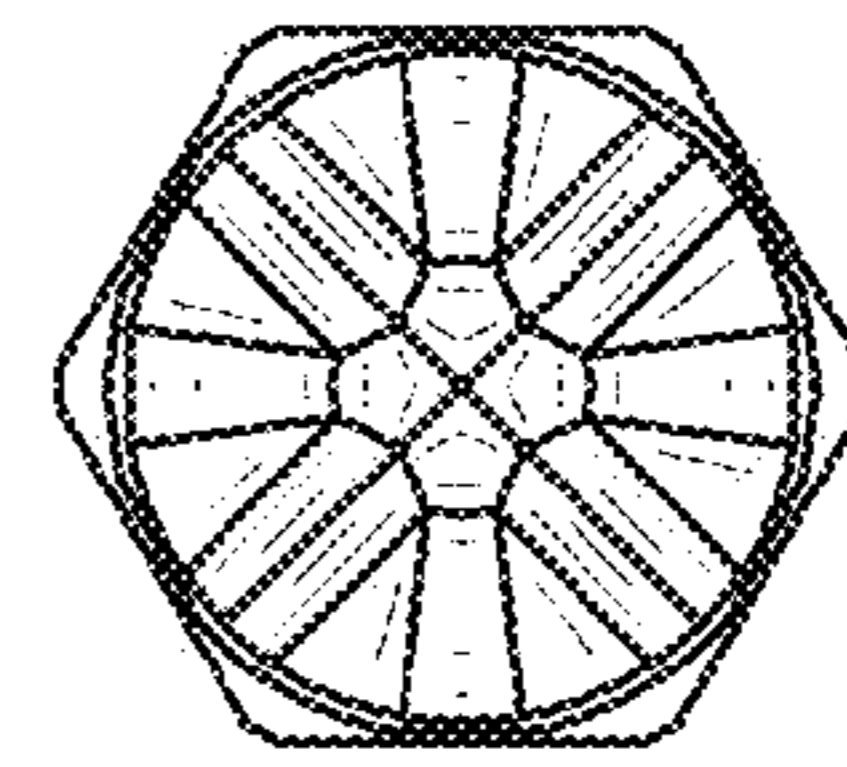


FIG. 5

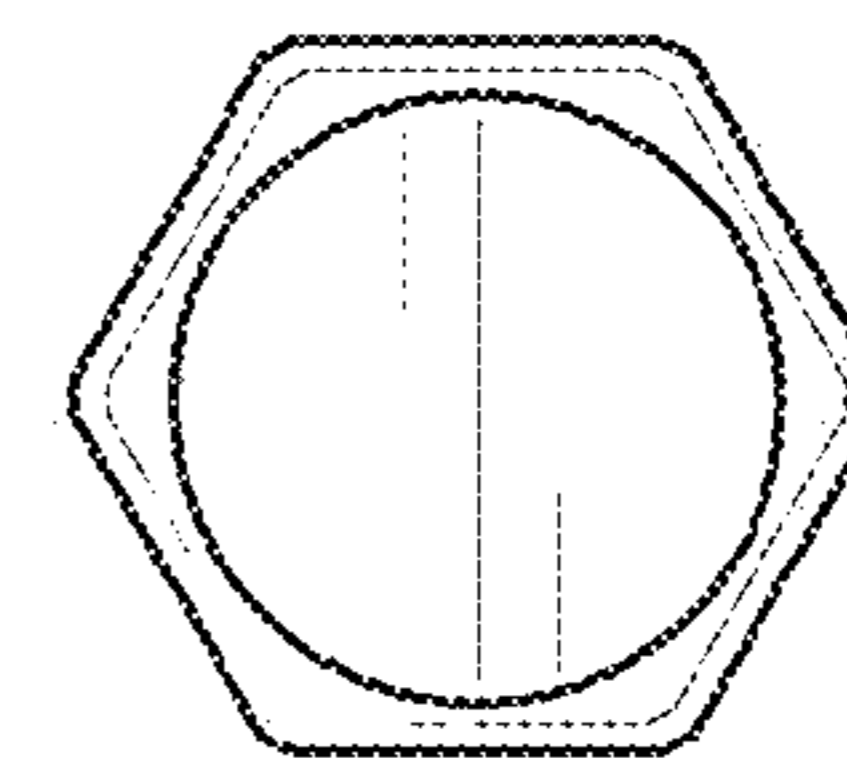


FIG. 4

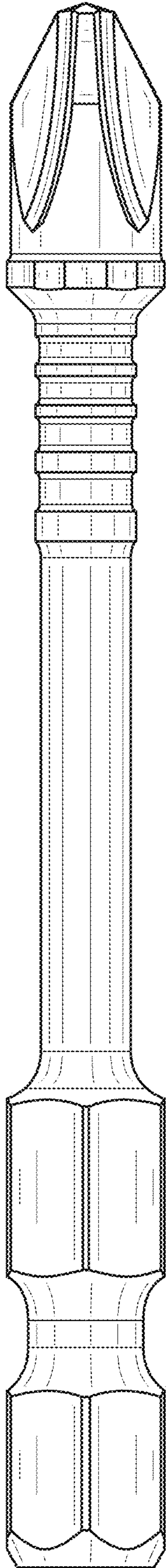


FIG. 6

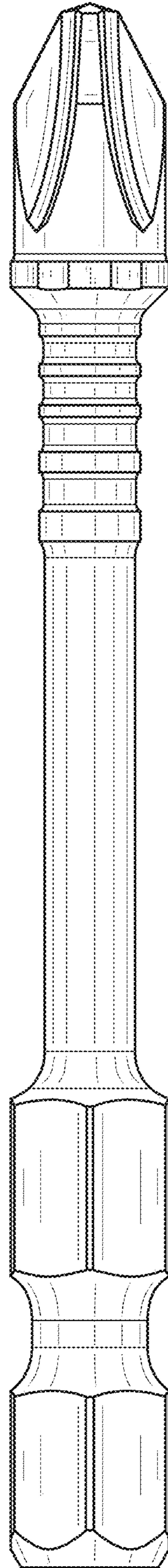


FIG. 7

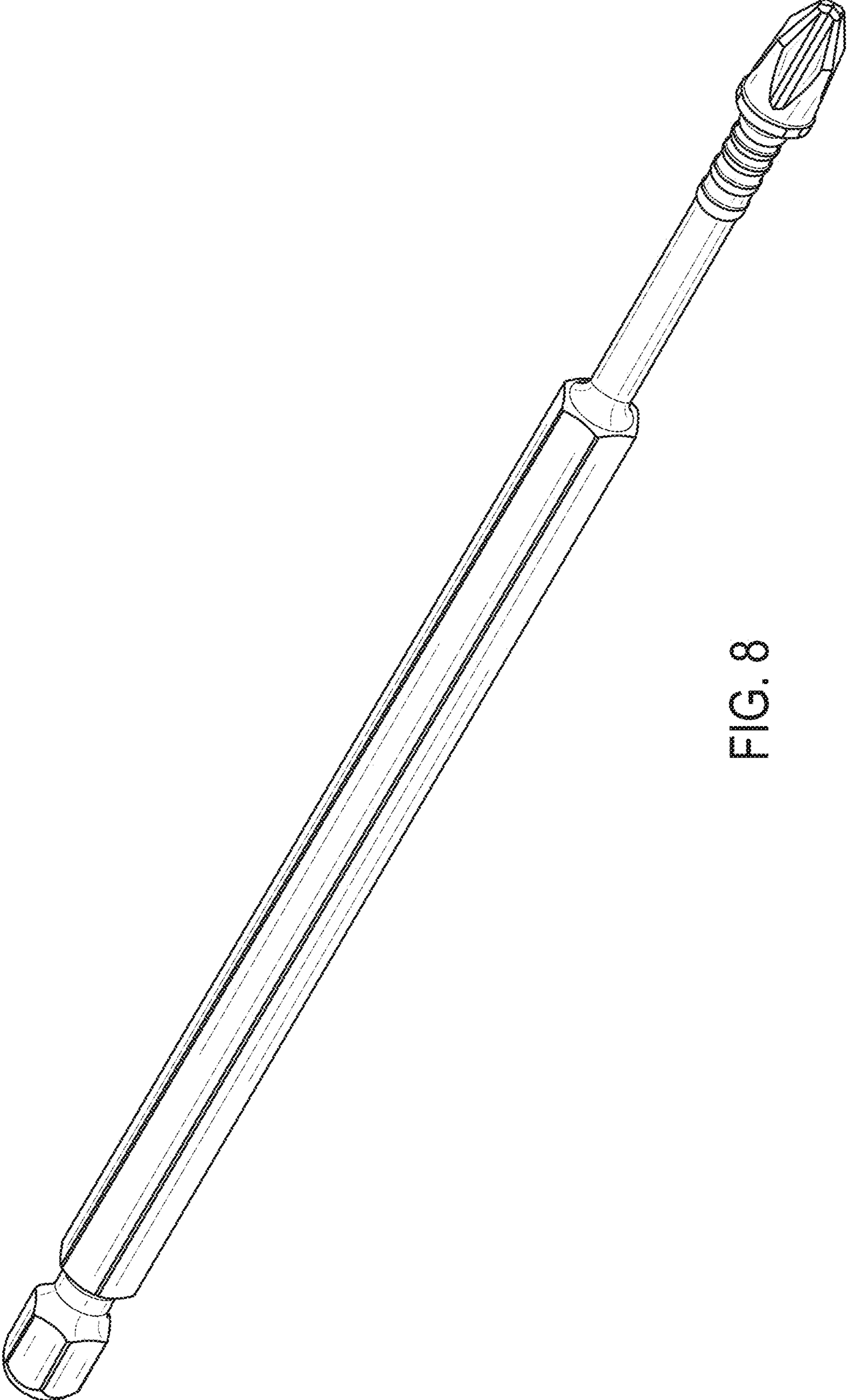


FIG. 8

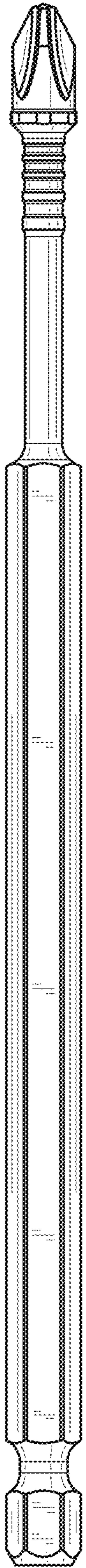


FIG. 9

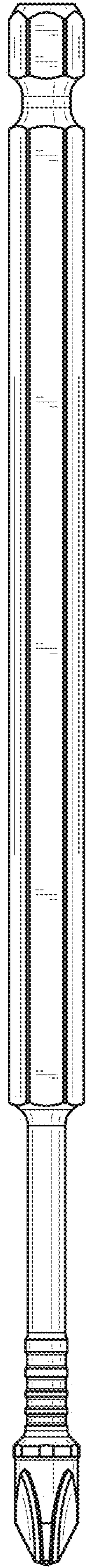


FIG. 10

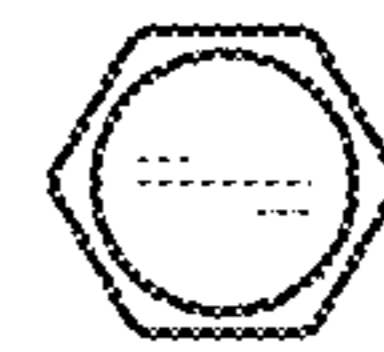


FIG. 11

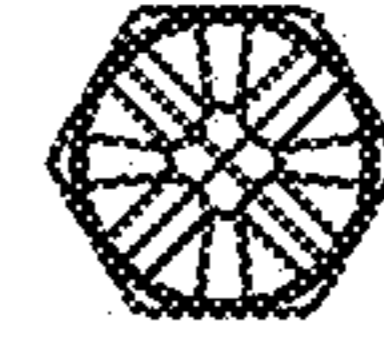


FIG. 12

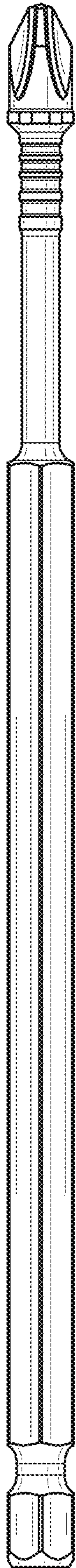


FIG. 13



FIG. 14



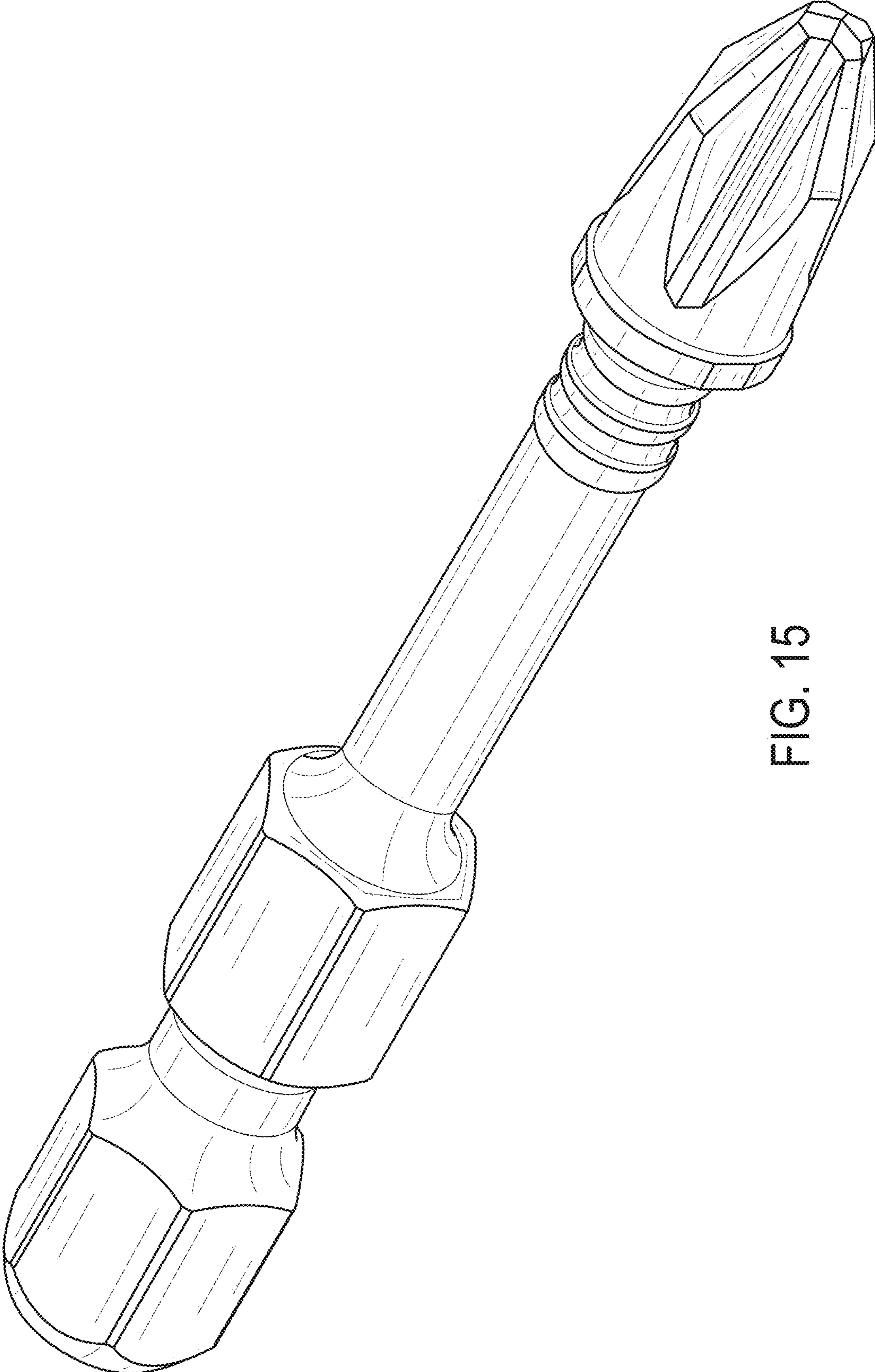


FIG. 15

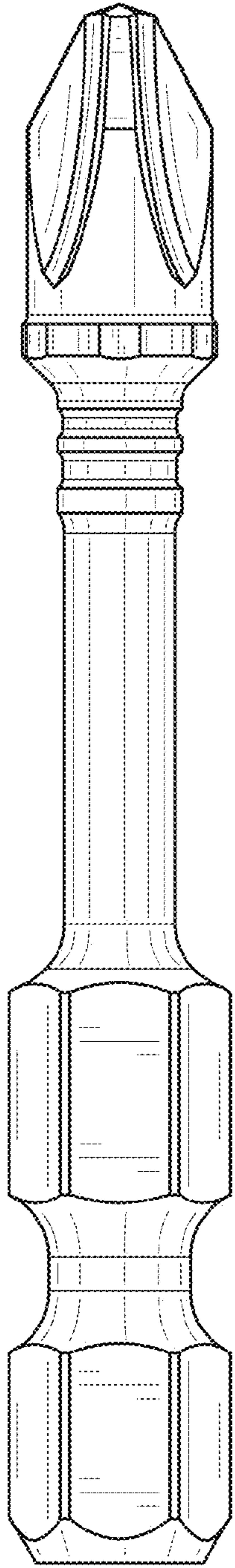


FIG. 16

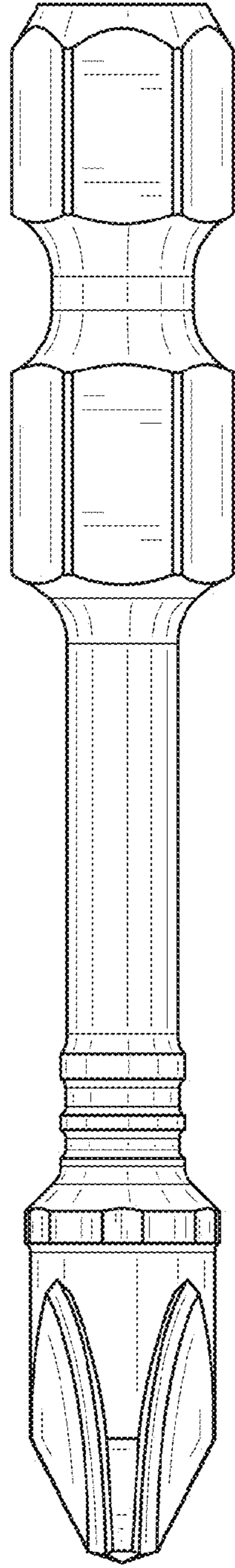


FIG. 17

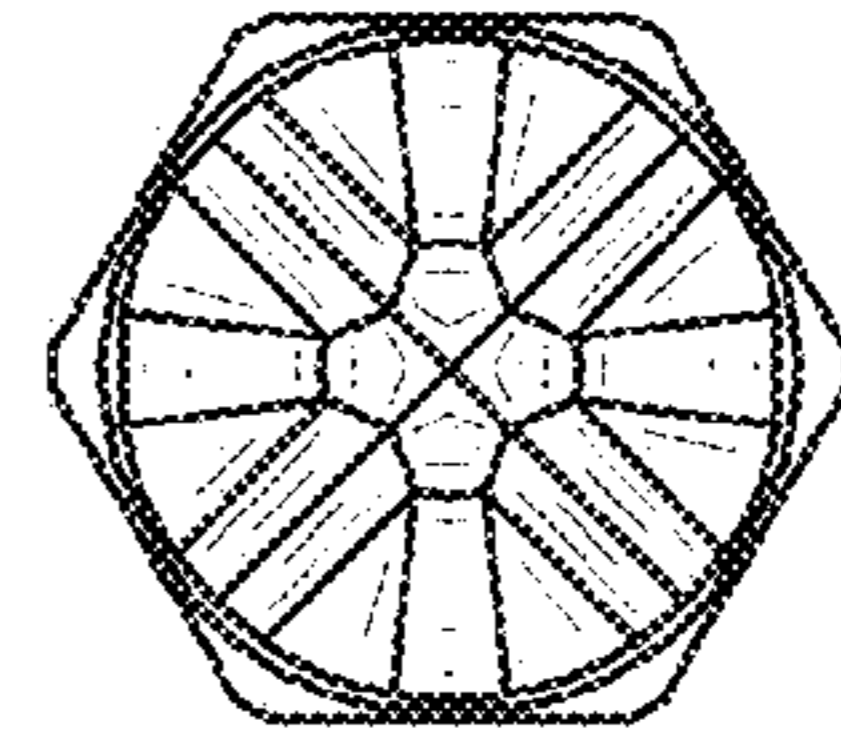


FIG. 18

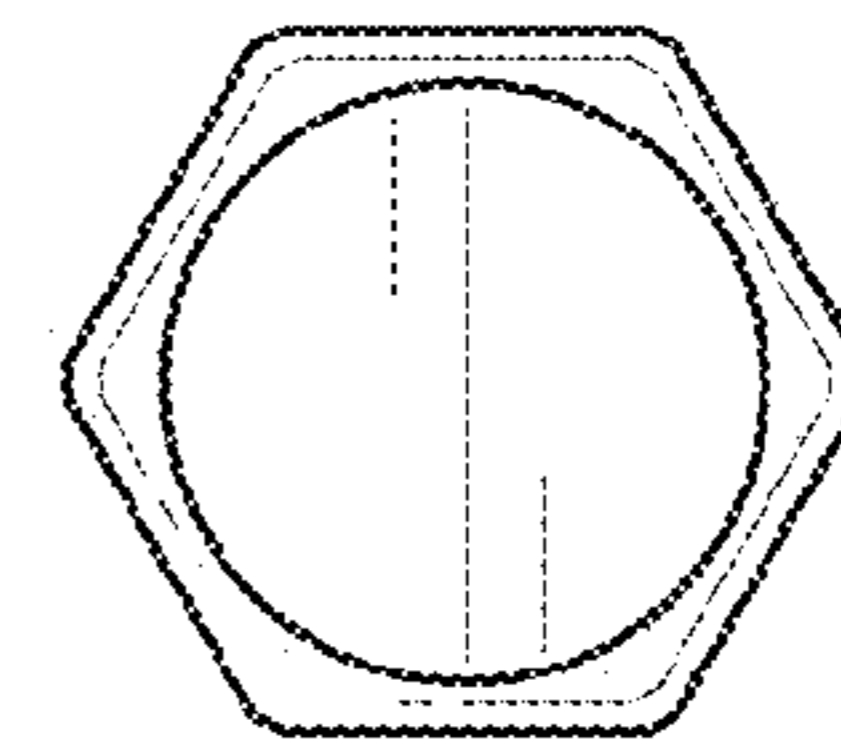


FIG. 19

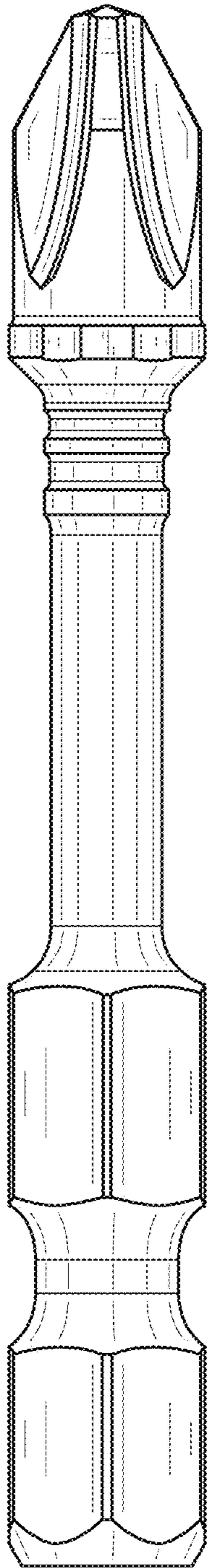


FIG. 20

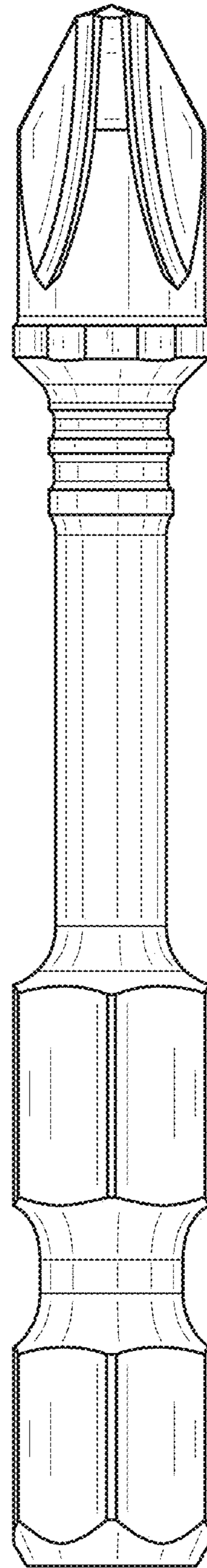


FIG. 21

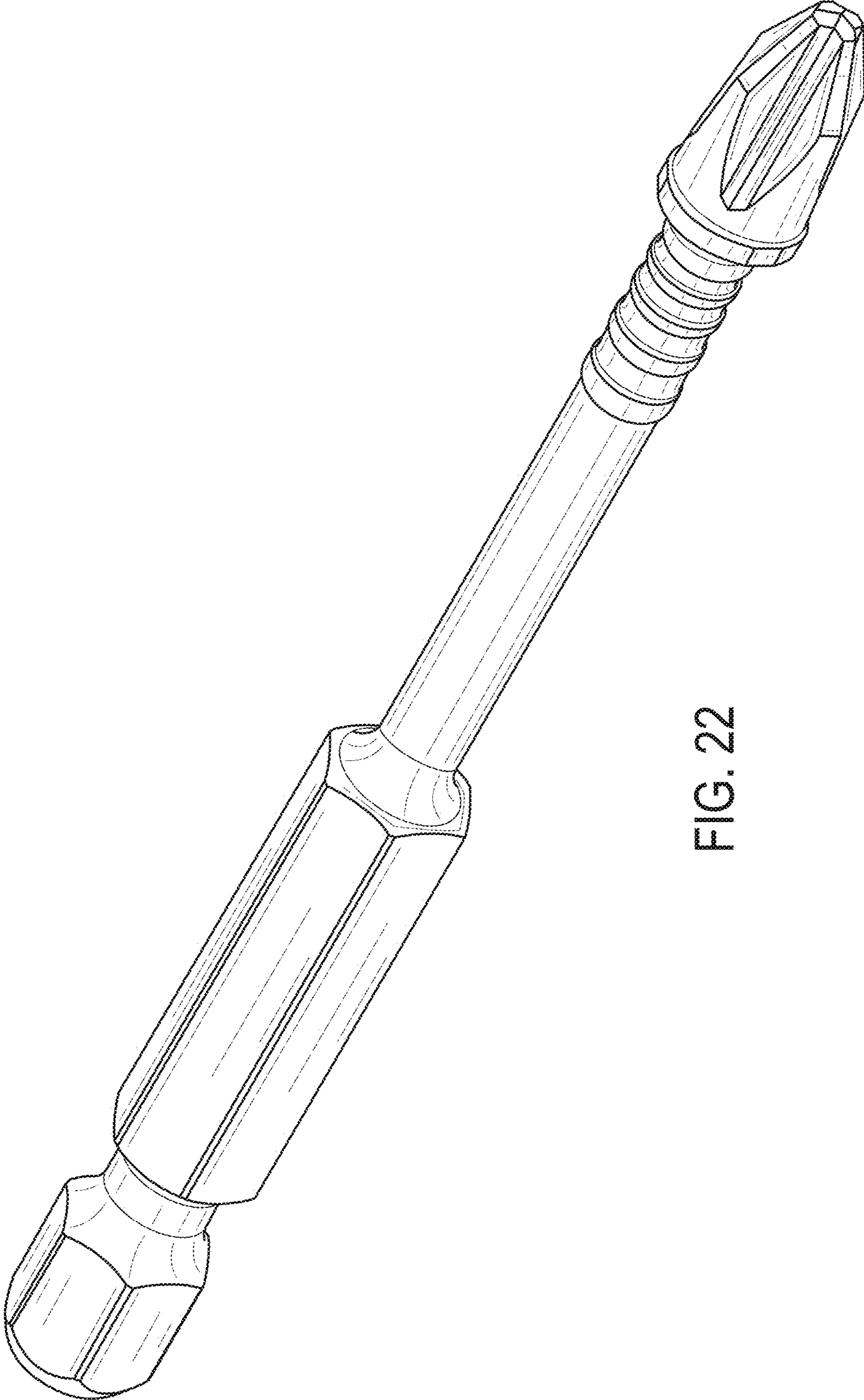


FIG. 22

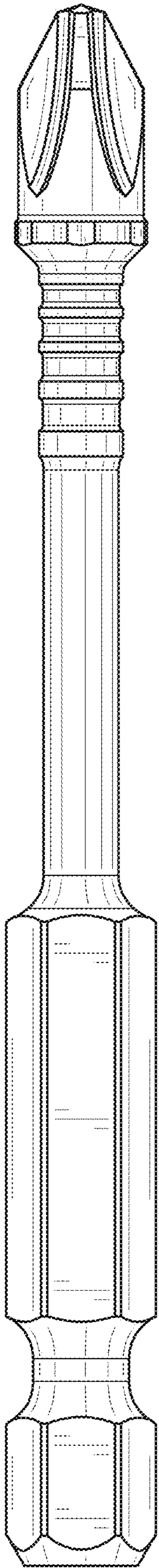


FIG. 23

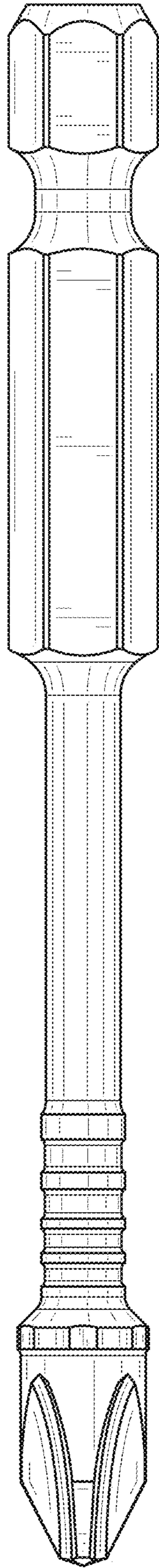


FIG. 24

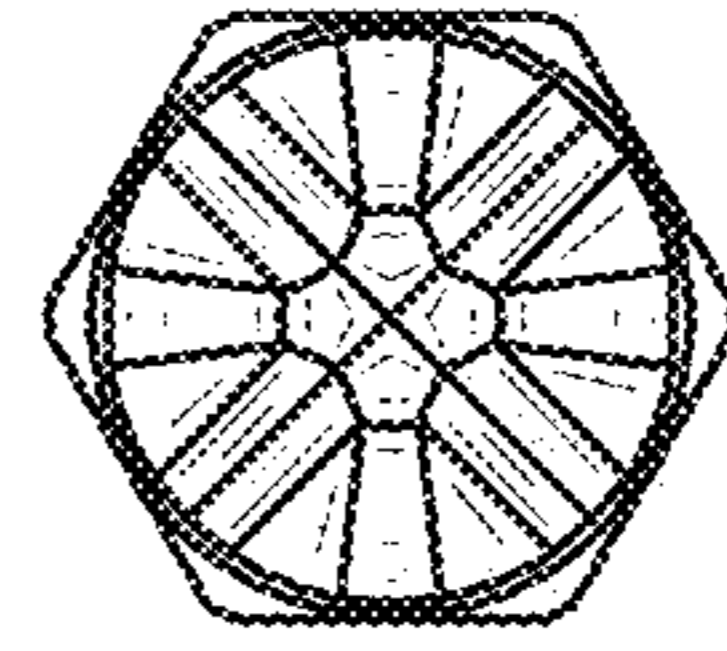


FIG. 26

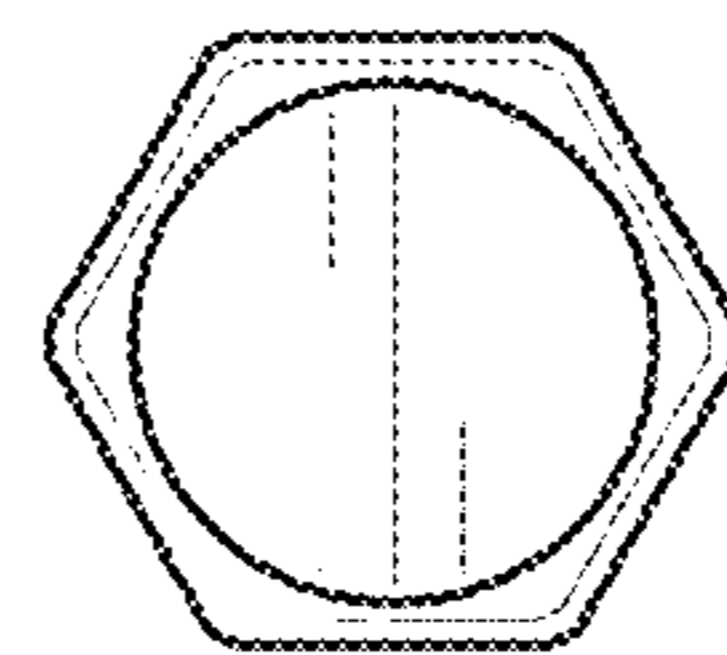


FIG. 25

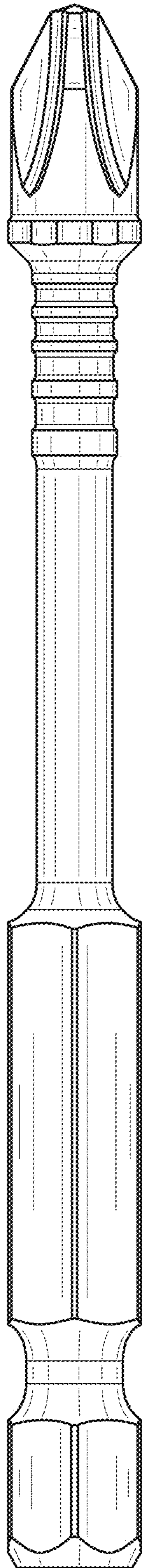


FIG. 27

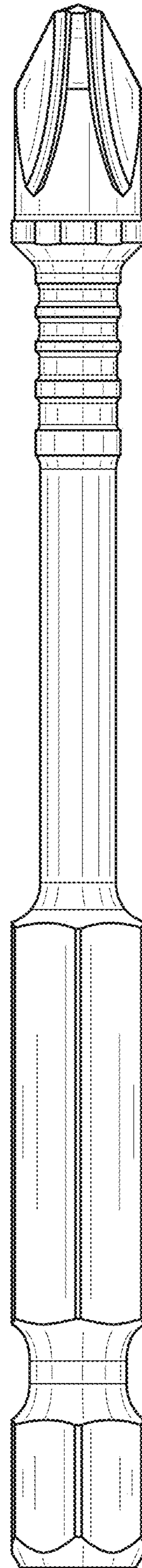


FIG. 28