



US00D883061S

(12) **United States Design Patent** (10) **Patent No.:** **US D883,061 S**  
**Petzl** (45) **Date of Patent:** **\*\* May 5, 2020**

- (54) **ICE AXE** D448,639 S \* 10/2001 Petzl ..... A63B 29/08 D8/76
- (71) Applicant: **ZEDEL**, Crolles (FR) D448,640 S \* 10/2001 Petzl ..... A63B 29/08 D8/76
- (72) Inventor: **Paul Petzl**, Barraux (FR) 6,944,955 B2 \* 9/2005 Skrivan ..... A63B 29/08 30/308.1
- (73) Assignee: **ZEDEL**, Crolles (FR) 7,225,544 B2 \* 6/2007 Petzl ..... A63B 29/08 30/308.2
- (\*\*) Term: **15 Years** D589,320 S \* 3/2009 Gobbi ..... D8/76
- (21) Appl. No.: **29/672,361** D744,802 S \* 12/2015 Petzl ..... D8/76
- (22) Filed: **Dec. 5, 2018** D759,455 S \* 6/2016 Petzl ..... D8/76
- (30) **Foreign Application Priority Data** 2005/0144731 A1 \* 7/2005 Petzl ..... A63B 29/08 7/145
- Jun. 6, 2018 (EM) ..... 005299765-0001 2007/0028462 A1 \* 2/2007 Skrivan ..... A63B 29/08 30/308.1
- (51) **LOC (12) Cl.** ..... **08-02** 2012/0167400 A1 \* 7/2012 Codega ..... A63B 29/08 30/308.1
- (52) **U.S. Cl.** ..... **D8/78**
- (58) **Field of Classification Search**

USPC ..... **D8/78**

CPC .. A45B 3/04; A45B 9/00; A63B 29/08; B26B 23/00; B25D 1/00; B25F 1/00; B25F 1/006; B25F 1/02; B25G 1/04; B25G 3/28

See application file for complete search history.

(56) **References Cited**

**U.S. PATENT DOCUMENTS**

- 4,308,628 A \* 1/1982 Kunberger ..... A63B 29/08 7/145
- 4,476,597 A \* 10/1984 Gobbi ..... B25D 7/00 7/159
- 5,226,718 A \* 7/1993 Lin ..... A45B 3/04 362/102

\* cited by examiner

*Primary Examiner* — Philip S Hyder  
(74) *Attorney, Agent, or Firm* — Oliff PLC

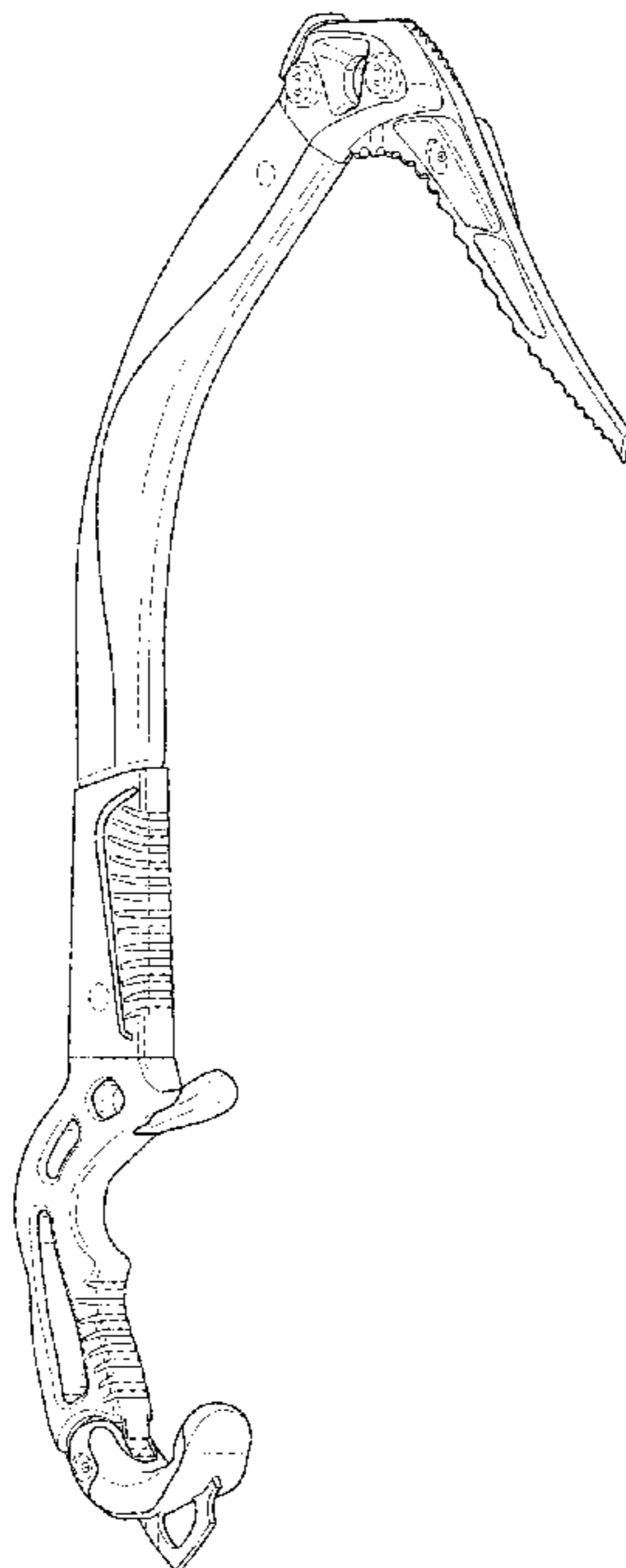
(57) **CLAIM**

The ornamental design for an ice axe, as shown and described.

**DESCRIPTION**

FIG. 1 is a front, left-side perspective view of the ice axe;  
 FIG. 2 is a left-side elevational view thereof;  
 FIG. 3 is a top plan view thereof;  
 FIG. 4 is a rear elevational view thereof;  
 FIG. 5 is a front elevational view thereof;  
 FIG. 6 is a right-side elevational view thereof;  
 FIG. 7 is a bottom plan view thereof; and,  
 FIG. 8 is a rear, right-side, top perspective view thereof.  
 The broken lines depict portions of the ice axe that form no part of the claimed design.

**1 Claim, 5 Drawing Sheets**



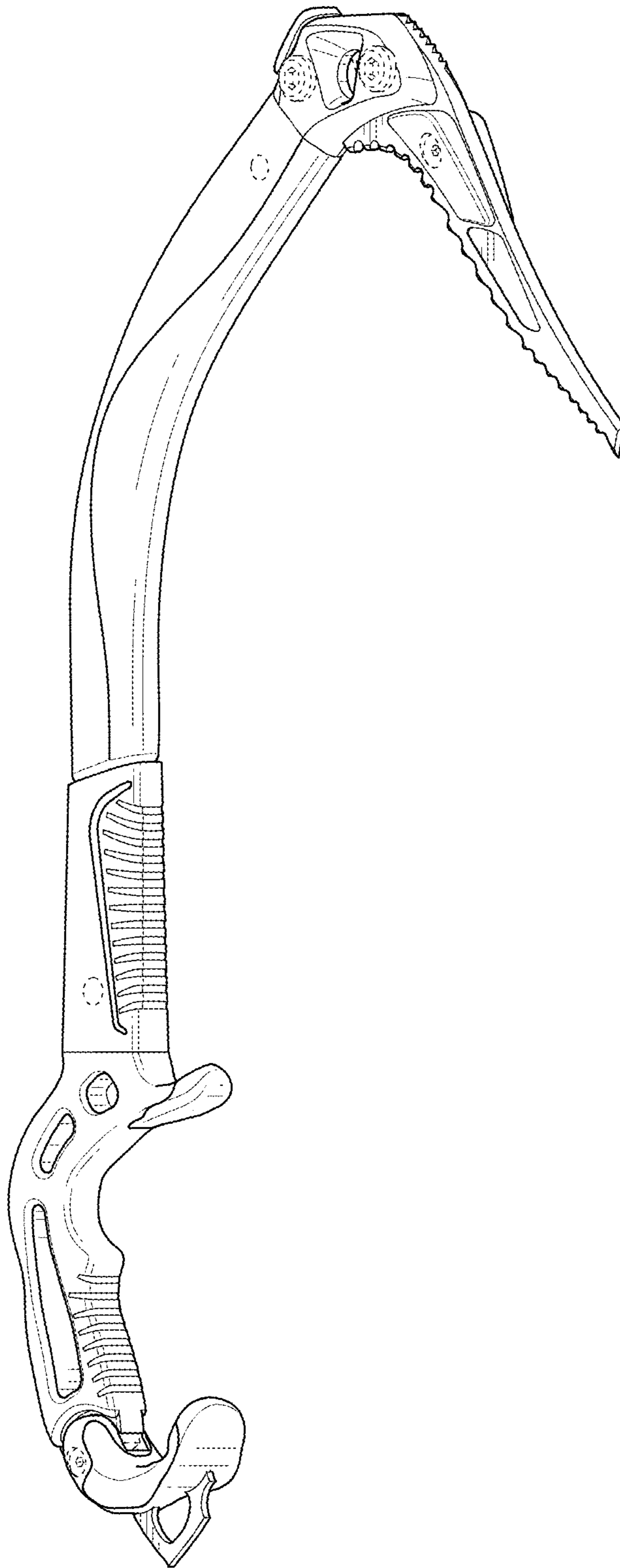


FIG. 1

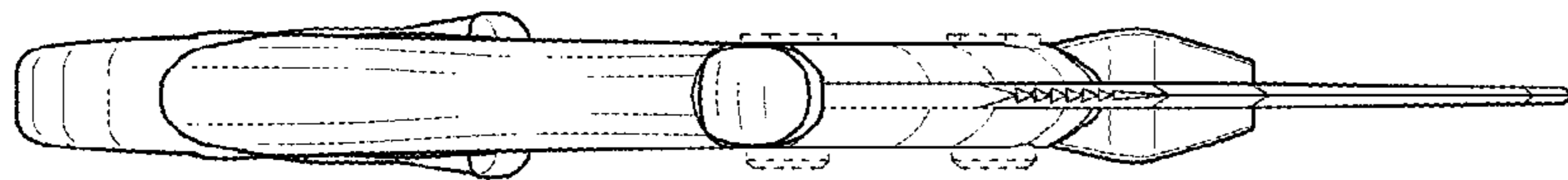


FIG. 3

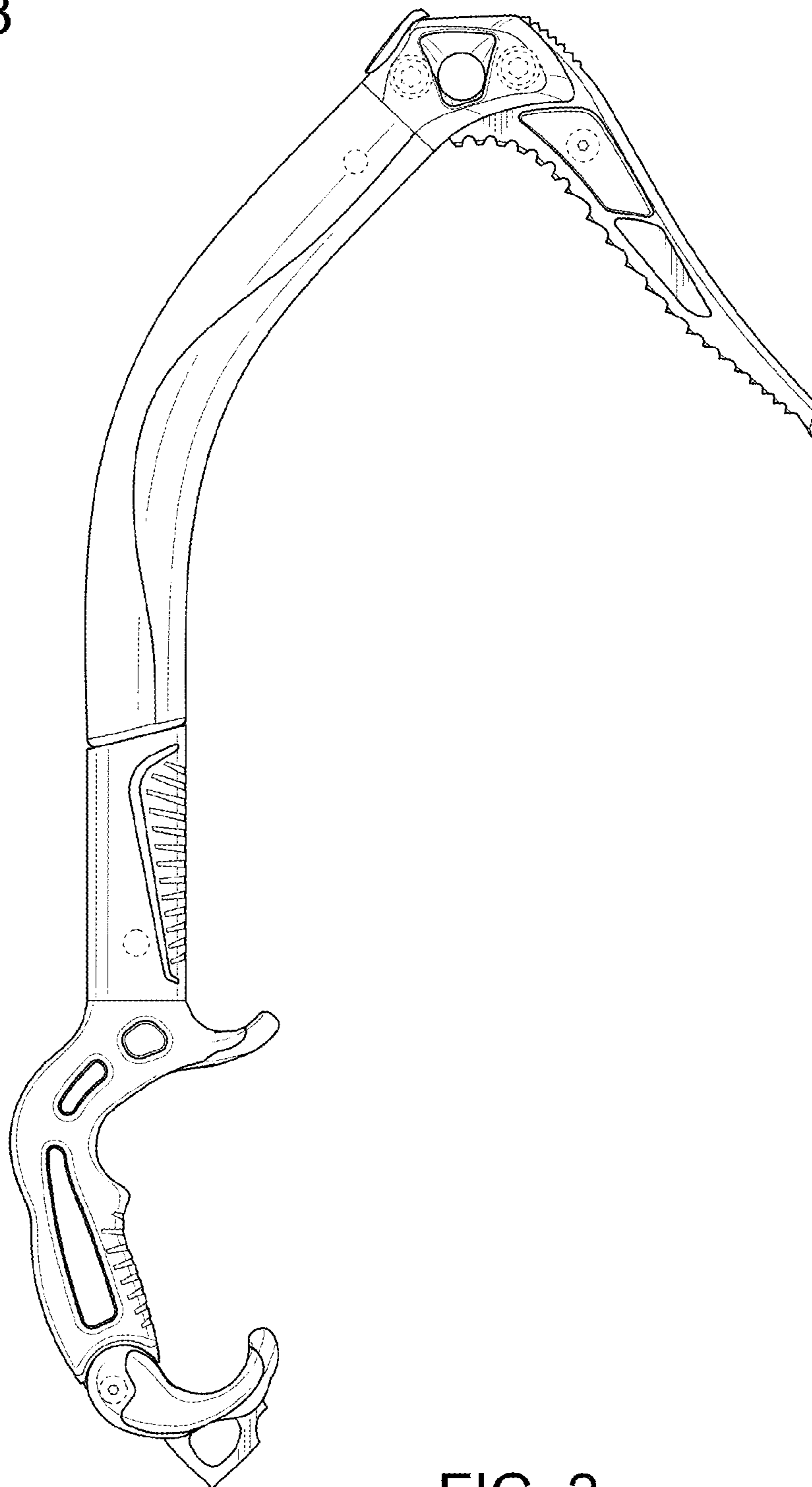


FIG. 2

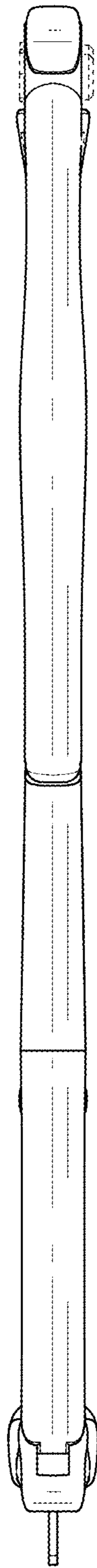


FIG. 4

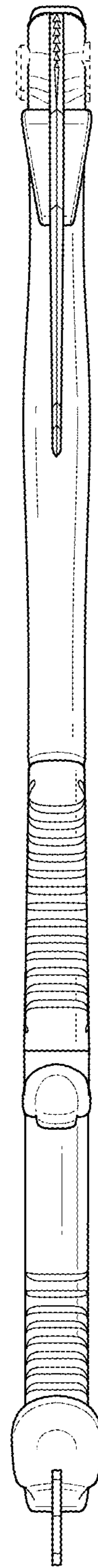


FIG. 5

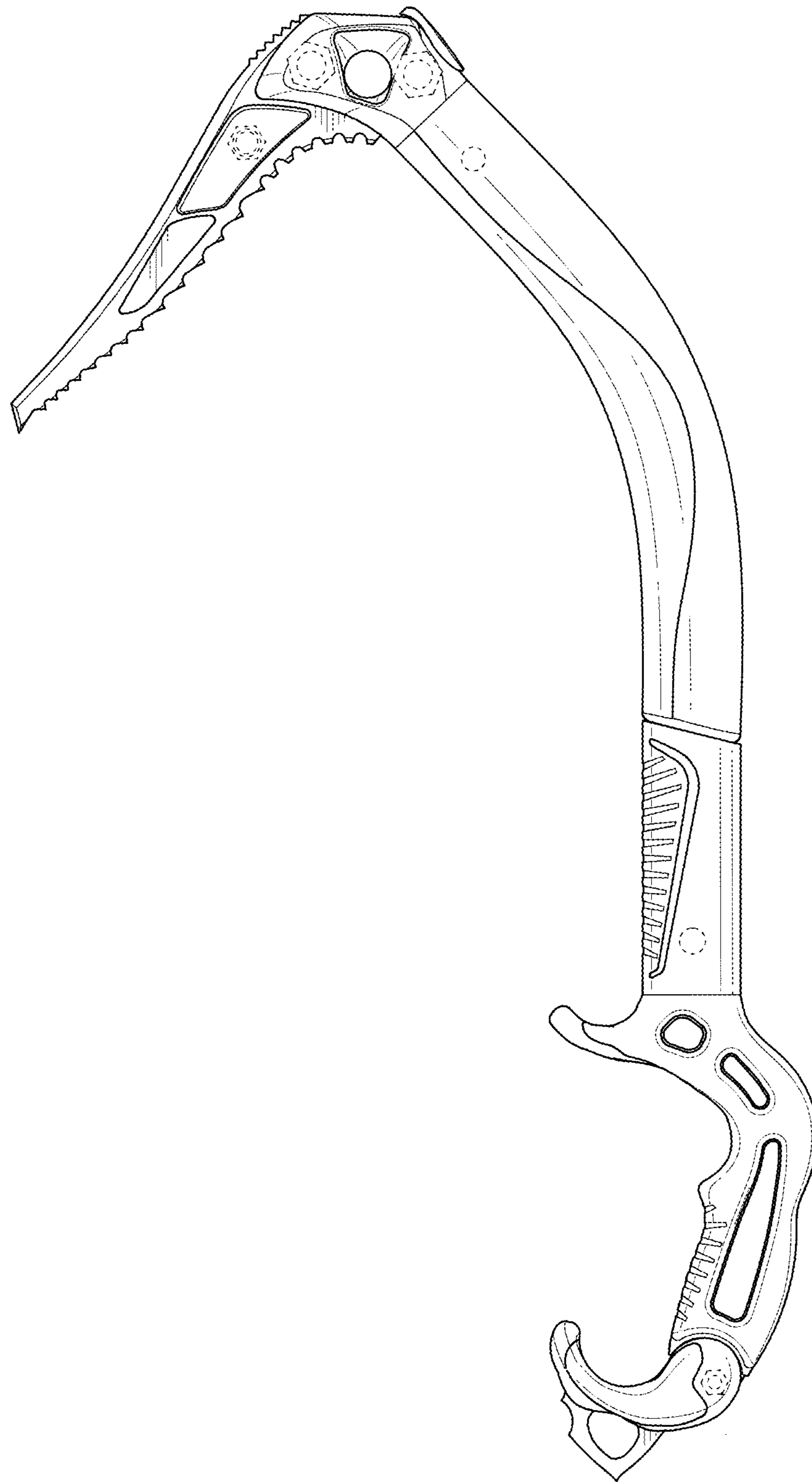


FIG. 6

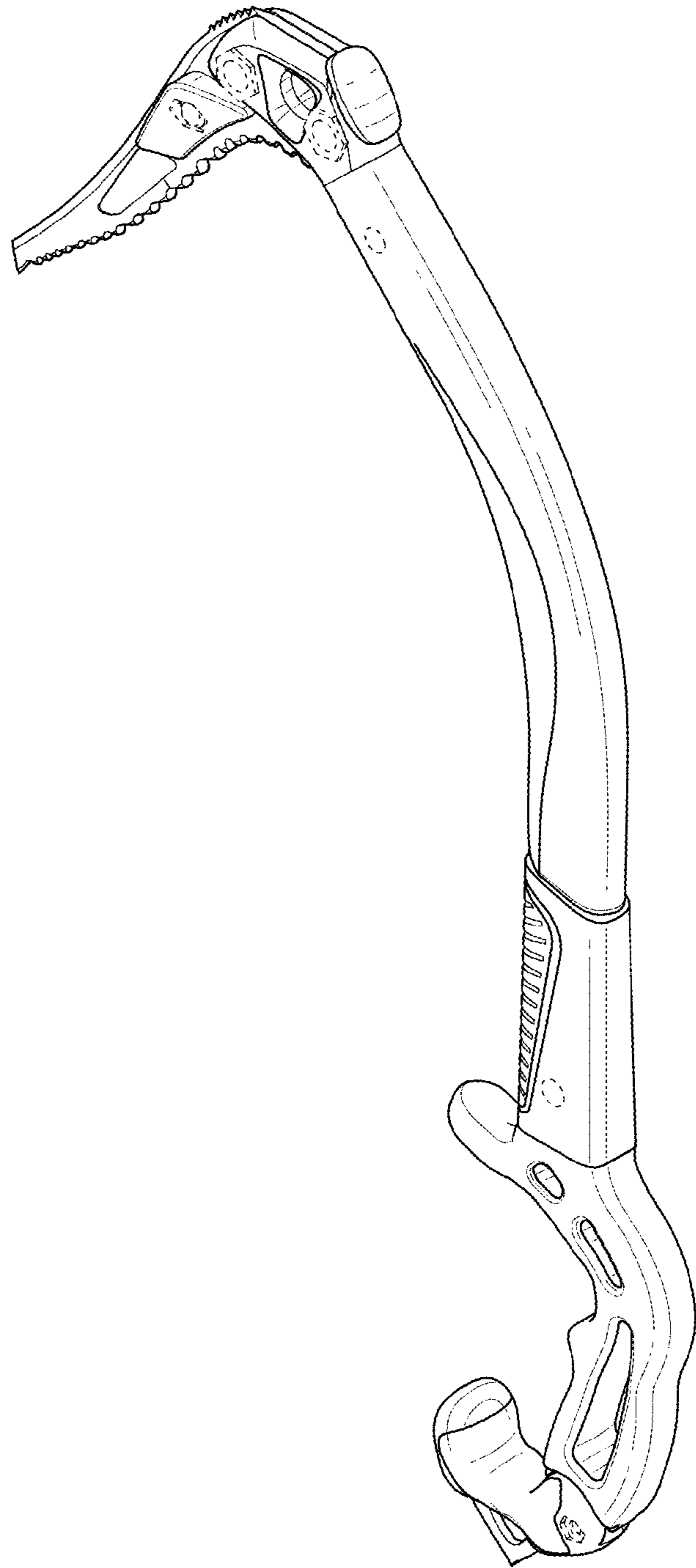


FIG. 8

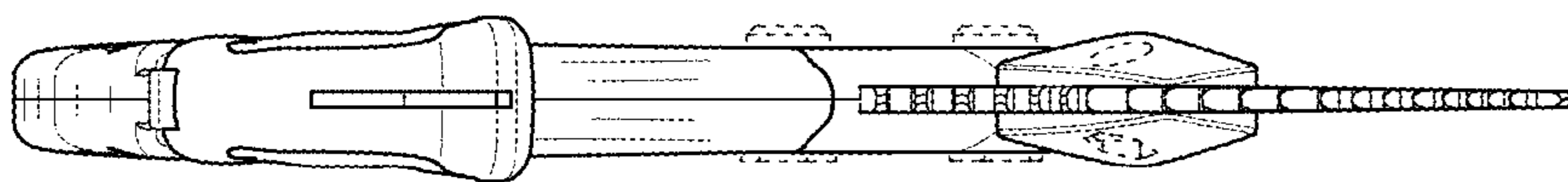


FIG. 7