



US00D883060S

(12) **United States Design Patent** (10) **Patent No.:** **US D883,060 S**
Hyma et al. (45) **Date of Patent:** **** May 5, 2020**

(54) **WRENCH SET HOLDER AND DISPLAY**

FOREIGN PATENT DOCUMENTS

(71) Applicant: **MILWAUKEE ELECTRIC TOOL CORPORATION**, Brookfield, WI (US)

CN 2292003 Y 9/1998
CN 2334552 Y 8/1999

(Continued)

(72) Inventors: **Steven W. Hyma**, Milwaukee, WI (US); **Scott M. Hangartner**, Hartland, WI (US); **Joseph M. DeBaker**, Greenfield, WI (US)

OTHER PUBLICATIONS

Taiwan Patent Office Action for Application No. 103305336 dated Feb. 23, 2018 (4 pages including Statement of Relevance).

(Continued)

(73) Assignee: **Milwaukee Electric Tool Corporation**, Brookfield, WI (US)

(**) Term: **15 Years**

Primary Examiner — Keli L Hill

Assistant Examiner — Harold E Blackwell, II

(21) Appl. No.: **29/677,663**

(74) *Attorney, Agent, or Firm* — Reinhart Boerner Van Deuren s.c.

(22) Filed: **Jan. 23, 2019**

(57) **CLAIM**

We claim the ornamental design for a wrench set holder and display, as shown and described.

Related U.S. Application Data

DESCRIPTION

(63) Continuation of application No. 29/597,077, filed on Mar. 14, 2017, now abandoned.

(51) **LOC (12) Cl.** **08-71**

(52) **U.S. Cl.**
USPC **D8/71**

(58) **Field of Classification Search**
USPC D8/71; 206/349, 372, 373, 376, 378, 206/565; D3/315, 905, 276, 228
CPC B25H 3/04; B25H 1/10; A47F 1/00
See application file for complete search history.

FIG. 1 is a perspective view of a wrench set holder and display according to the invention.

FIG. 2 is a front side view of the wrench set holder and display shown in FIG. 1.

FIG. 3 is a back side view of the wrench set holder and display shown in FIG. 1.

FIG. 4 is a right side view of the wrench set holder and display shown in FIG. 1.

FIG. 5 is a left side view of the wrench set holder and display shown in FIG. 1.

FIG. 6 is a top side view of the wrench set holder and display shown in FIG. 1; and,

FIG. 7 is a bottom side view of the wrench set holder and display shown in FIG. 1.

The elements shown in broken lines are included for the purpose of illustrating environment and form no part of the claimed design. Any broken lines having unequal line segments illustrate the boundary of the claimed design.

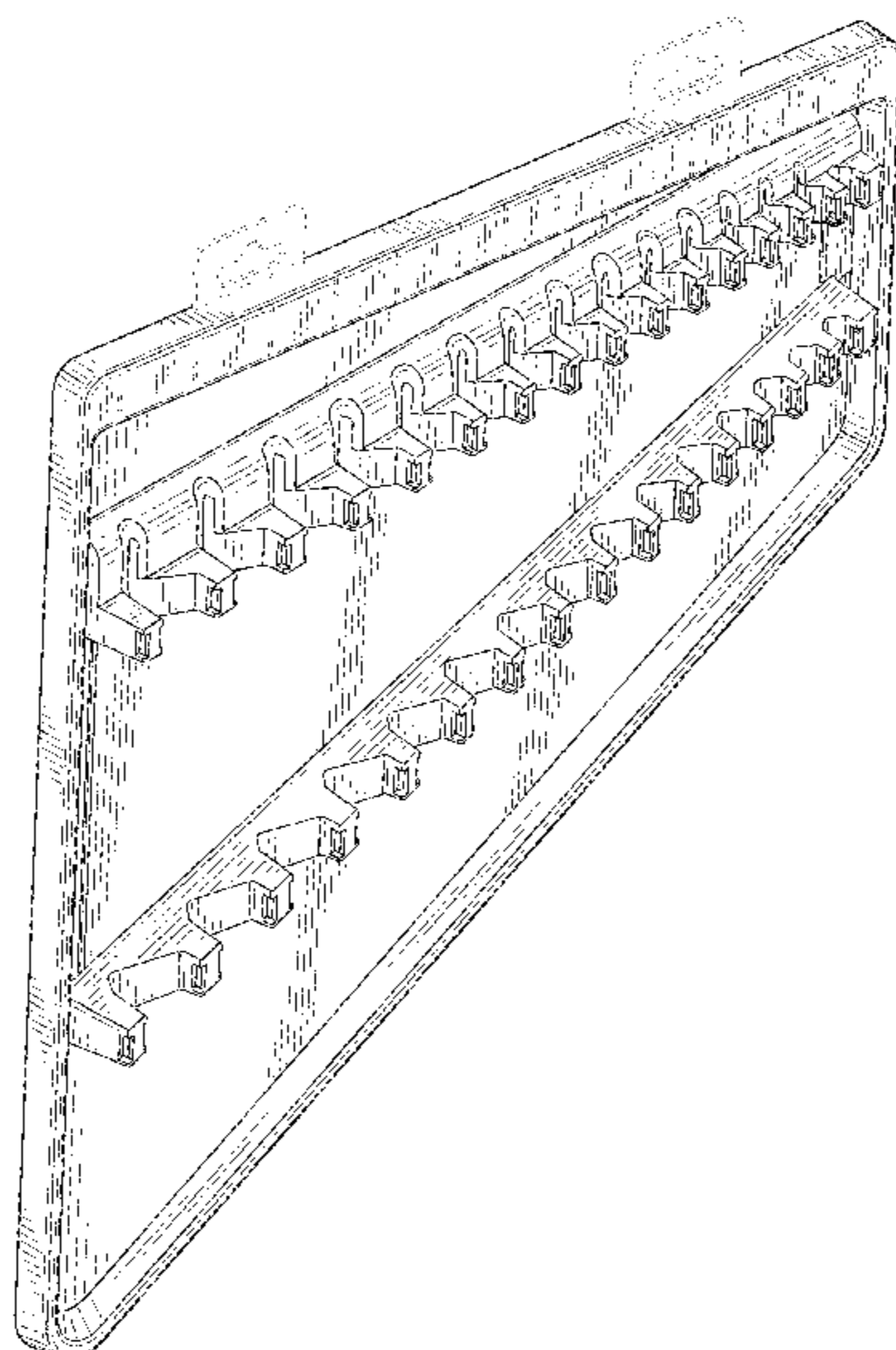
(56) **References Cited**

U.S. PATENT DOCUMENTS

4,911,297 A * 3/1990 Suburu B25B 13/56
206/372
5,598,924 A 2/1997 McCann
5,638,964 A 6/1997 Ernst
D412,617 S * 8/1999 Kopala, Jr. D3/315
5,931,299 A 8/1999 Hsieh

(Continued)

1 Claim, 5 Drawing Sheets



(56)

References Cited

U.S. PATENT DOCUMENTS

D433,613 S * 11/2000 Jialin D8/71
 6,315,121 B1 * 11/2001 Hansen B25H 3/04
 206/376
 6,857,527 B2 * 2/2005 Hu A47F 7/0028
 206/478
 7,080,733 B2 * 7/2006 Kao B25H 3/04
 206/372
 D541,612 S * 5/2007 Lin D3/905
 7,537,124 B2 * 5/2009 Chen B25H 3/04
 211/70.6
 7,584,845 B2 9/2009 Cheng
 7,987,975 B1 * 8/2011 Lee B25H 3/04
 206/376
 7,987,981 B1 8/2011 Lee
 8,038,020 B2 * 10/2011 Vecchio B25H 3/04
 206/376
 D652,280 S * 1/2012 Huang D8/71
 8,261,911 B2 * 9/2012 Lee B25H 3/04
 206/372
 8,403,155 B1 * 3/2013 Kao B25H 3/04
 206/376
 8,408,388 B1 * 4/2013 Chen B65D 25/103
 206/376
 D710,668 S * 8/2014 Wu D8/71
 D734,612 S * 7/2015 Liu D3/315
 2002/0070185 A1 * 6/2002 Chen A47F 7/0028
 211/70.6
 2005/0051446 A1 * 3/2005 Chen B25H 3/04
 206/376

2005/0082323 A1 4/2005 O'Hair
 2006/0118500 A1 6/2006 Chen
 2010/0163502 A1 * 7/2010 Chang B25H 3/04
 211/70.6
 2012/0138497 A1 * 6/2012 Lee B25H 3/04
 206/376
 2016/0121478 A1 5/2016 Schein et al.

FOREIGN PATENT DOCUMENTS

CN 205614630 U 10/2016
 DE 202010008854 U1 3/2011
 DE 202010013102 U1 3/2011
 DE 202011000052 U1 4/2011
 DE 102011056947 B4 11/2014
 FR 2996159 B1 2/2015
 TW 376010 U 12/1991
 TW 284657 8/1996
 TW 293746 12/1996
 TW 446514 7/2001
 TW 200918261 A 5/2009
 TW I374076 B 10/2012
 TW I374077 B 10/2012
 TW I374078 B 10/2012

OTHER PUBLICATIONS

Taiwan Patent Office Action for Application No. 103305337 dated Feb. 23, 2018 (4 pages including Statement of Relevance).

* cited by examiner

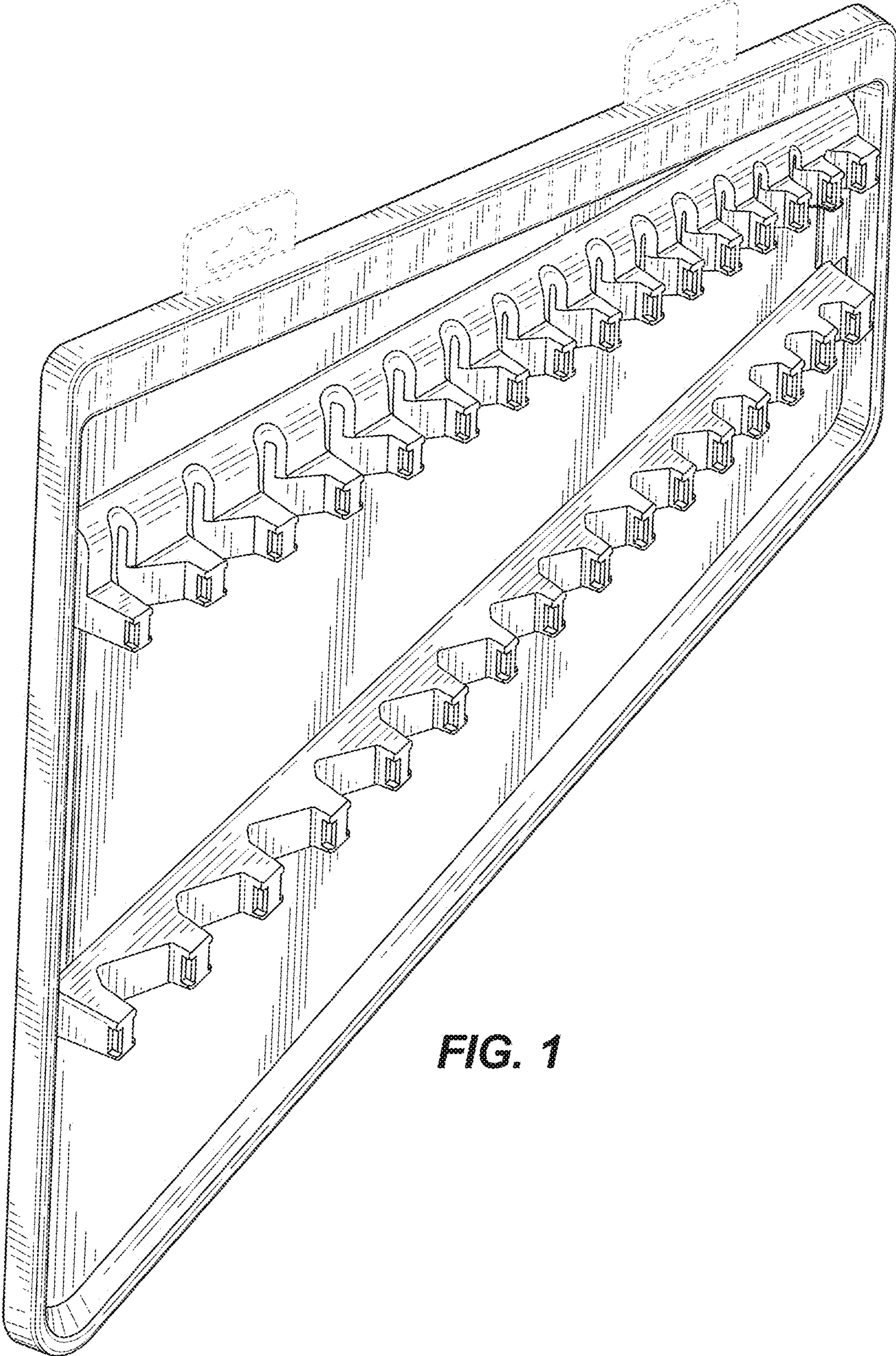


FIG. 1

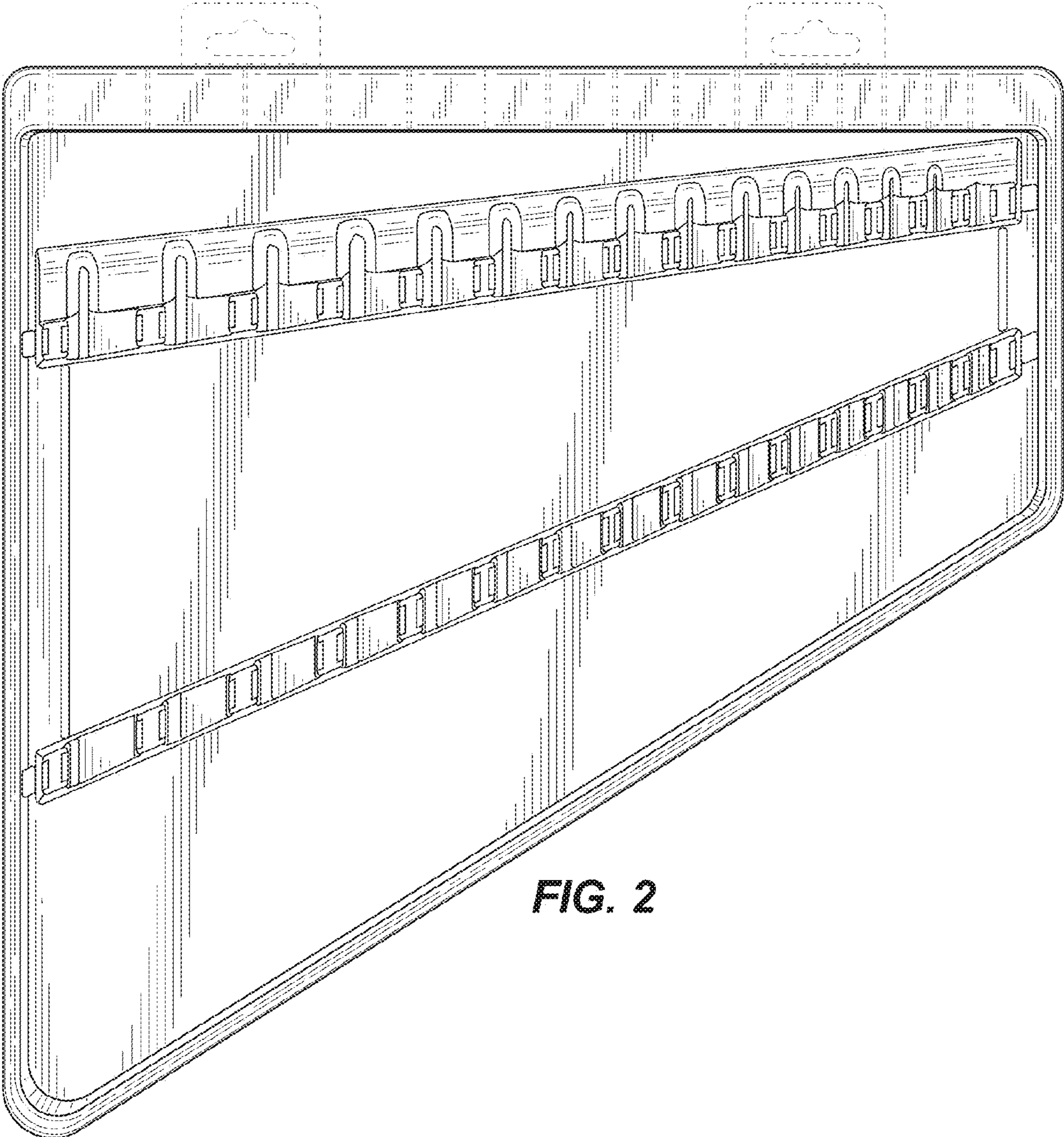


FIG. 2

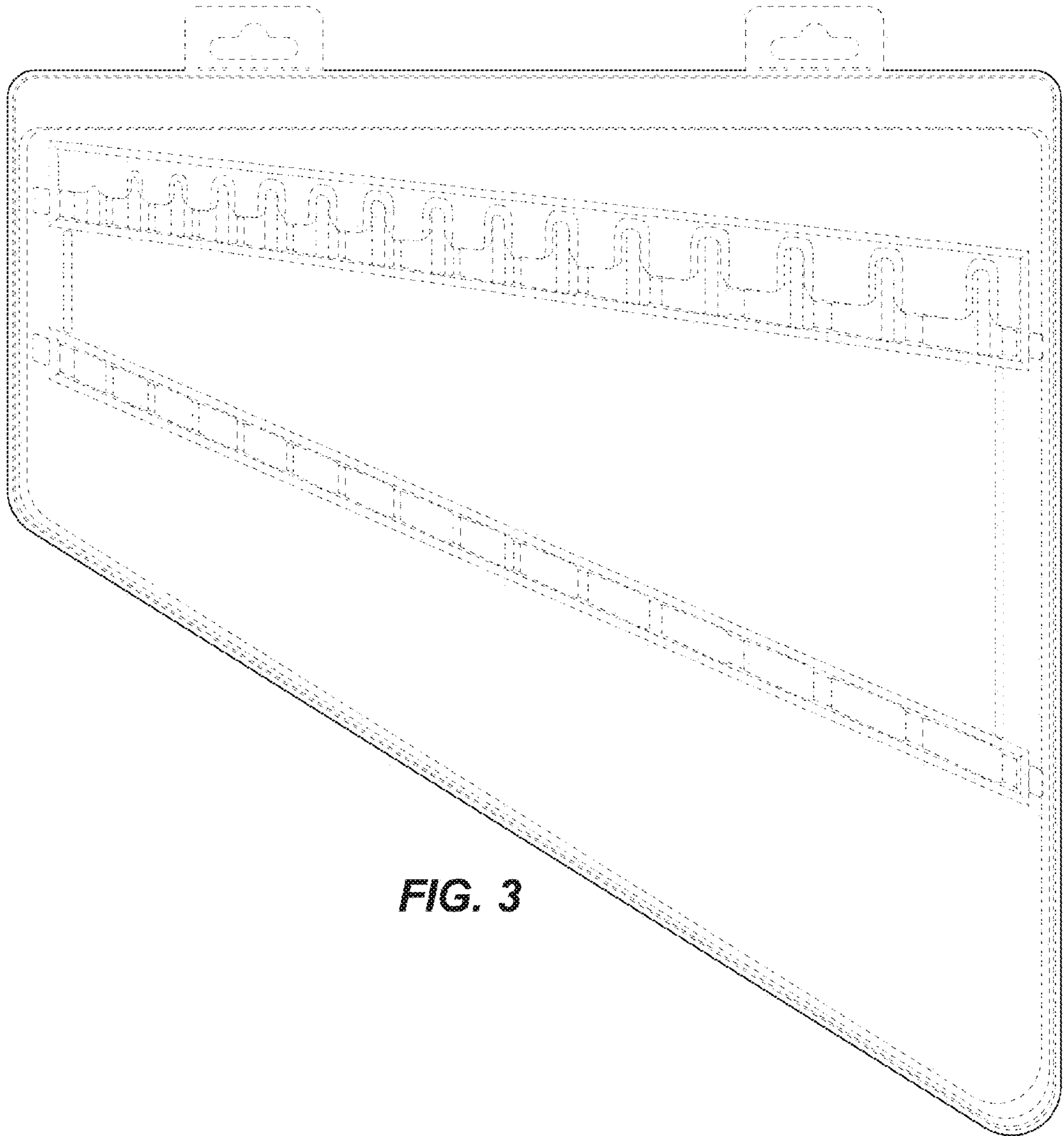


FIG. 3

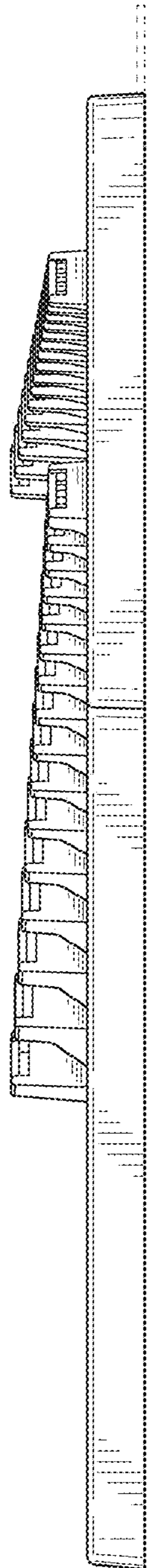


FIG. 4

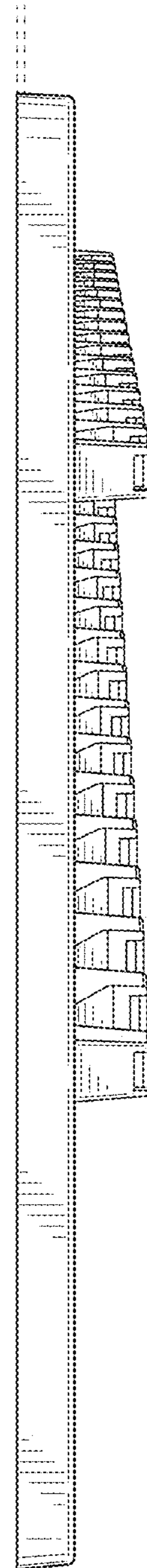


FIG. 5

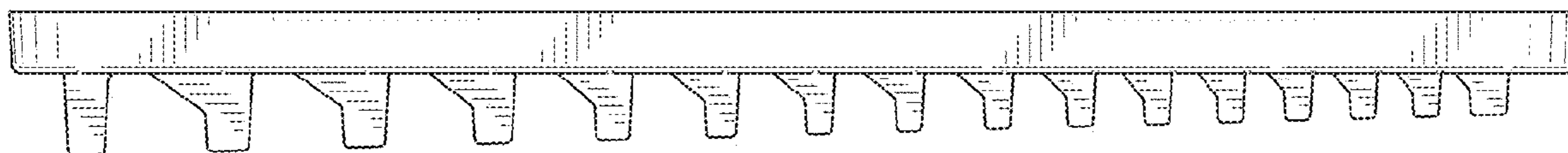


FIG. 6

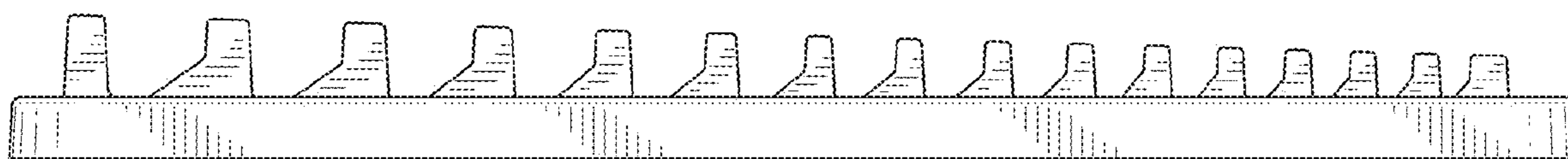


FIG. 7