



US00D883055S

(12) **United States Design Patent** (10) **Patent No.:** **US D883,055 S**
Vazquez et al. (45) **Date of Patent:** **** May 5, 2020**

- (54) **WELDING TORCH**
- (71) Applicant: **LINCOLN GLOBAL, INC.**, Santa Fe Springs, CA (US)
- (72) Inventors: **Daniel Herrera Vazquez**, Durango (MX); **Joseph Brusky**, Willowick, OH (US); **Nicole V. Corbin**, Cleveland, OH (US); **Jeffrey L. Kachline**, Highland Heights, OH (US)
- (73) Assignee: **LINCOLN GLOBAL, INC.**, Santa Fe Springs, CA (US)
- (**) Term: **15 Years**
- (21) Appl. No.: **29/668,560**
- (22) Filed: **Oct. 31, 2018**
- (51) **LOC (12) Cl.** **08-05**
- (52) **U.S. Cl.**
USPC **D8/30; D15/144**
- (58) **Field of Classification Search**
USPC **D8/30, 107; D15/144, 144.1, 144.2**
CPC **B23K 9/00; B23K 9/1087; B23K 9/0953; B23K 9/124; B23K 9/325; B23K 9/287; B23K 9/32; B23K 9/295**
See application file for complete search history.

(56) **References Cited**

U.S. PATENT DOCUMENTS

- D343,629 S * 1/1994 Bode D15/144
- 6,025,574 A * 2/2000 Colangelo, Jr. B23K 9/295
200/43.17
- 6,225,599 B1 * 5/2001 Altekruise B23K 9/124
219/137.31
- 6,979,799 B2 * 12/2005 Centner B23K 9/10
200/321
- D532,432 S * 11/2006 Owens D15/144
- D537,166 S * 2/2007 Huang D24/211

- D555,446 S * 11/2007 Picaza Ibarondo D15/144
- D638,270 S * 5/2011 Flattinger D8/107
- D735,002 S * 7/2015 Bondy D8/30
- D771,727 S * 11/2016 Imi D15/144
- D813,627 S * 3/2018 Tsai D8/30
- 2007/0164006 A1 * 7/2007 Burgstaller B23K 9/0953
219/130.01
- 2009/0152254 A1 * 6/2009 Giese B23K 9/10
219/137.31
- 2011/0062131 A1 * 3/2011 Binzel B23K 9/1087
219/136
- 2018/0178307 A1 * 6/2018 Whipple B23K 9/291

* cited by examiner

Primary Examiner — Philip S Hyder

(74) *Attorney, Agent, or Firm* — Tucker Ellis LLP

(57) **CLAIM**

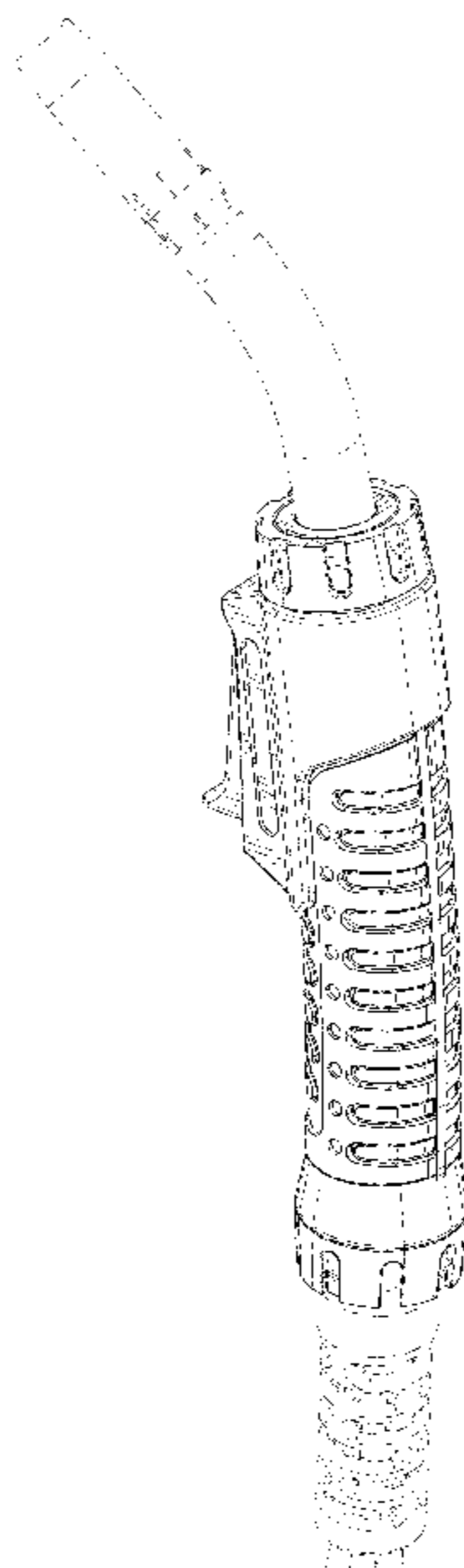
The ornamental design for a welding torch, as shown and described.

DESCRIPTION

FIG. 1 is a perspective view of an embodiment of a welding torch showing our new design;
 FIG. 2 is a left view of the welding torch illustrated in FIG. 1;
 FIG. 3 is a front view of the welding torch illustrated in FIG. 1;
 FIG. 4 is a right side view of the welding torch illustrated in FIG. 1;
 FIG. 5 is a rear view of the welding torch illustrated in FIG. 1;
 FIG. 6 is a top view of the welding torch illustrated in FIG. 1; and,
 FIG. 7 is a bottom view of the welding torch illustrated in FIG. 1.

The broken lines show portions of the design that form no part of the claimed design.

1 Claim, 4 Drawing Sheets



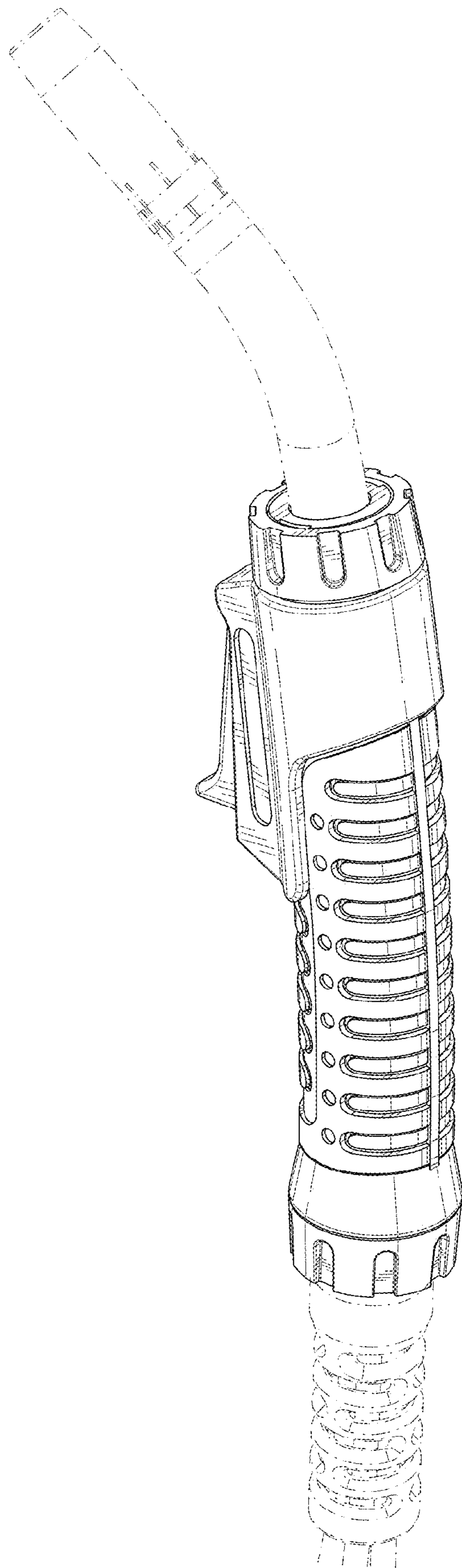


FIG. 1

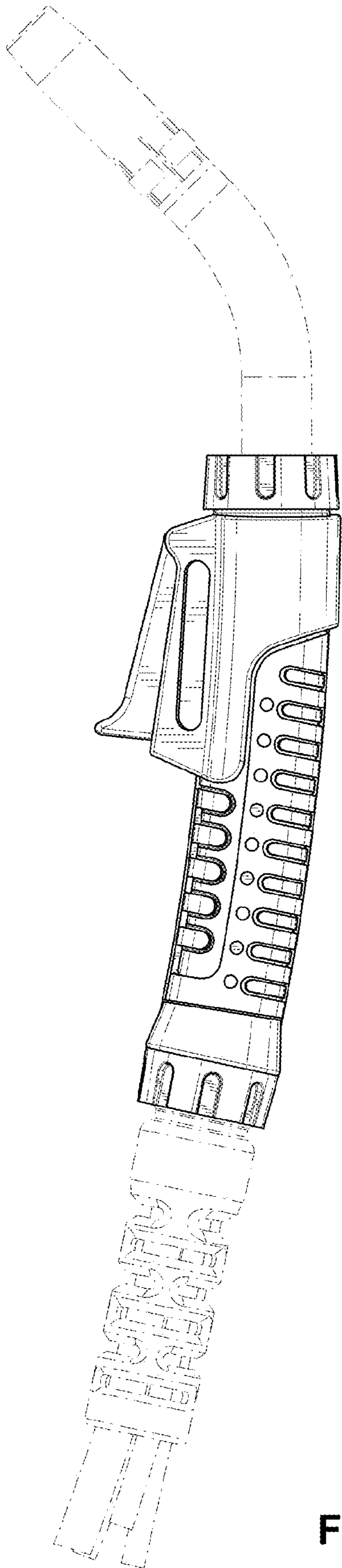


FIG. 2

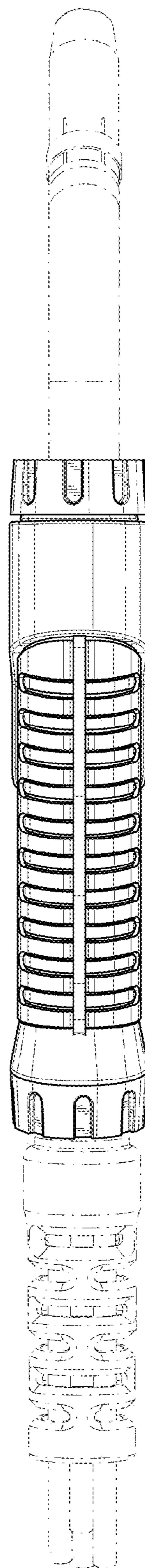


FIG. 3

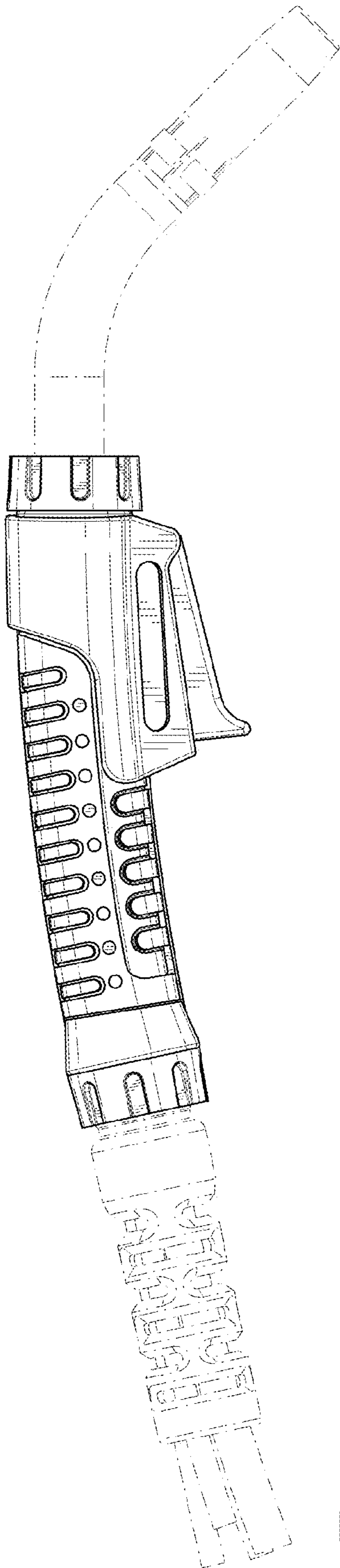


FIG. 4

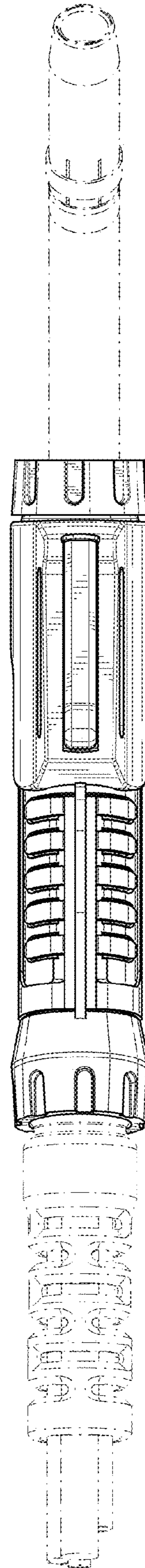


FIG. 5

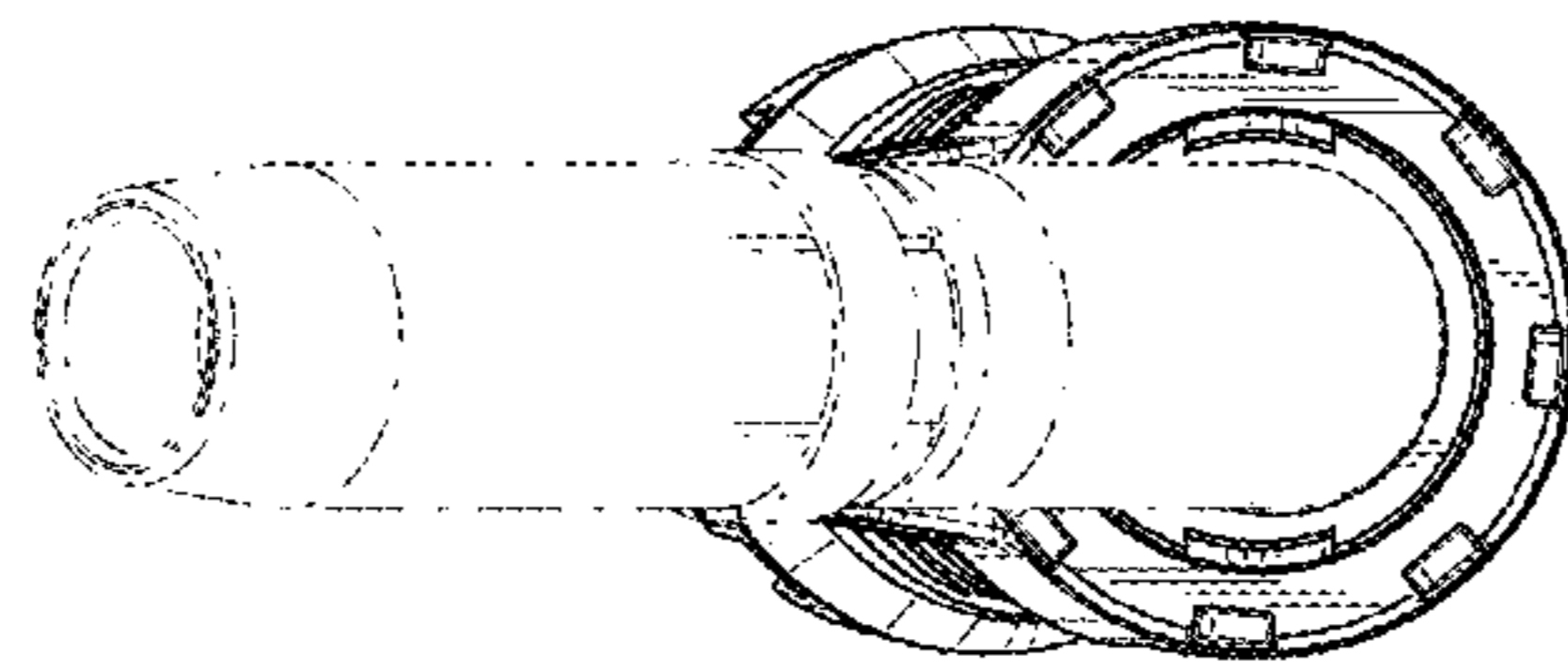


FIG. 6

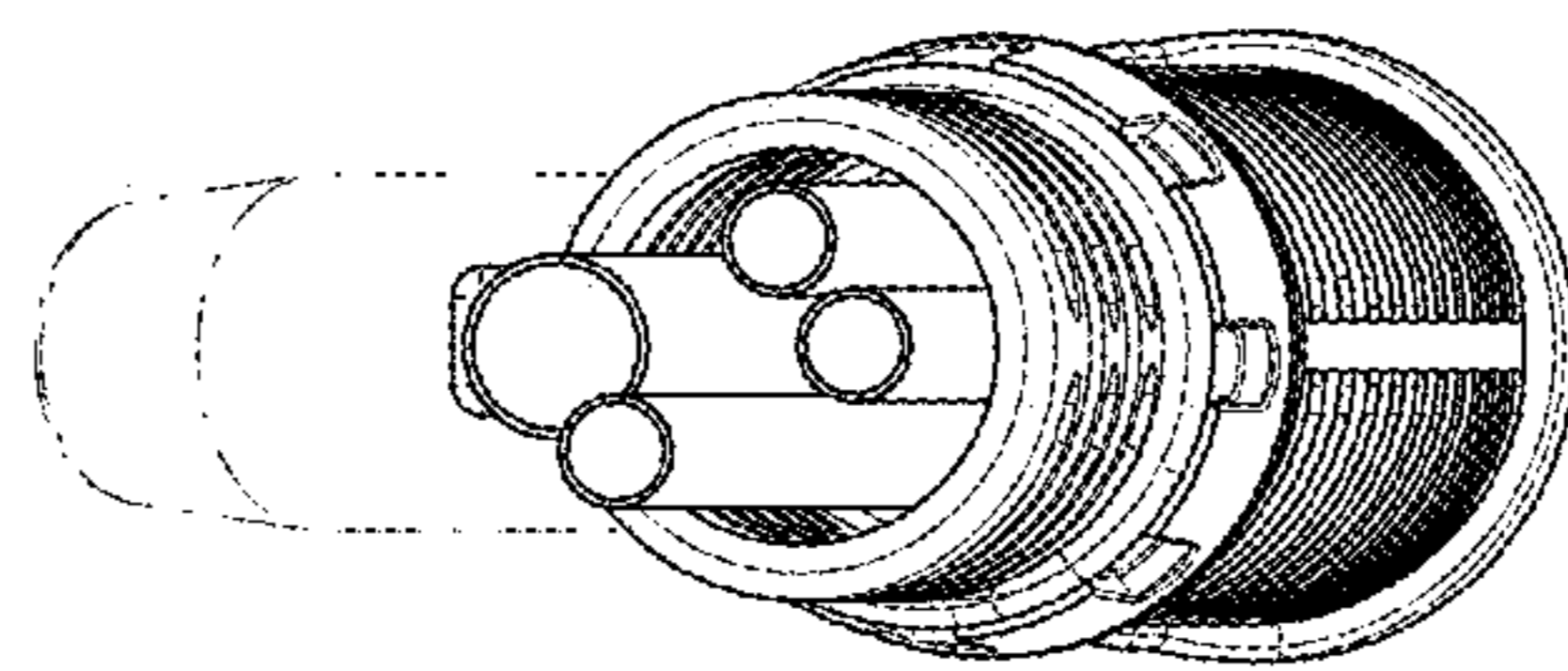


FIG. 7