



US00D883054S

(12) **United States Design Patent**  
**Uranga Elorza et al.**

(10) **Patent No.:** **US D883,054 S**  
(45) **Date of Patent:** **\*\* May 5, 2020**

- (54) **T-HANDLE FOR A HEX TOOL**
- (71) Applicant: **SNA EUROPE INDUSTRIES IBERIA, S. A.**, Vitoria, Alava (ES)
- (72) Inventors: **Jon Uranga Elorza**, Alava (ES); **Xabier Arrizabalaga Iraegui**, Alava (ES); **Mikel Etxabibel Martinez De Marigorta**, Alava (ES); **Egoitz Aranberri Aresti**, Alava (ES); **Inaki Arroyo Martinez**, Alava (ES); **Asier Saez De Castillo Apodaca**, Alava (ES); **Andoni Juarrero Maiztegui**, Alava (ES); **Kepa Urlezaga Arazosa**, Alava (ES); **Jokin Longarte Lecinana**, Alava (ES)
- (73) Assignee: **SNA EUROPE INDUSTRIES IBERIA, S.A.**, Vitoria, Alava (ES)
- (\*\*) Term: **15 Years**
- (21) Appl. No.: **29/671,989**
- (22) Filed: **Nov. 30, 2018**
- (51) **LOC (12) Cl.** ..... **08-05**
- (52) **U.S. Cl.**  
USPC ..... **D8/21; D8/107**
- (58) **Field of Classification Search**  
USPC ..... D8/14, 21, 51, 82, 83, 84, 85, 105, 107, D8/300  
CPC ..... B25B 15/001; B25B 15/008; B25B 15/02; B25B 15/04; B25G 1/005; B25G 1/063; B25G 1/046; B25G 1/085  
See application file for complete search history.

(56) **References Cited**

**U.S. PATENT DOCUMENTS**

- 2,950,746 A \* 8/1960 Towne ..... B25B 15/04 81/177.1
- D339,048 S \* 9/1993 Baum ..... D8/107
- D342,202 S 12/1993 Young

(Continued)

*Primary Examiner* — Philip S Hyder  
(74) *Attorney, Agent, or Firm* — Craft Chu PLLC; Andrew W. Chu

(57) **CLAIM**

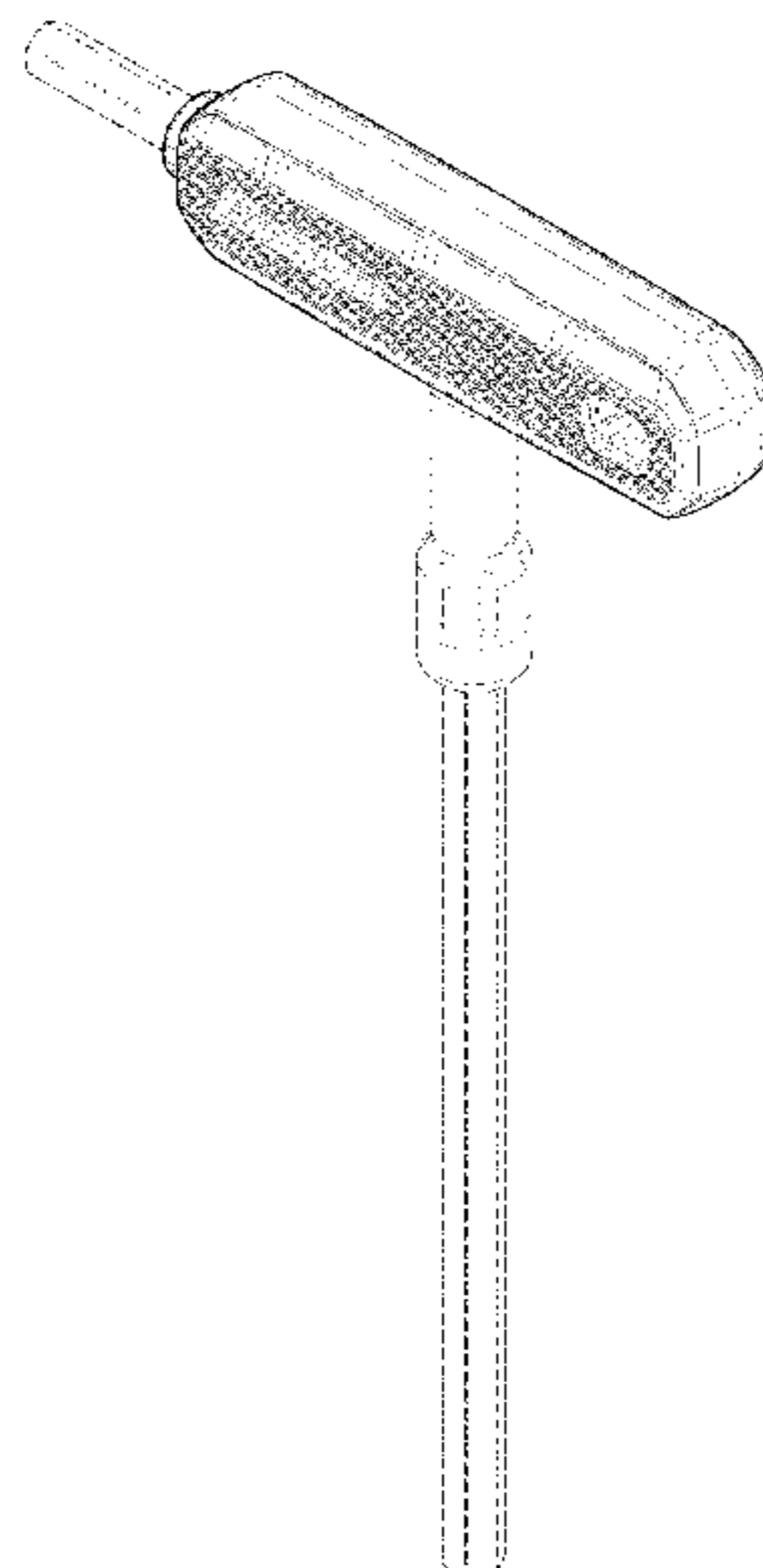
The ornamental design for a T-handle for a hex tool, as shown and described.

**DESCRIPTION**

FIG. 1 is an upper perspective view of the T-handle for a hex tool, showing attached components and surface markings in broken lines;  
 FIG. 2 is a side elevation view thereof, showing the attached components and surface markings in broken lines;  
 FIG. 3 is an opposite side elevation view thereof, showing the attached components and surface markings in broken lines;  
 FIG. 4 is a back elevation view thereof, showing the attached components in broken lines;  
 FIG. 5 is a front elevation view thereof, showing the attachment components in broken lines;  
 FIG. 6 is a top plan view thereof, showing the attachment components in broken lines;  
 FIG. 7 is a bottom plan view thereof, showing the attachment components in broken lines;  
 FIG. 8 is another upper perspective view thereof, showing different attachment portions and surface markings in broken lines;  
 FIG. 9 is an exploded upper perspective view thereof, showing different attachment portions and surface markings in broken lines; and,  
 FIG. 10 is a detailed enlarged perspective partial view of FIG. 1, showing attachment components and surface markings in broken lines.

The broken lines indicate the scope of the design for the body of the T-handle and environment that forms no part of the claimed design. The attached components show hex tools of different sizes in broken lines as environment.

**1 Claim, 6 Drawing Sheets**



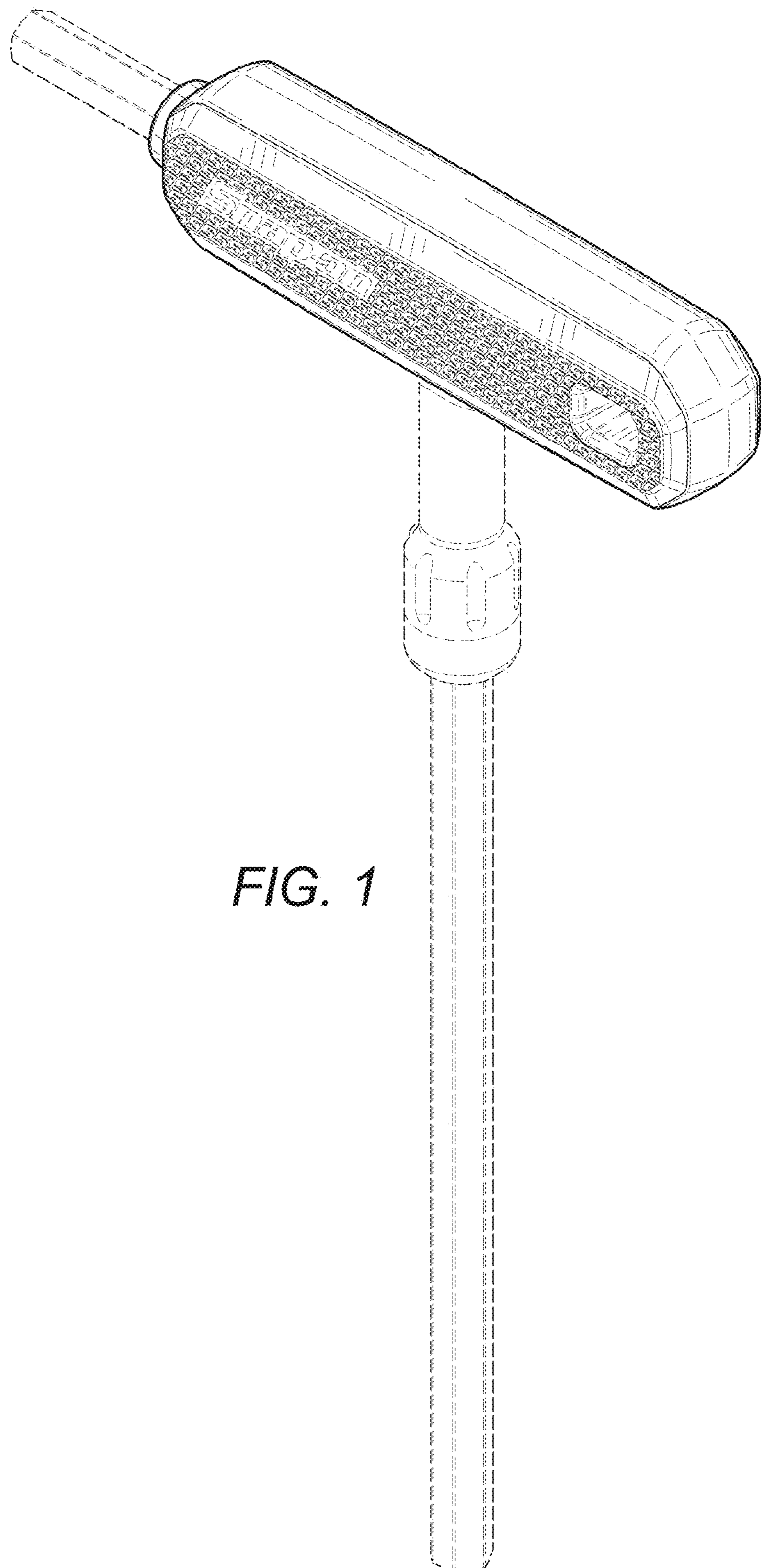
(56)

**References Cited**

U.S. PATENT DOCUMENTS

D377,444	S *	1/1997	Lin	.....	D8/107
5,822,830	A *	10/1998	Lin	.....	B25G 1/005 16/422
D440,133	S *	4/2001	Webb	.....	D8/21
D454,045	S *	3/2002	Rinner	.....	D8/107
D552,949	S *	10/2007	Strahorn	.....	D8/21
D557,584	S *	12/2007	Gao	.....	D8/107
7,942,253	B2 *	5/2011	Schneeman	.....	B25B 15/04 192/43.2
D649,423	S *	11/2011	Robinson	.....	D8/83
D657,223	S	4/2012	Huang		
D664,408	S	7/2012	Mitchell		
D668,921	S *	10/2012	Fossum	.....	D8/21
8,393,252	B2 *	3/2013	Hsieh	.....	B25B 13/461 81/436
8,714,056	B2 *	5/2014	Landowski	.....	B25B 23/1427 81/474
D711,708	S *	8/2014	Larson	.....	D8/21
D755,602	S *	5/2016	Marcus	.....	D8/85
D758,813	S *	6/2016	Christopher	.....	D8/21
D811,192	S *	2/2018	Gehrung	.....	D8/105
2013/0188605	A1 *	7/2013	Godin	.....	H04W 76/30 370/331

\* cited by examiner



*FIG. 1*

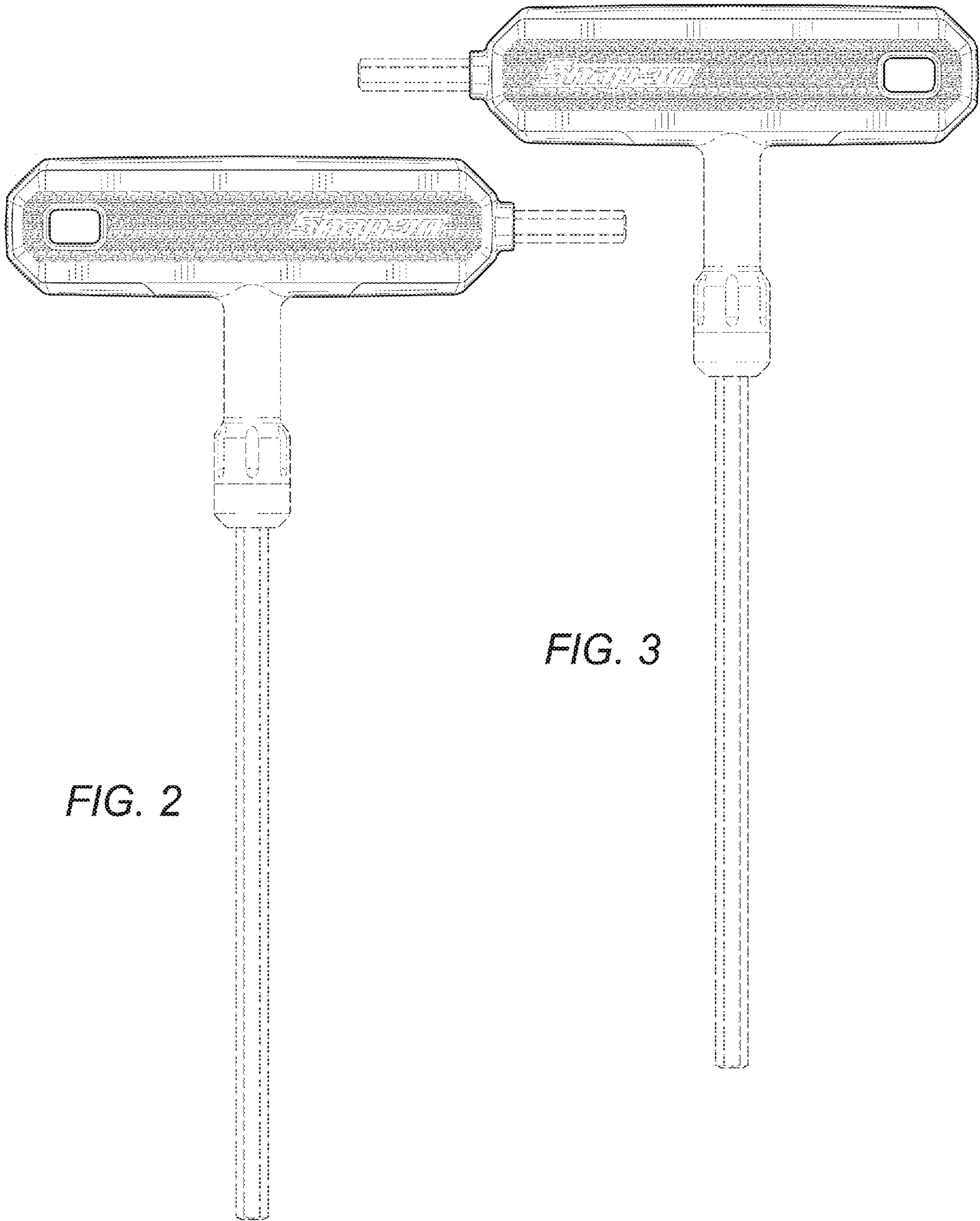
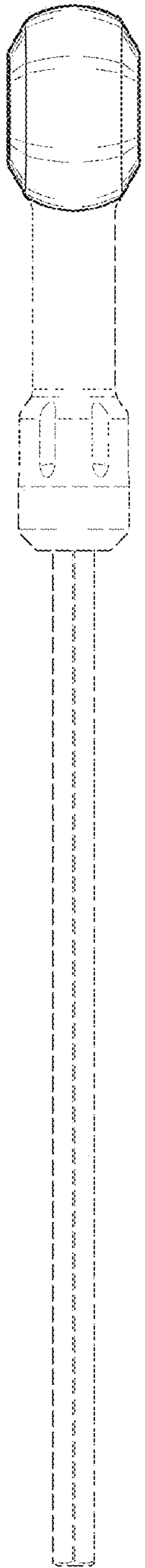
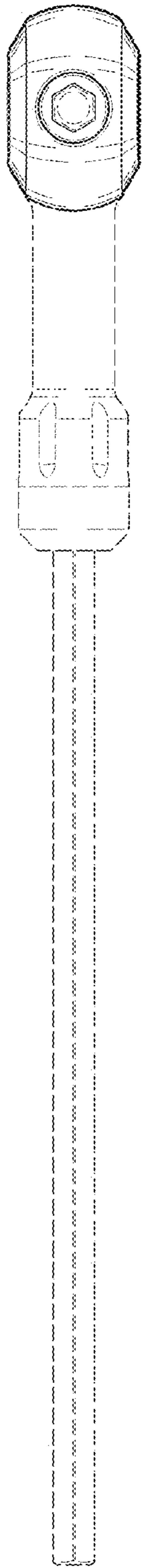


FIG. 2

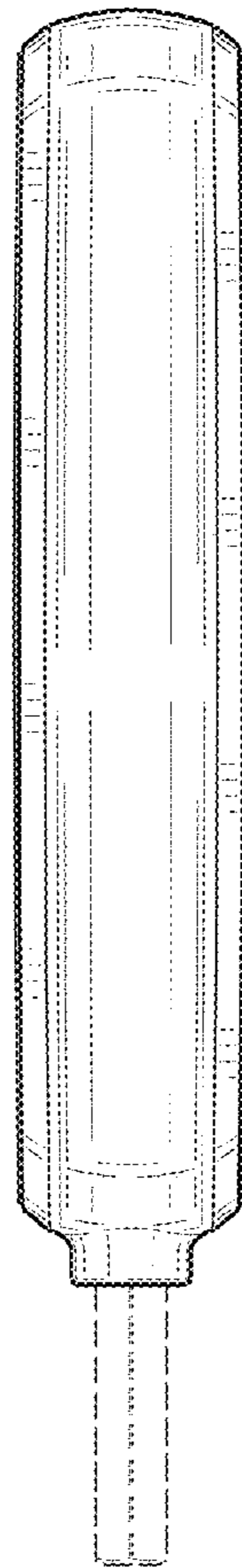
FIG. 3



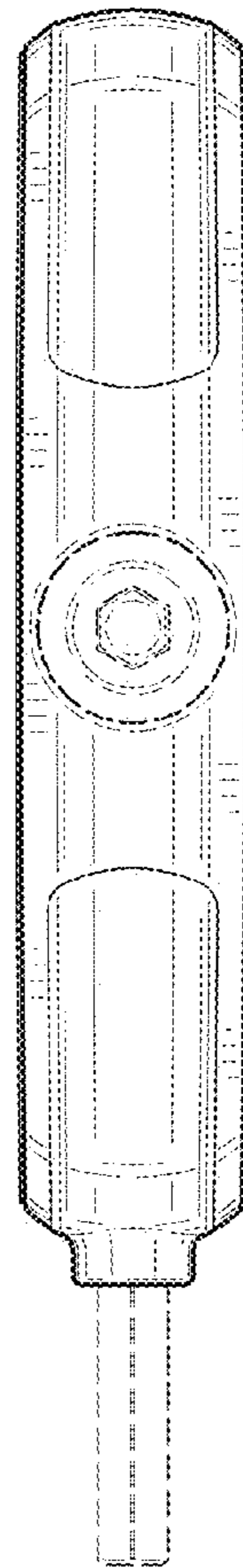
*FIG. 4*



*FIG. 5*



*FIG. 6*



*FIG. 7*

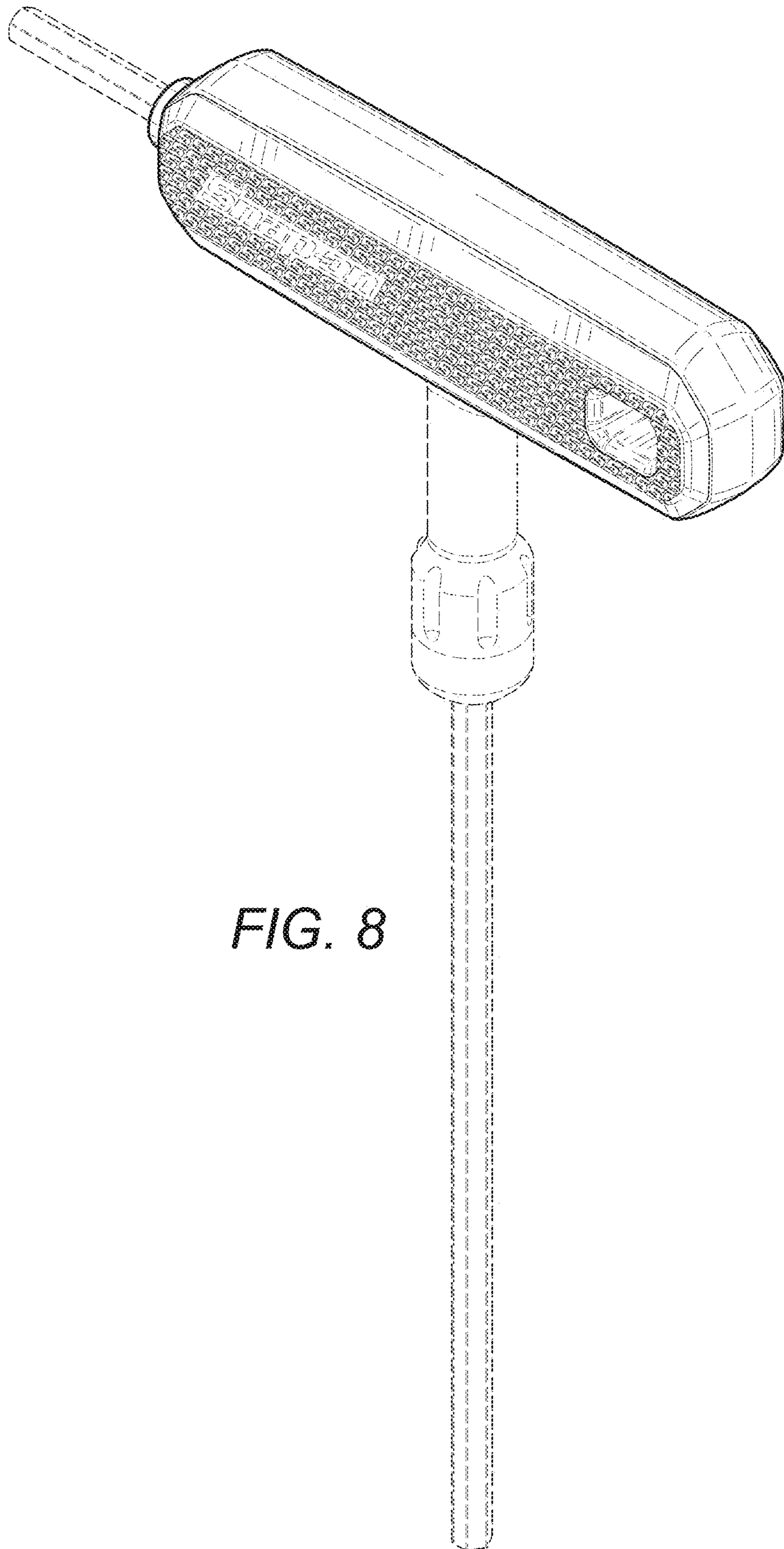
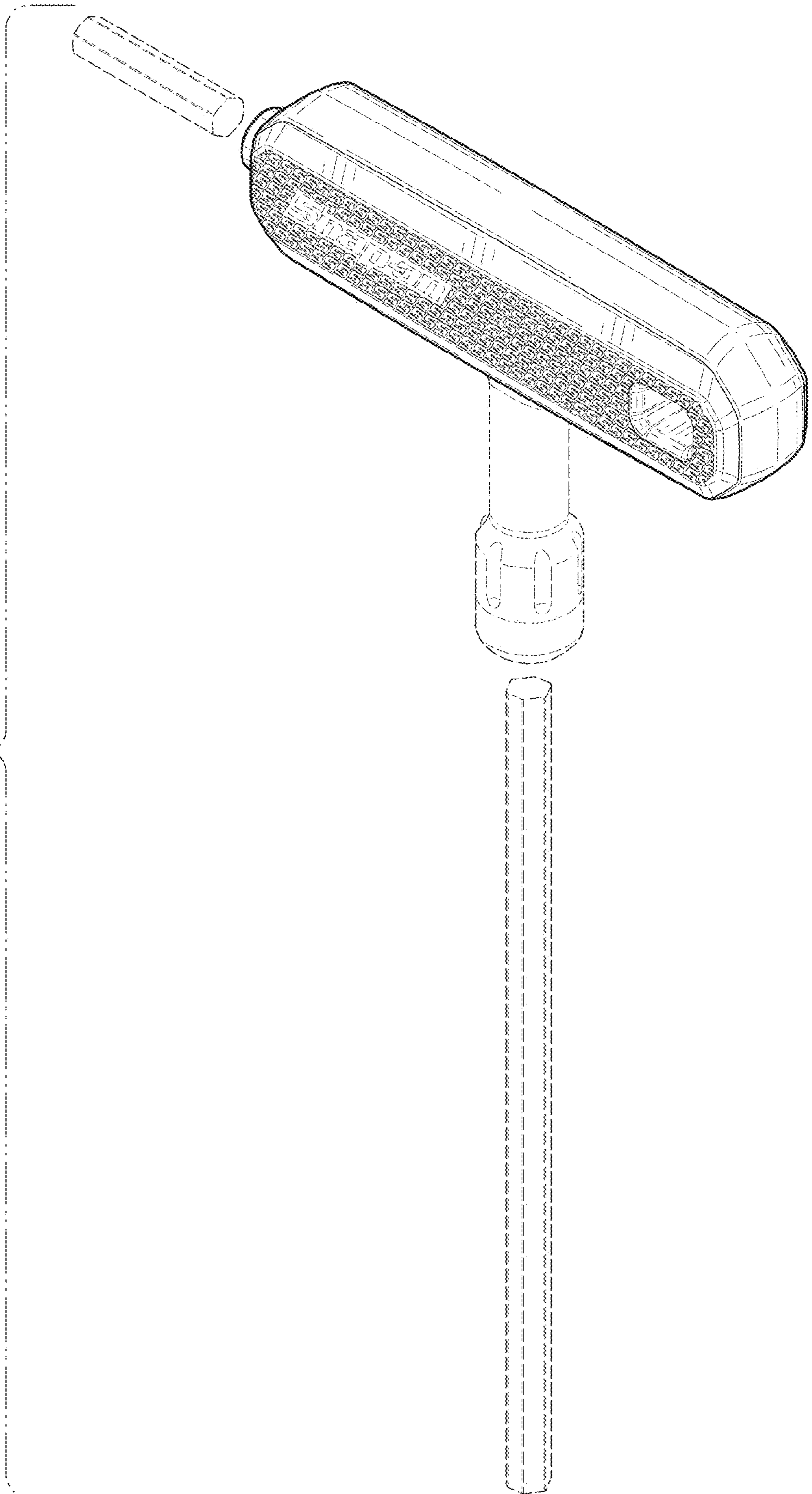
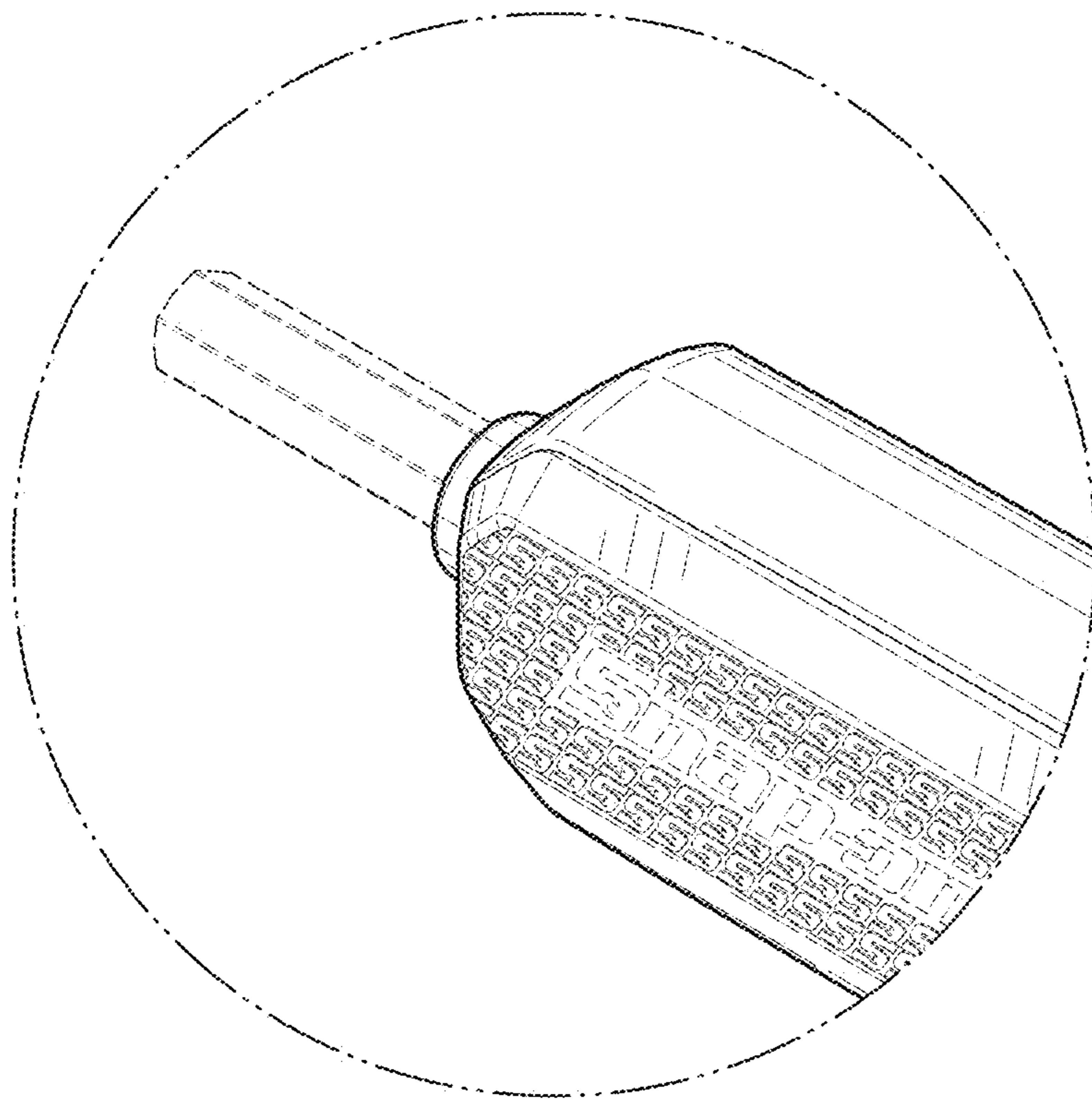


FIG. 8

FIG. 9





*FIG. 10*