



US00D883052S

(12) **United States Design Patent**
Almajid

(10) **Patent No.:** **US D883,052 S**

(45) **Date of Patent:** **** May 5, 2020**

(54) **COMPONENT DISCHARGE DEVICE**

(71) Applicant: **Sulzer Mixpac AG**, Haag (CH)

(72) Inventor: **Juan Almajid**, Valby (DK)

(73) Assignee: **SULZER MIXPAC AG**, Haag (CH)

(**) Term: **14 Years**

(21) Appl. No.: **29/495,451**

(22) Filed: **Jul. 1, 2014**

(30) **Foreign Application Priority Data**

Jan. 7, 2014 (EM) 002381236

(51) **LOC (12) Cl.** **08-05**

(52) **U.S. Cl.**
USPC **D8/14.1**

(58) **Field of Classification Search**
USPC D8/14, 14.1
CPC B05C 17/0103; B05C 17/00553; B05C
17/00576
See application file for complete search history.

(56) **References Cited**

U.S. PATENT DOCUMENTS

4,615,469 A * 10/1986 Kishi et al. 222/327
D545,152 S * 6/2007 Lopano et al. D8/14.1
D567,038 S * 4/2008 Carallo D7/700
D573,425 S * 7/2008 Post et al. D8/14.1

D635,835 S * 4/2011 Post D8/14.1
D636,091 S * 4/2011 Brummitt D24/221
D687,273 S * 8/2013 Breitenmoser et al. D8/14.1
8,573,450 B2 * 11/2013 Hsu et al. 222/333
8,875,948 B2 * 11/2014 Naughton 222/137
D719,424 S * 12/2014 Okuda et al. D8/14.1
D725,978 S * 4/2015 Uematsu et al. D8/14.1
D729,400 S * 5/2015 Hayman et al. D24/221
2008/0197154 A1 * 8/2008 Herman et al. 222/326

* cited by examiner

Primary Examiner — Philip S Hyder

(74) *Attorney, Agent, or Firm* — Global IP Counselors,
LLP

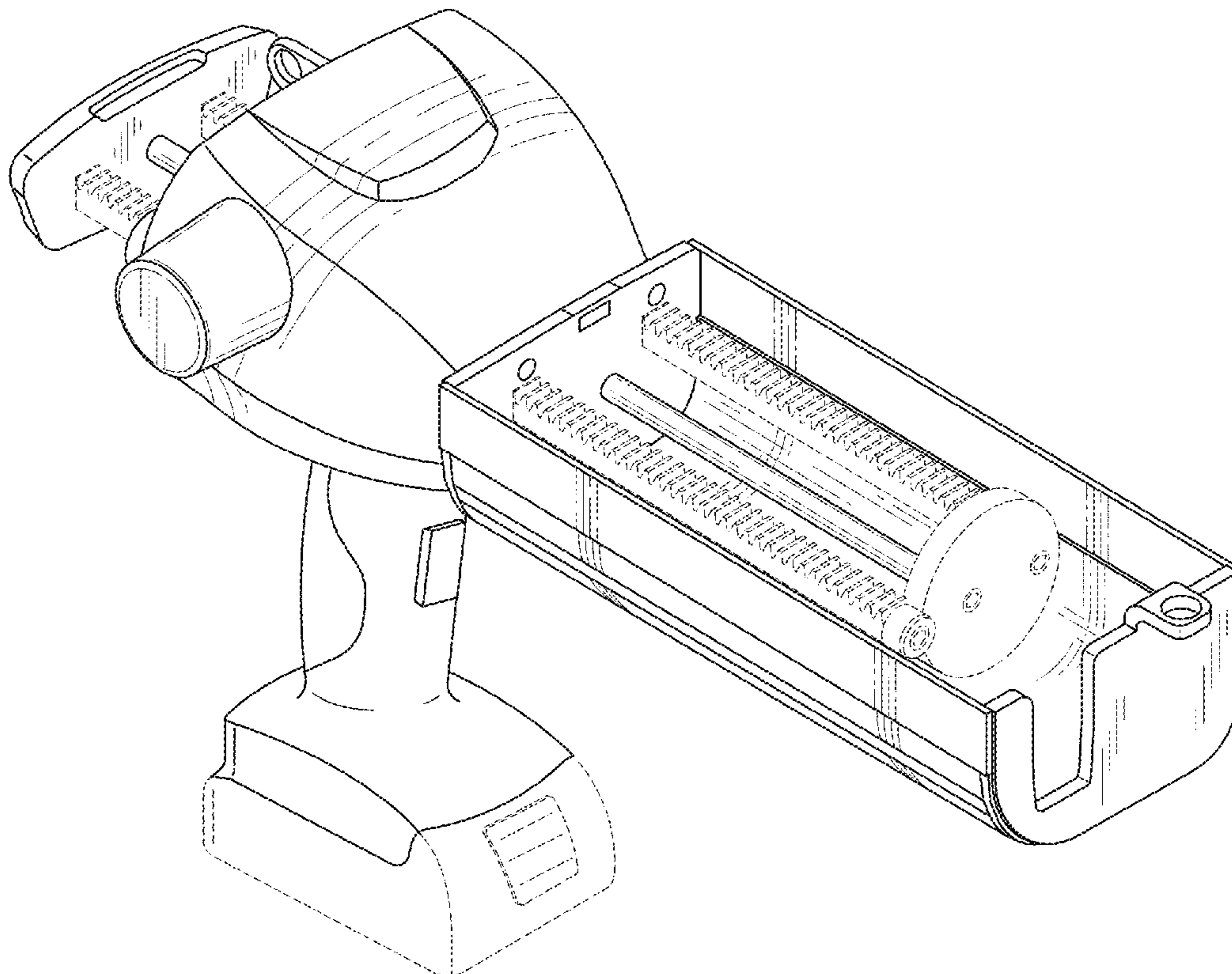
(57) **CLAIM**

The ornamental design for a component discharge device, as shown and described.

DESCRIPTION

FIG. 1 is a front right perspective view of a component discharge device embodying our new design; FIG. 2 is a front left perspective view thereof; FIG. 3 is a rear left perspective view thereof; FIG. 4 is a rear elevation view thereof; FIG. 5 is a front elevation view thereof; FIG. 6 is a top plan view thereof; FIG. 7 is a bottom plan view thereof; FIG. 8 is a right side elevation view thereof; and, FIG. 9 is a left side elevation view thereof.

1 Claim, 8 Drawing Sheets



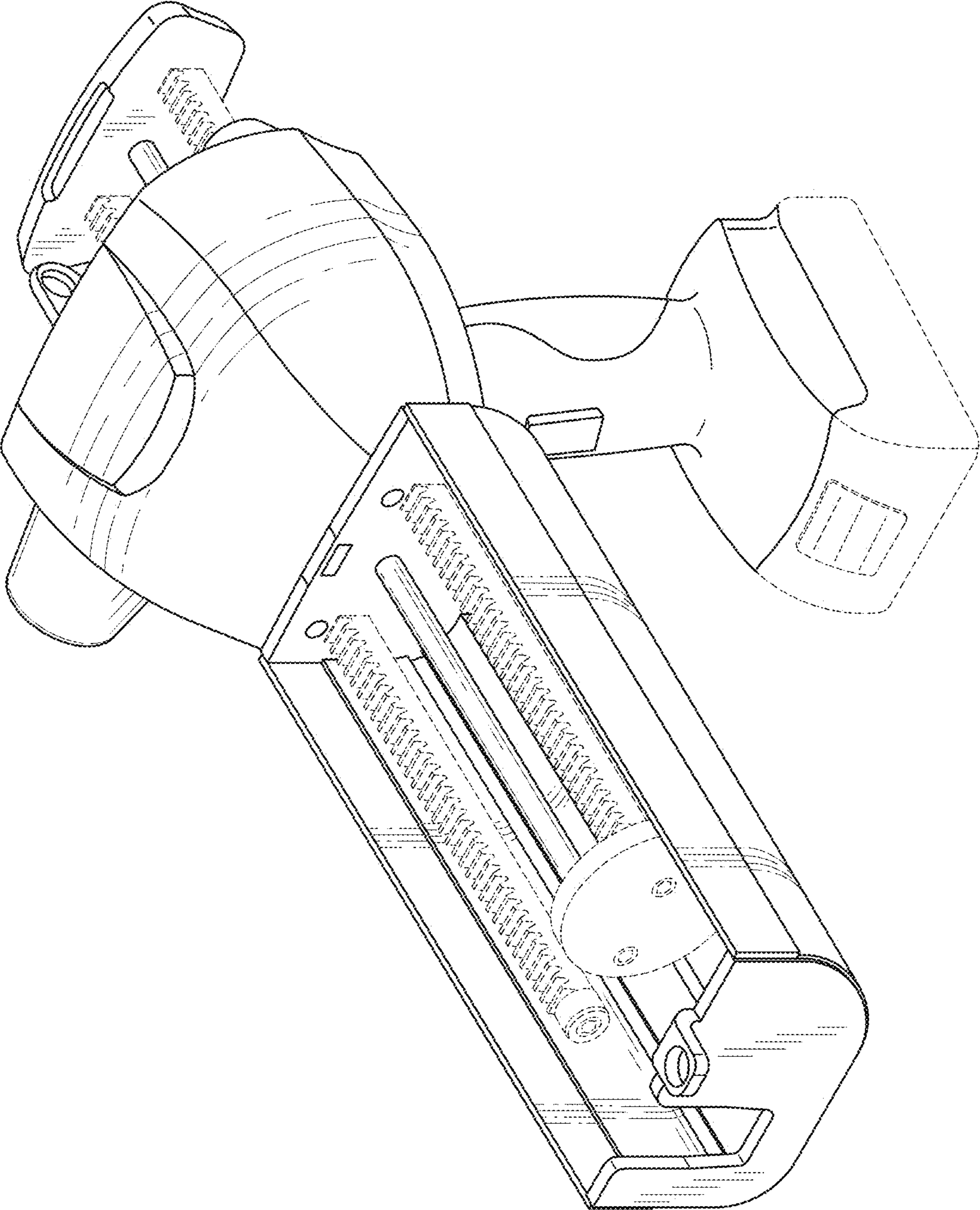


FIG. 1

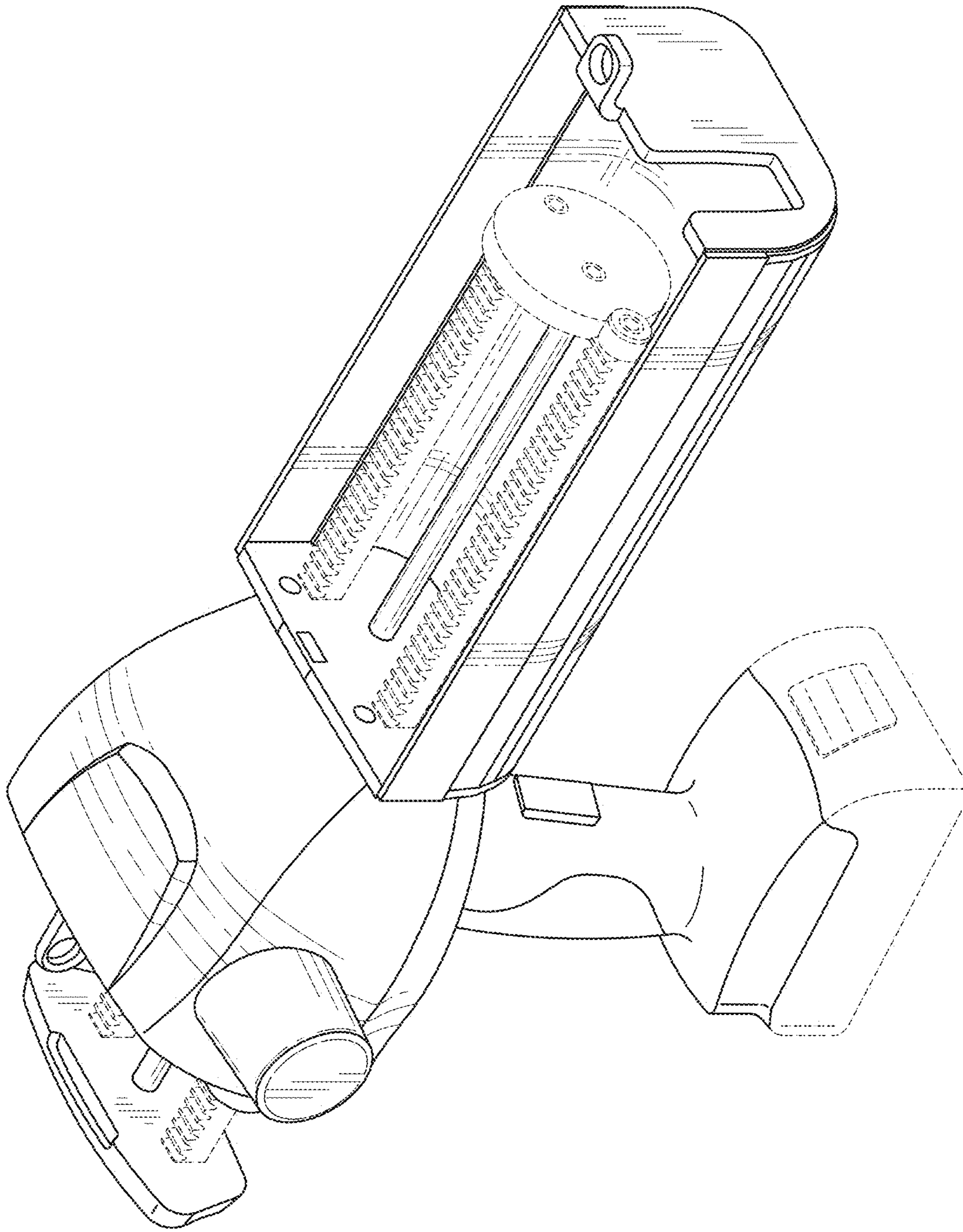


FIG. 2

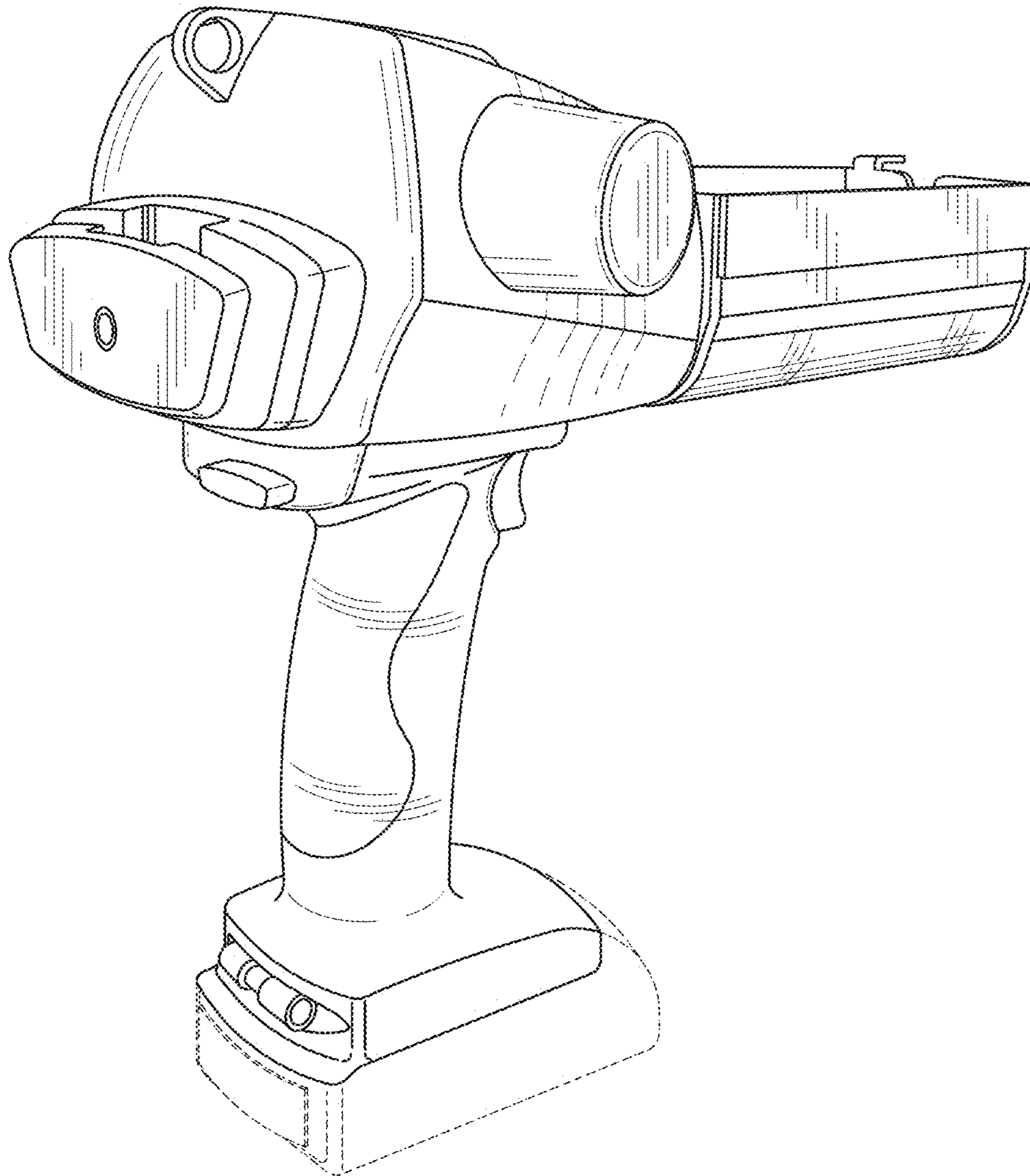


FIG. 3

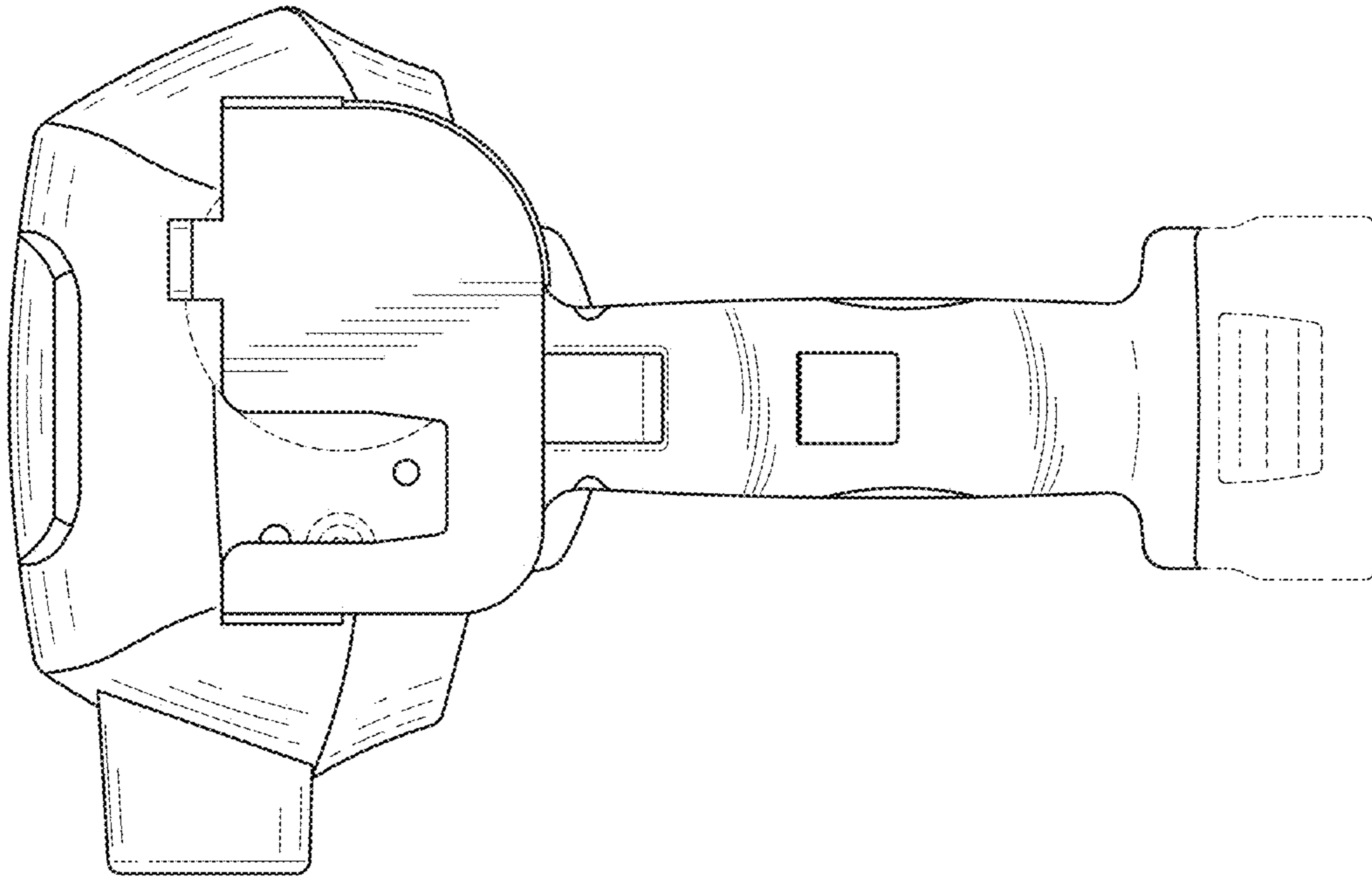


FIG. 5

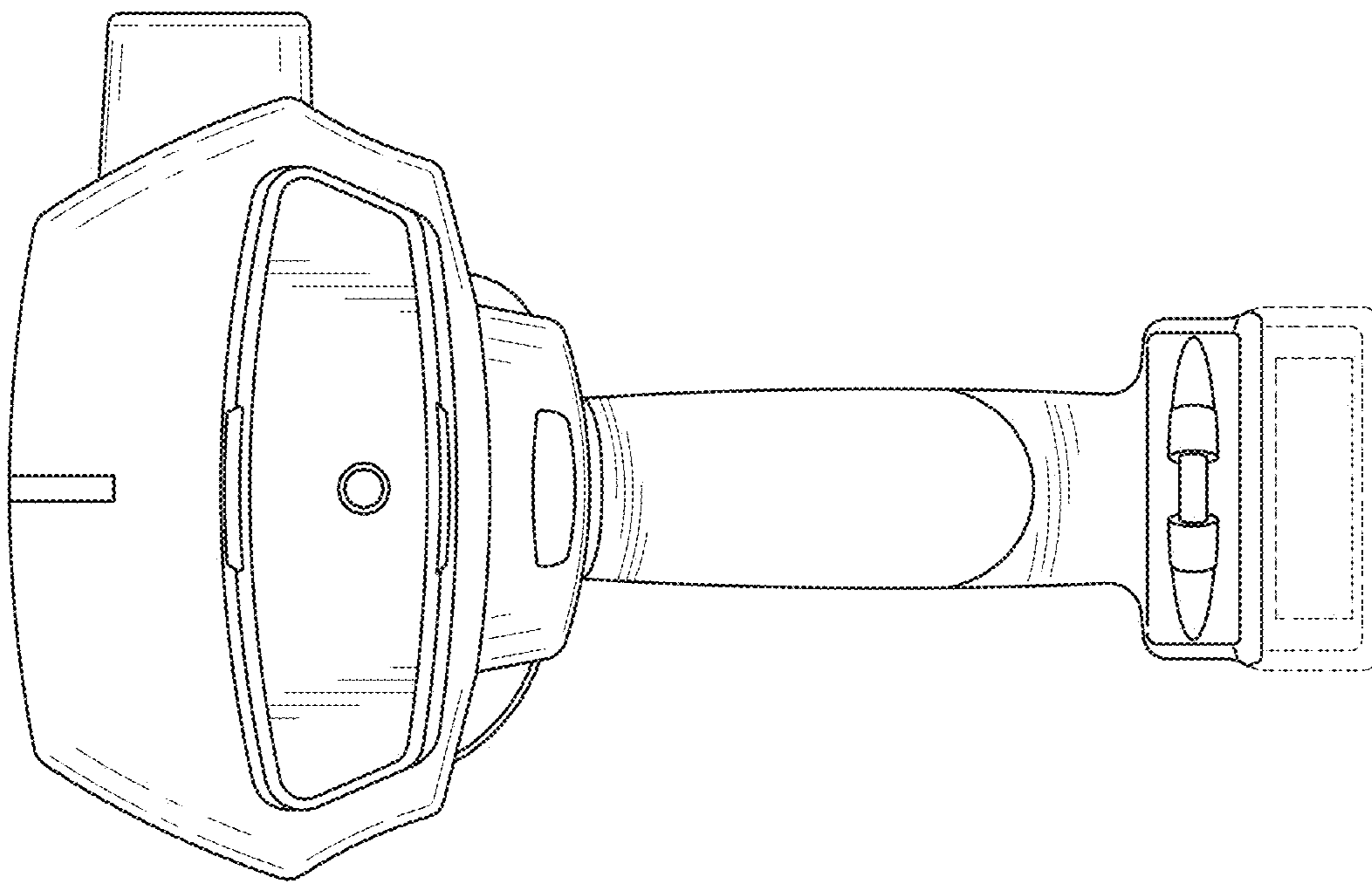


FIG. 4

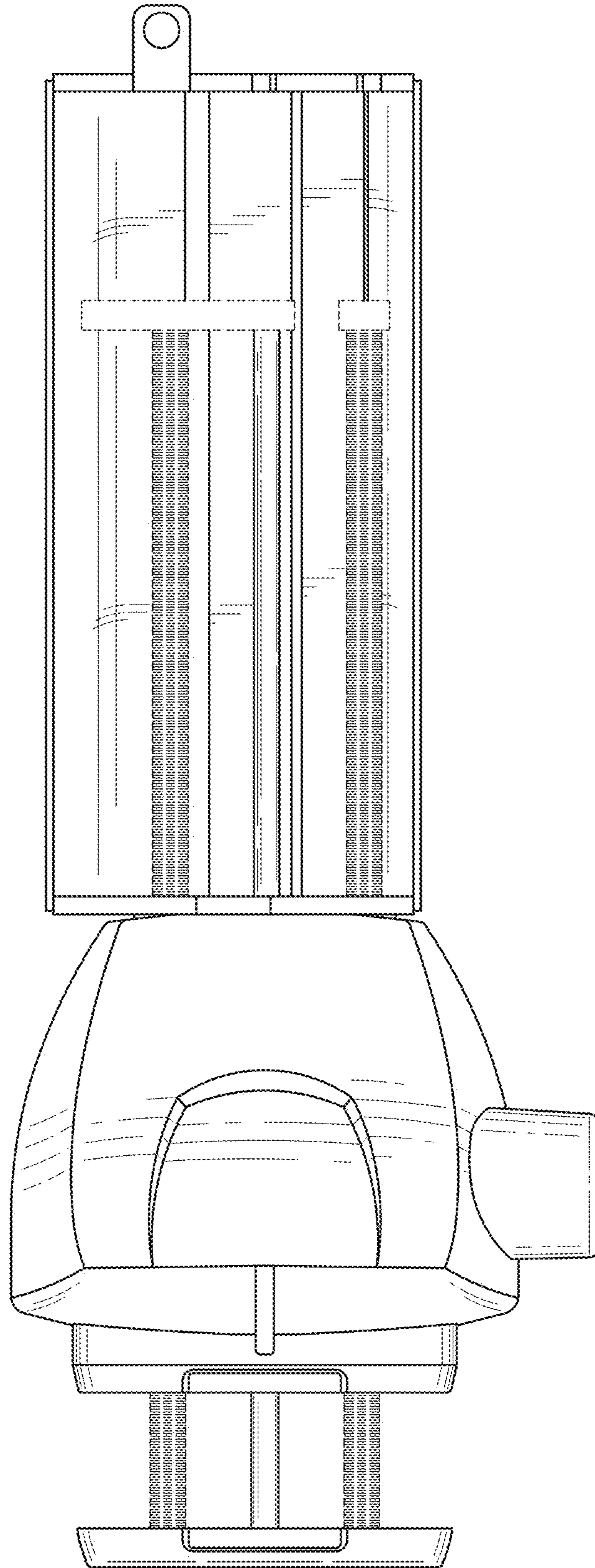


FIG. 6

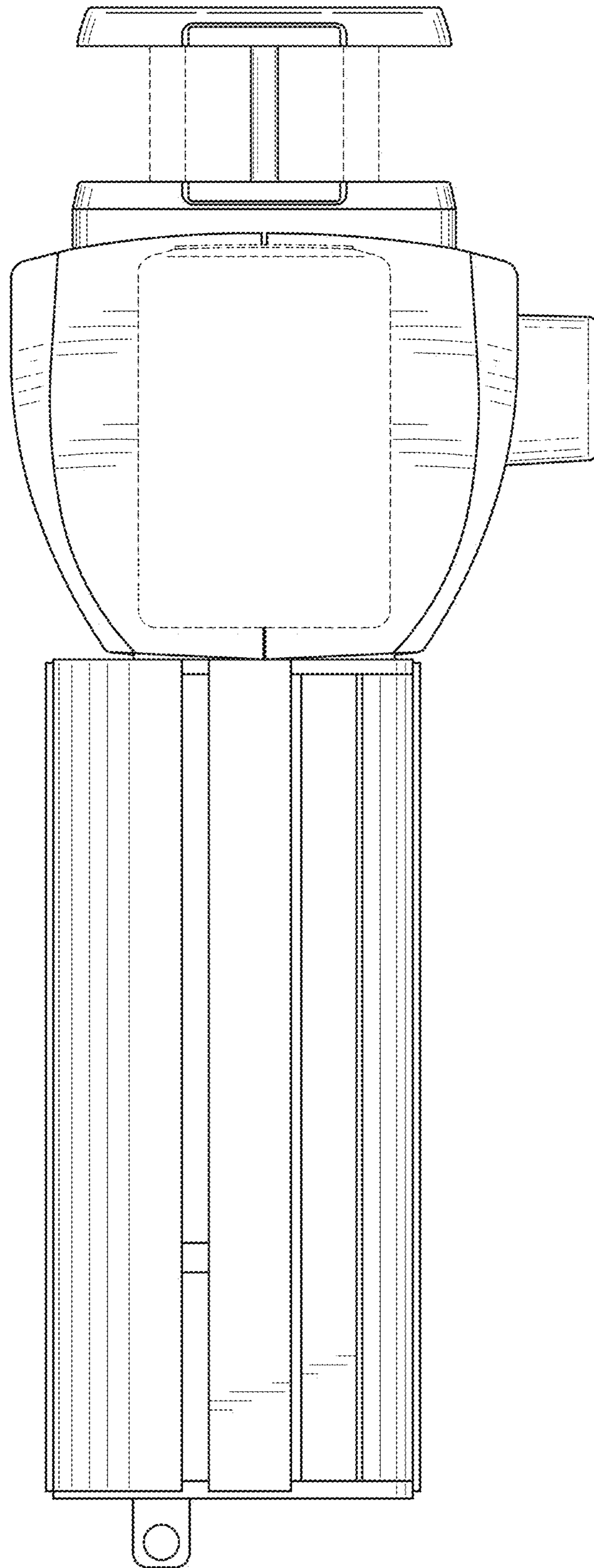


FIG. 7

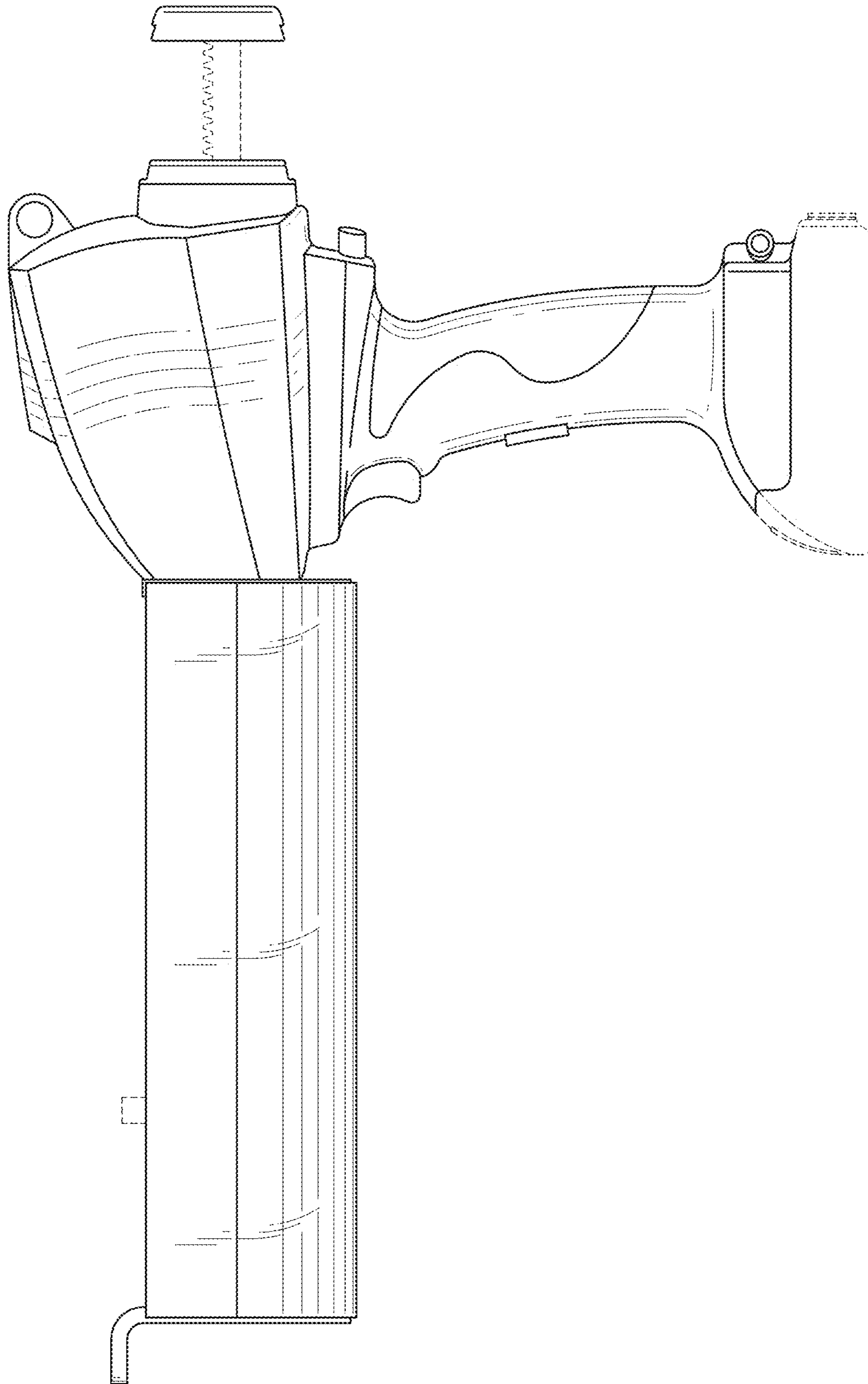


FIG. 8

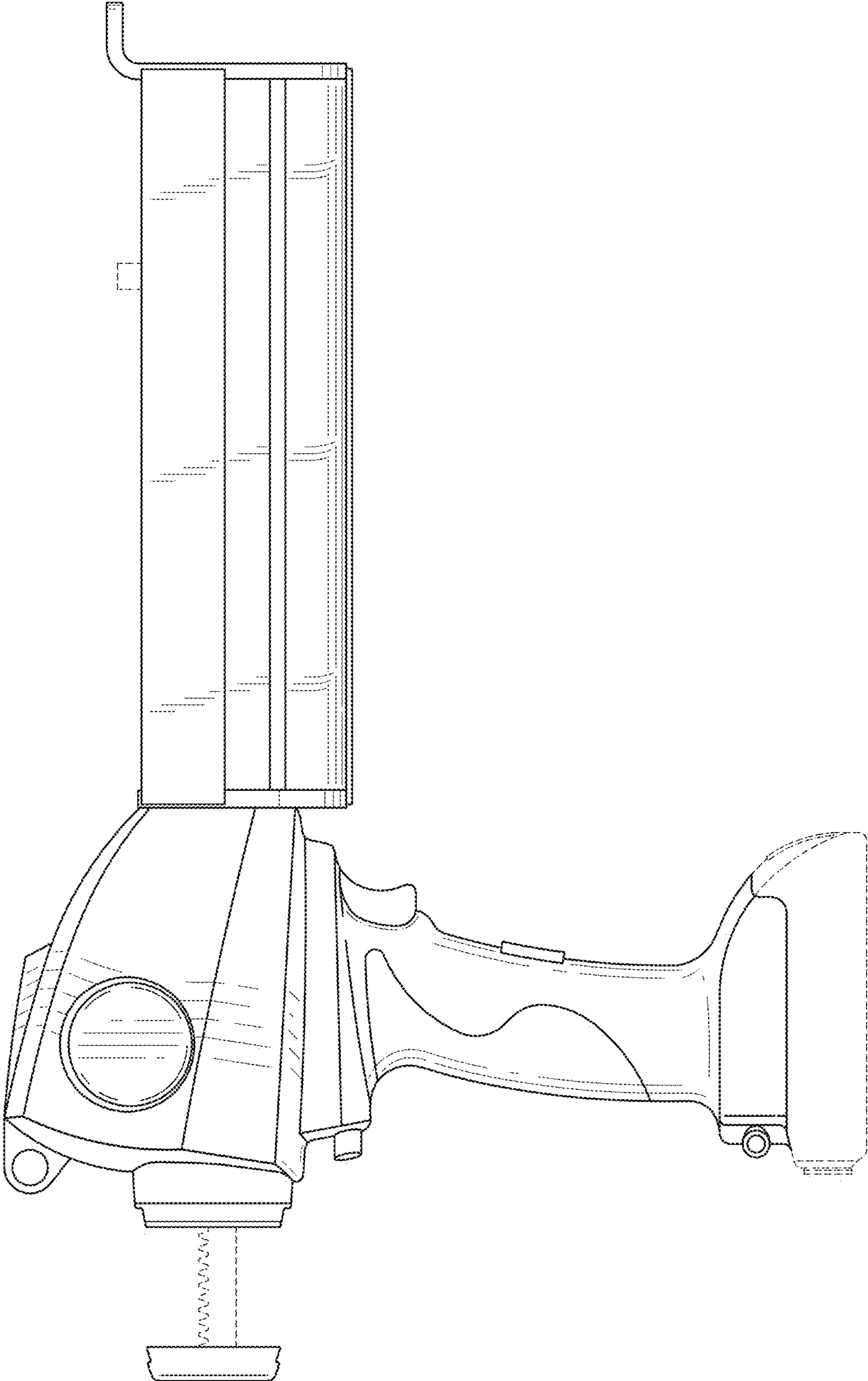


FIG. 9