



US00D883049S

(12) **United States Design Patent**
Heine et al.

(10) **Patent No.:** **US D883,049 S**

(45) **Date of Patent:** **** May 5, 2020**

(54) **CUTTING TOOL FOR TREE PRUNING**

(71) Applicant: **Fiskars Finland Oy Ab**, Helsinki (FI)

(72) Inventors: **Mikko Heine**, Helsinki (FI); **Kari Kunnas**, Helsinki (FI); **Sami Lyytikäinen**, Helsinki (FI); **Petteri Masalin**, Helsinki (FI)

(73) Assignee: **FISKARS FINLAND OY AB**, Helsinki (FI)

(**) Term: **15 Years**

(21) Appl. No.: **29/602,891**

(22) Filed: **May 4, 2017**

(30) **Foreign Application Priority Data**

Nov. 7, 2016 (EM) 003450964

(51) **LOC (12) Cl.** **08-01**

(52) **U.S. Cl.**
USPC **D8/7**

(58) **Field of Classification Search**
USPC D8/1, 4, 6, 7, 51, 52, 54
CPC A01G 3/0255; A01G 3/02; A01G 3/021;
A01G 3/0475; A01G 3/025; A01G
3/0335; A01G 3/033; A01G 3/037; B26B
15/00

See application file for complete search history.

(56) **References Cited**

U.S. PATENT DOCUMENTS

875,159 A	12/1907	Crow	
967,502 A	8/1910	Cooper	
1,557,853 A	10/1925	Lipscomb	
1,697,749 A	1/1929	Billings	
2,795,034 A	6/1957	Forgette	
D211,196 S	* 5/1968	Hollis	D8/13
D215,806 S	* 11/1969	Clark	D8/4
D295,017 S	4/1988	Evenson	

D321,816 S	*	11/1991	Fushiya	D8/7
D329,796 S		9/1992	Olson et al.		
D367,416 S		2/1996	Gustafson et al.		
D379,422 S		5/1997	Yates et al.		
5,950,315 A	*	9/1999	Linden	A01G 3/0255 30/249
D429,130 S		8/2000	Fallandy		

(Continued)

Primary Examiner — Sandra S Snapp

Assistant Examiner — Ieisha N Price

(74) *Attorney, Agent, or Firm* — Leason Ellis LLP

(57) **CLAIM**

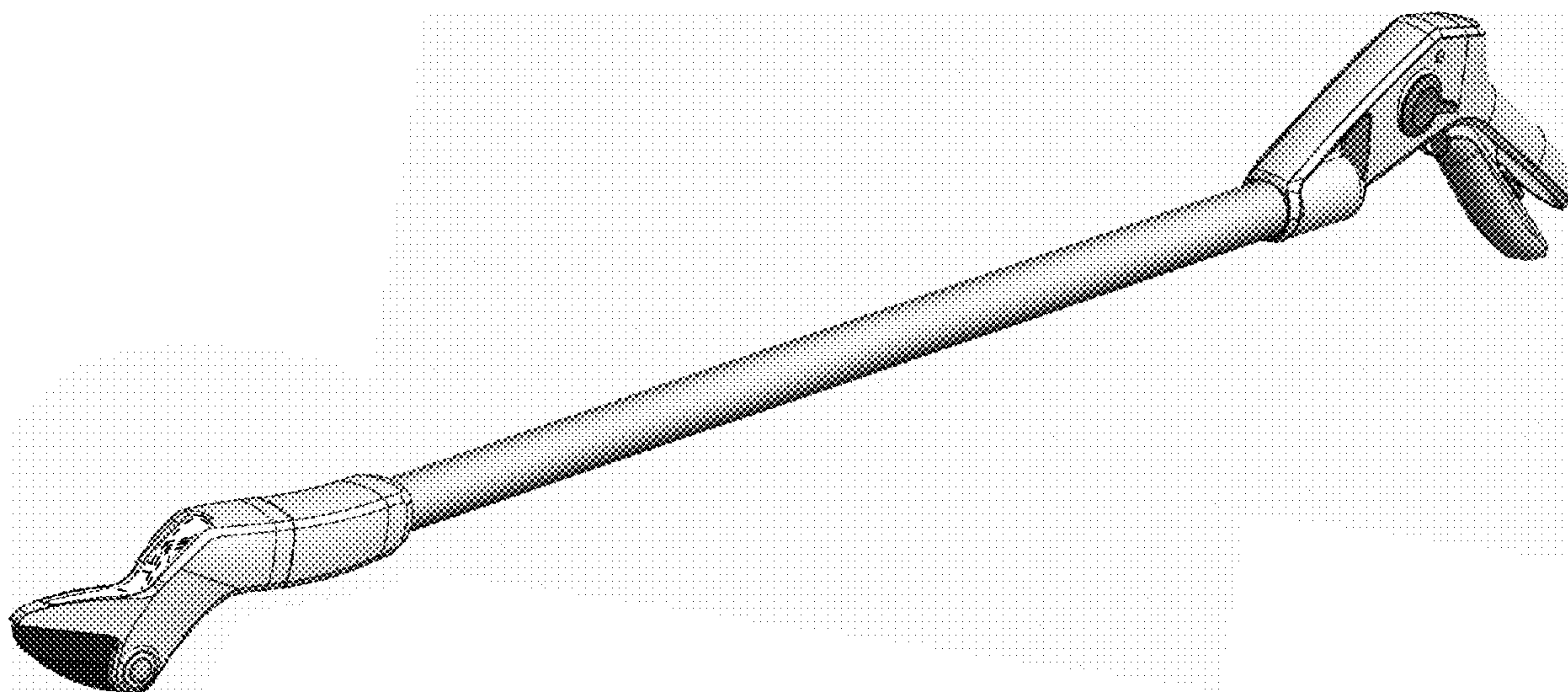
The ornamental design for a cutting tool for tree pruning, as shown and described.

DESCRIPTION

FIG. 1 is a top perspective view of the first embodiment of the claimed design;
 FIG. 2 is front view thereof;
 FIG. 3 is a rear view thereof;
 FIG. 4 is a left side view thereof;
 FIG. 5 is a right side view thereof;
 FIG. 6 is a top view thereof;
 FIG. 7 is a bottom view thereof;
 FIG. 8 is a top perspective view of the second embodiment of the claimed design;
 FIG. 9 is front view thereof;
 FIG. 10 is a rear view thereof;
 FIG. 11 is a left side view thereof;
 FIG. 12 is a right side view thereof;
 FIG. 13 is a top view thereof; and,
 FIG. 14 is a bottom view thereof.

The broken lines rendered in embodiment 2 of the drawings illustrate portions of the cutting tool for tree pruning and form no part of the claimed design. The superimposed areas incased in broken lines, shown in embodiment 1 of the drawings, illustrate portions of the cutting tool for tree pruning and form no part of the claimed design.

1 Claim, 8 Drawing Sheets



(56)

References Cited

U.S. PATENT DOCUMENTS

D473,764 S *	4/2003	Wu	D8/5	2004/0194320 A1 *	10/2004	Hsieh	A01G 3/0255	30/250
6,748,663 B2	6/2004	Linden		2006/0225289 A1	10/2006	Glodowski		
D494,039 S	8/2004	Tsai		2010/0186559 A1	7/2010	Pell		
D519,821 S	5/2006	Tsai		2010/0199502 A1 *	8/2010	Linden	A01G 3/0255	30/249
D551,530 S	9/2007	Hirsch		2010/0299936 A1 *	12/2010	Chen	A01G 3/08	30/199
D570,659 S	6/2008	Lin		2011/0016731 A1 *	1/2011	Wu	A01G 3/0255	30/249
D592,482 S	5/2009	Gregory		2011/0173820 A1 *	7/2011	Pelleng	A01G 3/037	30/381
D599,172 S	9/2009	Wang et al.		2011/0219629 A1 *	9/2011	Wu	A01G 3/0255	30/249
D599,626 S	9/2009	Wang et al.		2011/0258859 A1 *	10/2011	Schofield	A01G 3/037	30/228
D630,927 S	1/2011	Huang		2011/0271532 A1 *	11/2011	Wu	A01G 3/0255	30/249
D632,858 S	2/2011	Sgroi et al.		2012/0167396 A1 *	7/2012	Wu	A01G 3/0255	30/249
D636,956 S	4/2011	Sgroi et al.		2012/0167397 A1 *	7/2012	Huang	A01G 3/0255	30/249
8,060,987 B1 *	11/2011	Troudt	B25G 1/04 16/427					
D655,815 S	3/2012	Miller et al.						
D743,770 S	11/2015	Hsieh						
D754,517 S	4/2016	Henderson						
D773,276 S	12/2016	Ou						
9,872,591 B2	1/2018	Casavan						
2003/0145470 A1 *	8/2003	Huang	A01G 3/065 30/249					

* cited by examiner

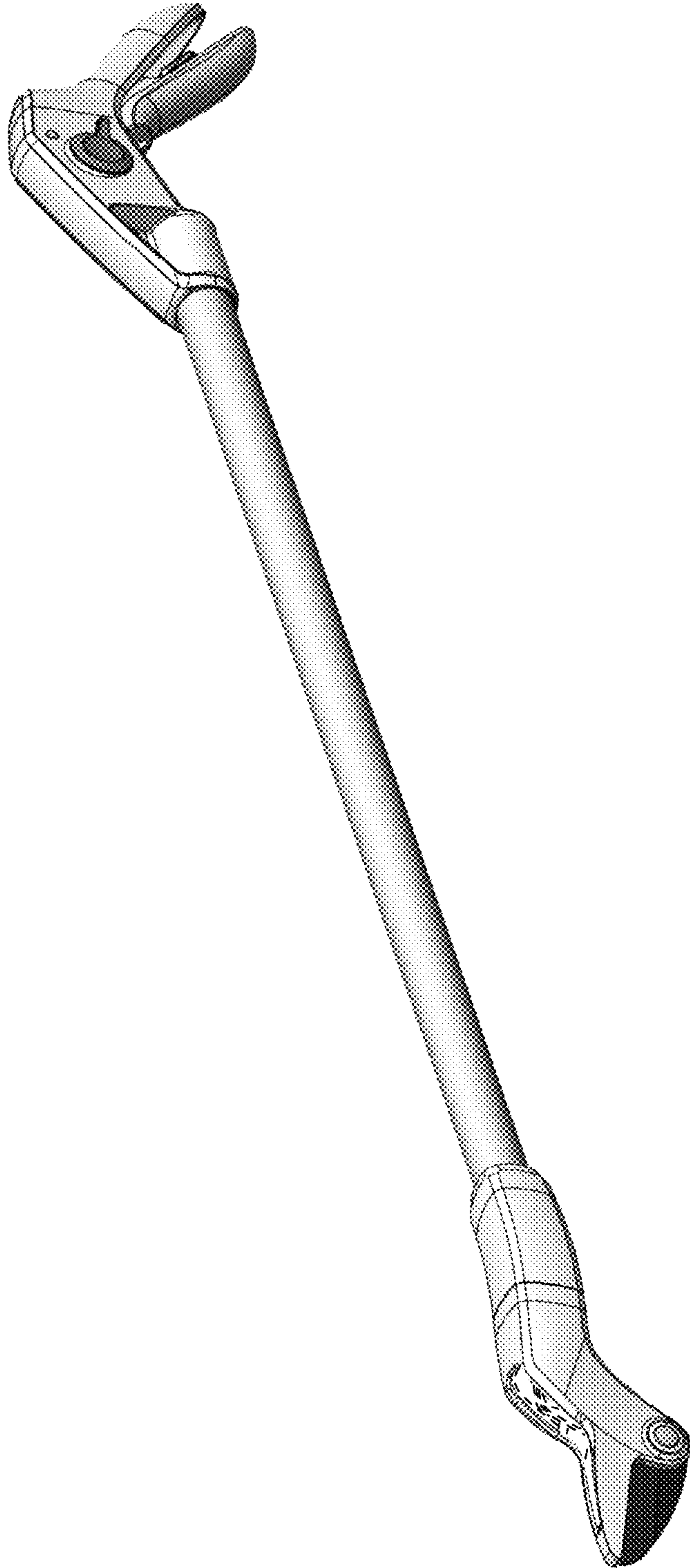


FIG. 1

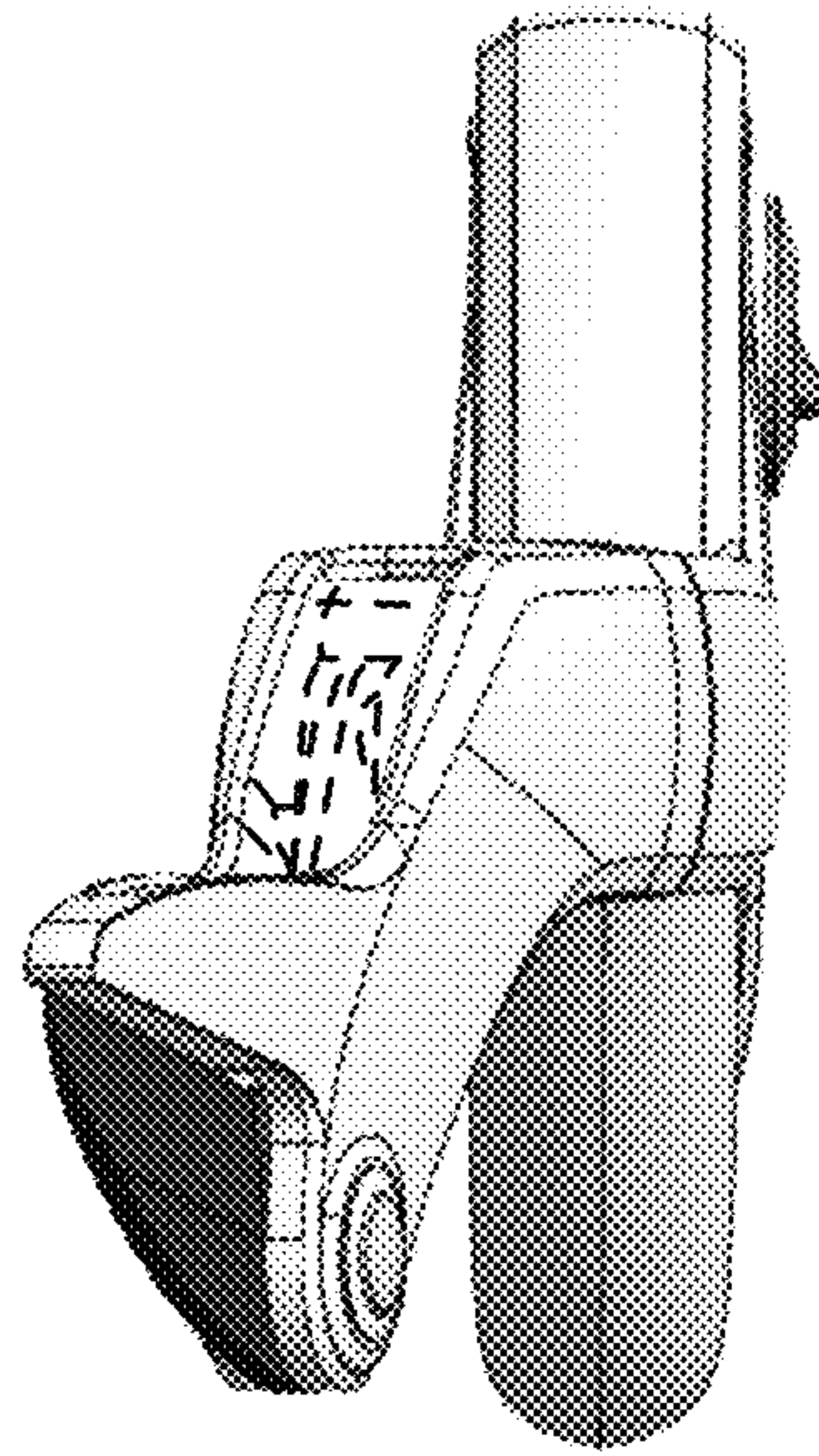


FIG. 2

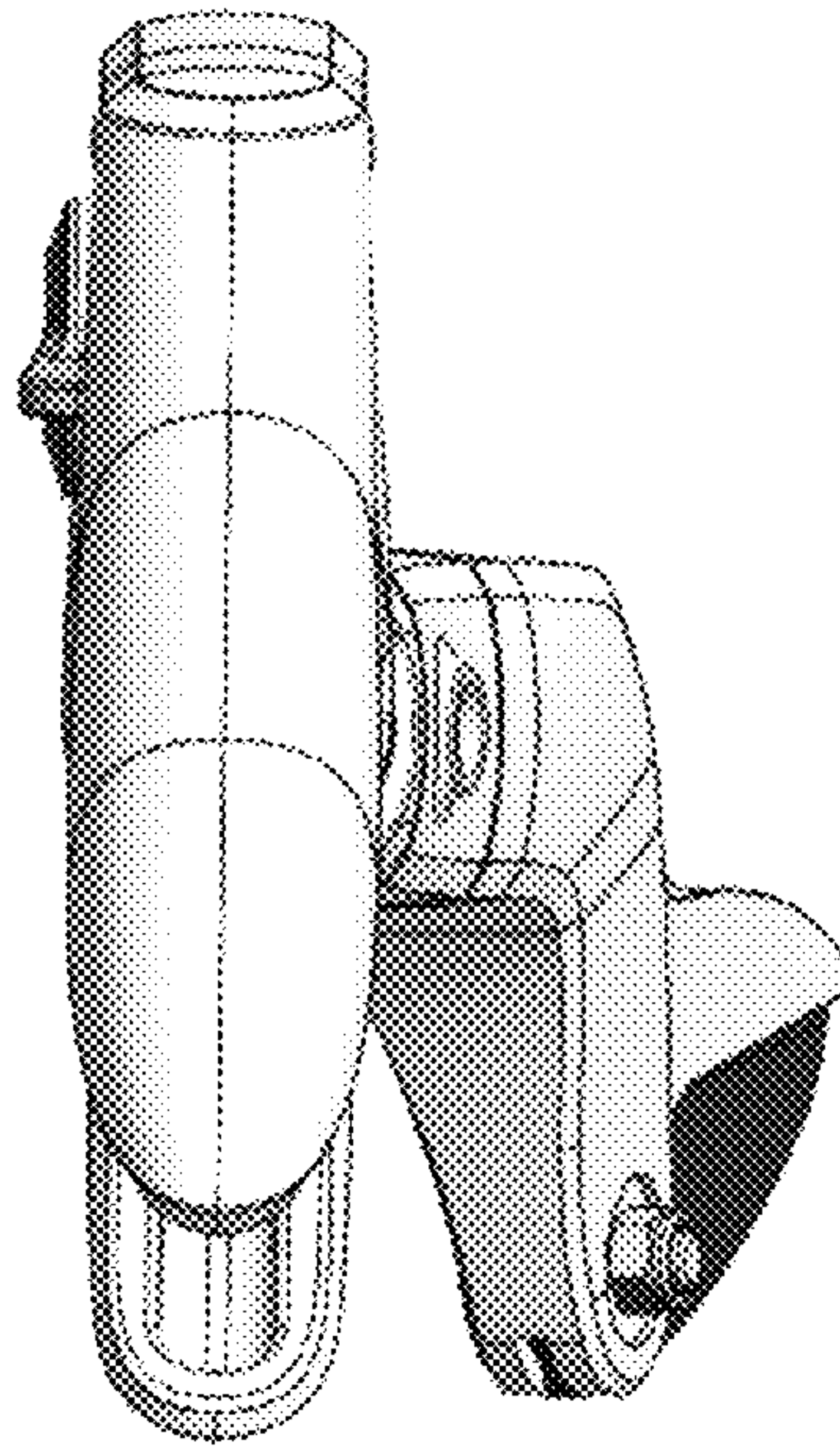


FIG. 3

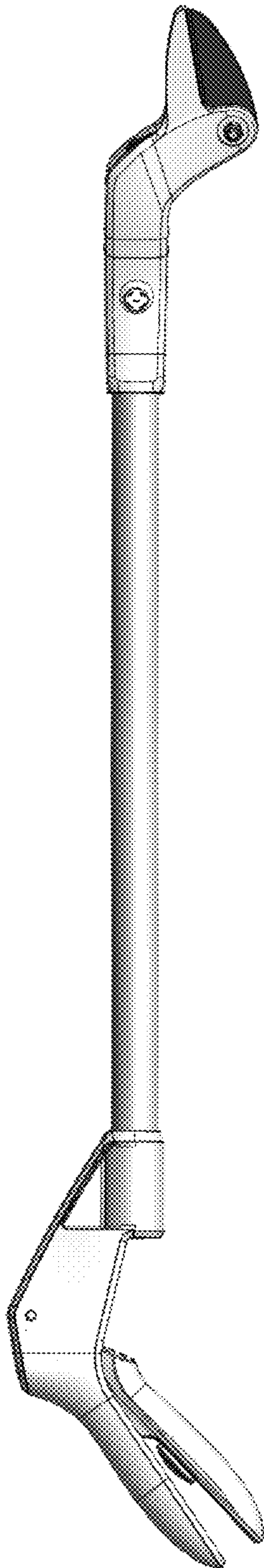


FIG. 4

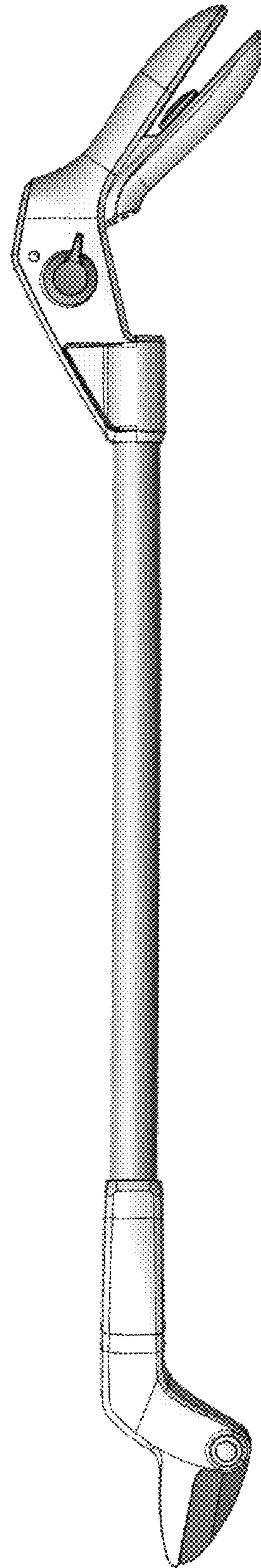


FIG. 5

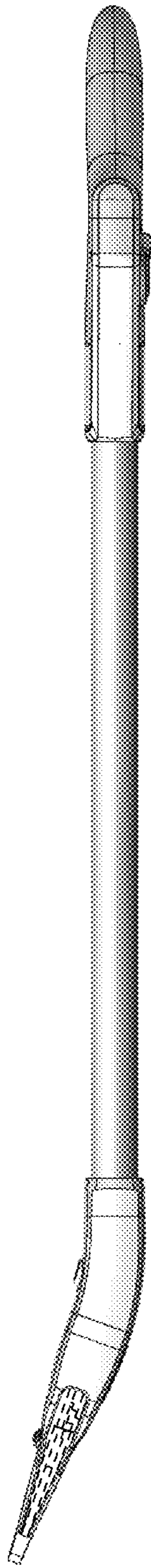


FIG. 6

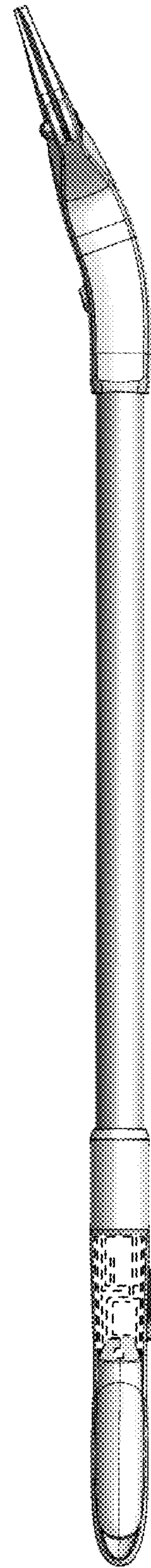


FIG. 7

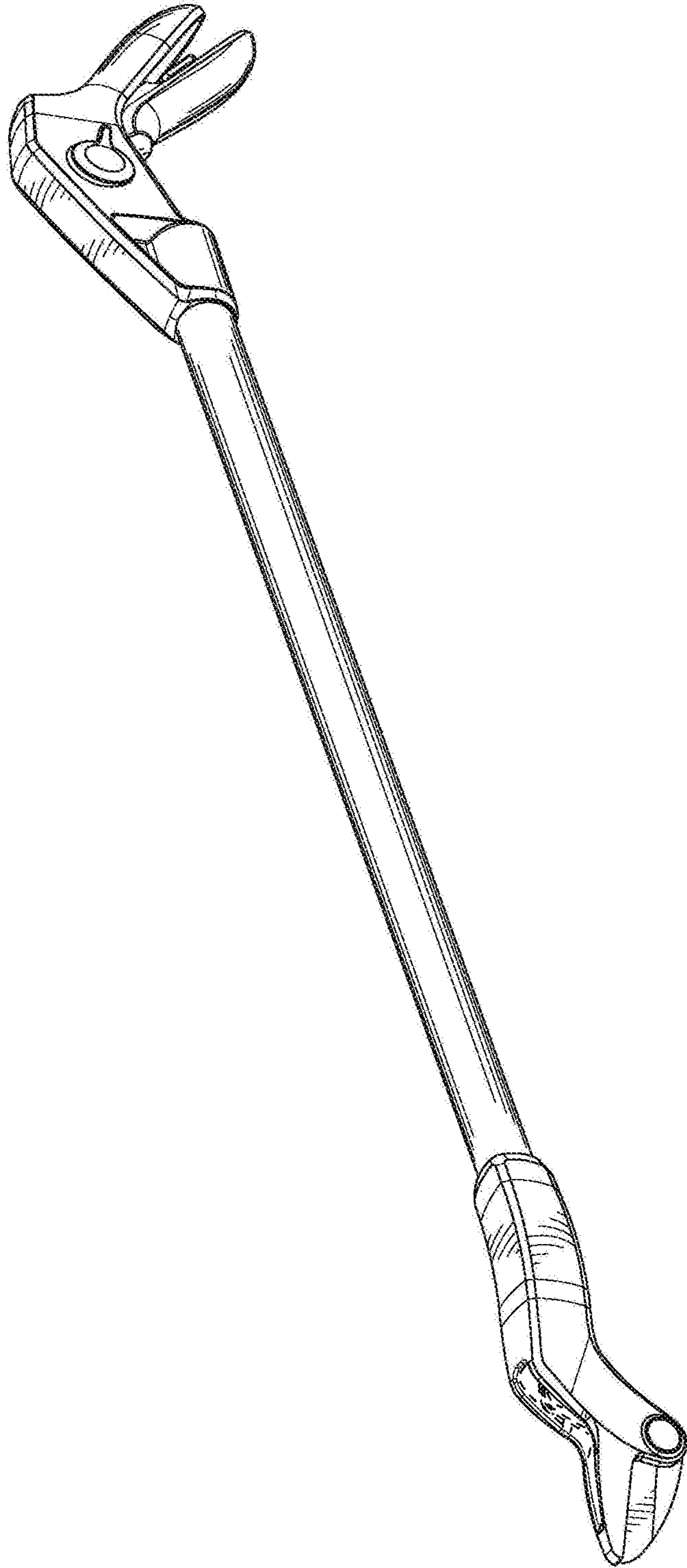


FIG. 8

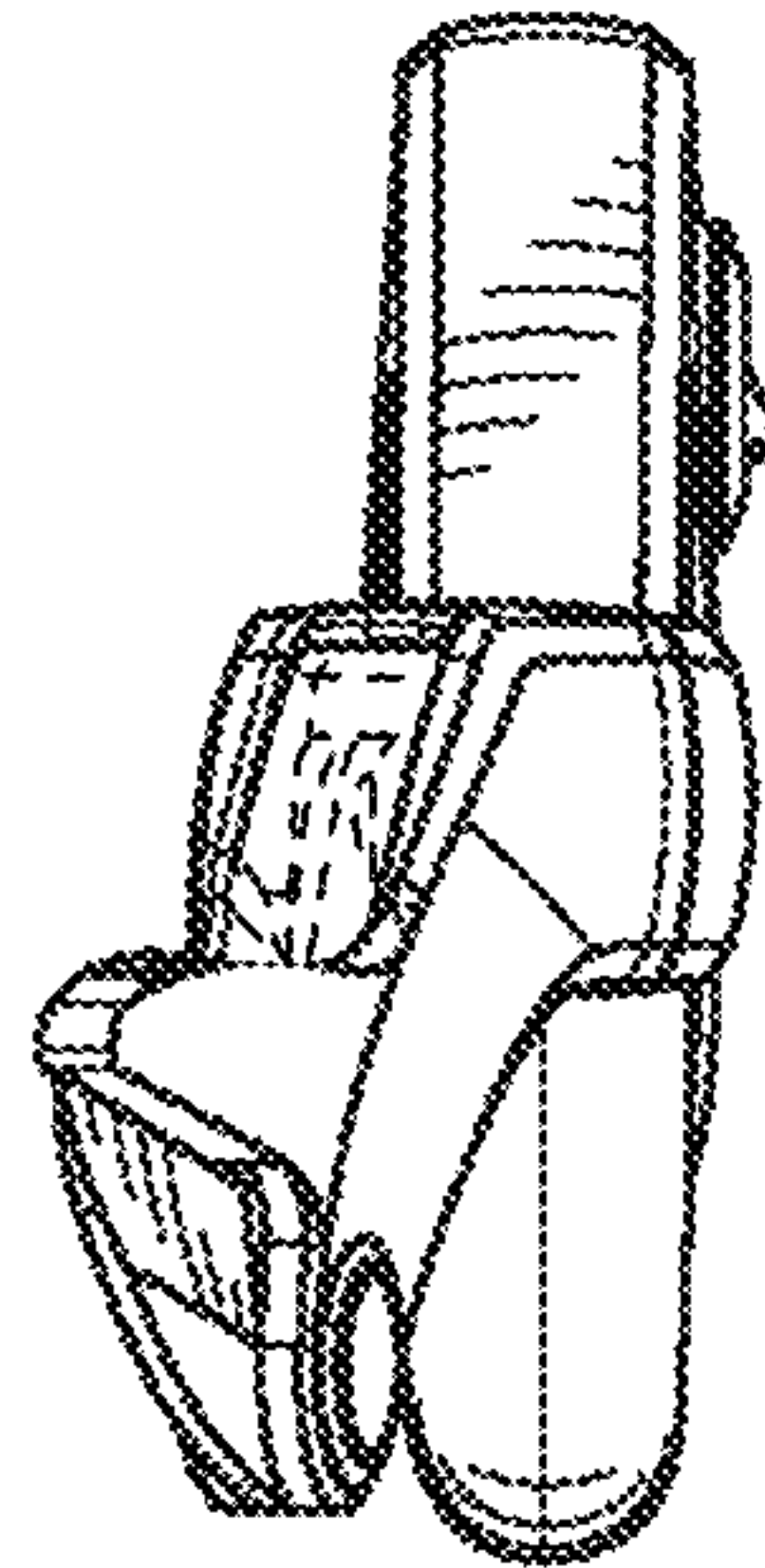


FIG. 9

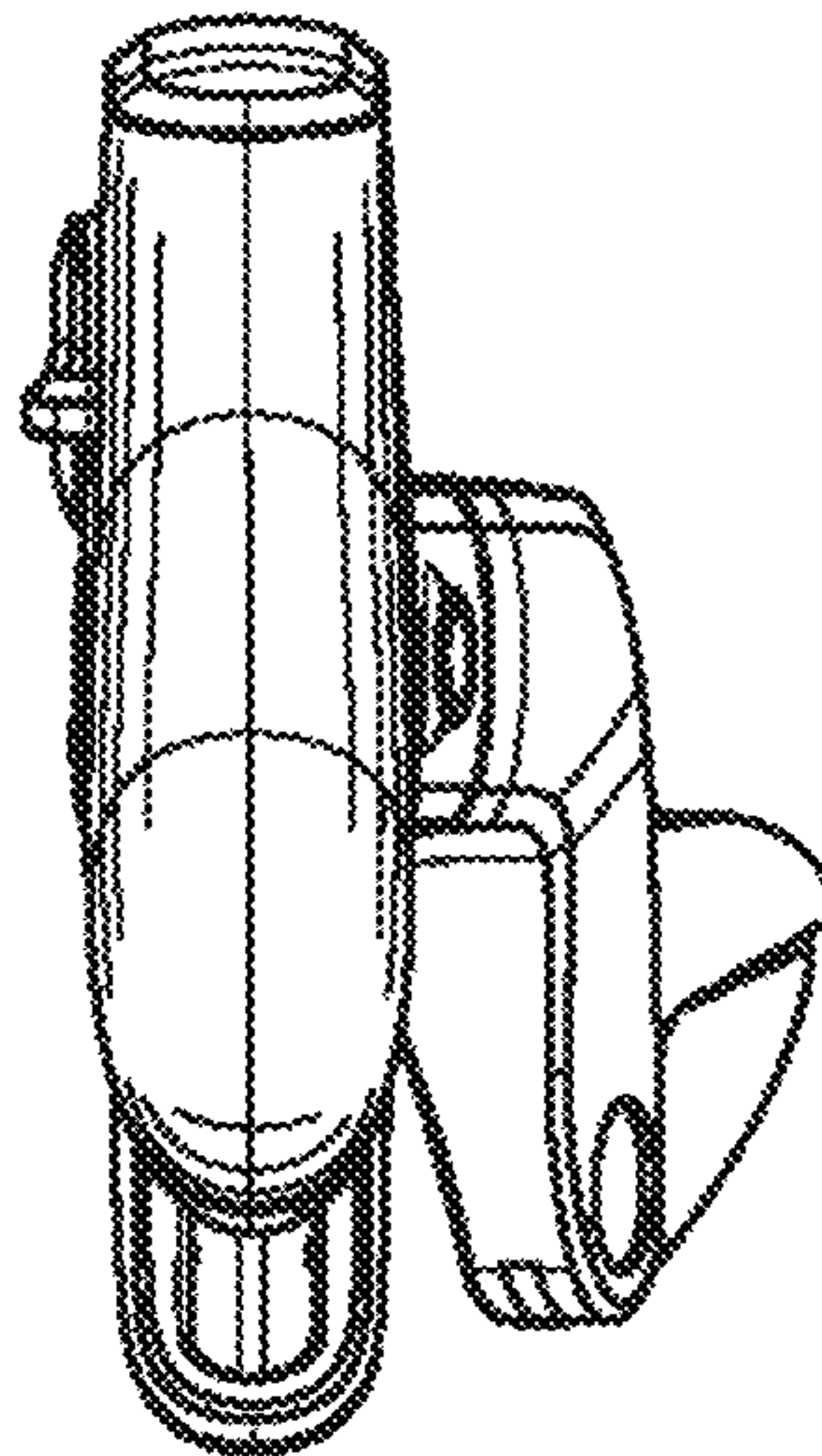


FIG. 10

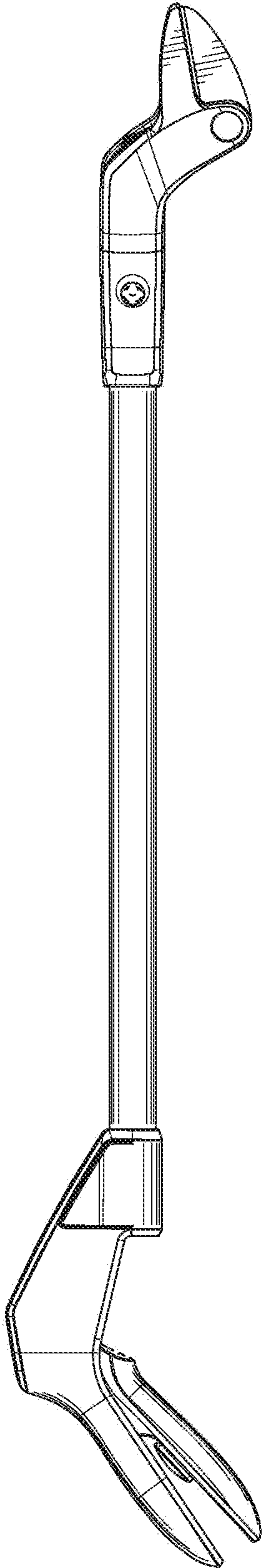


FIG. 11

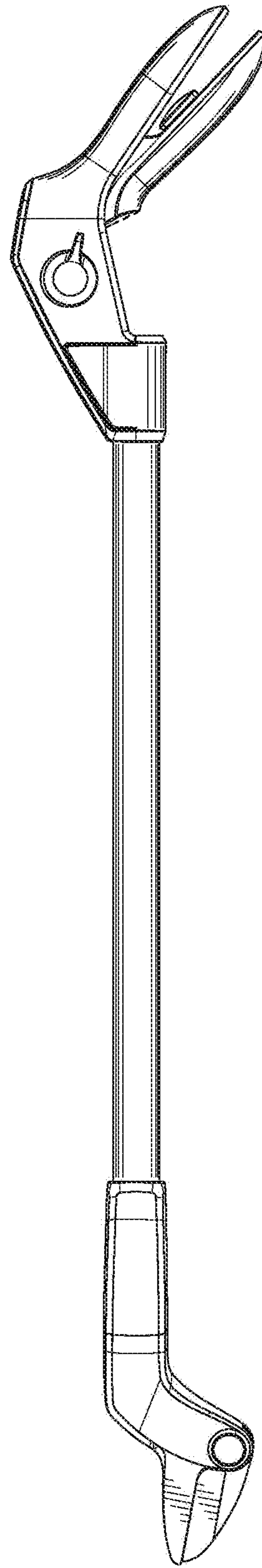


FIG. 12

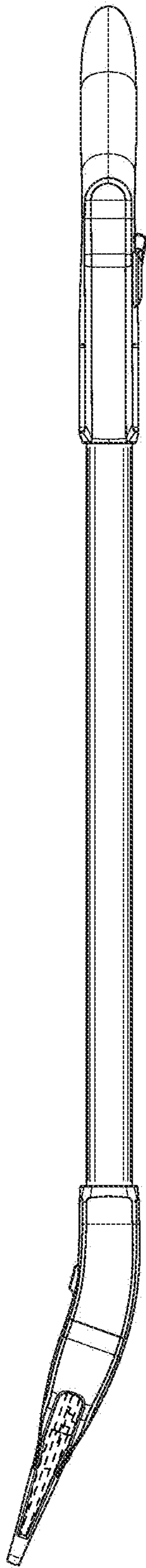


FIG. 13

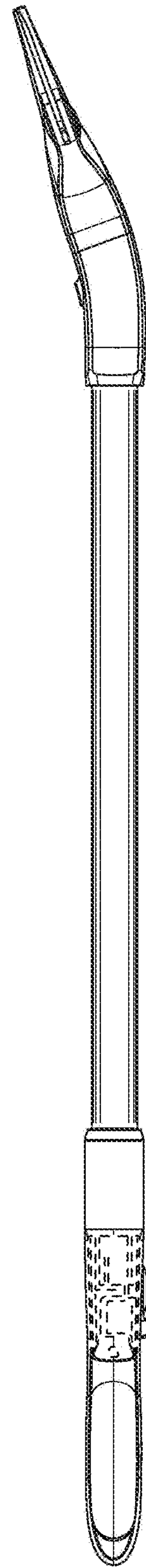


FIG. 14