



US00D883047S

(12) **United States Design Patent**
Kou

(10) **Patent No.:** **US D883,047 S**

(45) **Date of Patent:** **** May 5, 2020**

(54) **LUNCH BAG**

(71) Applicant: **HuaBing Kou**, Dengzhou (CN)

(72) Inventor: **HuaBing Kou**, Dengzhou (CN)

(**) Term: **15 Years**

(21) Appl. No.: **29/716,984**

(22) Filed: **Dec. 13, 2019**

(51) **LOC (12) Cl.** **07-01**

(52) **U.S. Cl.**

USPC **D7/709**; D3/232; D7/607

(58) **Field of Classification Search**

USPC D7/603–608, 709, 710, 629; D3/283,
D3/285, 287, 289, 232, 233, 245, 267,
D3/268, 273, 276, 315, 318, 301

CPC F25D 2331/804; F25D 2331/801; F25D
3/08; B65D 30/08; B65D 30/22; B65D
81/3858; B65D 81/3828; B65D 81/3888;
B65D 81/18; B65D 81/3897; B65D
31/04; B65D 53/00; B65D 69/00; B65D
8/18; A45C 11/20; A45C 13/02; A45C
1/00; A45C 2003/007; A45C 2007/004;
A45C 3/08; A45C 3/10; A45C 5/00;
A45C 5/03; A45C 7/00; A45C 9/00;
A45C 13/008; A45F 3/02; A45F 3/12;
A45F 3/14; A45F 3/04; A45F 4/02

See application file for complete search history.

(56) **References Cited**

U.S. PATENT DOCUMENTS

D390,700 S 2/1998 Miller
D404,620 S * 1/1999 Rausch D7/607

D626,798 S * 11/2010 Swartz D3/246
D632,480 S * 2/2011 LaCorte D3/232
D682,635 S * 5/2013 Boroski D7/709
D697,306 S * 1/2014 Romero D3/232
D724,836 S * 3/2015 Thai D3/232
D756,634 S 5/2016 Bonstrom
D780,524 S 3/2017 Jacobsen
D821,094 S * 6/2018 Dragicevic D3/246

* cited by examiner

Primary Examiner — Terry A Wallace

(74) *Attorney, Agent, or Firm* — ScienBiziP, P.C.

(57) **CLAIM**

The ornamental design for a lunch bag, as shown and described.

DESCRIPTION

FIG. 1 is a front, right perspective view of a lunch bag, showing my design.

FIG. 2 is a front elevation view thereof.

FIG. 3 is a rear elevation view thereof.

FIG. 4 is a left side elevation view thereof.

FIG. 5 is a right side elevation view thereof.

FIG. 6 is a top plan view thereof.

FIG. 7 is a bottom plan view thereof; and,

FIG. 8 is an enlarged view of a circle labeled 8 in FIG. 1 of the lunch bag.

The details shown in broken lines form no part of the claimed design.

1 Claim, 8 Drawing Sheets

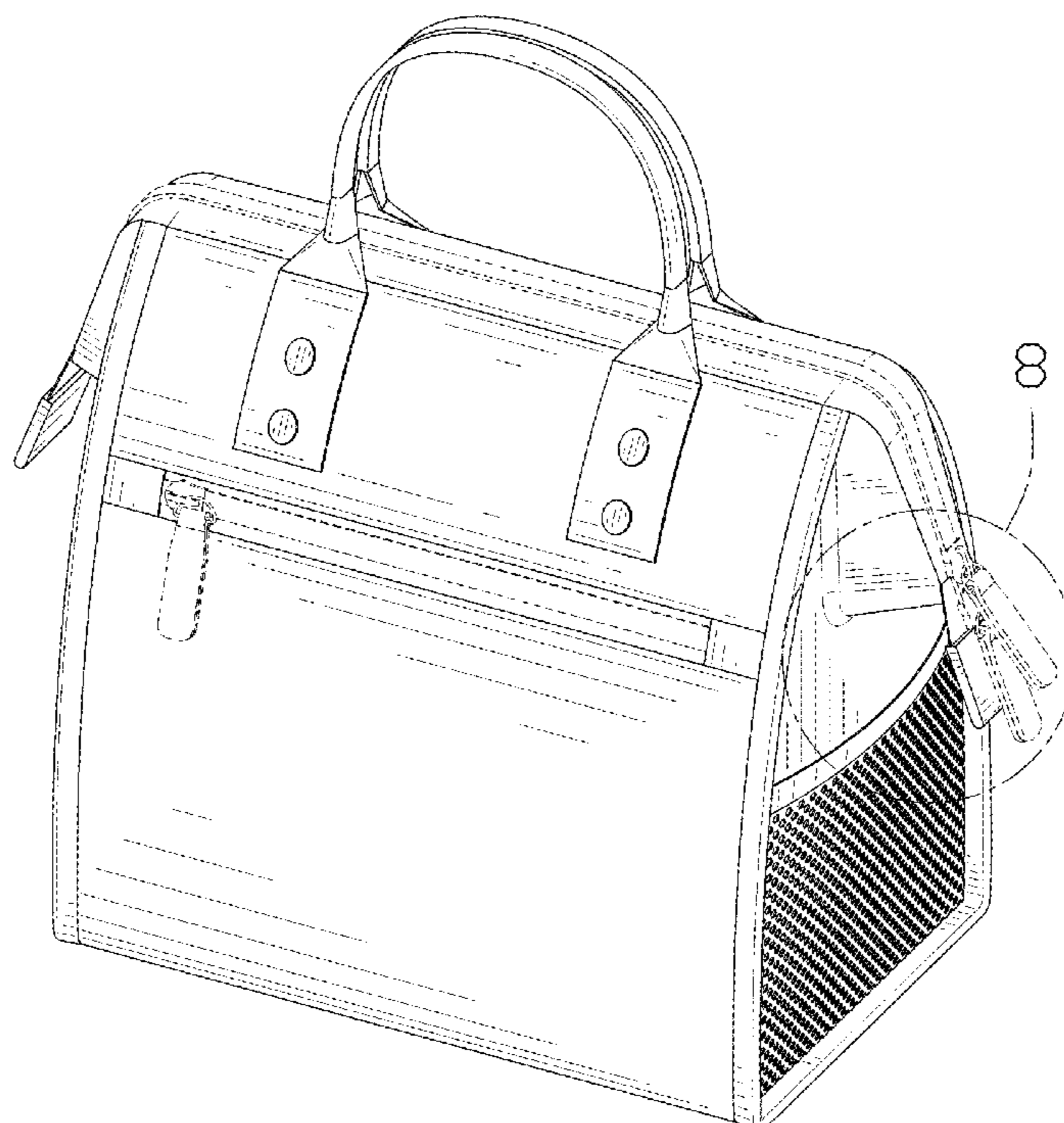




FIG. 1

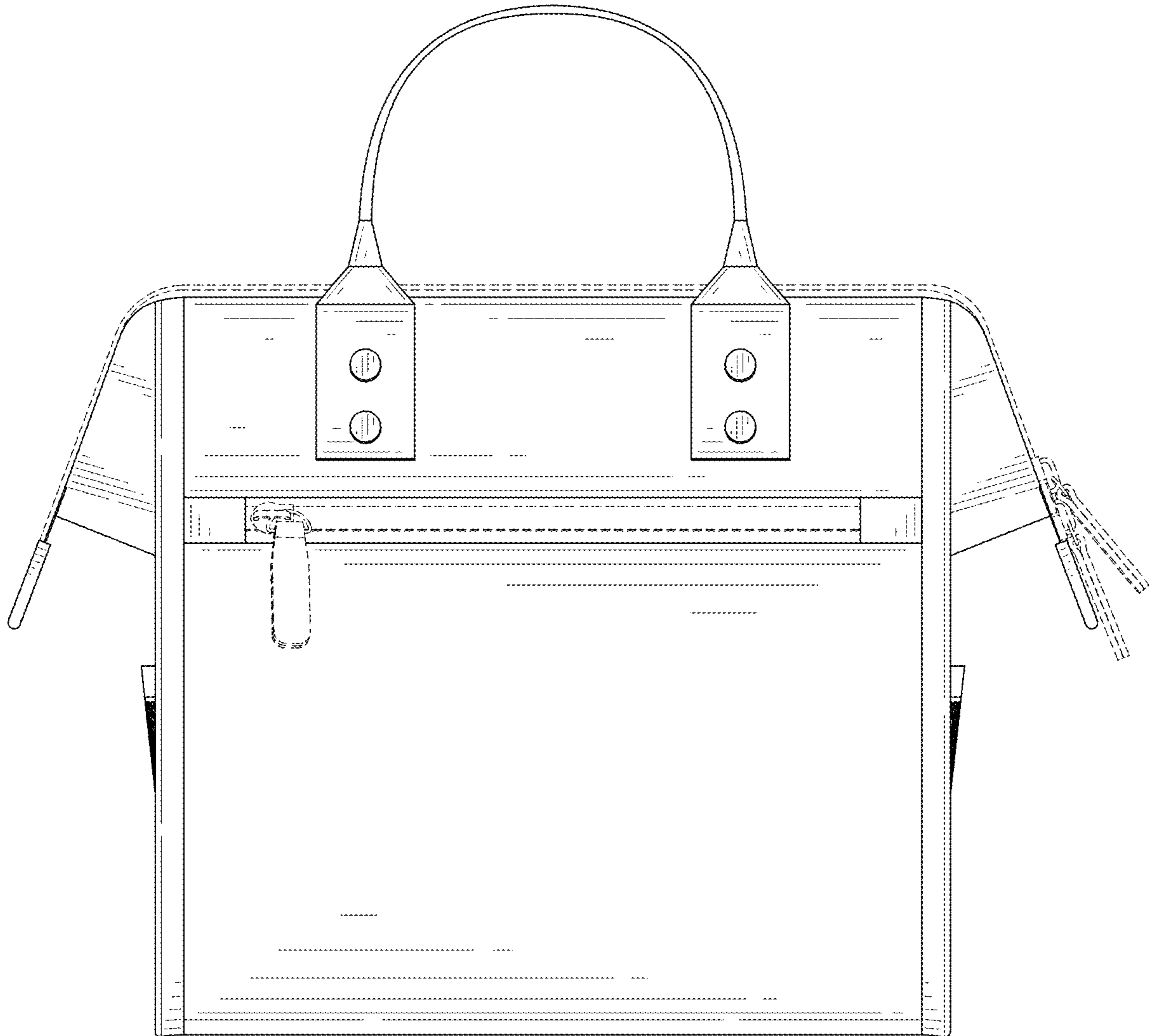


FIG. 2

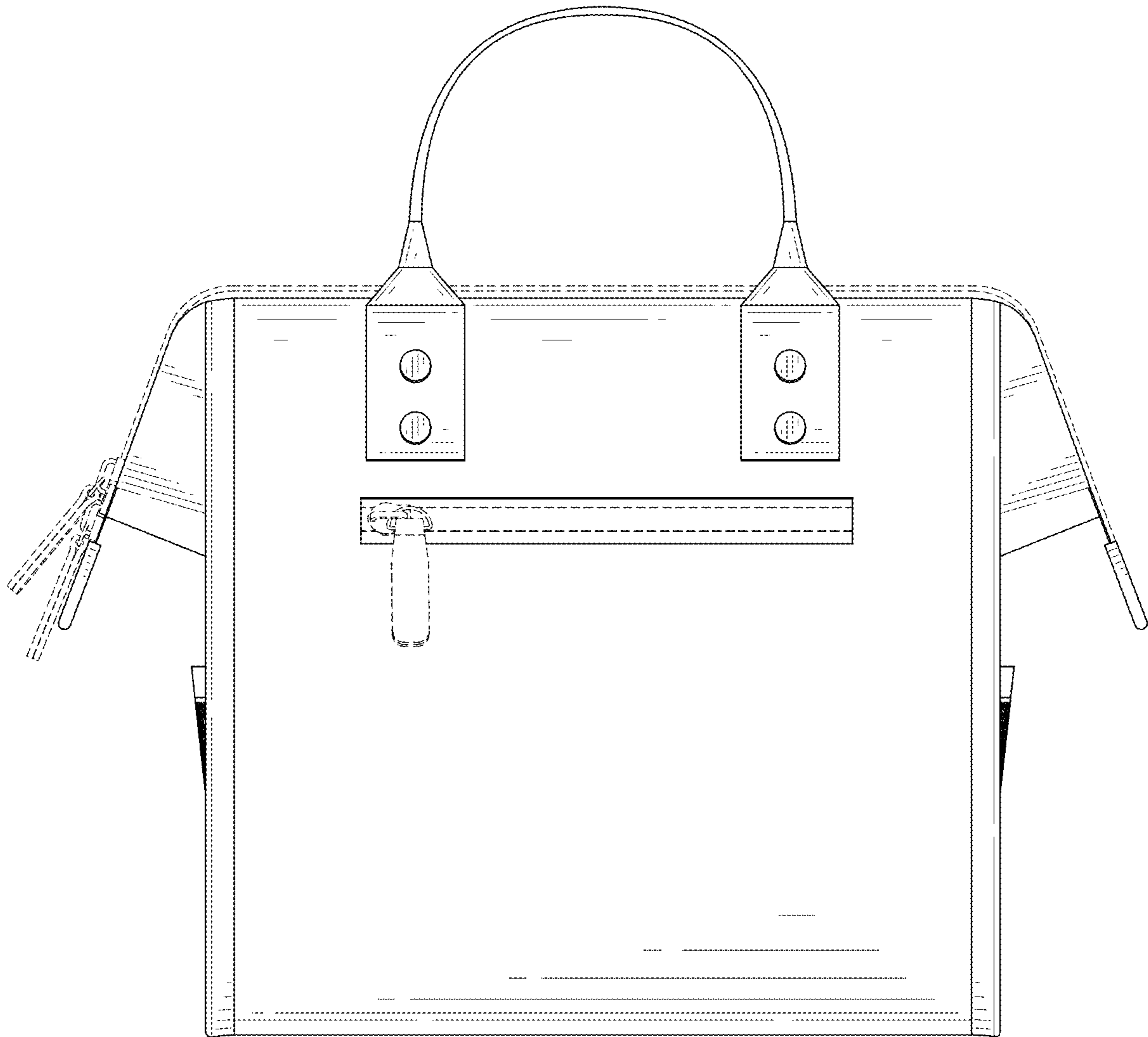


FIG. 3

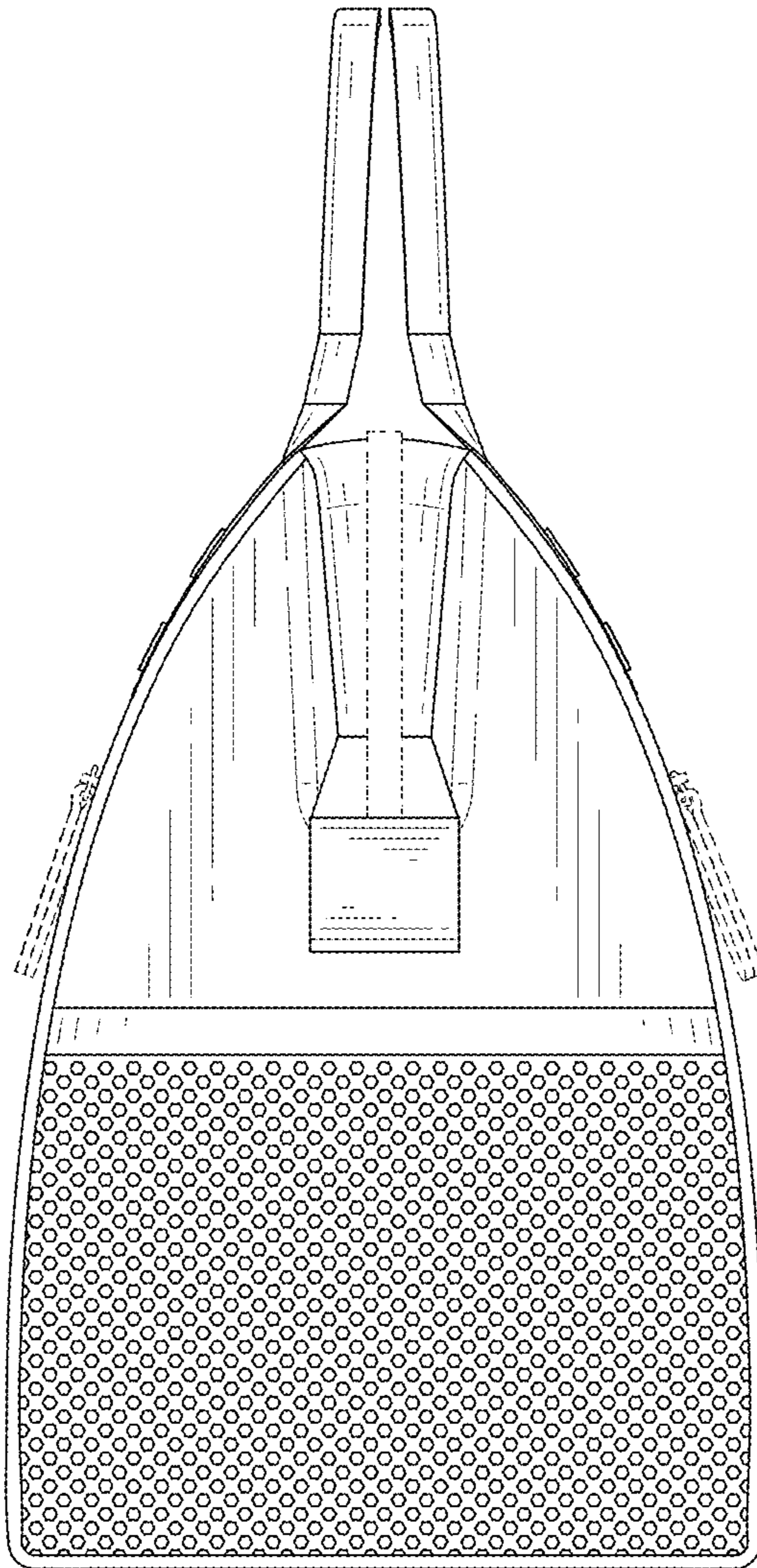


FIG. 4

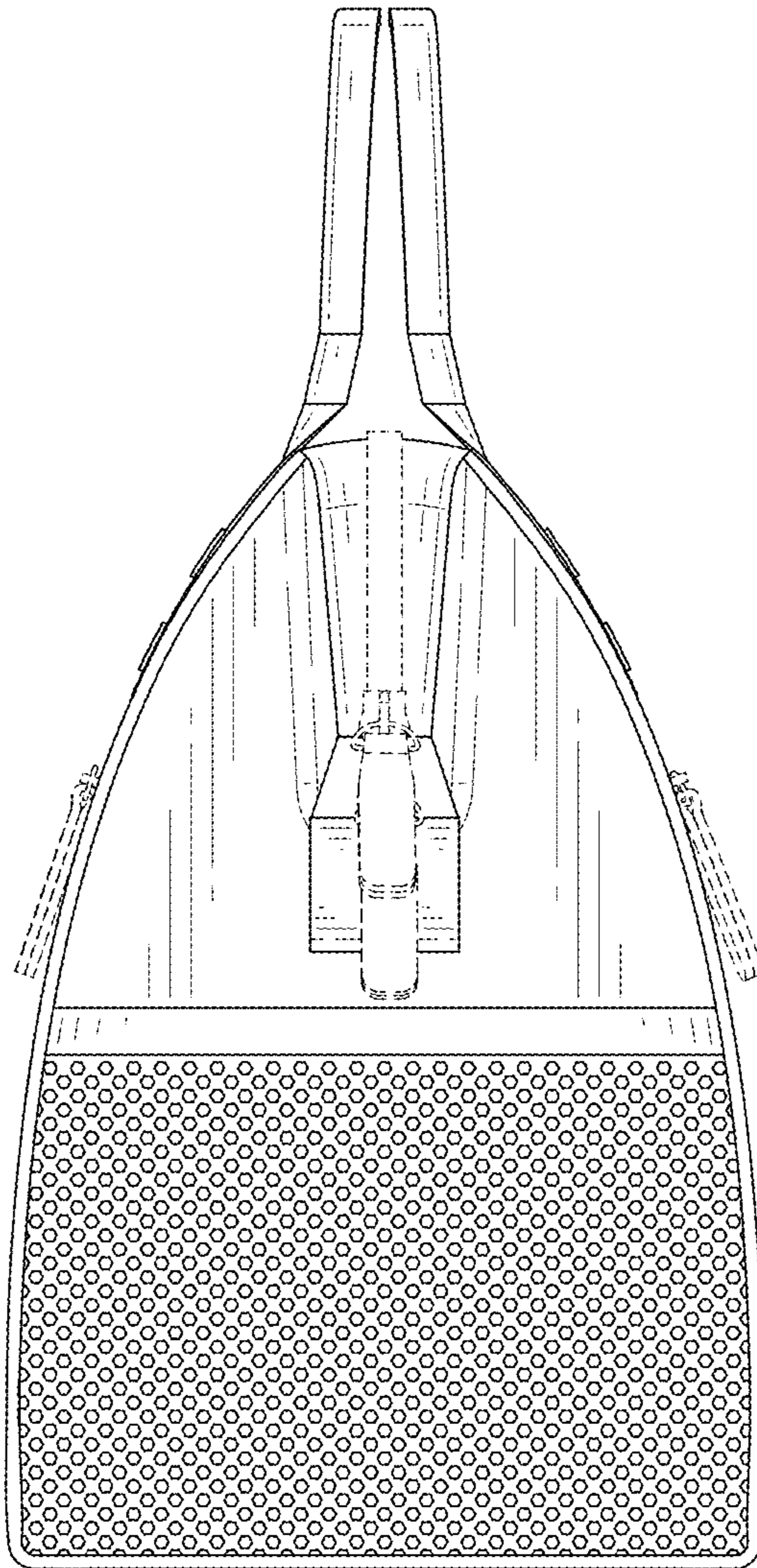


FIG. 5

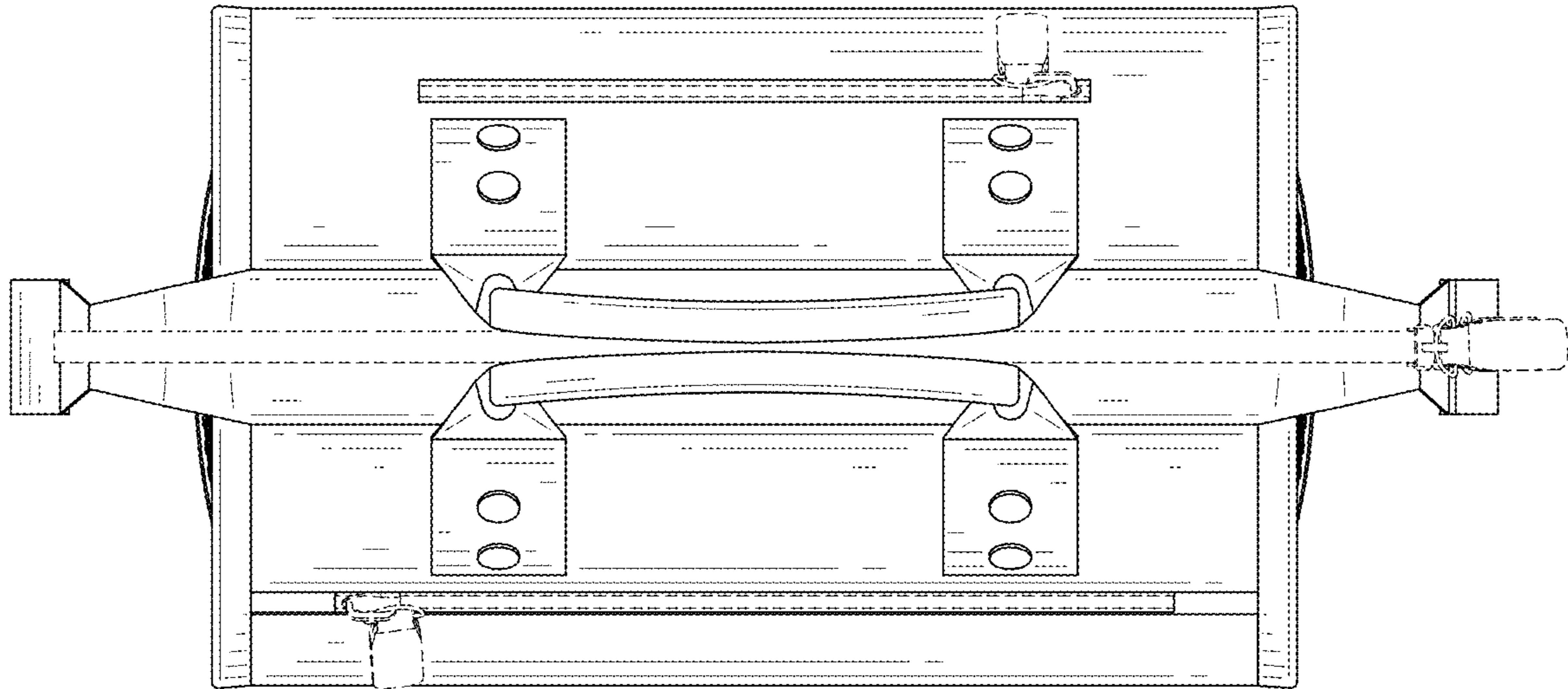


FIG. 6

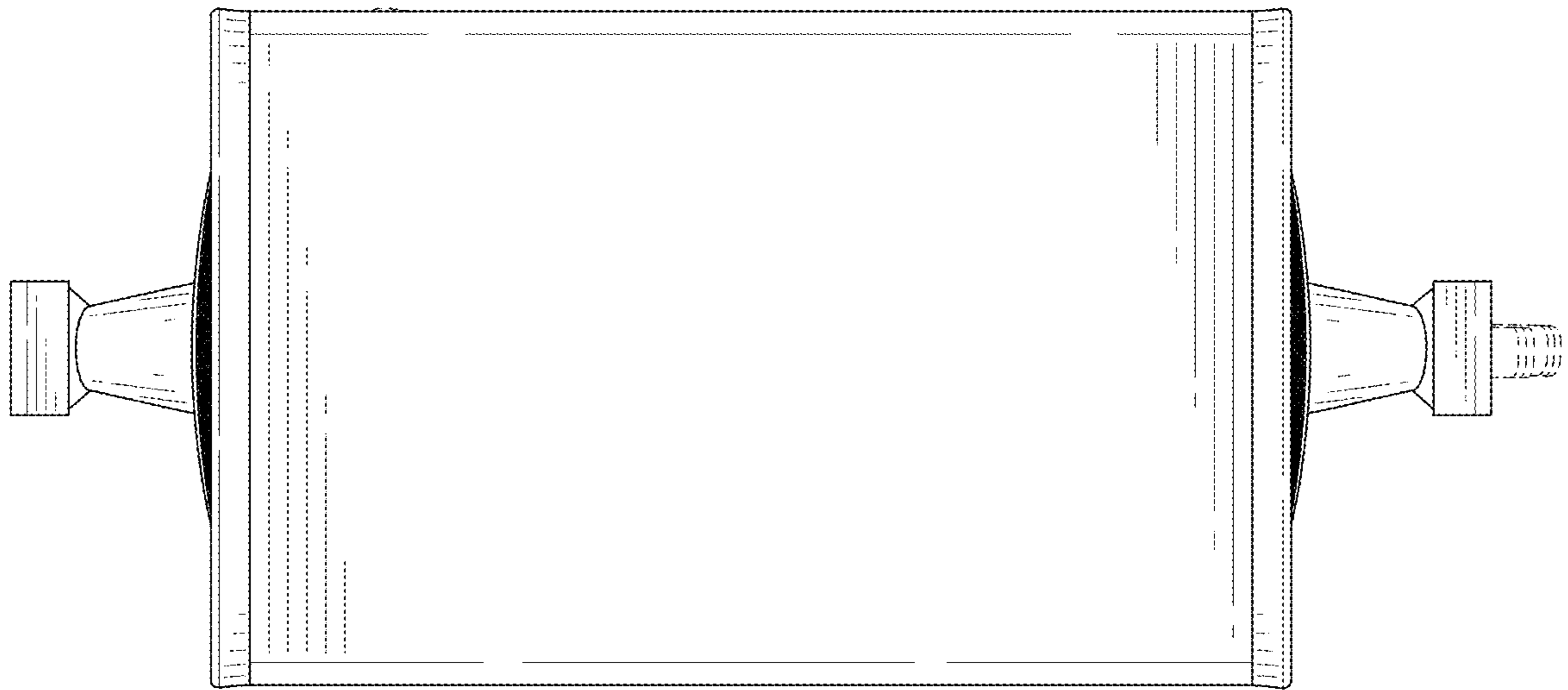


FIG. 7

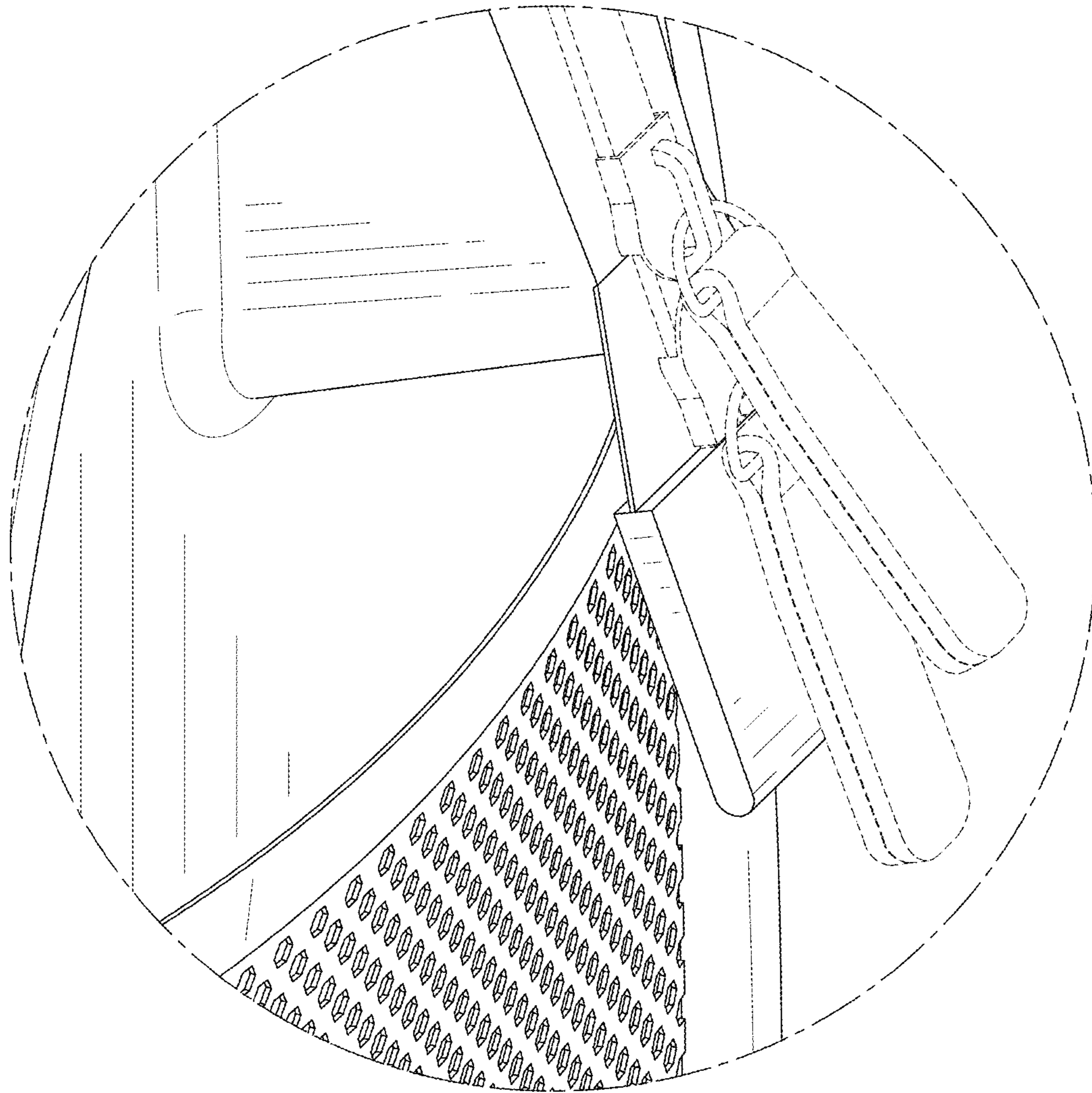


FIG. 8