



US00D883045S

(12) **United States Design Patent**
Fudge

(10) **Patent No.:** **US D883,045 S**

(45) **Date of Patent:** **** May 5, 2020**

(54) **FUNNEL**

(71) Applicant: **TEMBO CLIMBING COMPANY INC., Guelph (CA)**

(72) Inventor: **Matthew Thomas Joshua Fudge, Guelph (CA)**

(73) Assignee: **TEMBO CLIMBING COMPANY INC., Guelph (CA)**

(**) Term: **15 Years**

(21) Appl. No.: **29/691,683**

(22) Filed: **May 17, 2019**

(51) **LOC (12) Cl.** **07-99**

(52) **U.S. Cl.**
USPC **D7/700**

(58) **Field of Classification Search**
USPC D7/300.2, 635, 667, 669, 665, 670, 700
CPC A23P 20/15
See application file for complete search history.

(56) **References Cited**

U.S. PATENT DOCUMENTS

- 1,396,606 A * 11/1921 Vincent B67C 11/02
141/326
- 1,668,825 A * 5/1928 Sobek B65D 88/28
414/586
- 2,811,181 A * 10/1957 Correll B67C 11/02
141/340
- 2,835,392 A * 5/1958 Hamilton B67C 11/02
210/477
- D205,236 S * 7/1966 Fitzwilliam D7/700

- D262,681 S * 1/1982 Dawson D7/667
- D383,043 S * 9/1997 Harris D7/700
- 5,762,120 A * 6/1998 Smith B65B 39/00
141/331
- D539,611 S * 4/2007 Wasserman D7/586
- D576,848 S * 9/2008 Williams D7/700
- D641,255 S * 7/2011 Williams D9/719
- D657,637 S * 4/2012 Gascoine D7/700
- D663,592 S * 7/2012 Bridges D7/396.2
- D772,025 S * 11/2016 Salzl D7/700

* cited by examiner

Primary Examiner — Karen S Acker

Assistant Examiner — Steven B Reinholdt, Jr.

(74) *Attorney, Agent, or Firm* — David J. Schnurr; Miller Thomson LLP

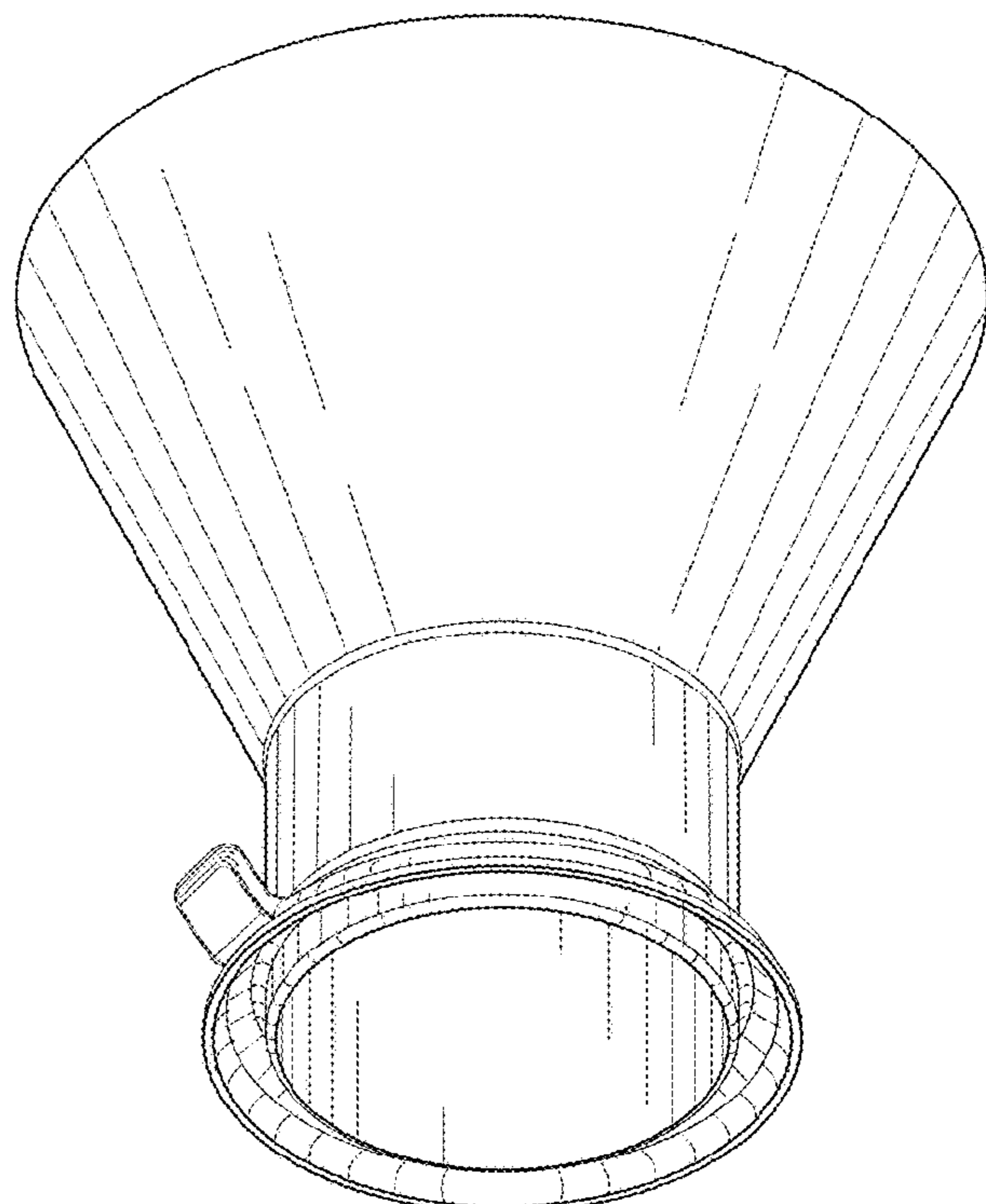
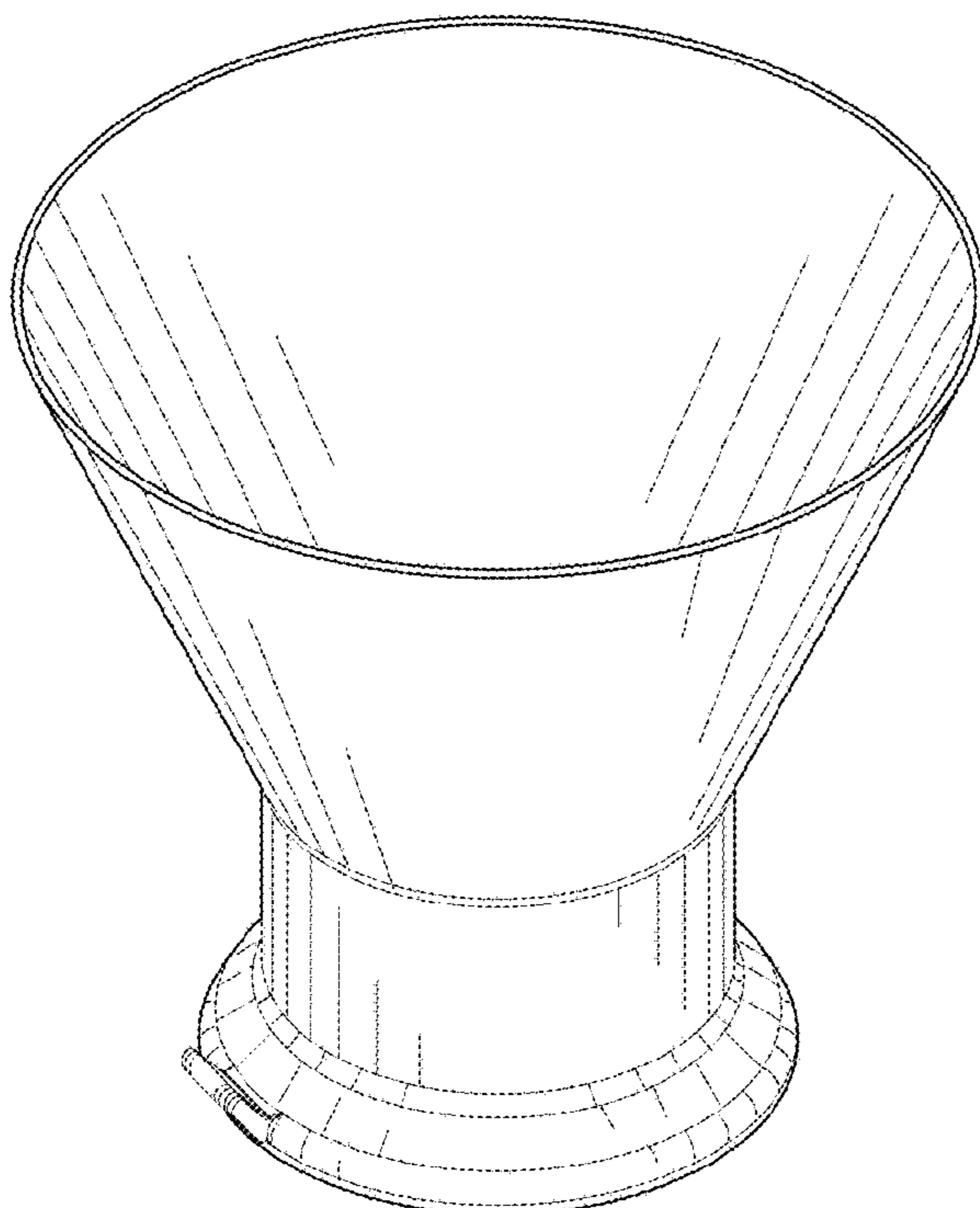
(57) **CLAIM**

The ornamental design for a funnel, as shown and described.

DESCRIPTION

FIG. 1 is a top perspective view of the funnel;
 FIG. 2 is a bottom perspective view thereof;
 FIG. 3 is a front view thereof;
 FIG. 4 is a rear view thereof;
 FIG. 5 is a right side view thereof;
 FIG. 6 is a left side view thereof;
 FIG. 7 is a top view thereof;
 FIG. 8 is a bottom view thereof; and,
 FIG. 9 is a cross-sectional view thereof taken in the direction of line 9-9 of FIG. 4.

1 Claim, 5 Drawing Sheets



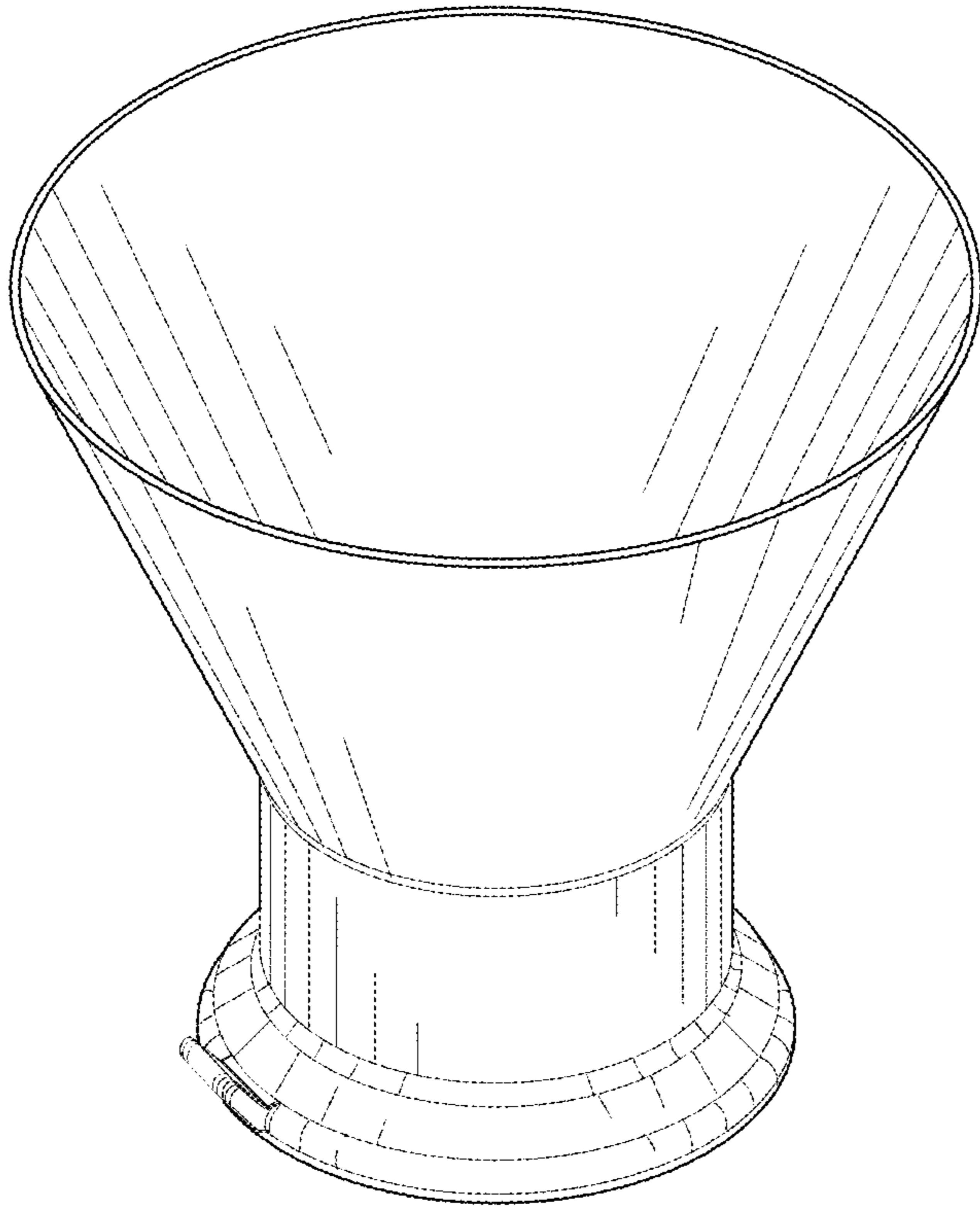


FIG.1

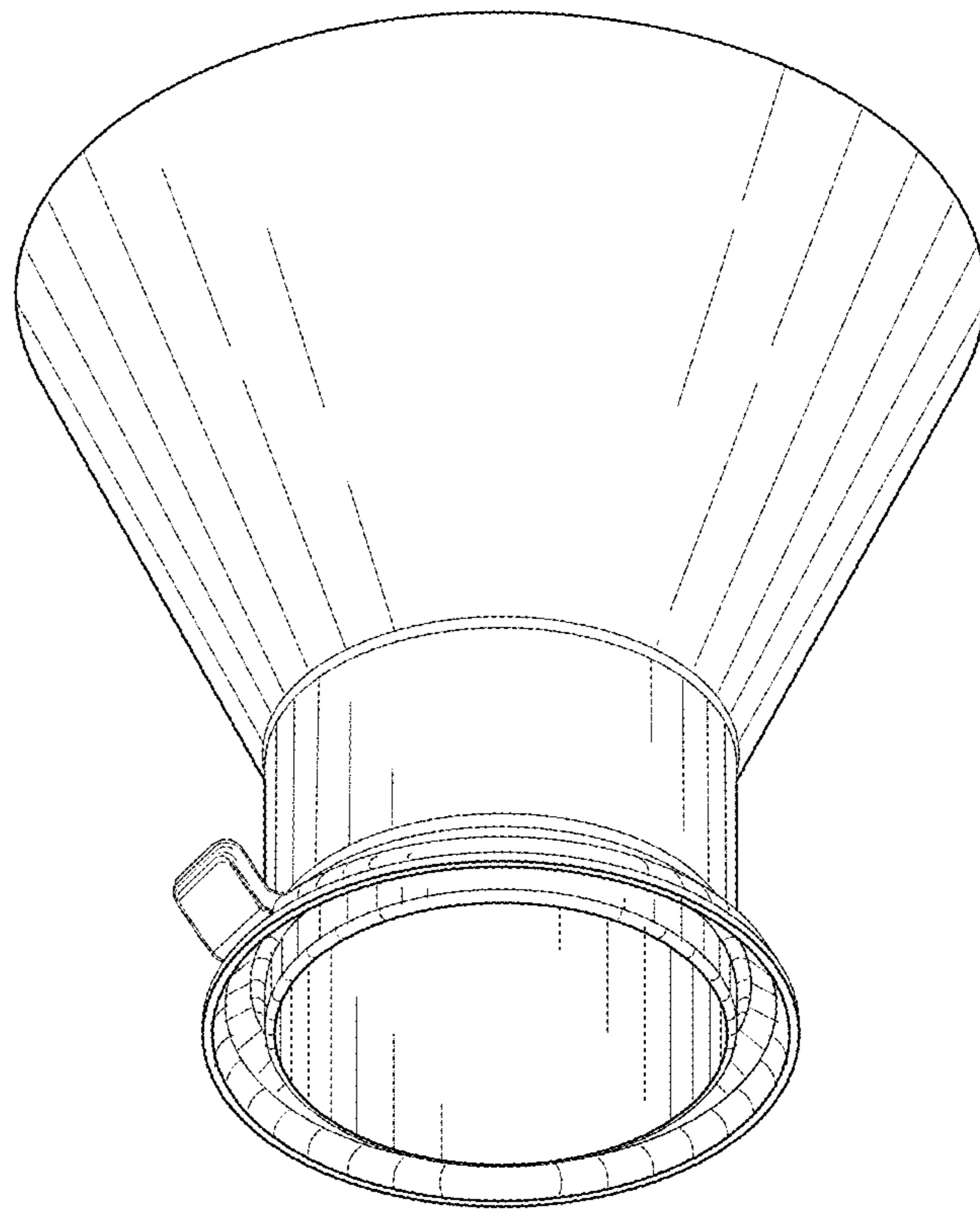


FIG.2

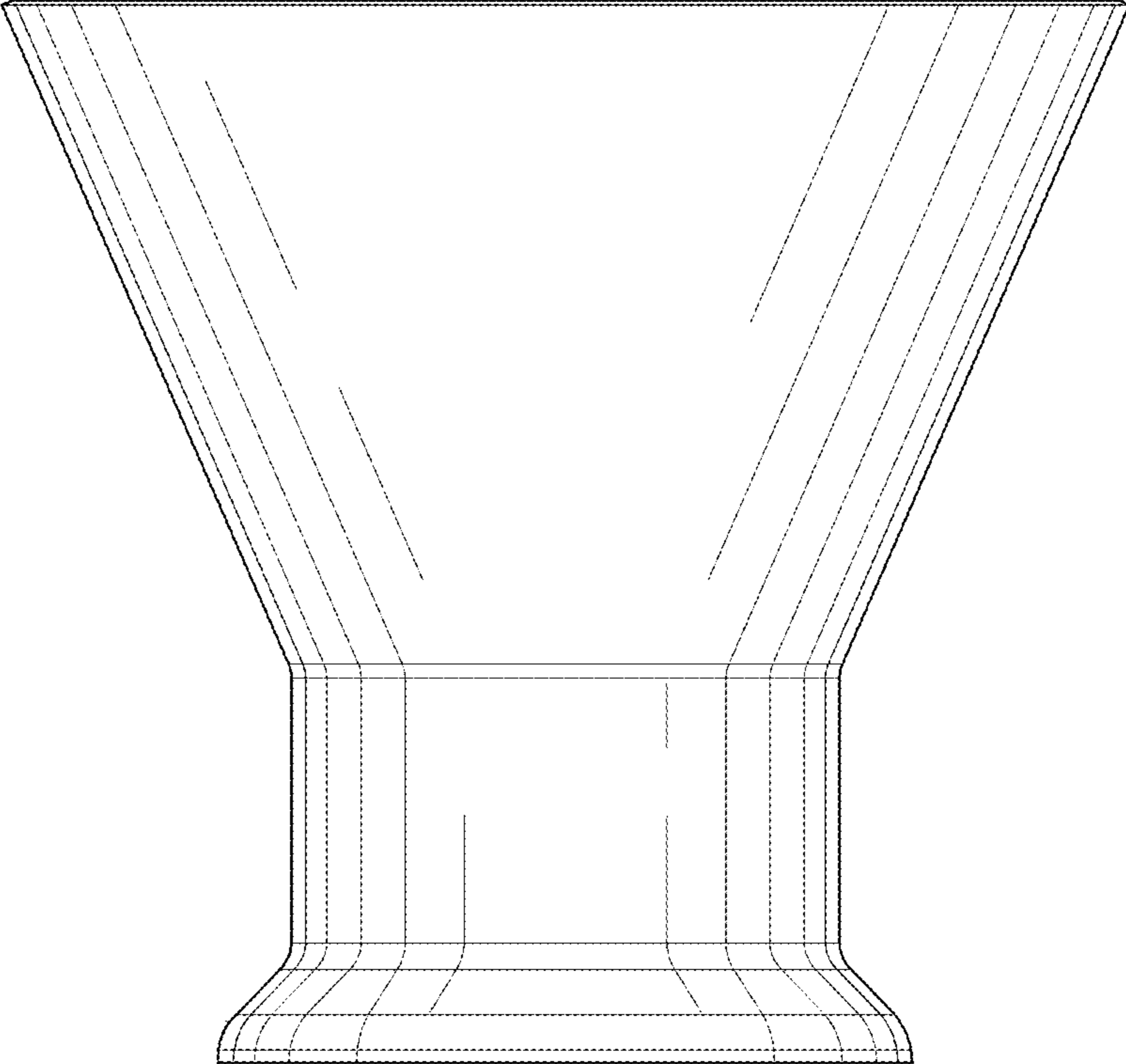
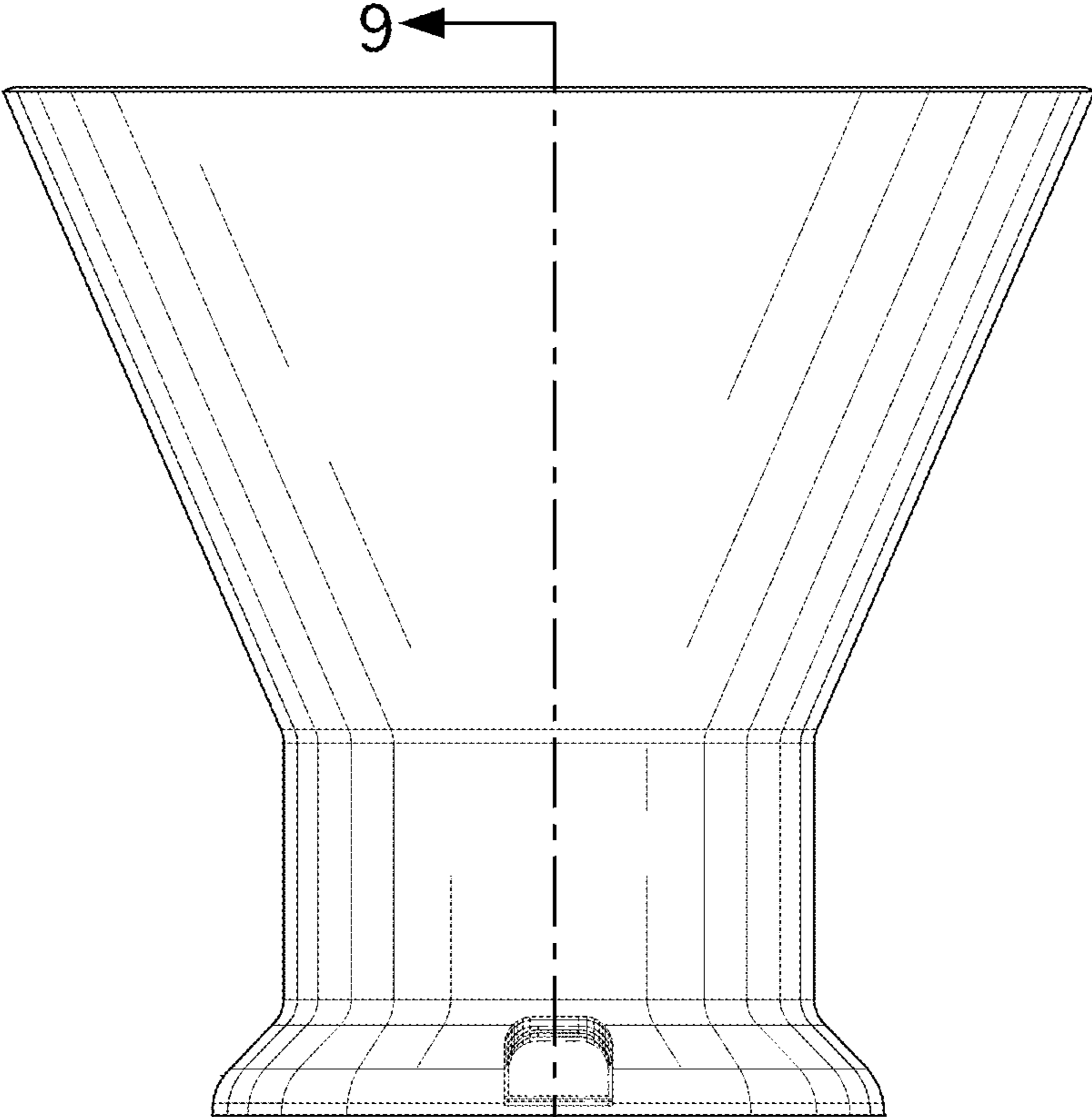


FIG.3



9

FIG.4

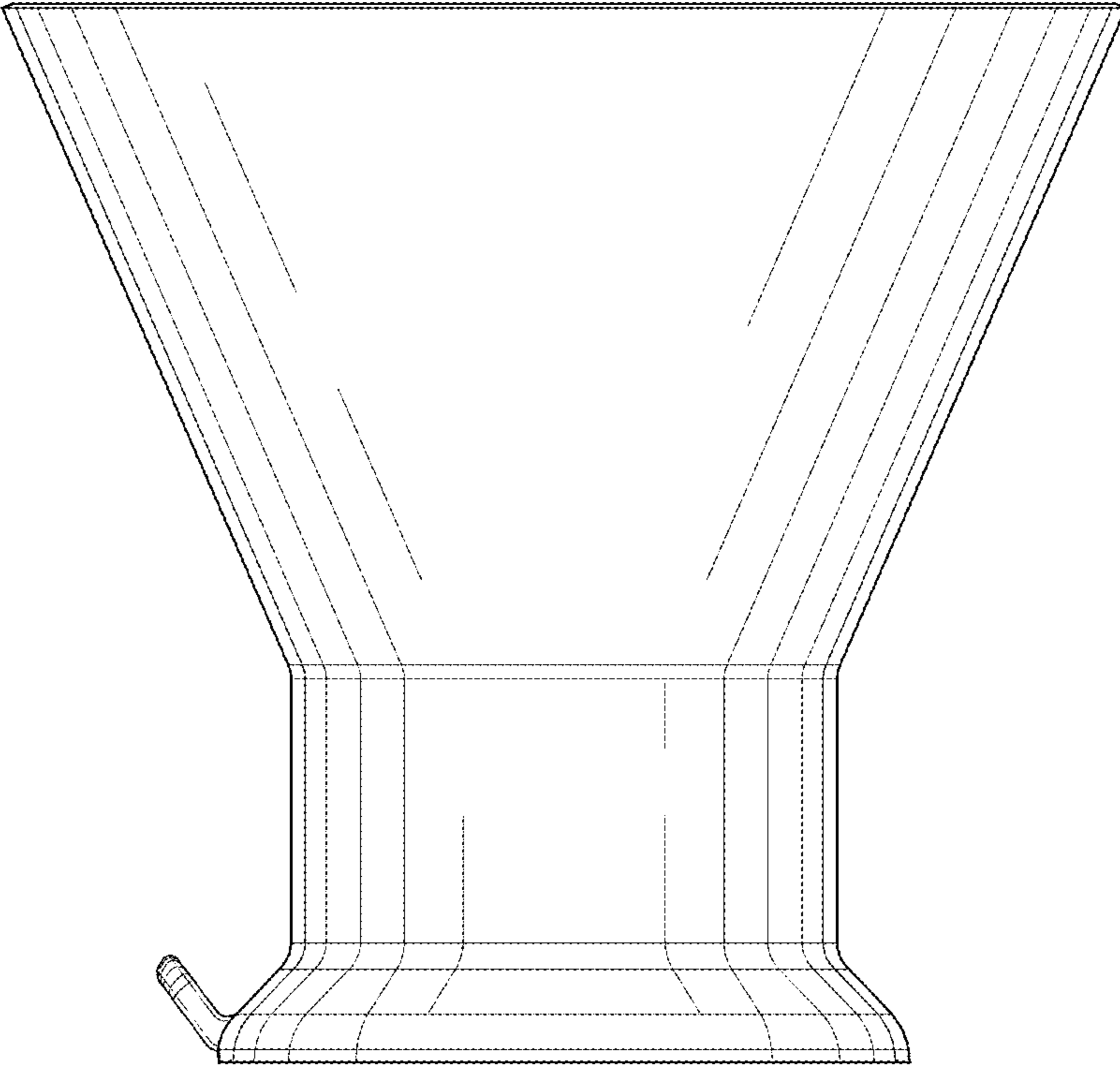


FIG.5

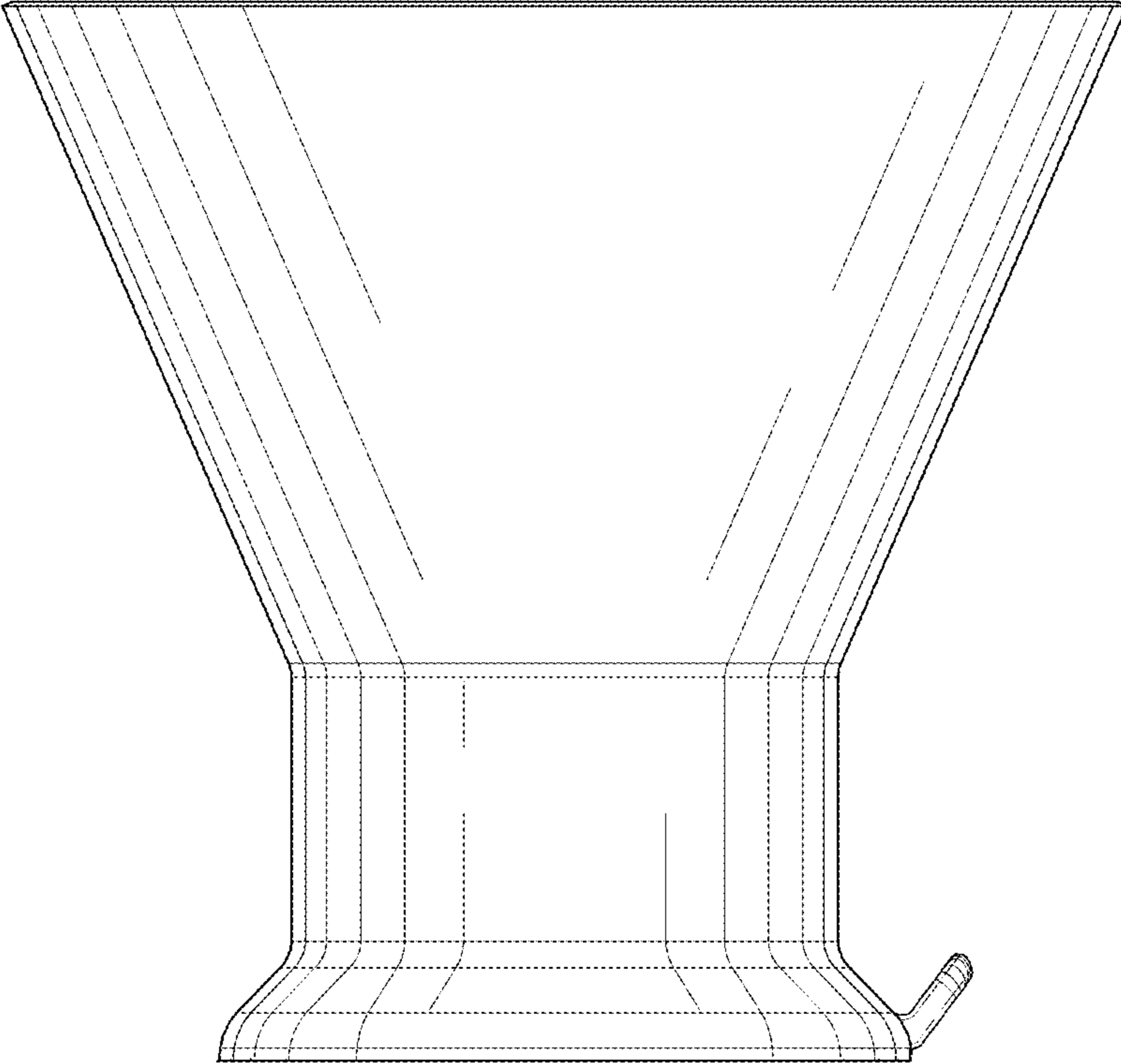


FIG.6

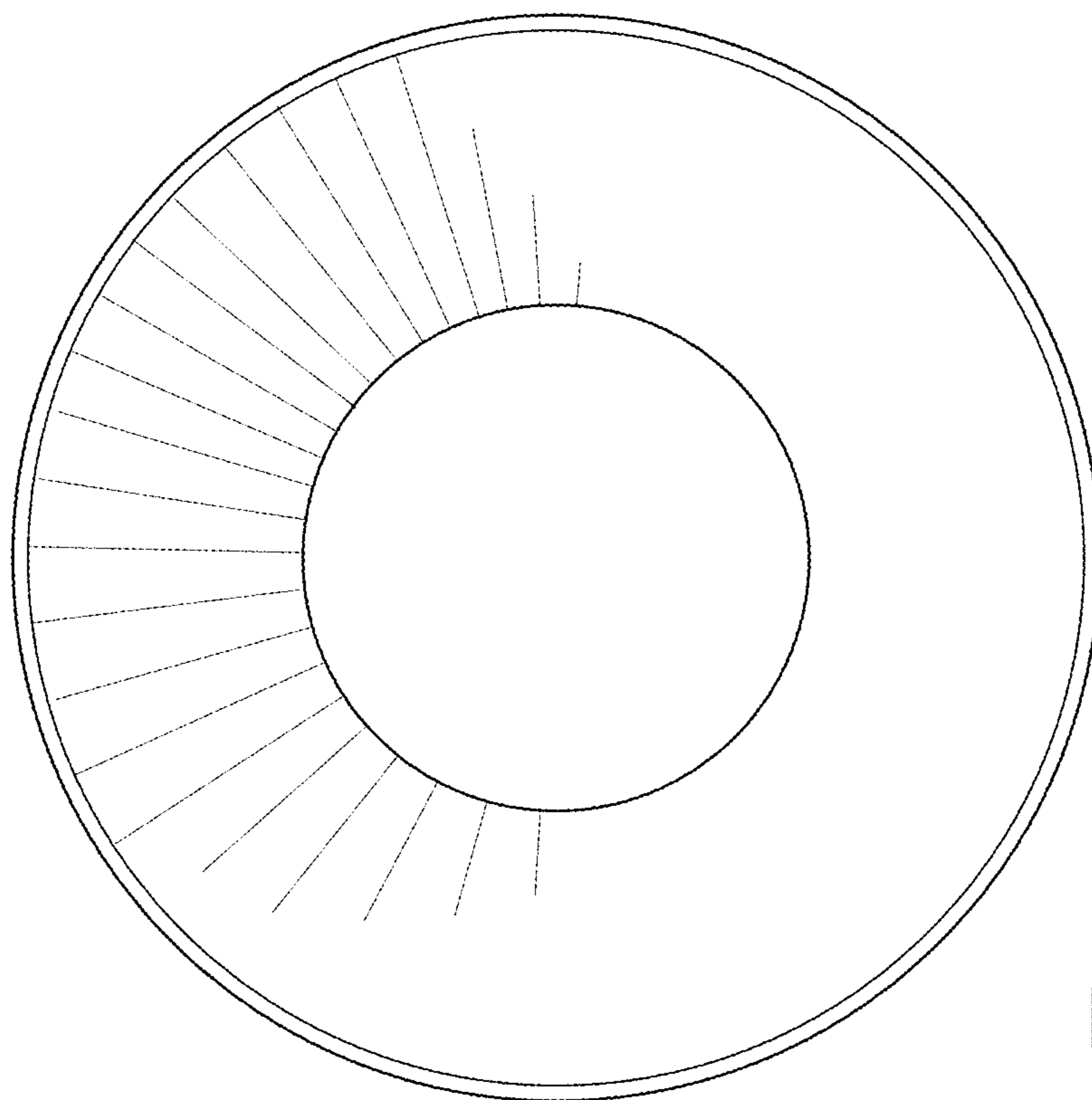


FIG. 7

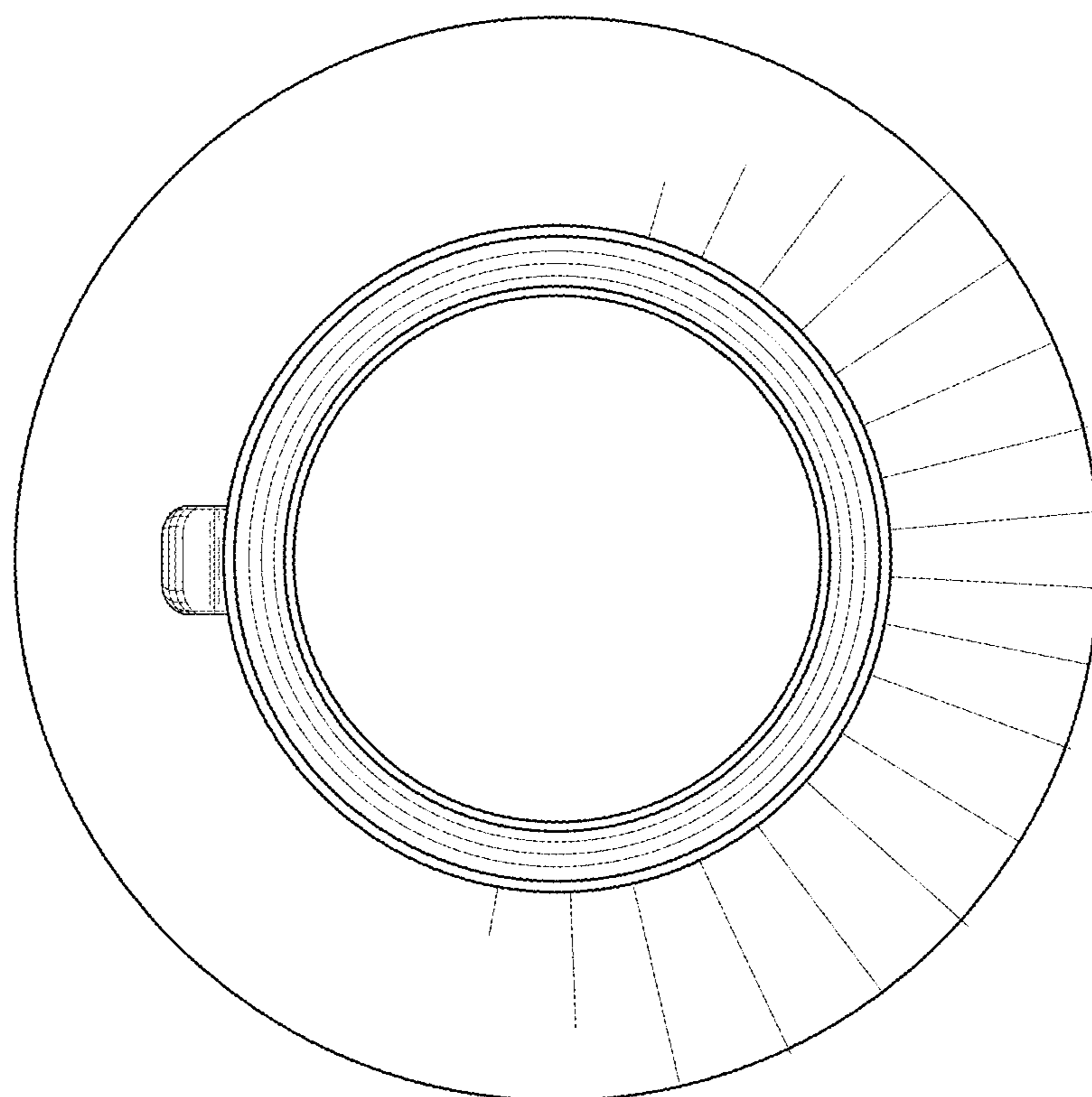


FIG. 8

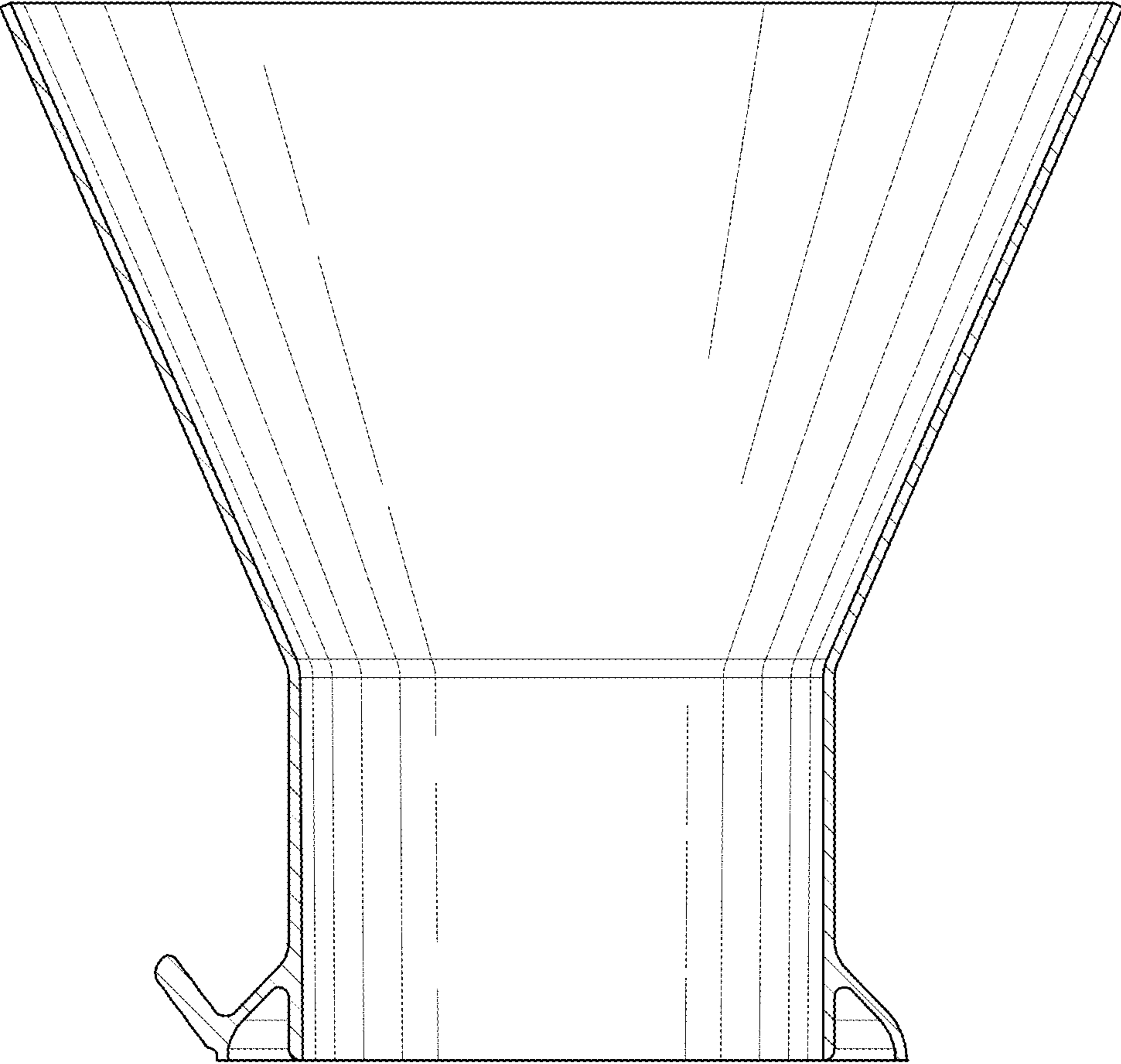


FIG.9