



US00D883044S

(12) **United States Design Patent** (10) **Patent No.:** **US D883,044 S**  
**Poon** (45) **Date of Patent:** **\*\* May 5, 2020**

- (54) **SERVING BOARD**
- (71) Applicant: **Ming Kuen Poon**, New South Wales (AU)
- (72) Inventor: **Ming Kuen Poon**, New South Wales (AU)
- (\*\*) Term: **15 Years**
- (21) Appl. No.: **29/643,078**
- (22) Filed: **Apr. 4, 2018**
- (51) **LOC (12) Cl.** ..... **07-04**
- (52) **U.S. Cl.**  
USPC ..... **D7/698**
- (58) **Field of Classification Search**  
USPC .. D7/543, 549, 550.1, 554.3, 586, 698-699;  
D32/55-57  
CPC ..... A45C 11/20; A47J 47/00; A47J 47/005;  
A47J 47/20; B26D 7/0006; B26D 7/018;  
B26D 7/20; B23D 21/00; B23K 37/04;  
B23K 37/053; B23Q 16/001; B25H 1/00  
See application file for complete search history.

- D655,939 S \* 3/2012 Tracy ..... D7/698
- D687,269 S \* 8/2013 Guy ..... D7/698
- D763,639 S \* 8/2016 Whitlock ..... D7/698

(Continued)

**OTHER PUBLICATIONS**

Smirly Cheese Board and Knife Set: 13x13x2 Inch Wood Charcuterie Platter for Wine, Cheese, Meat. Date first listed on Amazon Jun. 6, 2018. <https://www.amazon.com/dp/B07DL7ZV31> (Year: 2018).\*

*Primary Examiner* — Ricky Pham

(74) *Attorney, Agent, or Firm* — Eric Karich; Karich & Associates

(57) **CLAIM**

The ornamental design for a serving board, as shown and described.

**DESCRIPTION**

FIG. 1 is a perspective view of a serving board, showing my new design, and illustrating a drawer of the serving board in an extended position;

FIG. 2 is an exploded perspective view of the serving board of FIG. 1;

FIG. 3 is a perspective view of the serving board, illustrating the drawer in the closed position;

FIG. 4 is a front elevational view of the serving board of FIG. 1;

FIG. 5 is a rear elevational view of the serving board of FIG. 1;

FIG. 6 is a left side elevational view of the serving board of FIG. 1;

FIG. 7 is a right side elevational view of the serving board of FIG. 1;

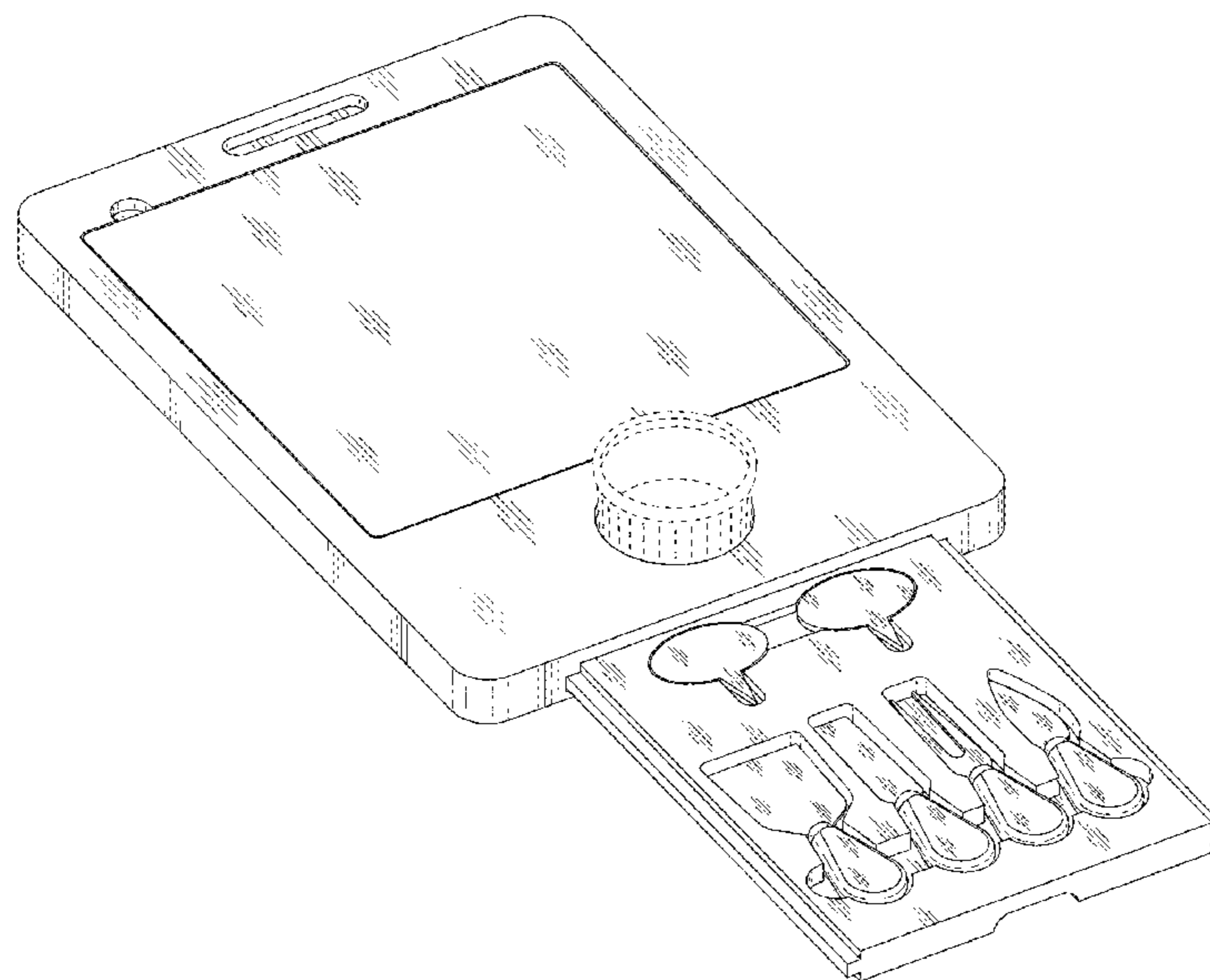
FIG. 8 is a top plan view of the serving board of FIG. 1; and, FIG. 9 is a bottom plan view of the serving board of FIG. 1. The broken lines shown in the drawings are for illustrative purposes only and form no part of the claimed design.

(56) **References Cited**

**U.S. PATENT DOCUMENTS**

- 157,283 A \* 12/1874 Gurney ..... B25H 1/00  
269/16
- 2,609,024 A \* 9/1952 Russ ..... A47J 47/005  
269/15
- D327,200 S \* 6/1992 Szablak ..... D7/550.1
- D357,847 S \* 5/1995 Hoffman ..... D7/698
- 5,546,852 A \* 8/1996 Bidwell ..... A47J 47/005  
210/259
- 6,341,770 B1 \* 1/2002 Landherr ..... A47J 47/005  
269/289 R
- D587,031 S \* 2/2009 Pourounidis ..... A47J 47/005  
D7/698
- D598,252 S \* 8/2009 West ..... D7/698

**1 Claim, 6 Drawing Sheets**



(56)

**References Cited**

U.S. PATENT DOCUMENTS

D846,363 S \* 4/2019 Agahian ..... D7/698  
2010/0012616 A1\* 1/2010 Guy ..... A45C 11/20  
215/355

\* cited by examiner

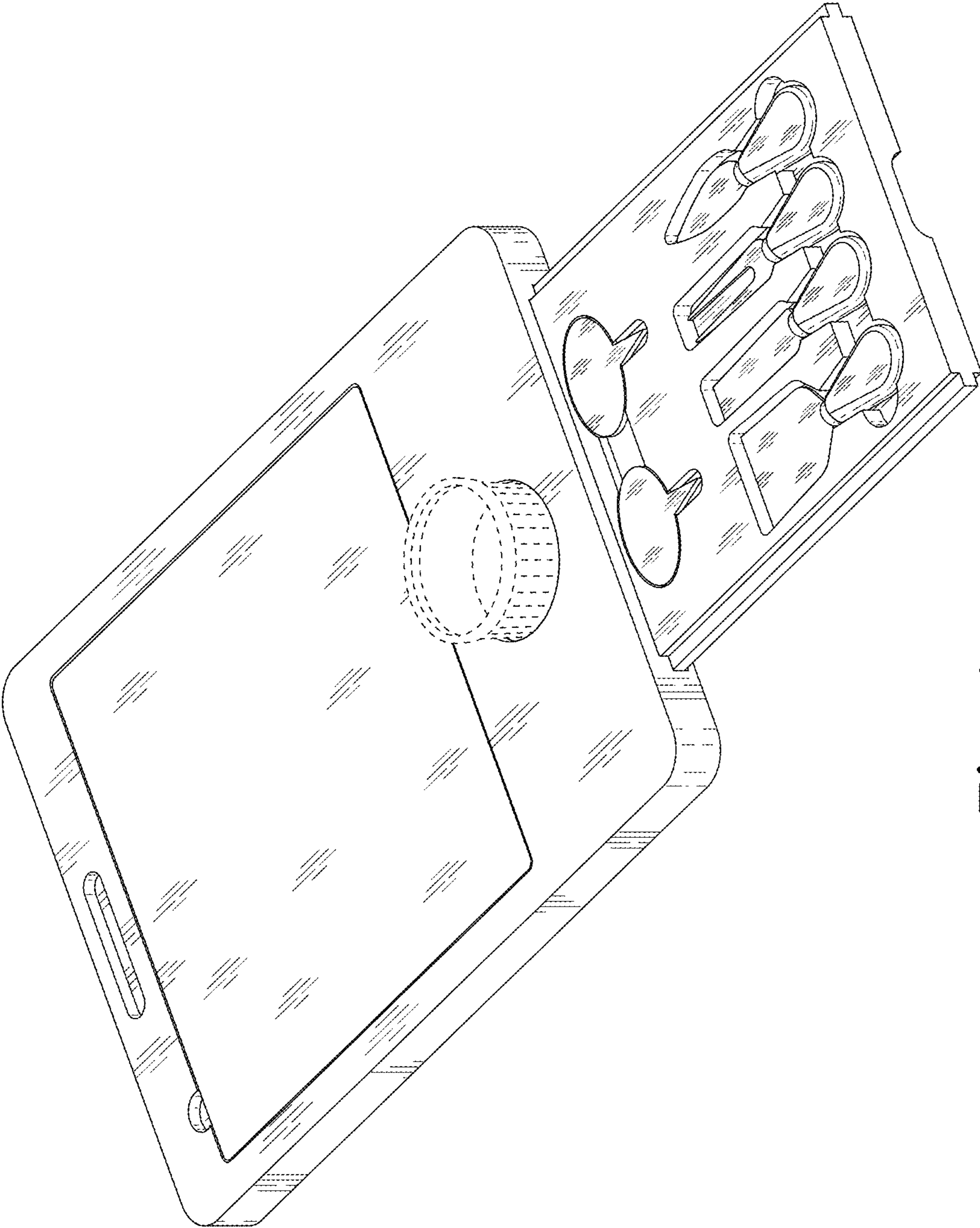


Fig. 1

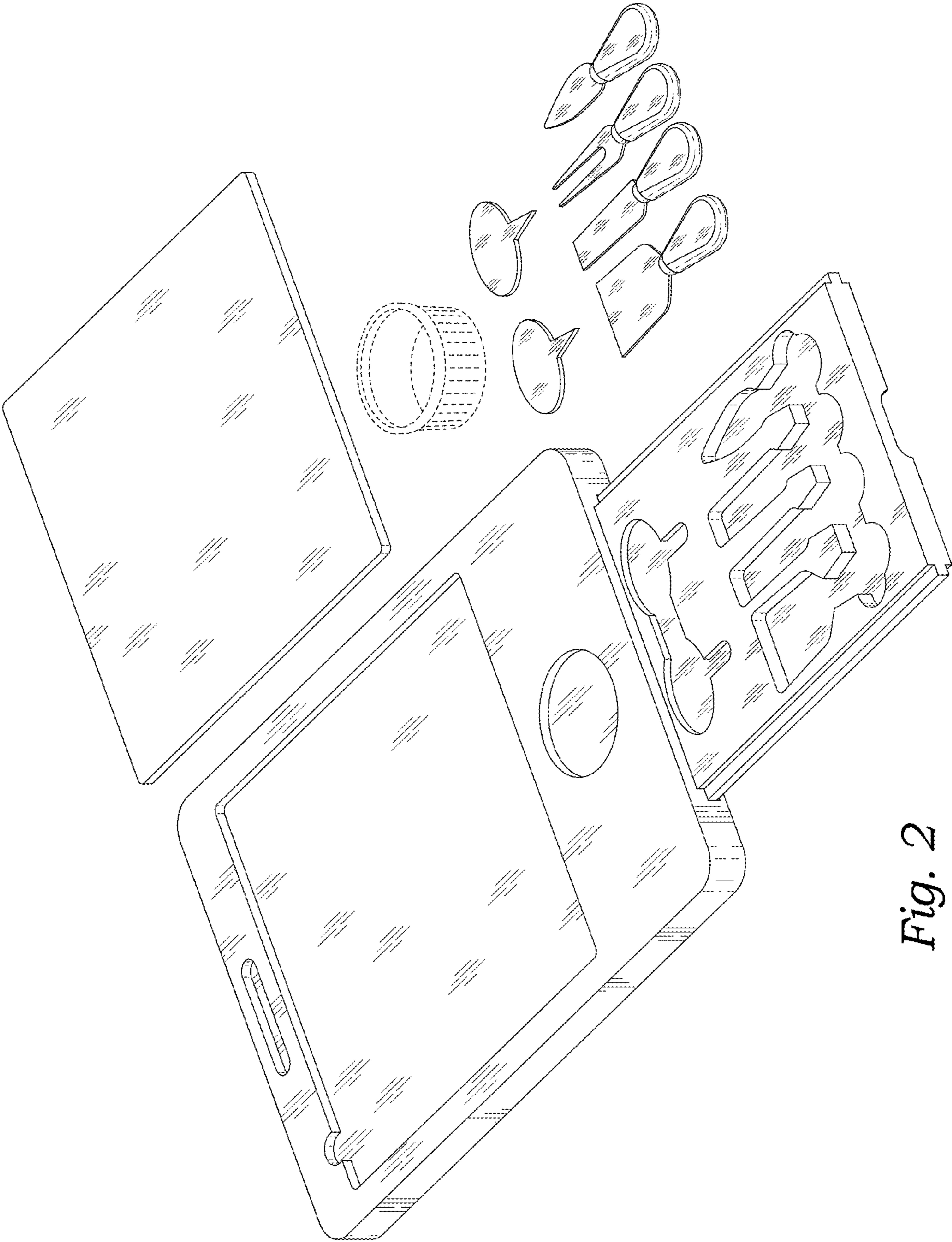


Fig. 2

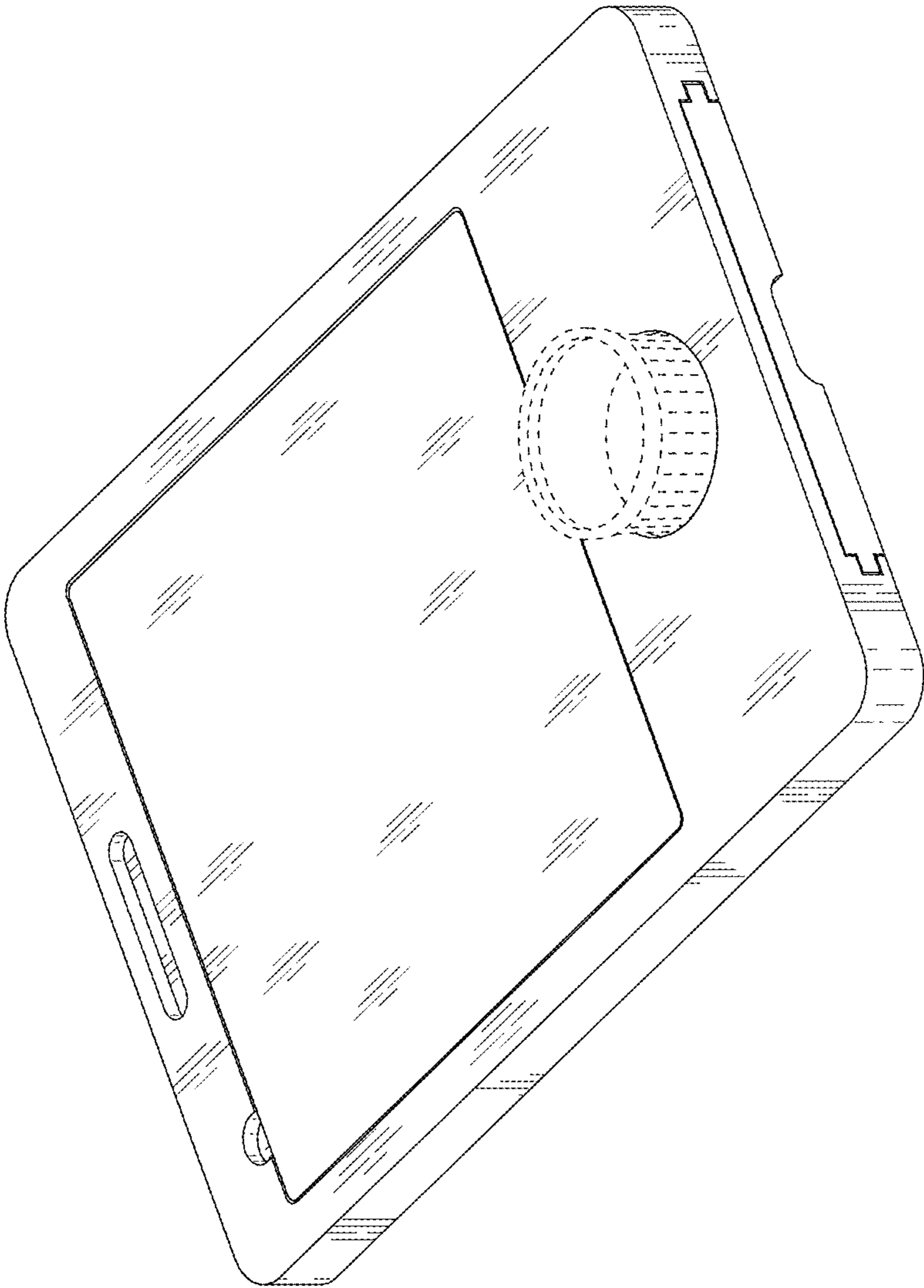
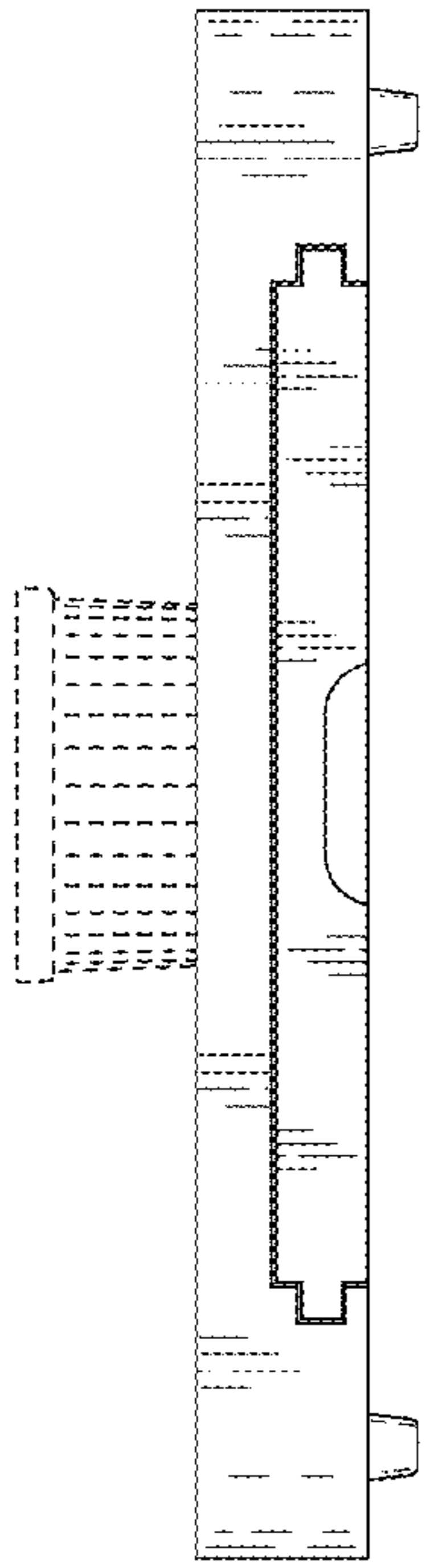
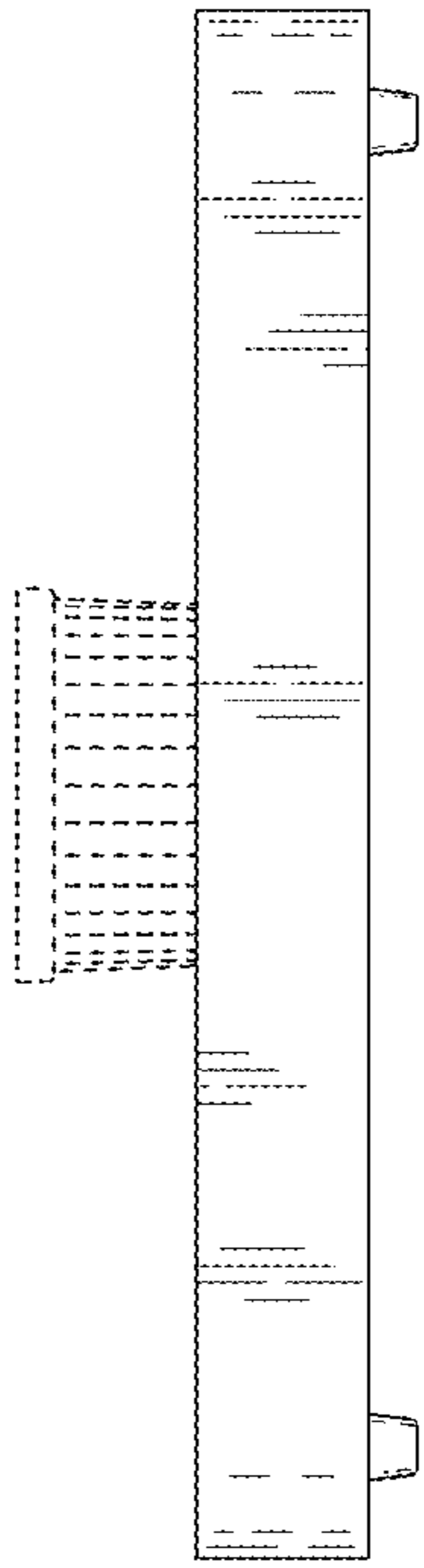


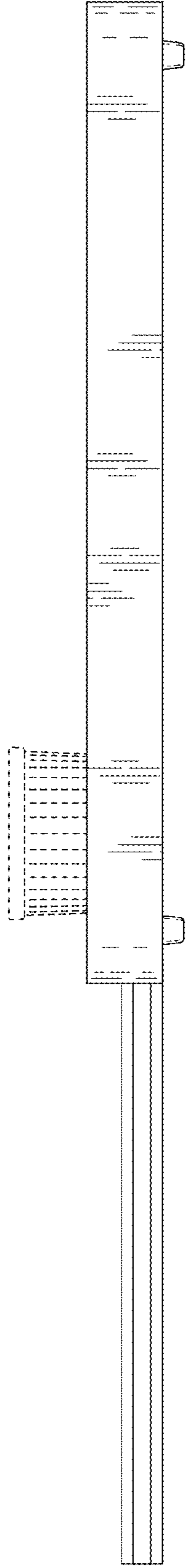
Fig. 3



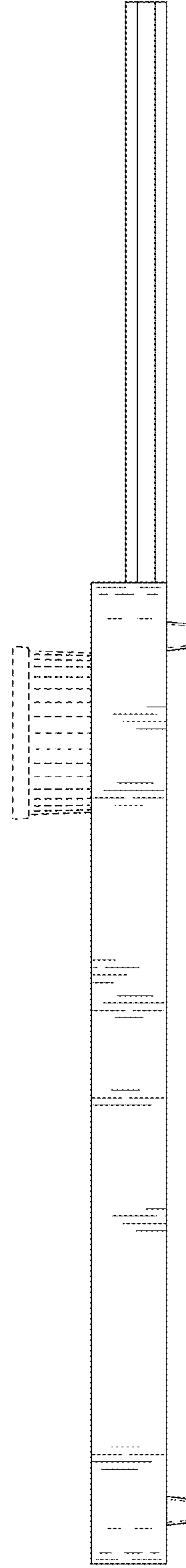
*Fig. 4*



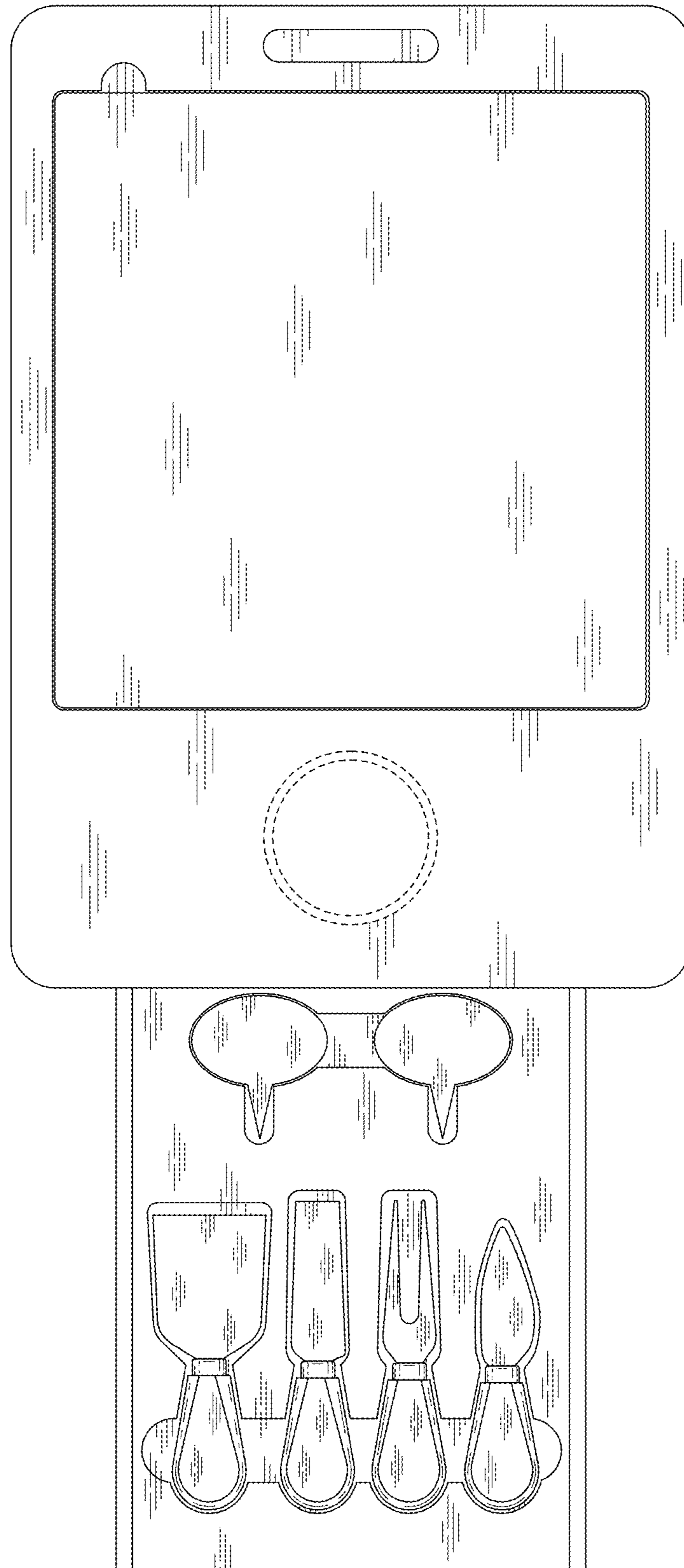
*Fig. 5*



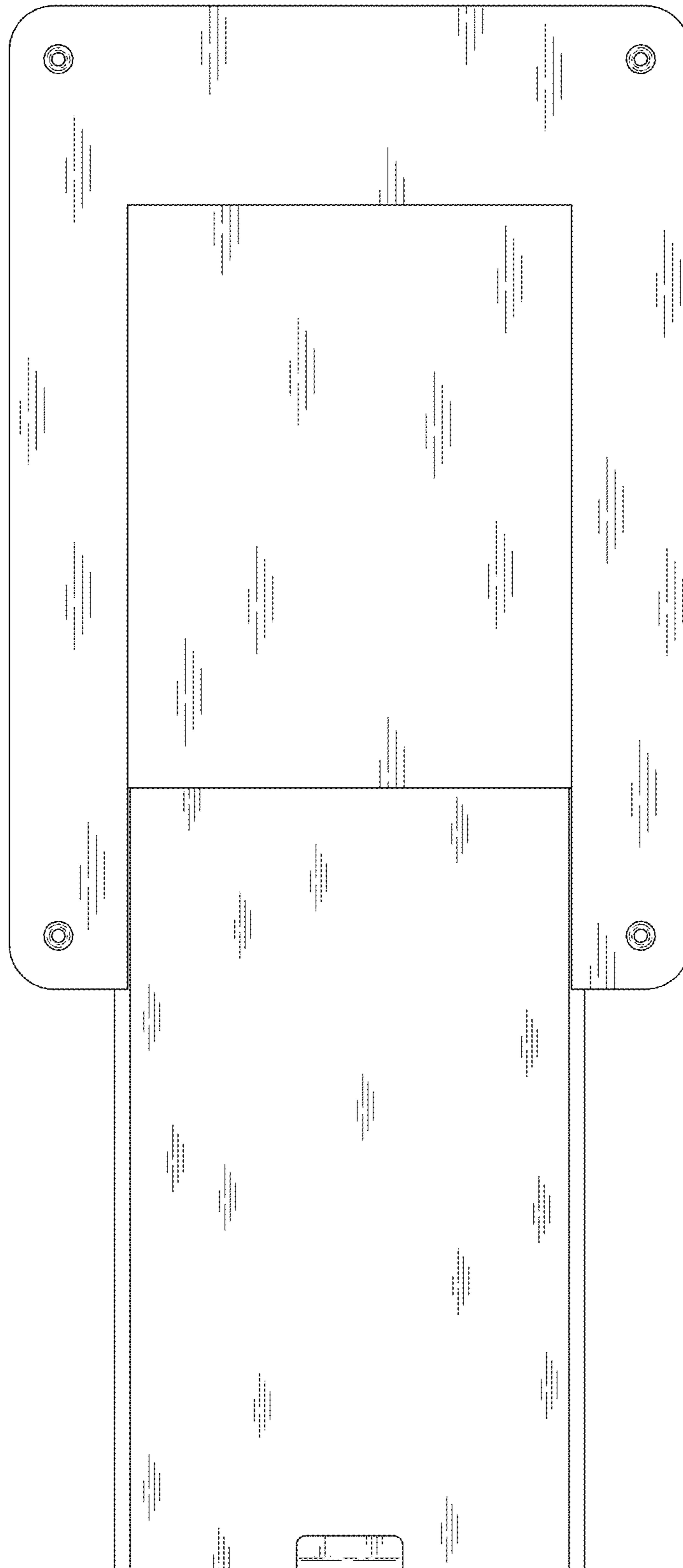
*Fig. 6*



*Fig. 7*



*Fig. 8*



*Fig. 9*