



US00D883043S

(12) **United States Design Patent**  
**Sullivan et al.**

(10) **Patent No.:** **US D883,043 S**

(45) **Date of Patent:** **\*\* May 5, 2020**

(54) **SCOOP**

(71) Applicant: **SULLIVAN SUPPLY, INC.**, Dunlap, IA (US)

(72) Inventors: **John Sullivan**, Dunlap, IA (US); **James Sullivan**, Dunlap, IA (US)

(73) Assignee: **Sullivan Supply, Inc.**, Dunlap, IA (US)

(\*\*) Term: **15 Years**

(21) Appl. No.: **29/676,828**

(22) Filed: **Jan. 15, 2019**

**Related U.S. Application Data**

(62) Division of application No. 29/609,869, filed on Jul. 6, 2017, now Pat. No. Des. 839,059.

(51) **LOC (12) Cl.** ..... **07-99**

(52) **U.S. Cl.**  
USPC ..... **D7/691**

(58) **Field of Classification Search**  
USPC ..... D7/680-696, 393, 395, 669; D8/1  
CPC .. A01B 1/02; A47F 13/08; A47F 13/00; A47J  
43/282; F24B 15/06; A01K 1/014; A47G  
21/04

See application file for complete search history.

(56) **References Cited**

**U.S. PATENT DOCUMENTS**

237,387 A *	2/1881	Kerfoot .....	A01B 1/02
			294/176
D296,406 S *	6/1988	Fuller .....	294/180
D306,324 S *	2/1990	Dykes .....	D21/472
D362,161 S *	9/1995	Rosenkranz .....	D7/691
5,716,087 A *	2/1998	Backich .....	A01B 1/02
			16/422
D675,070 S *	1/2013	Rockwell .....	D7/691
D694,592 S *	12/2013	Hukill .....	D7/691

**OTHER PUBLICATIONS**

WebstaurantStore, Follett ABICESCOOP 2.6 Qt. Poly Ice Scoop, <http://webstaurantstore.com/follett-abicescoop-2-6-qt-poly-ice-scoop/230AICESC> retrieved Dec. 14, 2016. (4 pages).

Plastic Feed Scoop 5pt White, <http://myagway.com/catalog/product/119785/plastic-feed-scoop-5pt-white>, retrieved Dec. 14, 2016 (1 page).

Neon Scoop (Purple); <http://organicchickenfeed.com/neon-scoop-purple>, retrieved Dec. 14, 2016 (2 pages).

Ag-Tuff Heavy Duty 2 Quart Plastic Feed Scoop, [http://tacketc.com/shop/index.php?main\\_page=product\\_info&products\\_id=29](http://tacketc.com/shop/index.php?main_page=product_info&products_id=29), retrieved Dec. 14, 2016 (1 page).

5-Pint Plastic Feed Scoop—Blue, <http://www.enasco.com/product/C29661N/>, retrieved Dec. 14, 2016 (2 pages).

\* cited by examiner

*Primary Examiner* — Terry A Wallace

(74) *Attorney, Agent, or Firm* — Muetting, Raasch & Gebhardt, P.A.

(57) **CLAIM**

The ornamental design for a scoop, as shown and described.

**DESCRIPTION**

FIG. 1 is a front left perspective view of a scoop in accordance with the claimed design;

FIG. 2 is a left side elevation view of the design of FIG. 1, the right side being a mirror image;

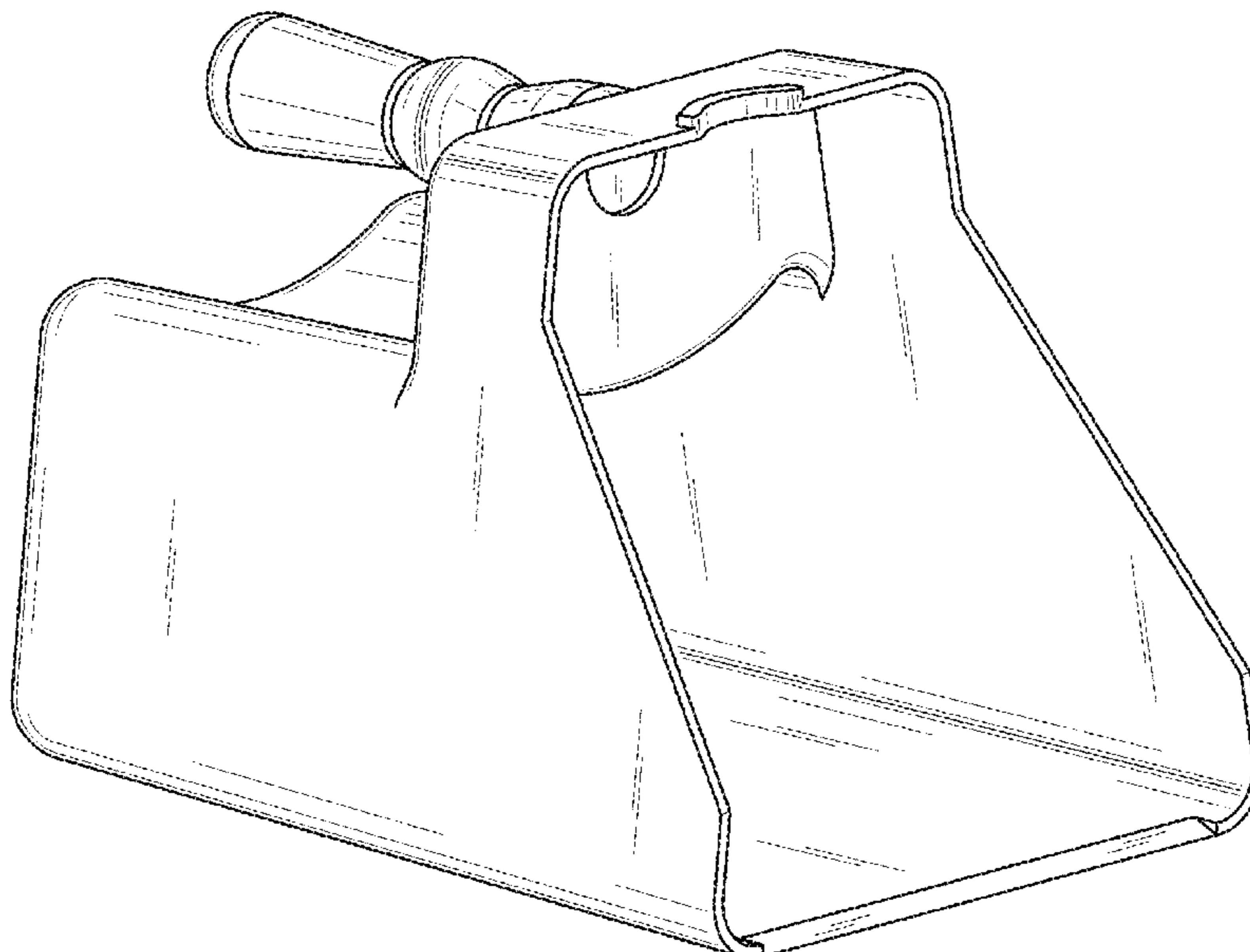
FIG. 3 is a top plan view of the design of FIG. 1;

FIG. 4 is a bottom plan view of the design of FIG. 1;

FIG. 5 is a rear elevation view of the design of FIG. 1; and, FIG. 6 is a front elevation view of the design of FIG. 1.

The labels used herein to describe orientation (e.g., top, bottom, left, right) are merely for reference and are not intended to limit the interpretation of the design.

**1 Claim, 6 Drawing Sheets**



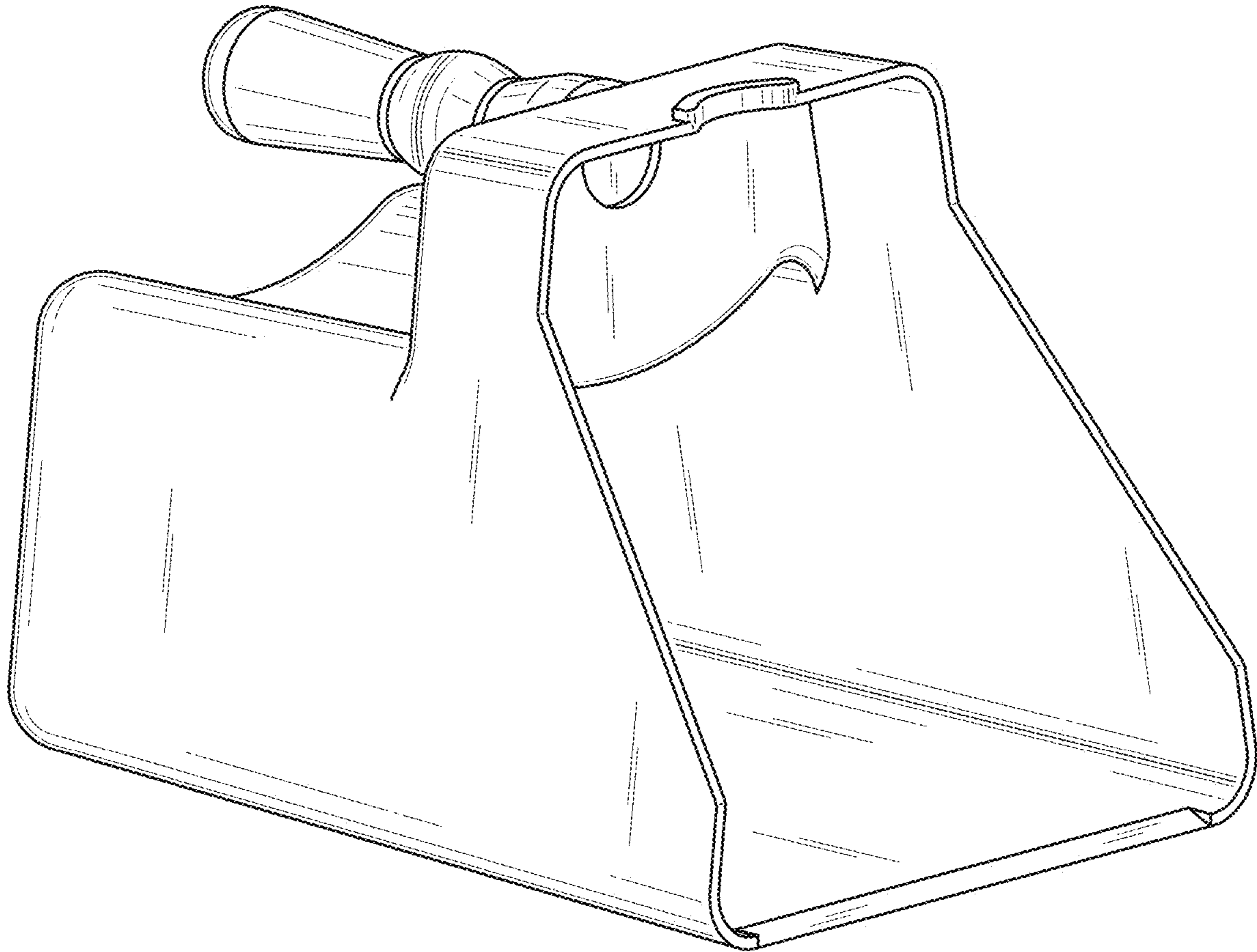
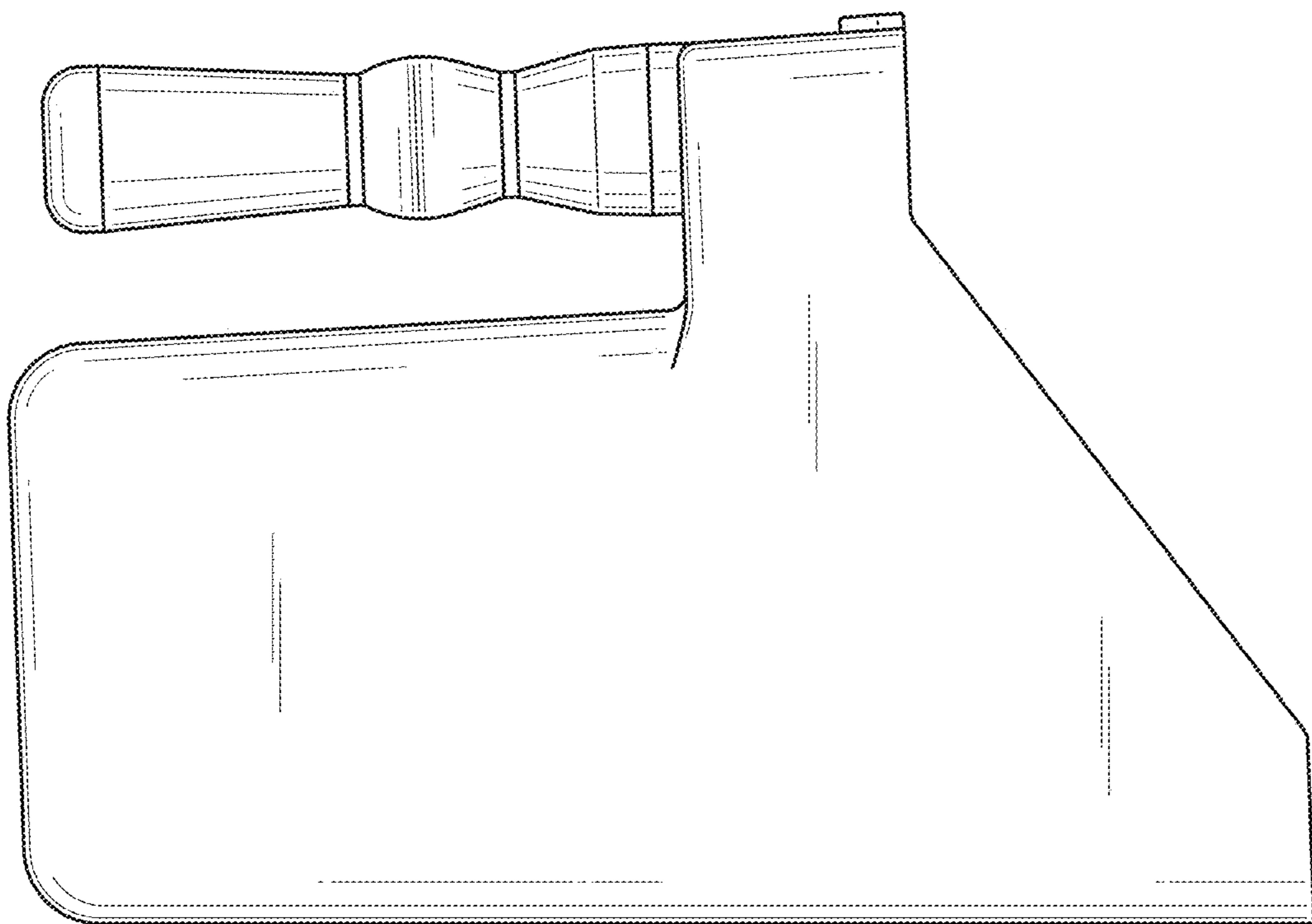
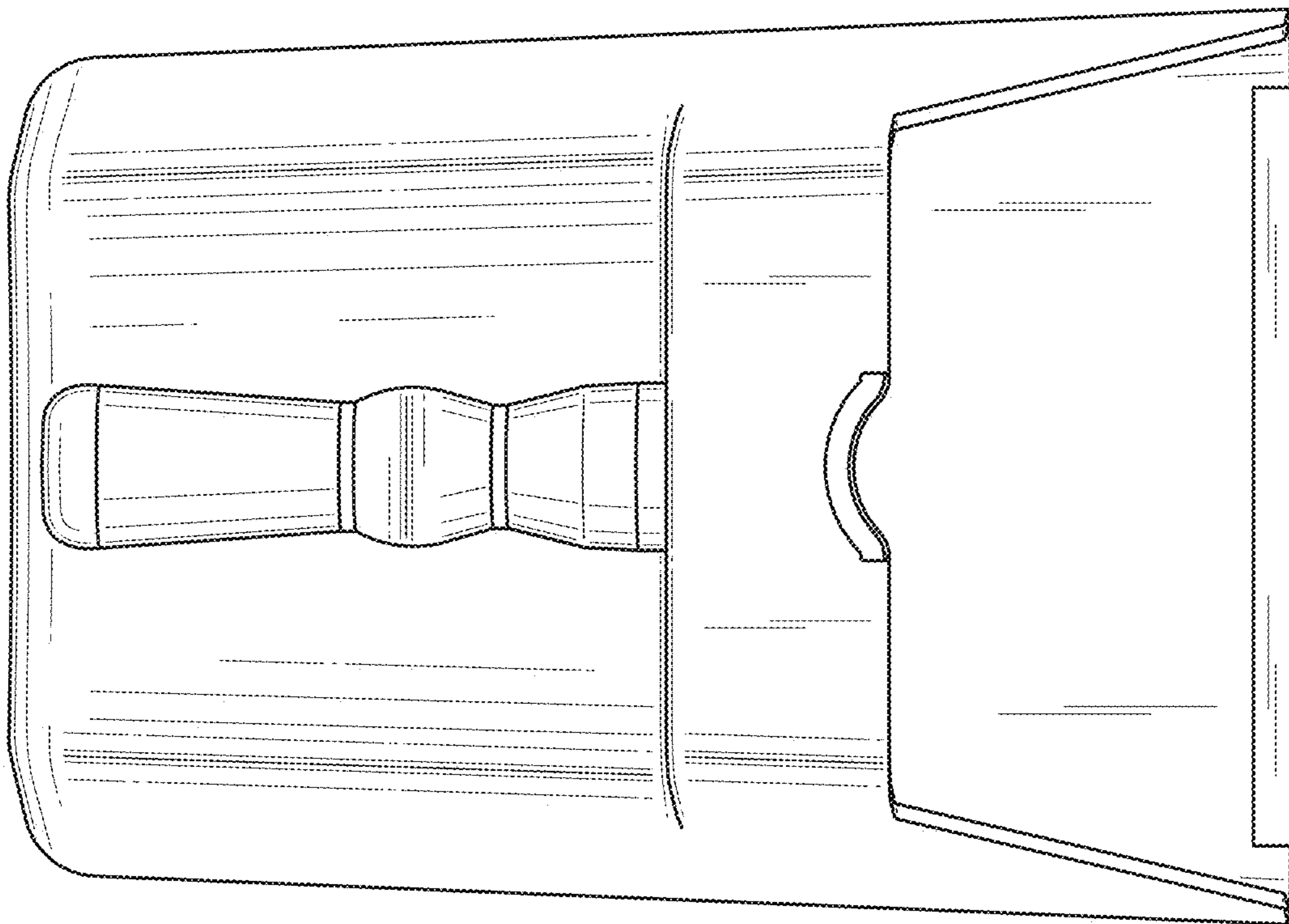


Fig. 1



**Fig. 2**



**Fig. 3**

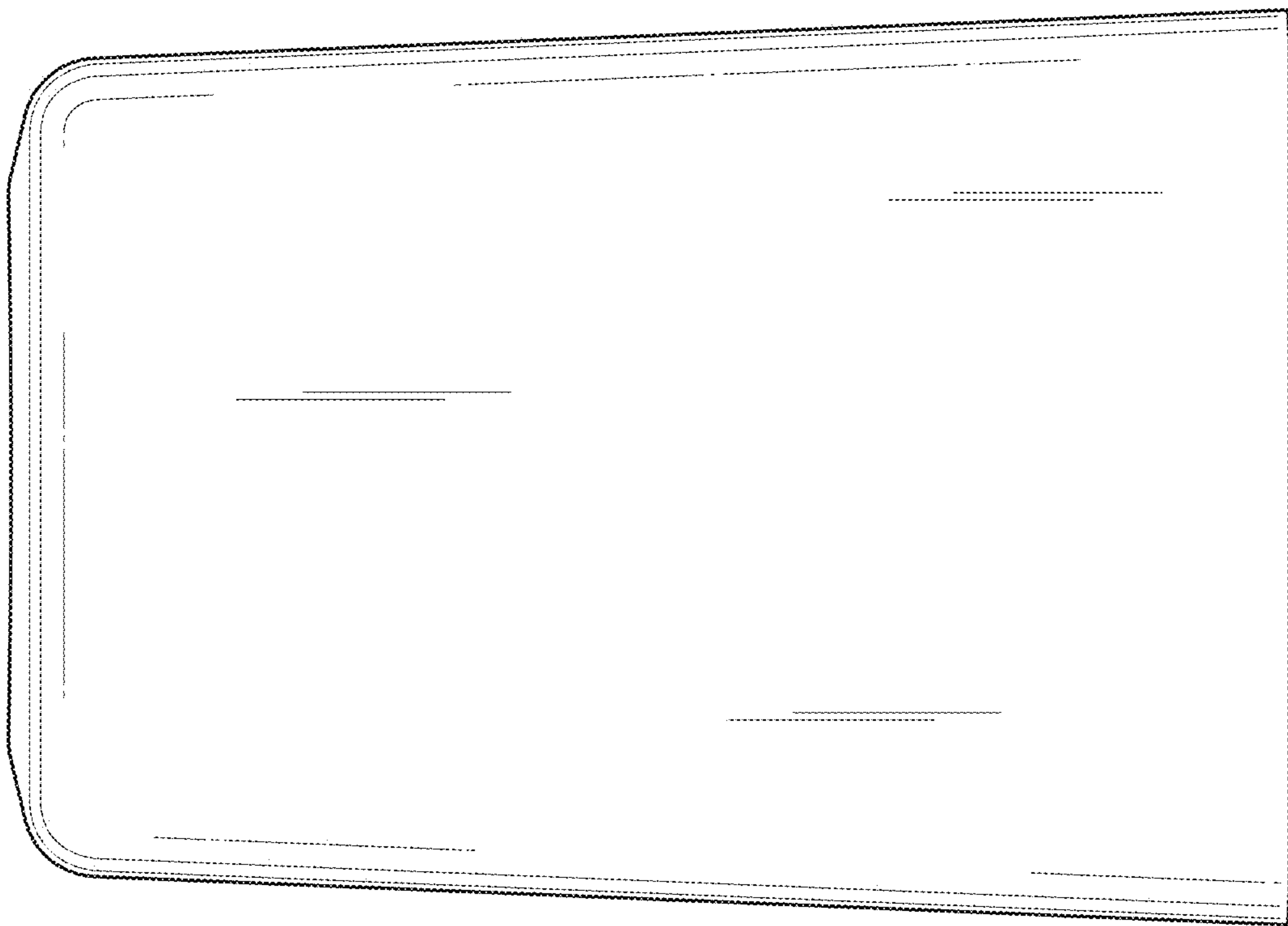
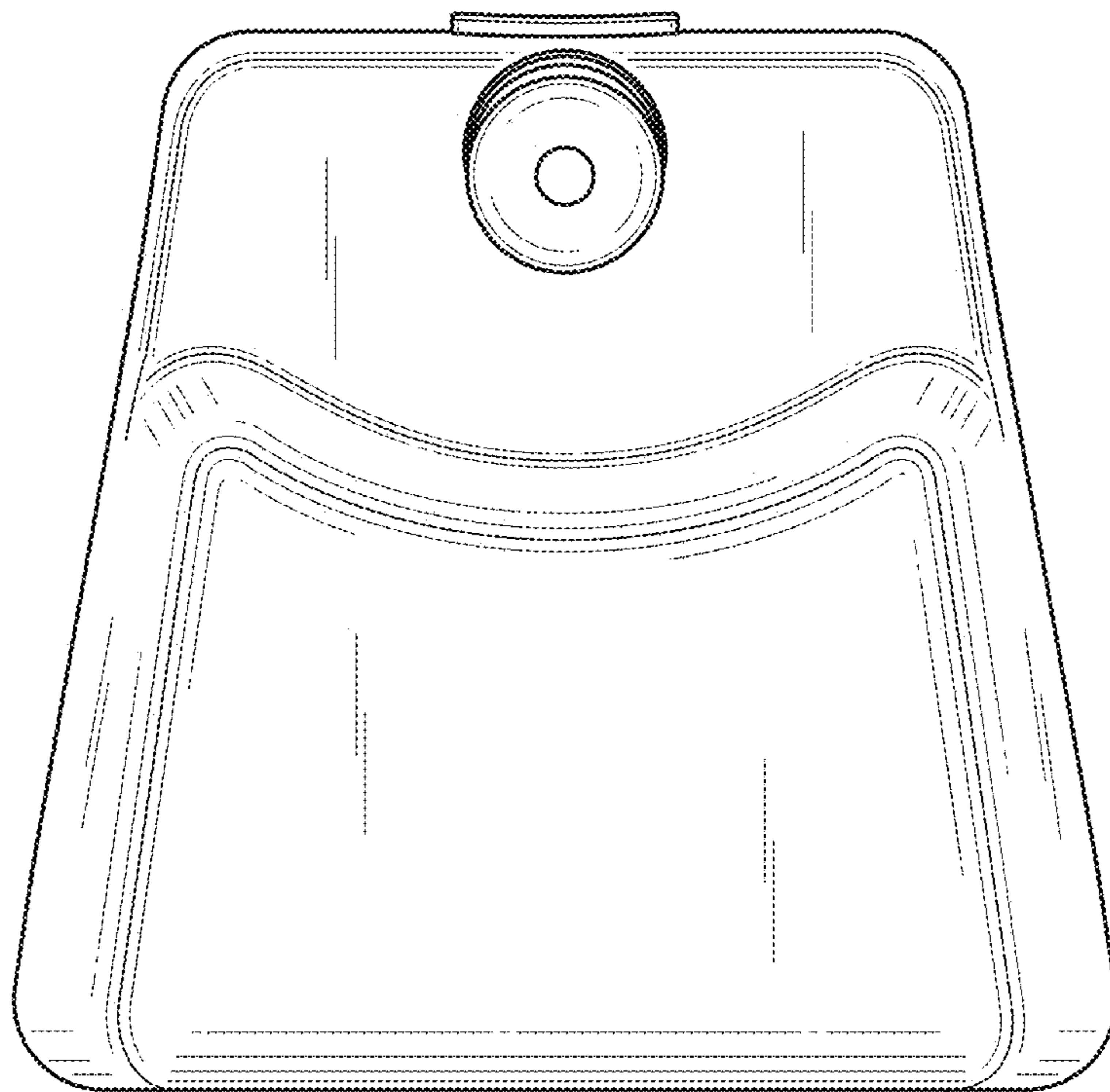
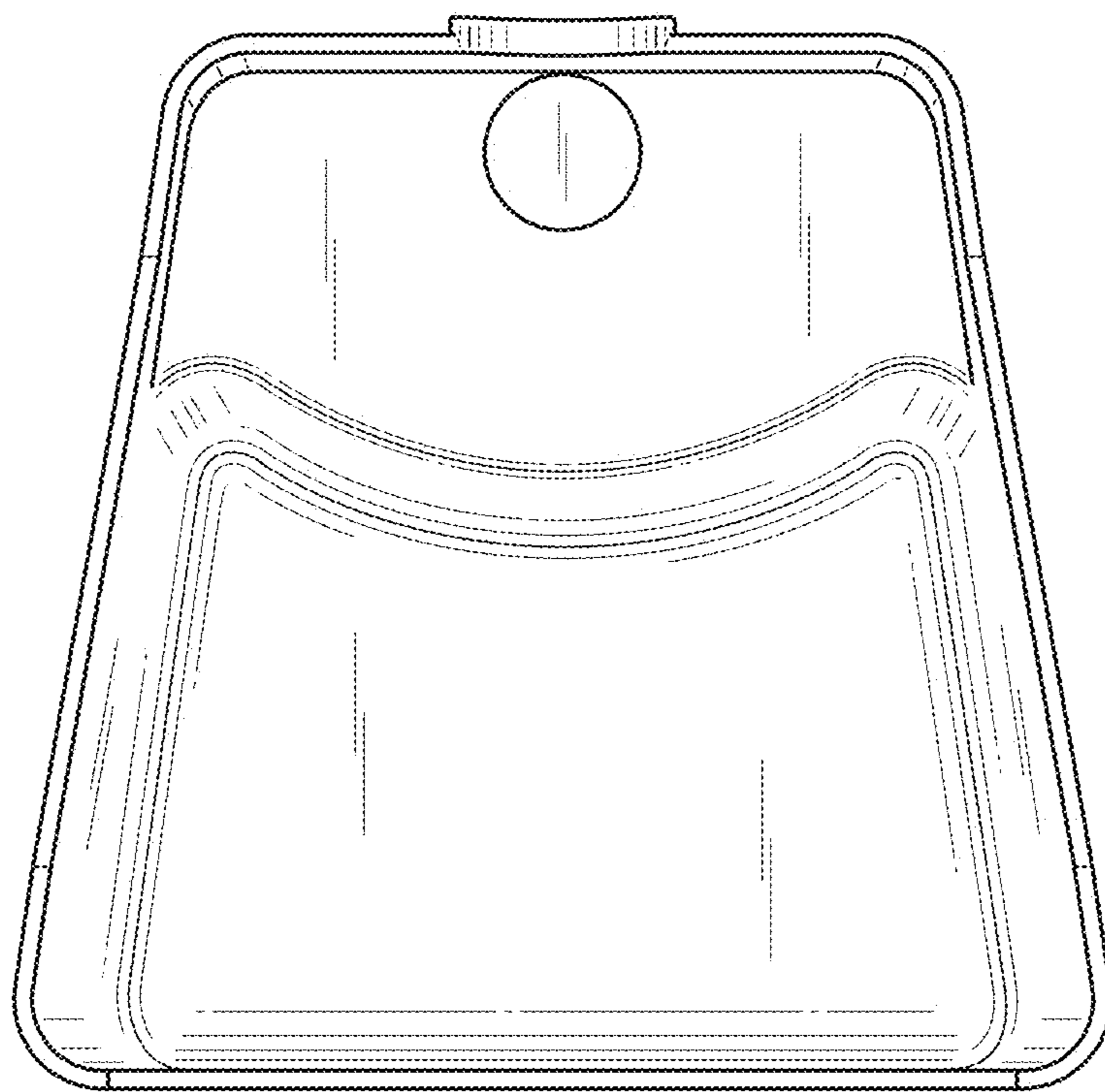


Fig. 4



**Fig. 5**



**Fig. 6**