



US00D883042S

(12) **United States Design Patent**  
**Blickman et al.**

(10) **Patent No.:** **US D883,042 S**  
(45) **Date of Patent:** **\*\* May 5, 2020**

(54) **INSULATED BEVERAGE CONTAINER**

(71) Applicants: **Matt J. Blickman**, Kentfield, CA (US);  
**Conrado Garcia**, San Leandro, CA (US)

(72) Inventors: **Matt J. Blickman**, Kentfield, CA (US);  
**Conrado Garcia**, San Leandro, CA (US)

(\*\*) Term: **15 Years**

(21) Appl. No.: **29/662,839**

(22) Filed: **Sep. 10, 2018**

(51) **LOC (12) Cl.** ..... **07-01**

(52) **U.S. Cl.**  
USPC ..... **D7/608**

(58) **Field of Classification Search**  
USPC ..... D7/605–608, 619.1–625, 509–511;  
D9/500–505, 537, 522, 558, 516, 532,  
D9/443

CPC ..... A47G 23/0216; A47G 23/0258; A47G  
19/2205; A47G 19/2288; A47G 19/2272;  
F17C 13/001; B65D 81/3886; B65D  
81/3823; B65D 81/3818; B65D 81/3846;  
B65D 81/3837; B65D 81/3839; B65D  
81/3841; B65D 81/3844; B65D 81/3876;  
B65D 81/3879; B65D 81/3883; B65D  
81/3888; B65D 1/0215; B65D 21/0228;  
B65D 21/083; B65D 23/0885; B65D  
41/04; B65D 1/06; B65D 1/04; F25D  
3/08; F25D 3/14; F25D 2331/804; A47J  
42/02; A47J 41/0077; A47J 41/02; A47J  
41/022; A47J 41/024; A47J 41/026; A47J  
41/028; A47J 41/00; A47J 43/27; A45C  
11/20; B44C 1/18; A45F 3/16

See application file for complete search history.

(56) **References Cited**

**U.S. PATENT DOCUMENTS**

2,963,187 A \* 12/1960 Bramming ..... A47J 41/02  
215/12.1  
D199,278 S \* 9/1964 Douglas ..... D9/532

3,229,840 A \* 1/1966 Filleul ..... B65D 1/06  
215/2  
3,779,298 A \* 12/1973 Piccirilli ..... B44C 1/18  
220/4.21  
D269,059 S \* 5/1983 Steyn ..... D7/608  
4,510,769 A \* 4/1985 McClellan, Jr. ... B65D 81/3879  
215/12.1  
4,823,974 A \* 4/1989 Crosser ..... A47G 19/2288  
206/545  
5,417,327 A \* 5/1995 Saumure ..... B65D 21/0228  
206/427  
6,119,888 A \* 9/2000 Goto ..... A47J 41/0083  
215/13.1

(Continued)

*Primary Examiner* — Terry A Wallace

(74) *Attorney, Agent, or Firm* — Steven A. Nielsen;  
www.NielsenPatents.com

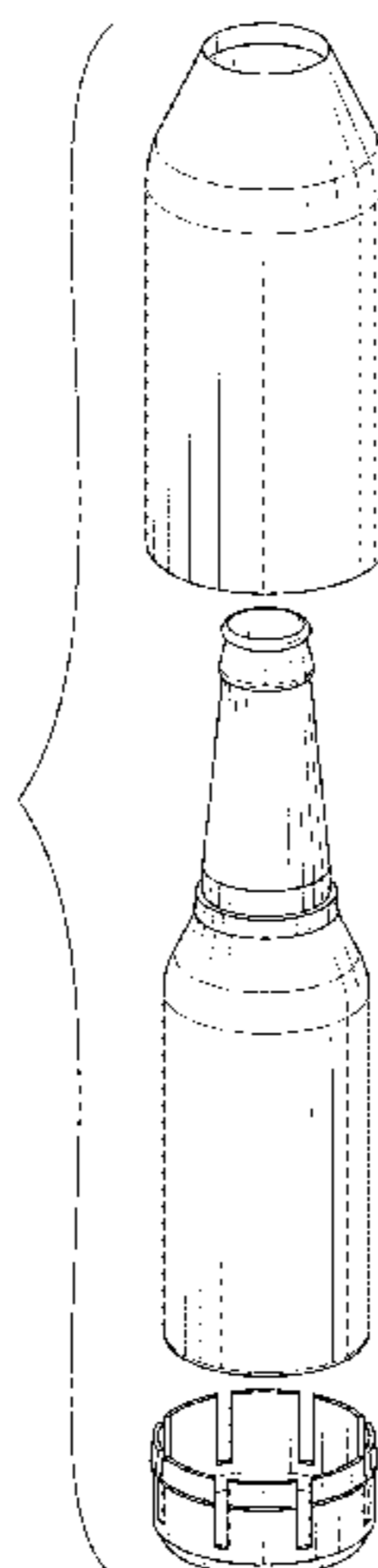
(57) **CLAIM**

The ornamental design for an insulated beverage container,  
as shown and described.

**DESCRIPTION**

FIG. 1 is a top, side perspective and exploded view of an  
insulated beverage container showing a new design;  
FIG. 2 is a front view thereof, with the back, right side and  
left side being identical views;  
FIG. 3 are top views thereof of each separate component;  
FIG. 4 are bottom views thereof of each separate compo-  
nent;  
FIG. 5 is a perspective view of an assembled embodiment;  
FIG. 6 is a perspective sectional view thereof;  
FIG. 7 is a front view thereof, with the back, right side and  
left side being identical views;  
FIG. 8 is a top view thereof; and,  
FIG. 9 is a bottom view thereof.

**1 Claim, 6 Drawing Sheets**



(56)

**References Cited**

U.S. PATENT DOCUMENTS

6,604,649 B1 \* 8/2003 Campi ..... B65D 81/3886  
220/592.17  
D625,560 S \* 10/2010 Olson ..... D7/300.1  
D652,682 S \* 1/2012 Eyal ..... D7/510  
9,505,527 B1 \* 11/2016 Campbell ..... B65D 1/0261  
2009/0255941 A1 \* 10/2009 Kuntz ..... B65D 23/0885  
220/592.17  
2010/0084362 A1 \* 4/2010 Letchinger ..... B65D 1/06  
215/200  
2011/0204048 A1 \* 8/2011 Carino ..... A45F 3/18  
220/4.03  
2013/0153591 A1 \* 6/2013 Grimes ..... A01K 91/02  
220/735  
2014/0238949 A1 \* 8/2014 Patel ..... B65D 21/0228  
215/6

\* cited by examiner

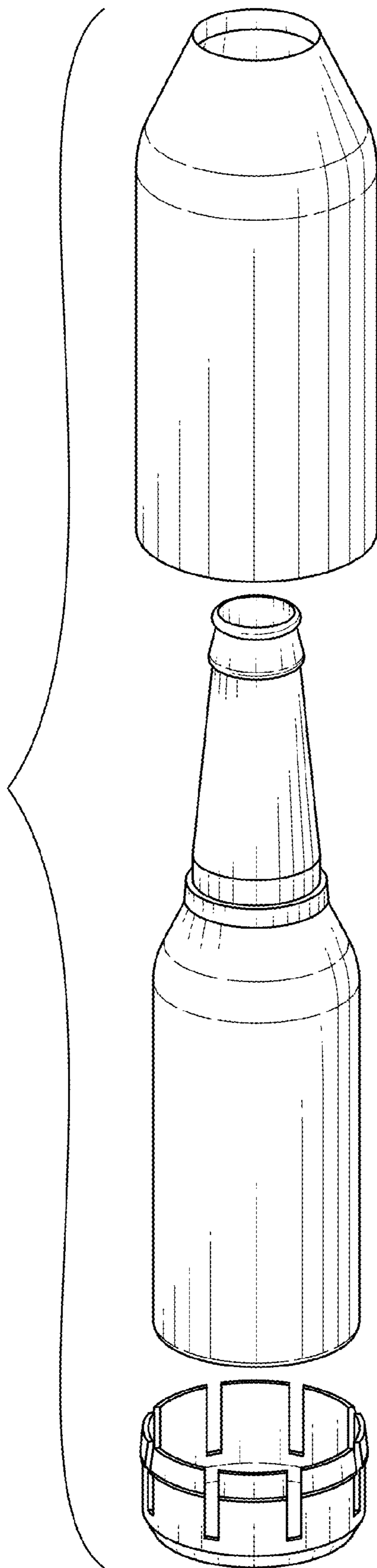


FIG. 1

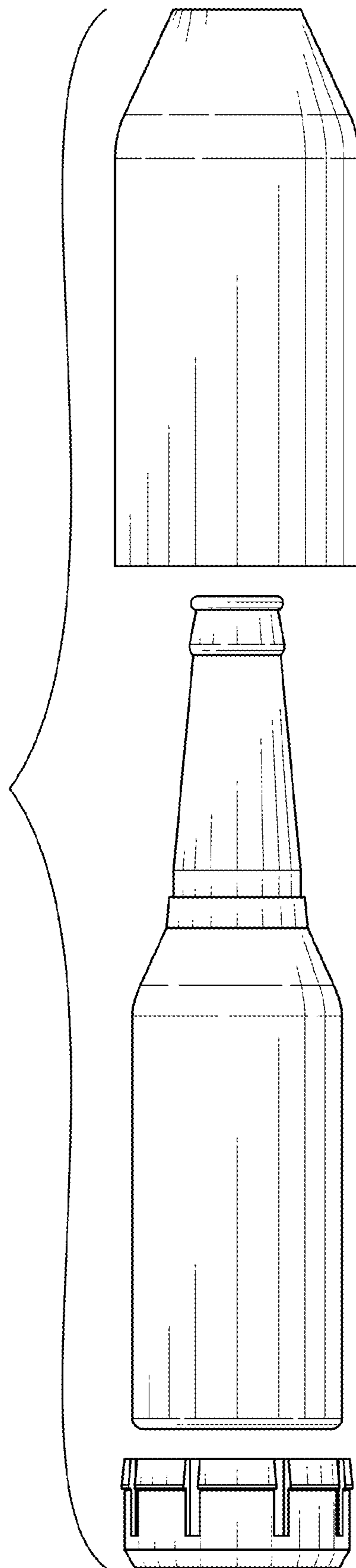


FIG. 2

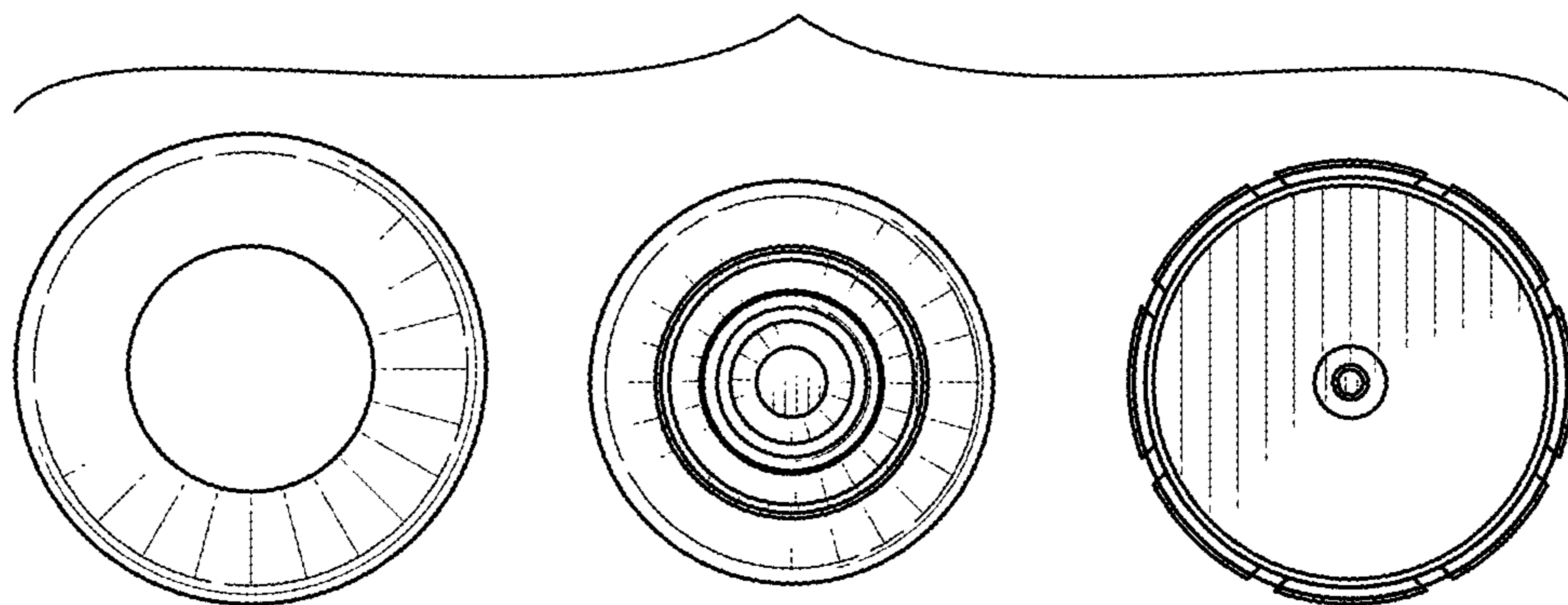


FIG. 3

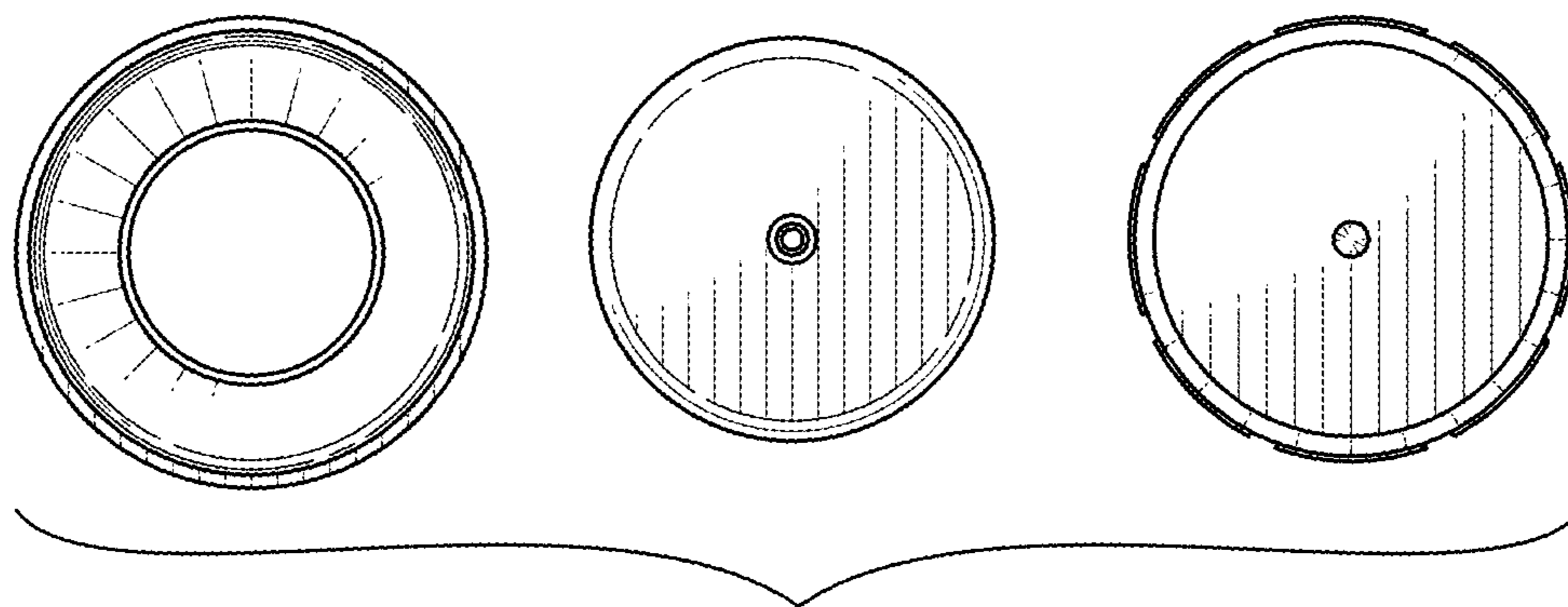


FIG. 4

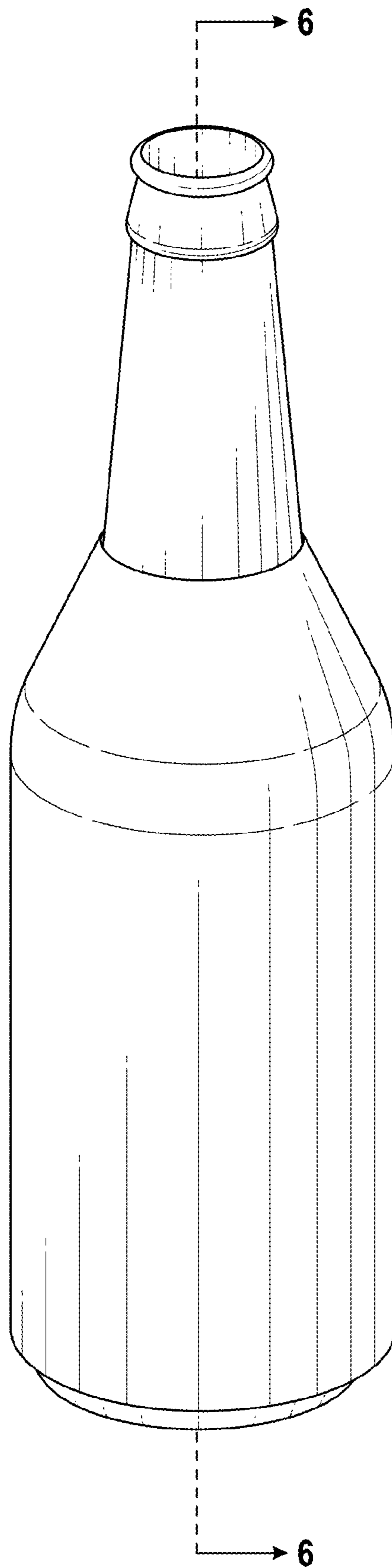


FIG. 5

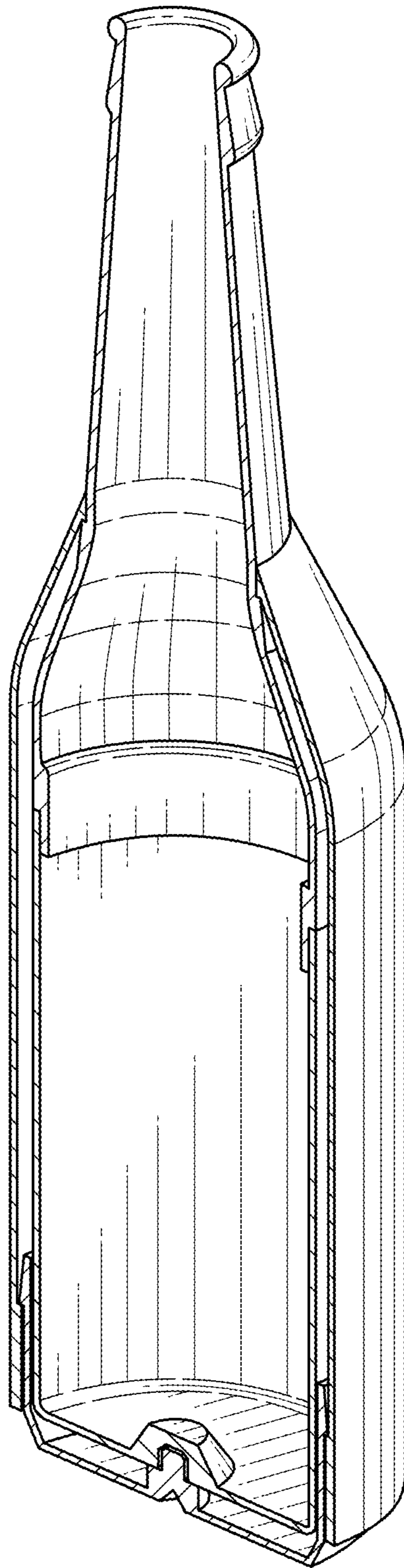


FIG. 6

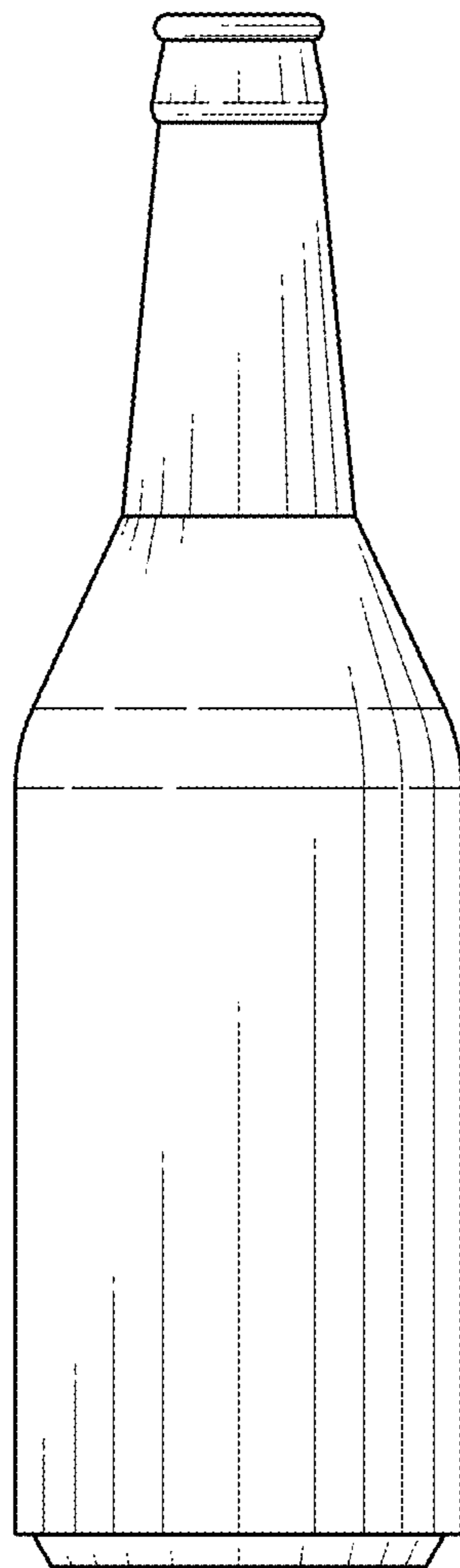


FIG. 7

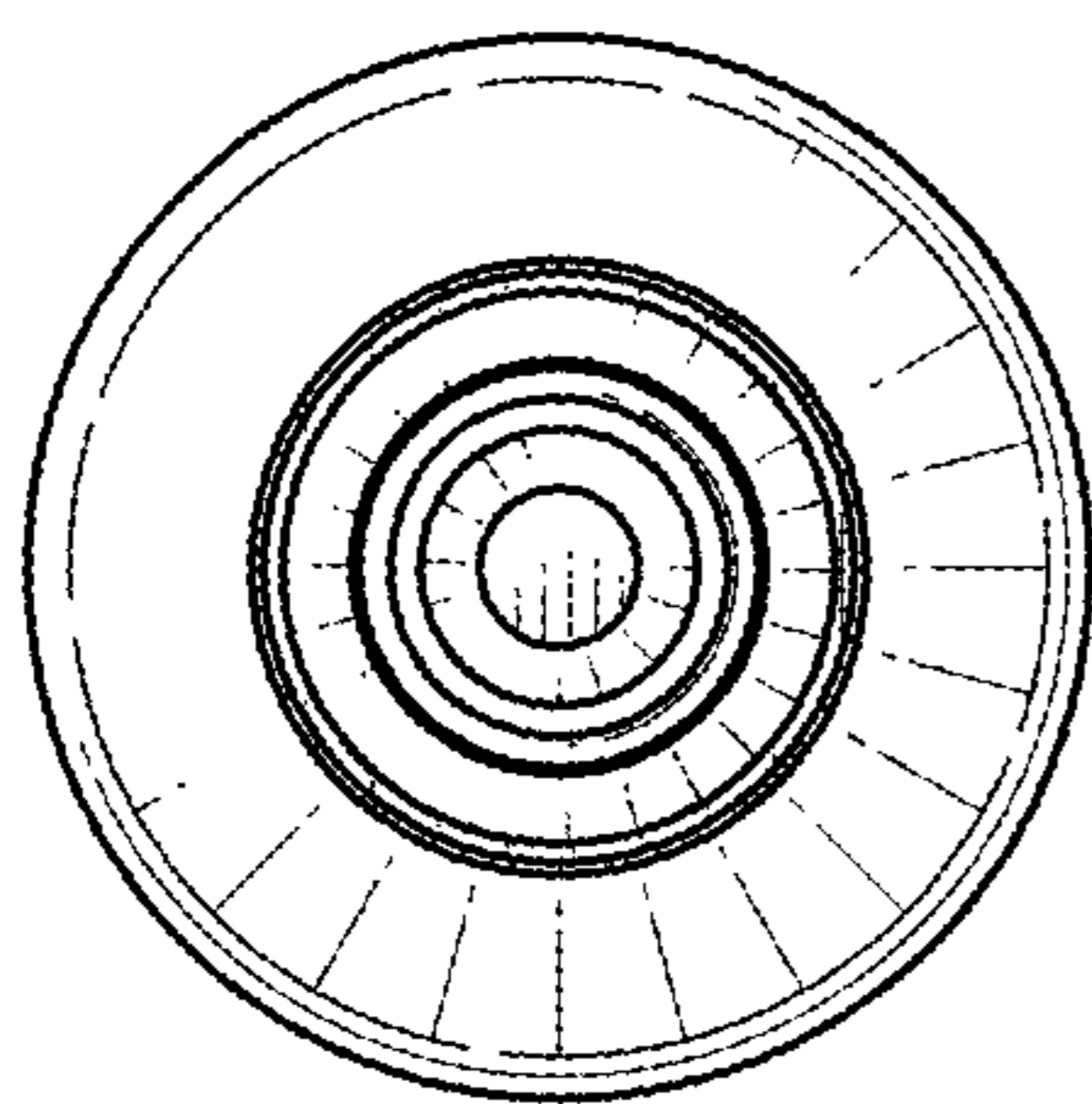


FIG. 8

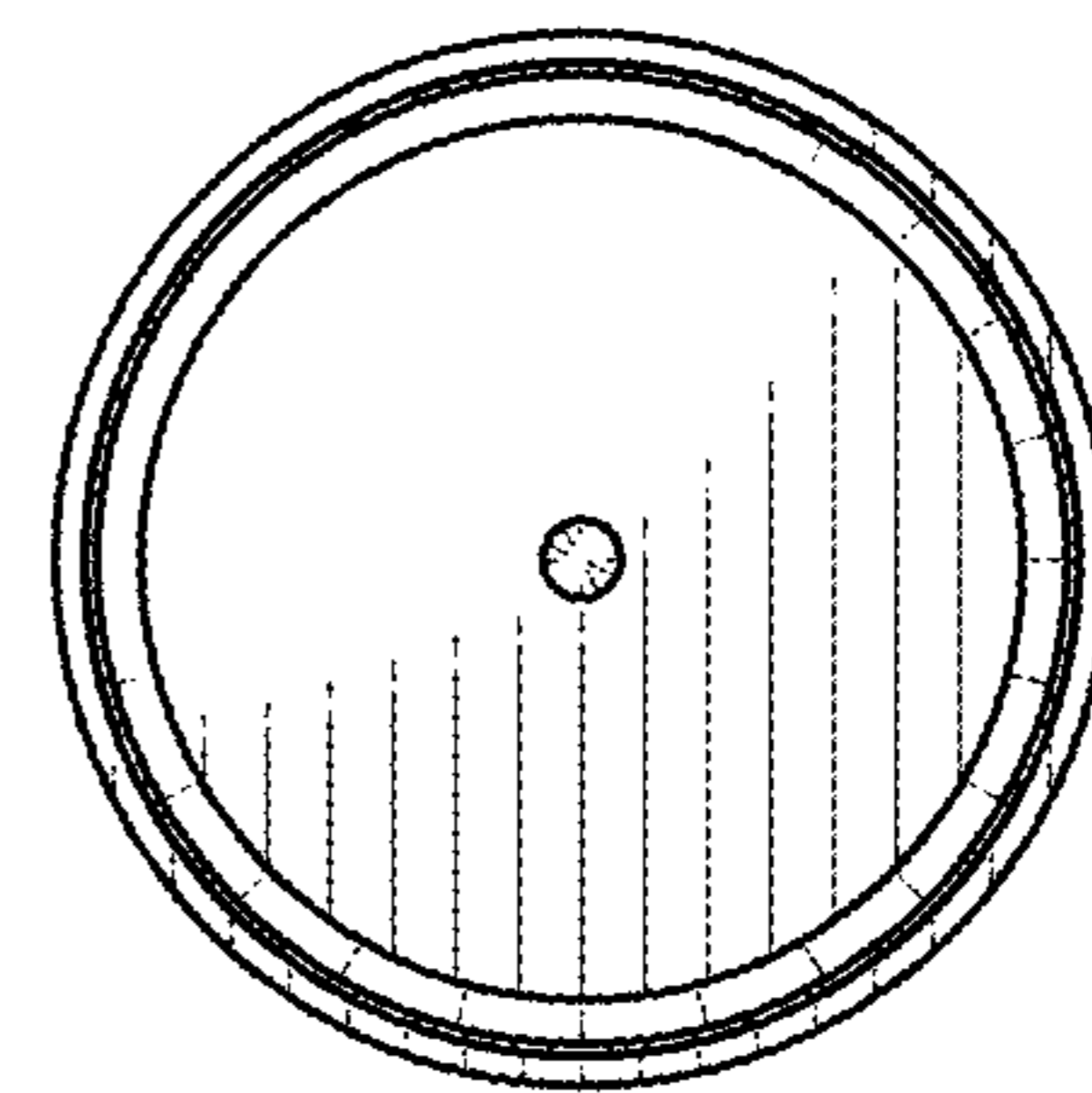


FIG. 9