



US00D883041S

(12) **United States Design Patent** (10) **Patent No.:** **US D883,041 S**
Park et al. (45) **Date of Patent:** **** May 5, 2020**

(54) **BOTTLE**

(71) Applicants: **Jennifer Bae Park**, Chicago, IL (US);
Marvin Lane, Wheeling, IL (US);
Dwayne Boroski, Lake in the Hills, IL (US)

(72) Inventors: **Jennifer Bae Park**, Chicago, IL (US);
Marvin Lane, Wheeling, IL (US);
Dwayne Boroski, Lake in the Hills, IL (US)

(73) Assignee: **Thermos L.L.C.**, Schaumburg, IL (US)

(**) Term: **15 Years**

(21) Appl. No.: **29/656,595**

(22) Filed: **Jul. 13, 2018**

(51) **LOC (12) Cl.** **07-01**

(52) **U.S. Cl.**
USPC **D7/608**

(58) **Field of Classification Search**
USPC D7/605–608, 509, 510, 511;
D9/500–505, 443, 516, 532, 522, 558,
D9/772, 763, 773, 779
CPC A47G 19/2205; A47G 2019/2294; A47G
19/23; A47G 19/2272; A47J 41/02; A47J
41/022; A47J 41/024; A47J 41/026; A47J
41/028; A47J 41/00; A47J 41/0077; A47J
41/0083; B65D 81/3823; B65D 81/3818;
B65D 881/3846; B65D 81/3881; B65D

(Continued)

(56) **References Cited**

U.S. PATENT DOCUMENTS

2,963,187 A * 12/1960 Bramming A47J 41/02
215/12.1
D321,628 S * 11/1991 Kobayashi D7/608

(Continued)

Primary Examiner — Terry A Wallace

(74) *Attorney, Agent, or Firm* — Polsinelli PC

(57) **CLAIM**

The ornamental design for a bottle, as shown and described.

DESCRIPTION

FIG. 1 is a perspective view of a first embodiment of the bottle;

FIG. 2 is a front view of the first embodiment of the bottle;

FIG. 3 is a rear view of the first embodiment of the bottle;

FIG. 4 is a left side view of the first embodiment of the bottle;

FIG. 5 is a right side view of the first embodiment of the bottle;

FIG. 6 is an enlarged top view of the first embodiment of the bottle;

FIG. 7 is a bottom view of the first embodiment of the bottle;

FIG. 8 is a perspective view of a second embodiment of the bottle;

FIG. 9 is a front view of the second embodiment of the bottle;

FIG. 10 is a rear view of the second embodiment of the bottle;

FIG. 11 is a left side view of the second embodiment of the bottle;

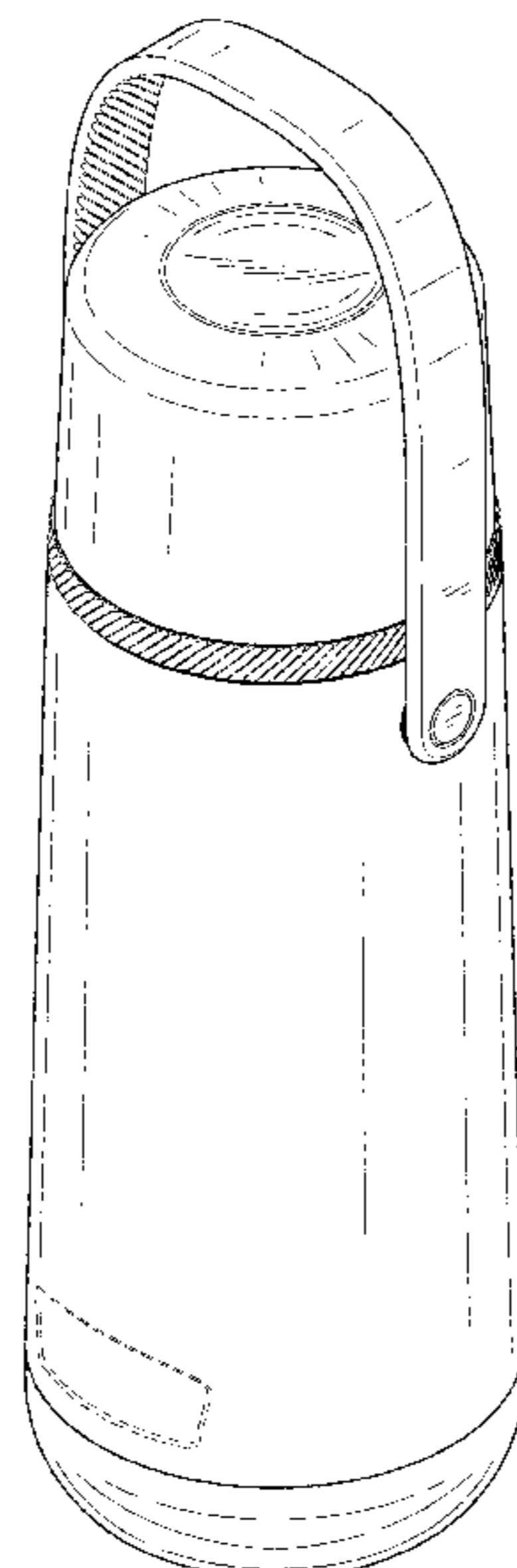
FIG. 12 is a right side view of the second embodiment of the bottle;

FIG. 13 is an enlarged top view of the second embodiment of the bottle; and,

FIG. 14 is a bottom view of the second embodiment of the bottle.

The broken lines showing in the figures are included for the purpose of illustrating portions of the bottle that form no part of the claimed design. The dash-dot lines showing in the figures are included for defining the bounds of the claimed design that form no part thereof.

1 Claim, 12 Drawing Sheets



(58) **Field of Classification Search**

CPC 81/3886; B65D 81/3837; B65D 81/3876;
B65D 81/3879; B65D 81/3883; B65D
17/4012; B65D 47/286; A45C 11/20
See application file for complete search history.

(56) **References Cited**

U.S. PATENT DOCUMENTS

5,680,944 A * 10/1997 Rueter B65D 81/3897
215/13.1
6,119,888 A * 9/2000 Goto A47J 41/0083
215/13.1
6,332,557 B1 * 12/2001 Moran A47J 41/0083
215/12.1
D625,560 S * 10/2010 Olson D7/300.1
D635,457 S * 4/2011 Lane D7/511
D668,913 S * 10/2012 Mayer D7/510
D708,954 S * 7/2014 Barnes D7/511
D724,385 S * 3/2015 Hurley D7/511
2011/0186585 A1 * 8/2011 Lu A47J 41/00
220/575

* cited by examiner

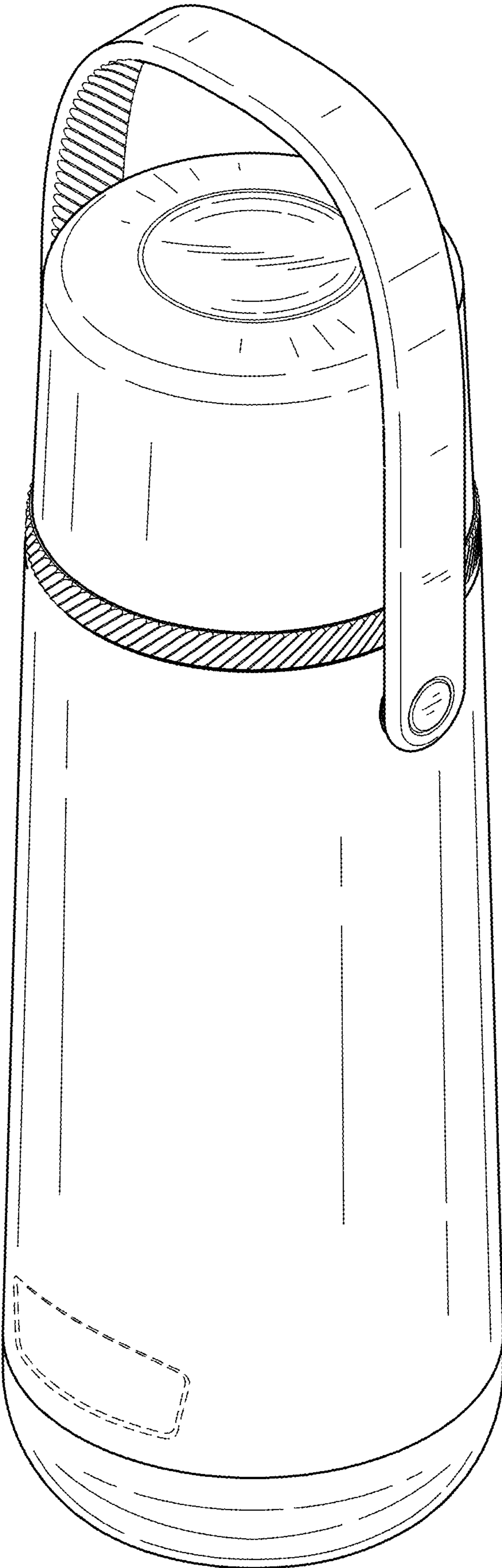


FIG. 1

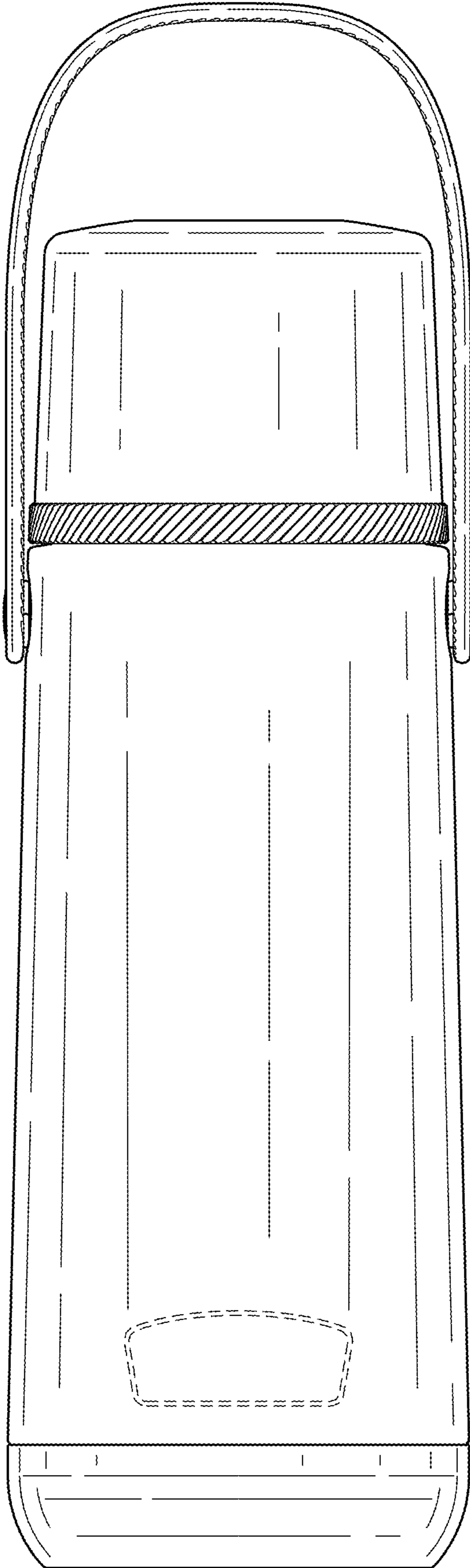


FIG. 2

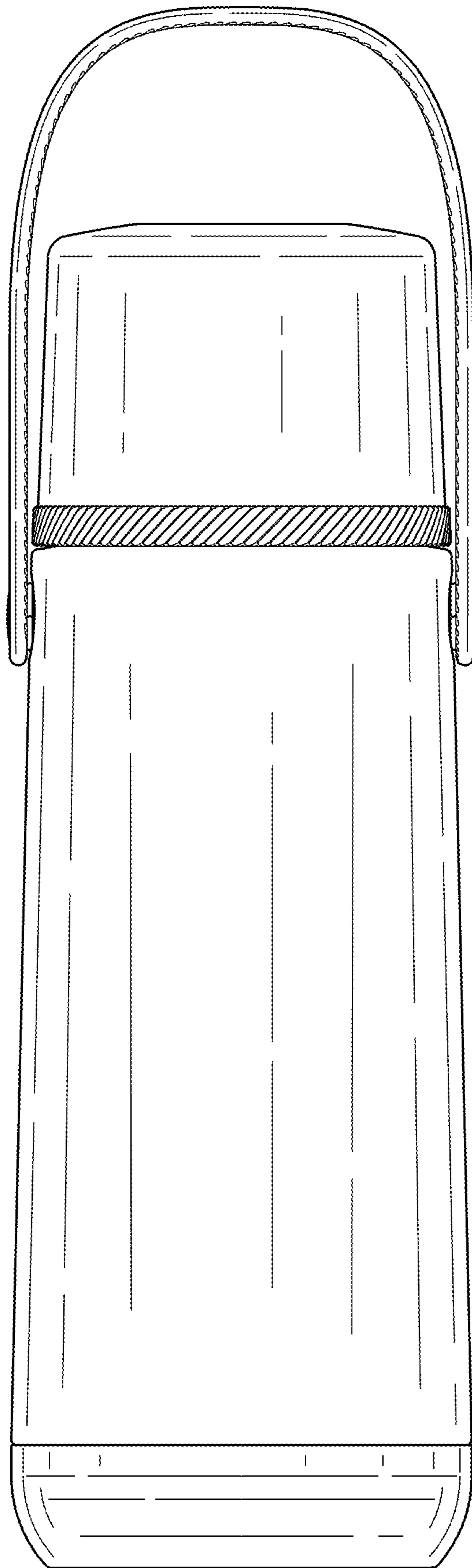


FIG. 3

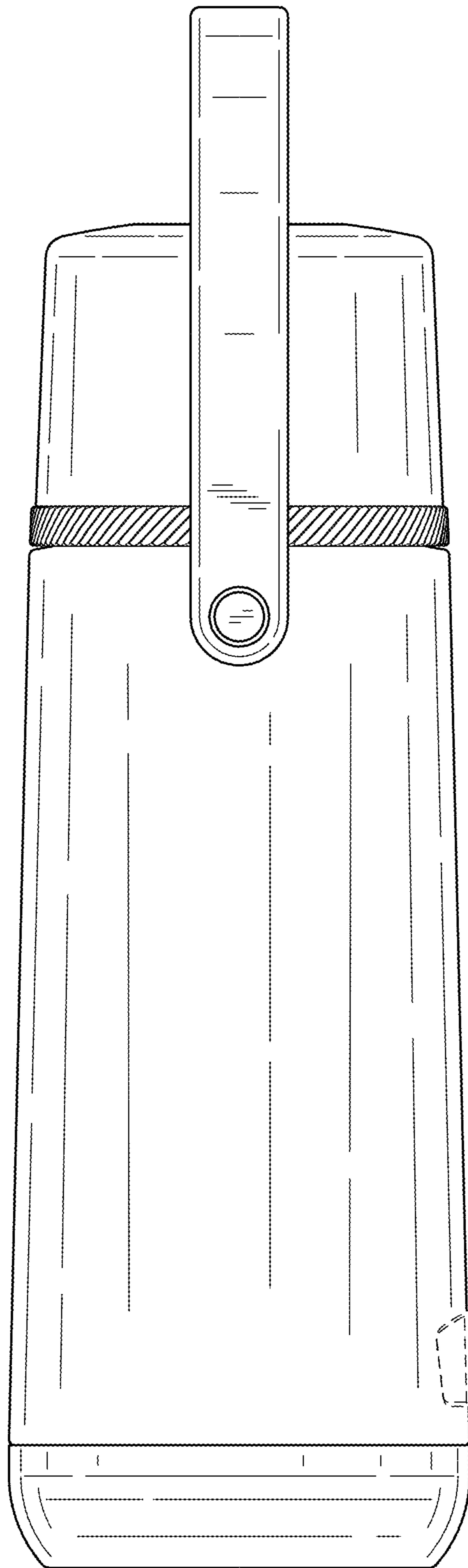


FIG. 4

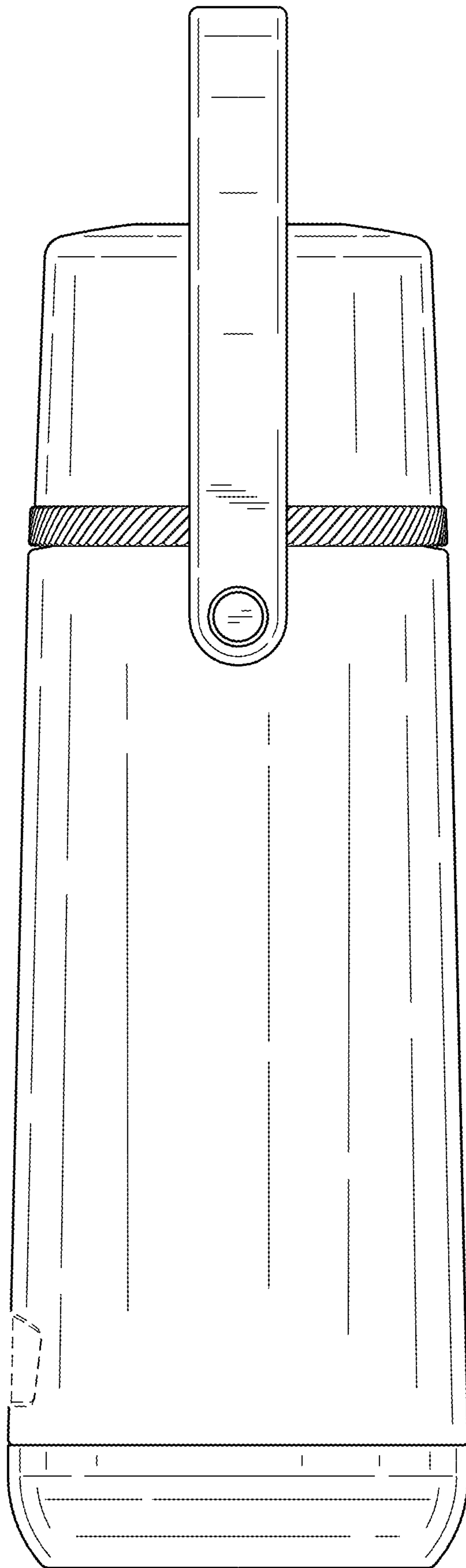


FIG. 5

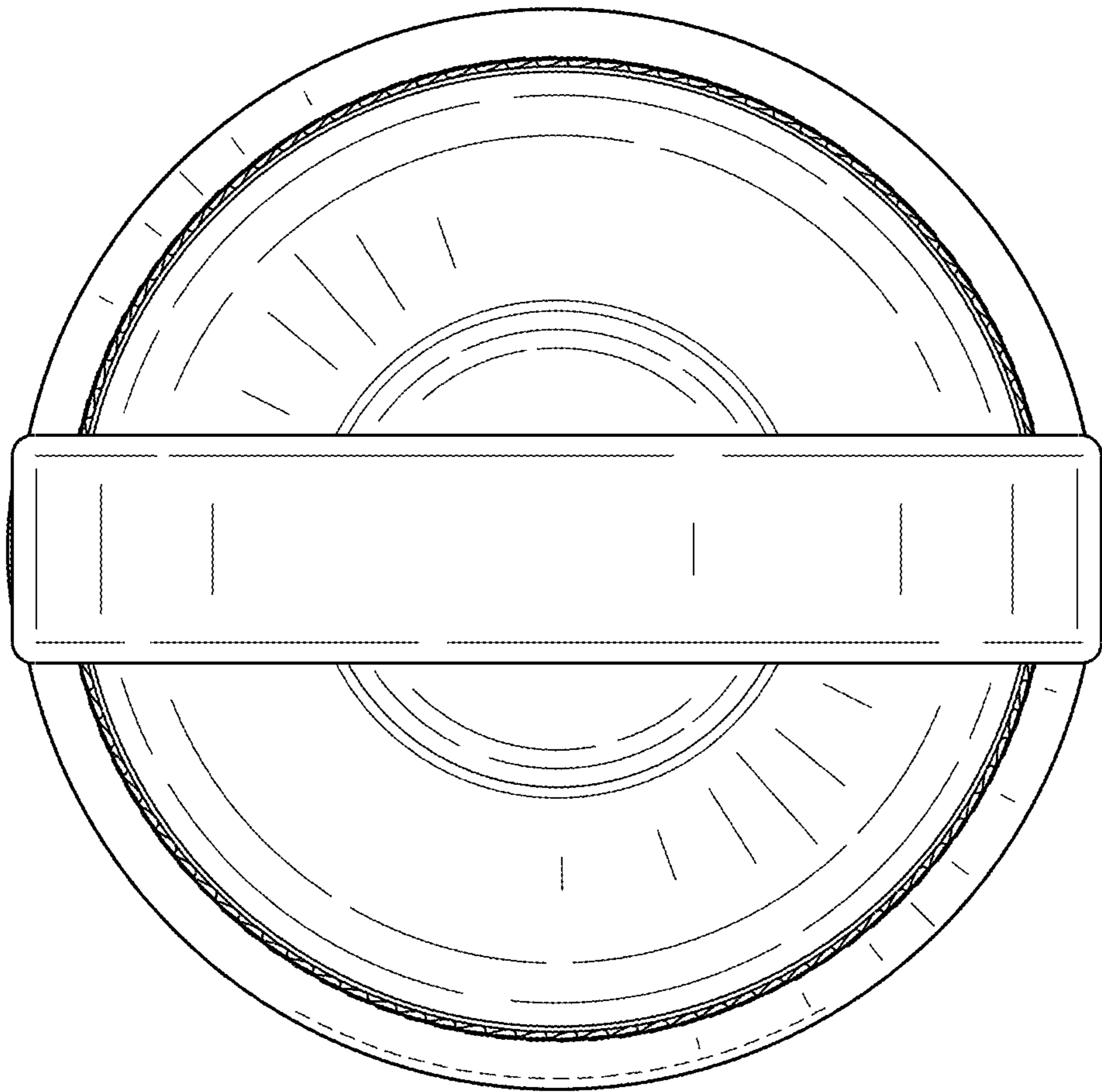


FIG. 6

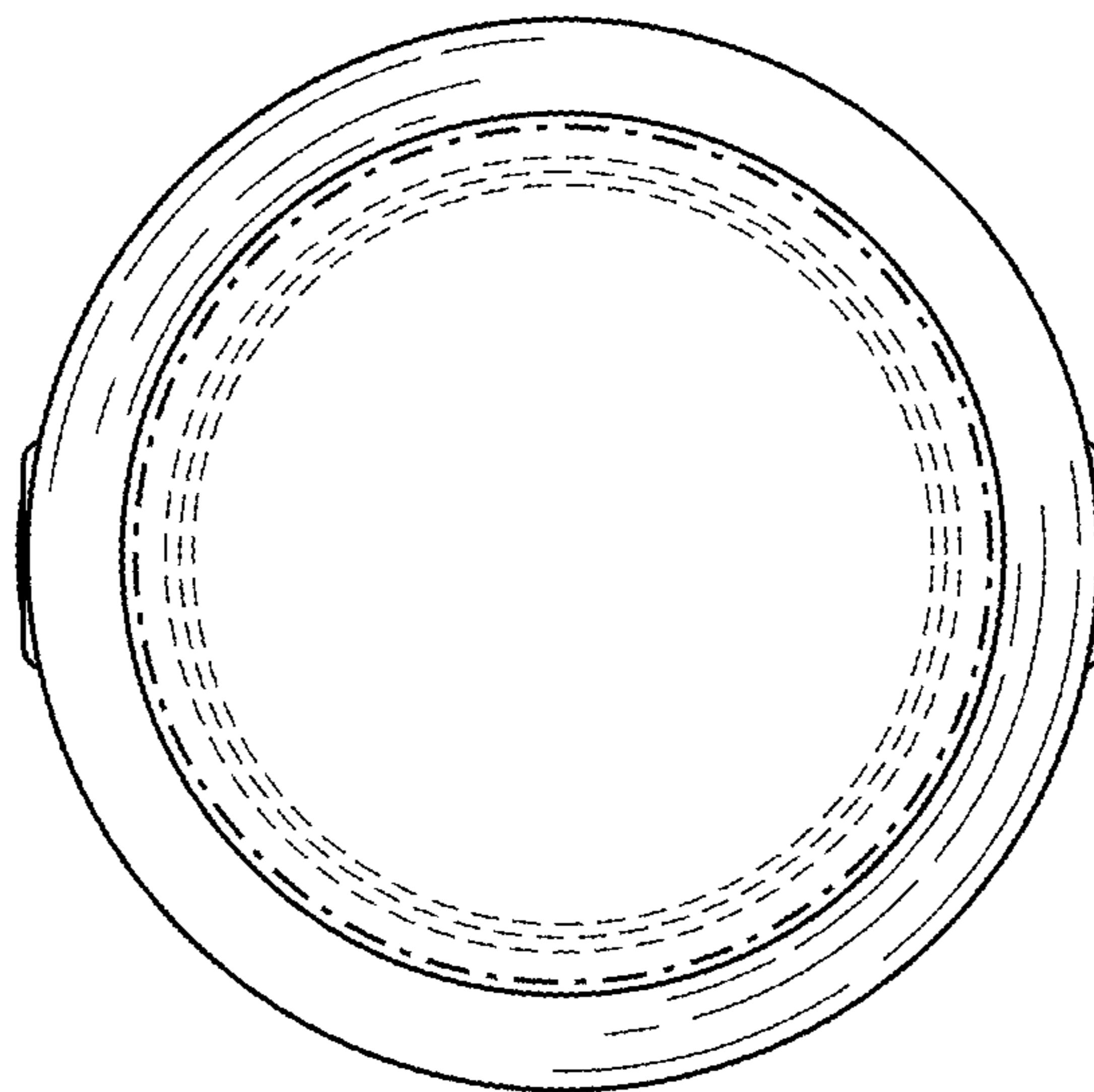


FIG. 7

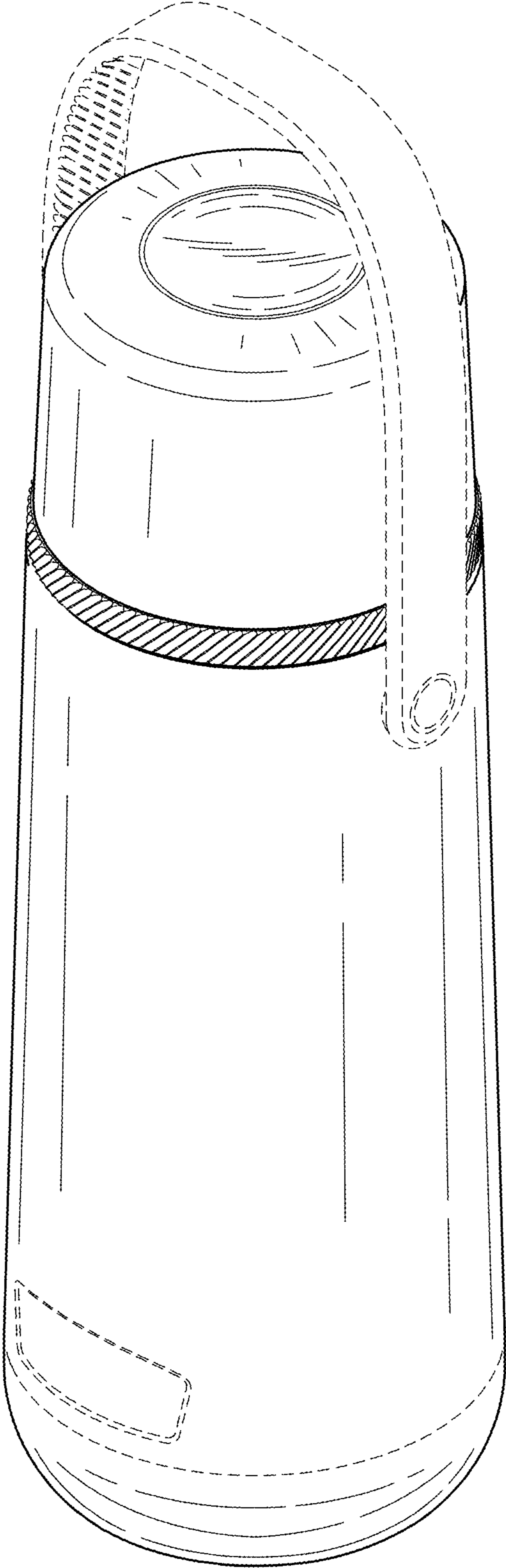


FIG. 8

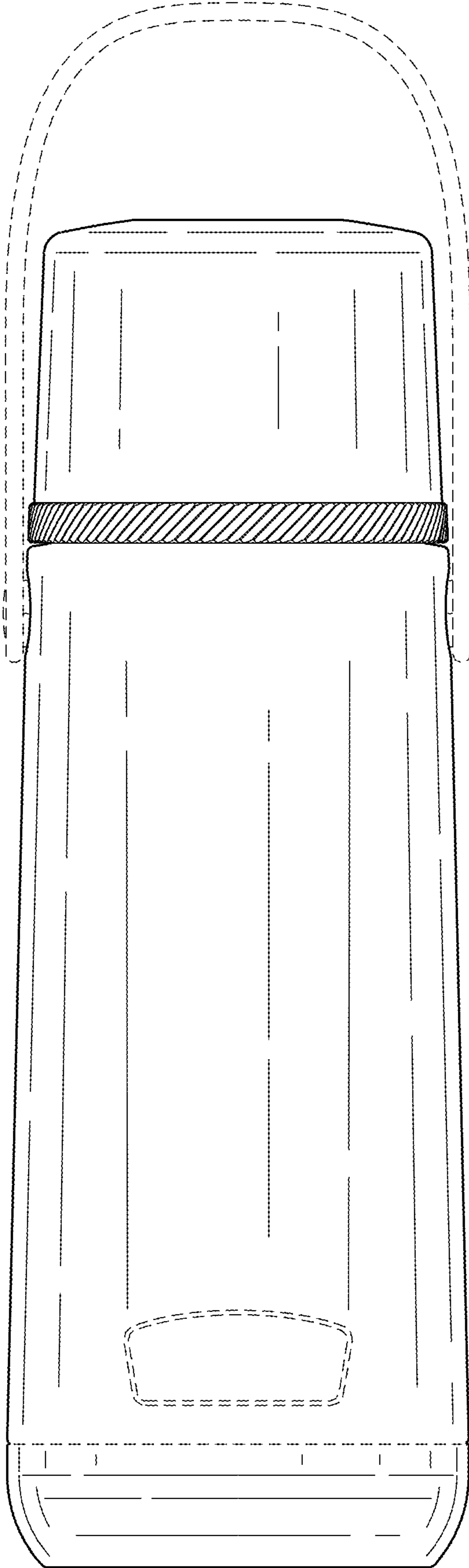


FIG. 9

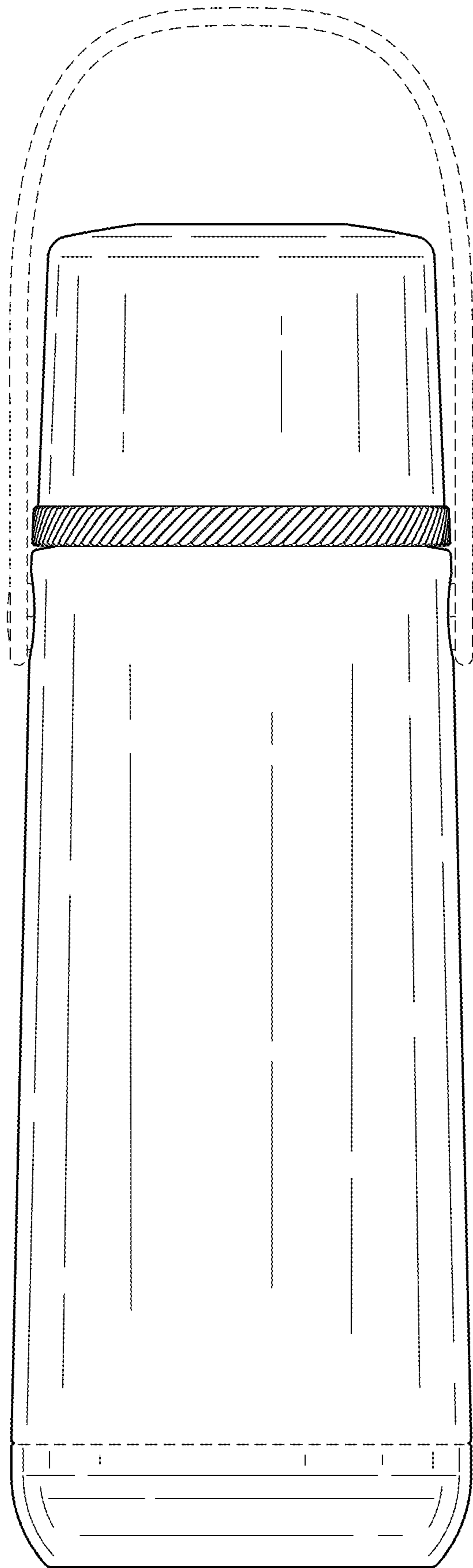


FIG. 10

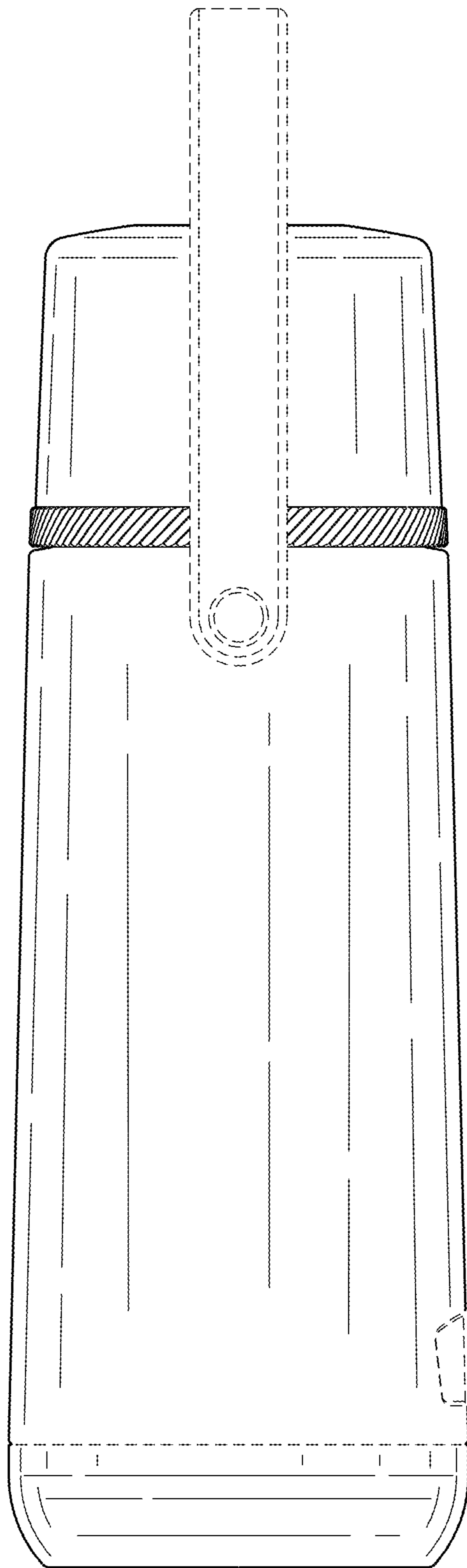


FIG. 11

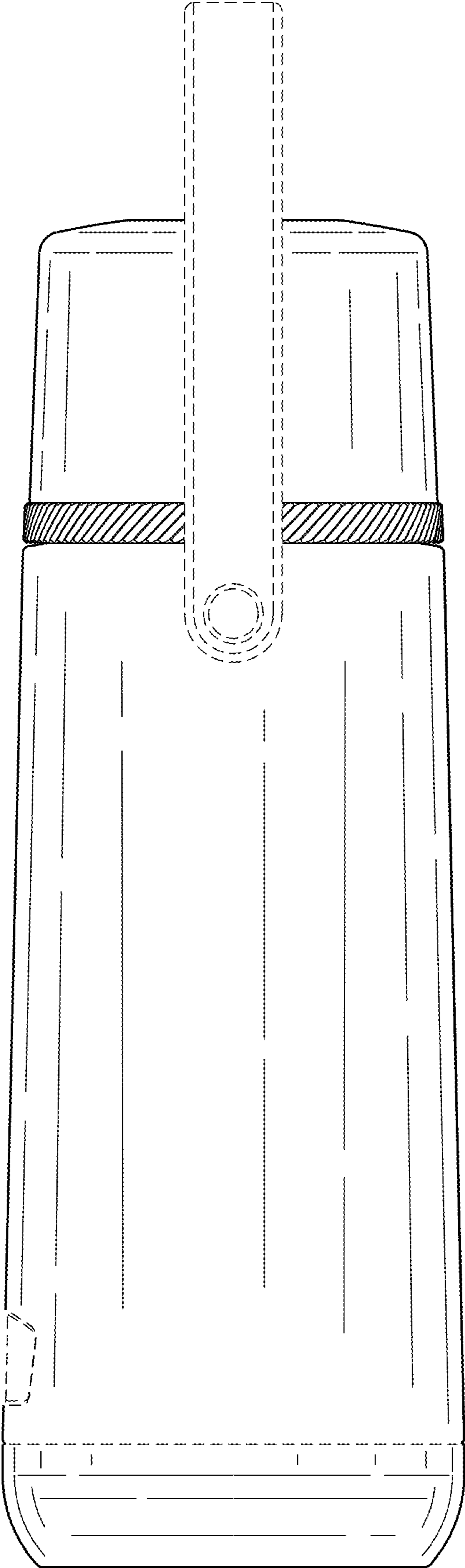


FIG. 12

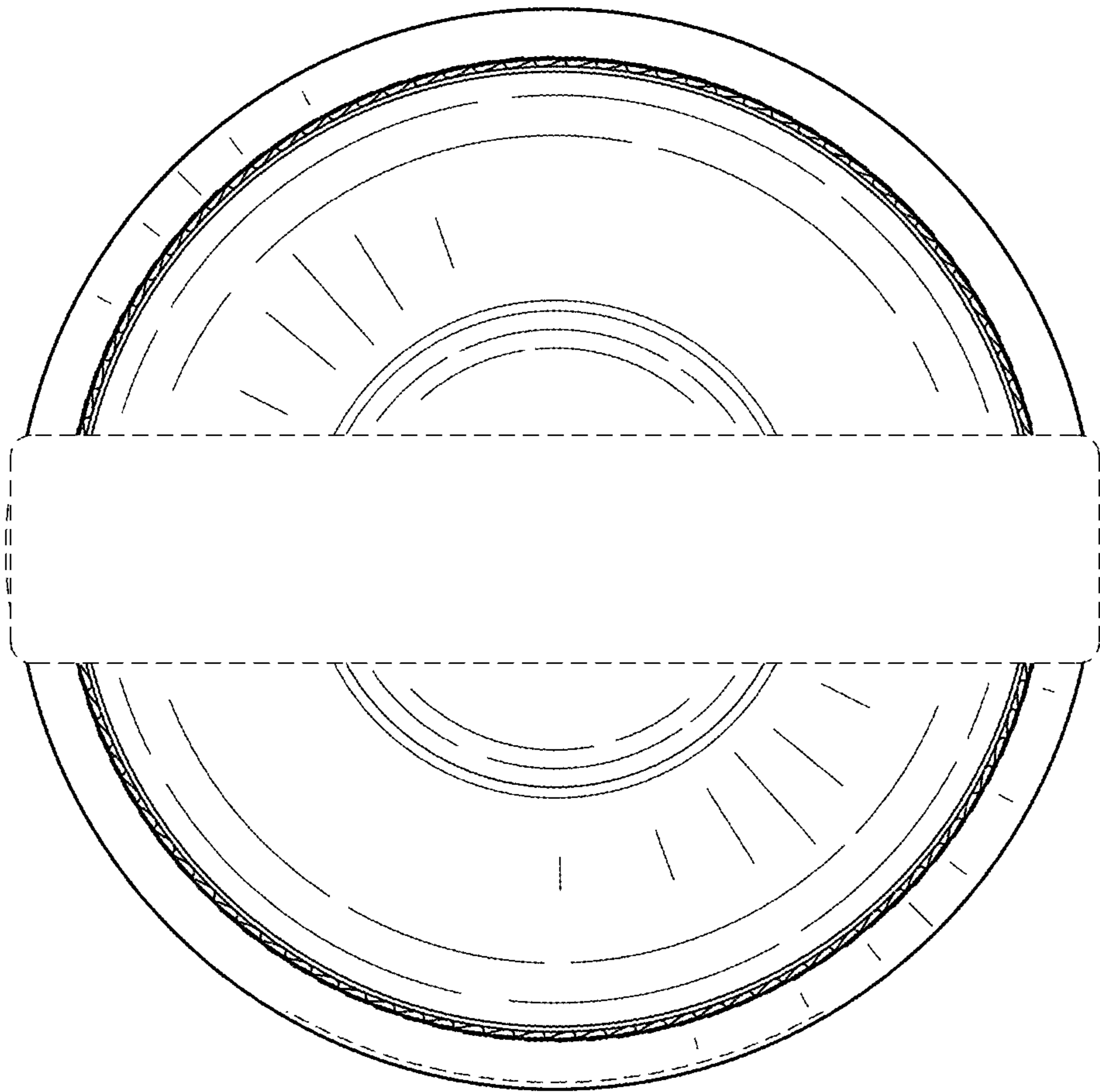


FIG. 13

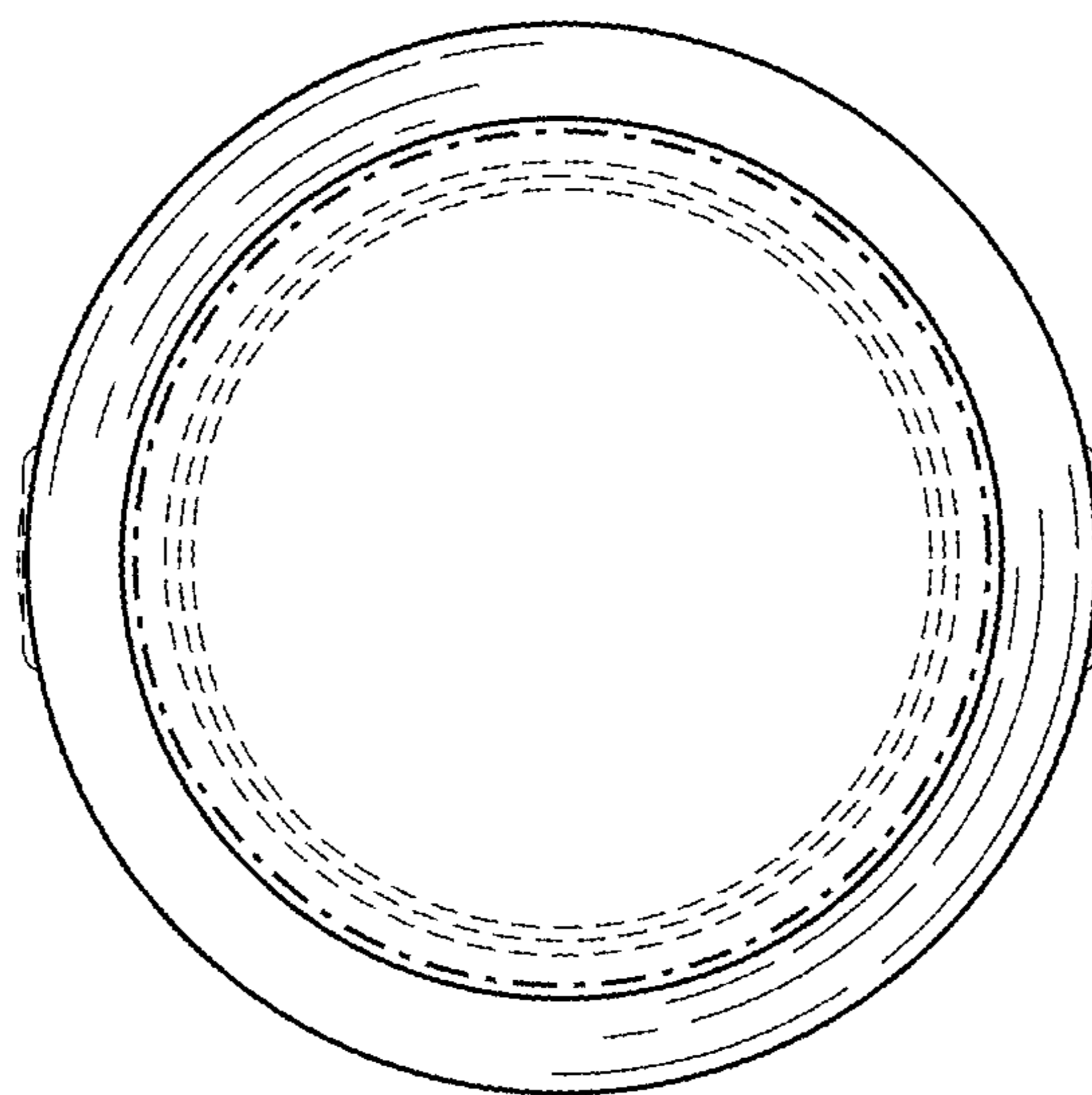


FIG. 14