



US00D883033S

(12) **United States Design Patent** (10) **Patent No.:** **US D883,033 S**
Bo (45) **Date of Patent:** **** May 5, 2020**

(54) **WATER BOTTLE**

(71) Applicant: **Yongkang Qiqing Industry and Trade Co., Ltd.**, Yongkang (CN)

(72) Inventor: **Zhang Bo**, Gongxian (CN)

(**) Term: **15 Years**

(21) Appl. No.: **29/701,231**

(22) Filed: **Aug. 9, 2019**

(51) **LOC (12) Cl.** **07-01**

(52) **U.S. Cl.**

USPC **D7/523**; D9/500

(58) **Field of Classification Search**

USPC D7/507, 509, 510, 511, 512, 523, 532,
D7/529, 531, 533, 535, 536, 608;
D9/503, 504, 552, 435, 447, 500;
D11/143, 144, 152, 153; D24/197

CPC A47J 41/0077; A47J 41/02; A47G 19/22;
A47G 19/2205; A47G 2019/2277; A47G
19/2288; A45F 3/20; A45F 2003/205;
B65D 43/02

See application file for complete search history.

(56) **References Cited**

U.S. PATENT DOCUMENTS

D372,868 S *	8/1996	Kobayashi	D9/778
D537,676 S *	3/2007	Kingsley	D7/510
D561,590 S *	2/2008	Kingsley	D7/509
D565,901 S *	4/2008	Edelstein	D7/510
D600,073 S *	9/2009	Carreno	D7/509
D631,699 S *	2/2011	Moreau	D7/509
D638,709 S *	5/2011	Yourist	D9/500
D660,082 S *	5/2012	Wahl	D7/510
D799,268 S *	10/2017	Gschwandtl	D7/509
D821,151 S *	6/2018	Lapsker	D7/511
D833,817 S *	11/2018	Sletten	D7/510

OTHER PUBLICATIONS

Wholesale High Quality Vacuum Flask Wide Mouth Insulated Stainless Steel Water Bottle fit in a car cup holder JP-1009-3, https://www.alibaba.com/product-detail/wholesale-High-Quality-Vacuum-Flask-Wide_60720151230.html?spm=a2700.icbuShop.41413.75.4ebb3428eyYyC4.

Good sell kids stainless steel vacuum insulated travel water bottle, https://www.alibaba.com/product-detail/Good-sell-kids-stainless-steel-vacuum_60730022508.html?spm=a2700.icbuShop.4141329.54eb5aabwh0Lei.

* cited by examiner

Primary Examiner — Jae Liang

(74) *Attorney, Agent, or Firm* — KA Filing LLC; Wayne V. Harper

(57) **CLAIM**

I claim the ornamental design for a water bottle, as shown and described.

DESCRIPTION

FIG. 1 is a Perspective view of a water bottle showing my new design;

FIG. 2 is a Front view of the water bottle as shown in FIG. 1;

FIG. 3 is a Back view of the water bottle as shown in FIG. 1;

FIG. 4 is a Right-side view of the water bottle as shown in FIG. 1;

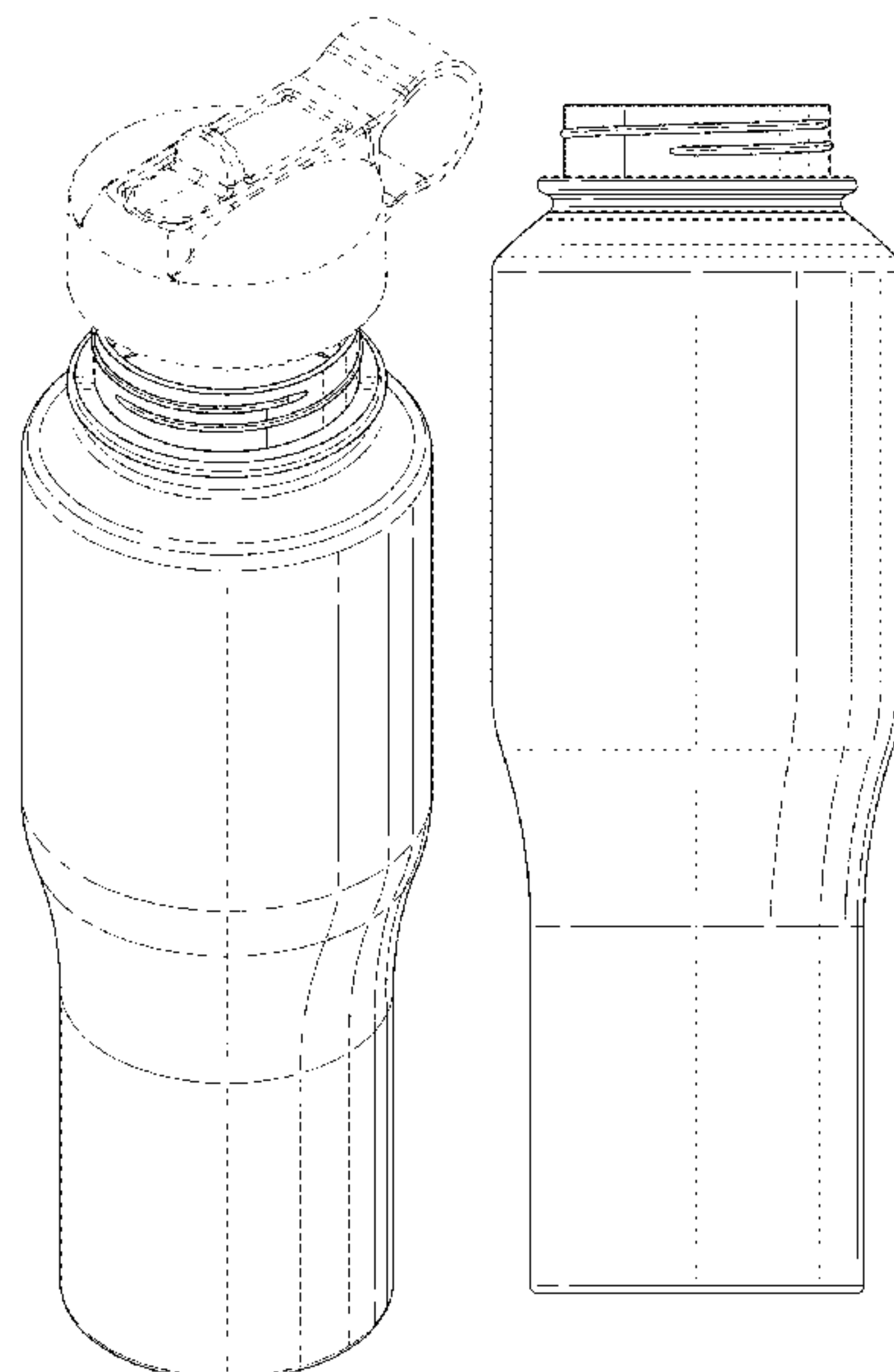
FIG. 5 is a left-side view of the water bottle as shown in FIG. 1;

FIG. 6 is a Top view of the water bottle as shown in FIG. 1; and,

FIG. 7 is Bottom view of the water bottle as shown in FIG. 1.

The broken lines are only for environmental purposes and form no part of the claimed design.

1 Claim, 7 Drawing Sheets



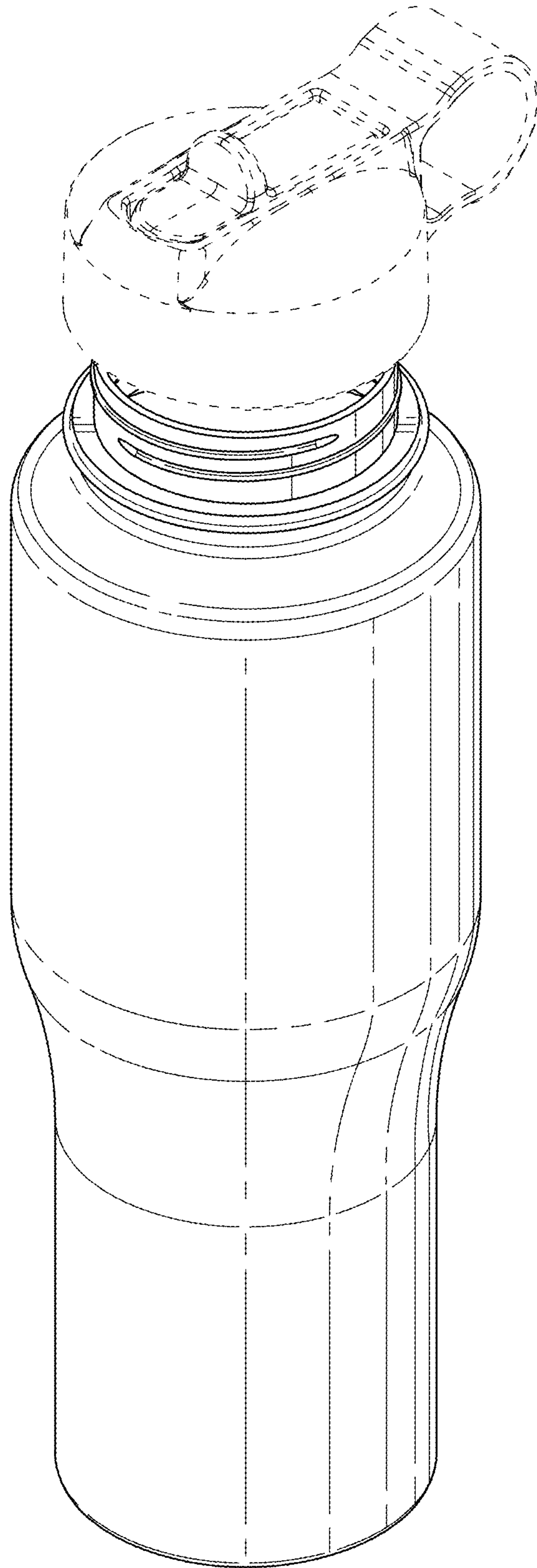


FIG. 1

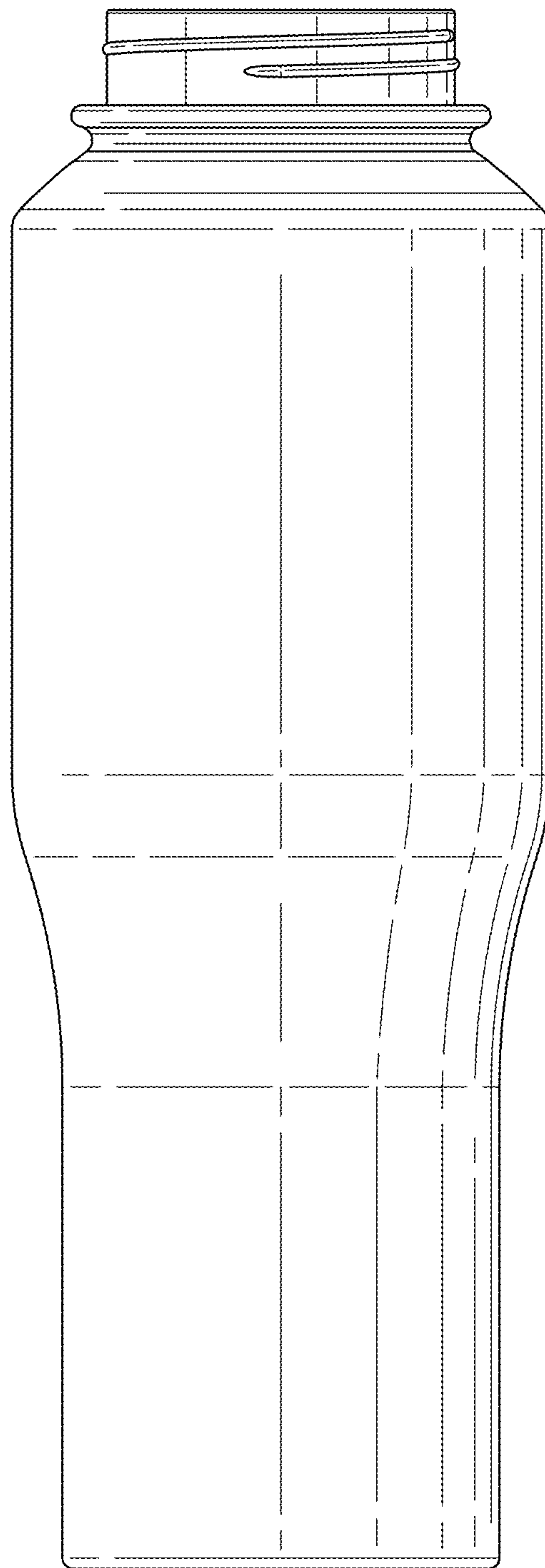


FIG. 2

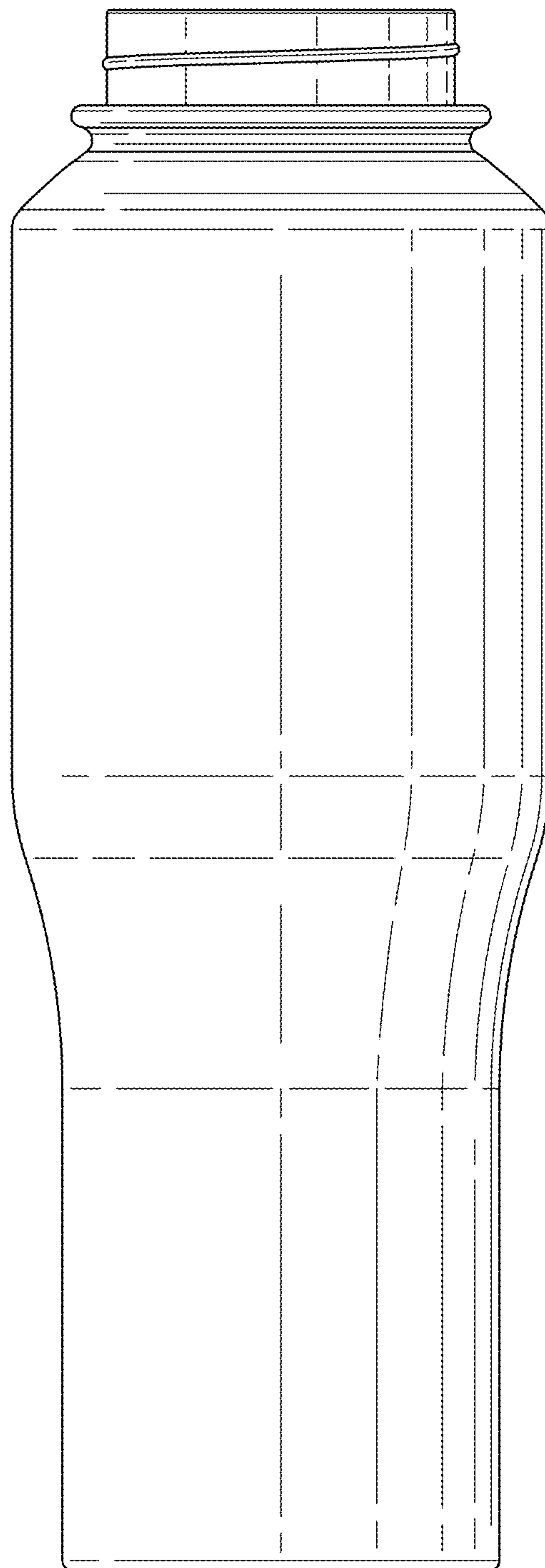


FIG. 3

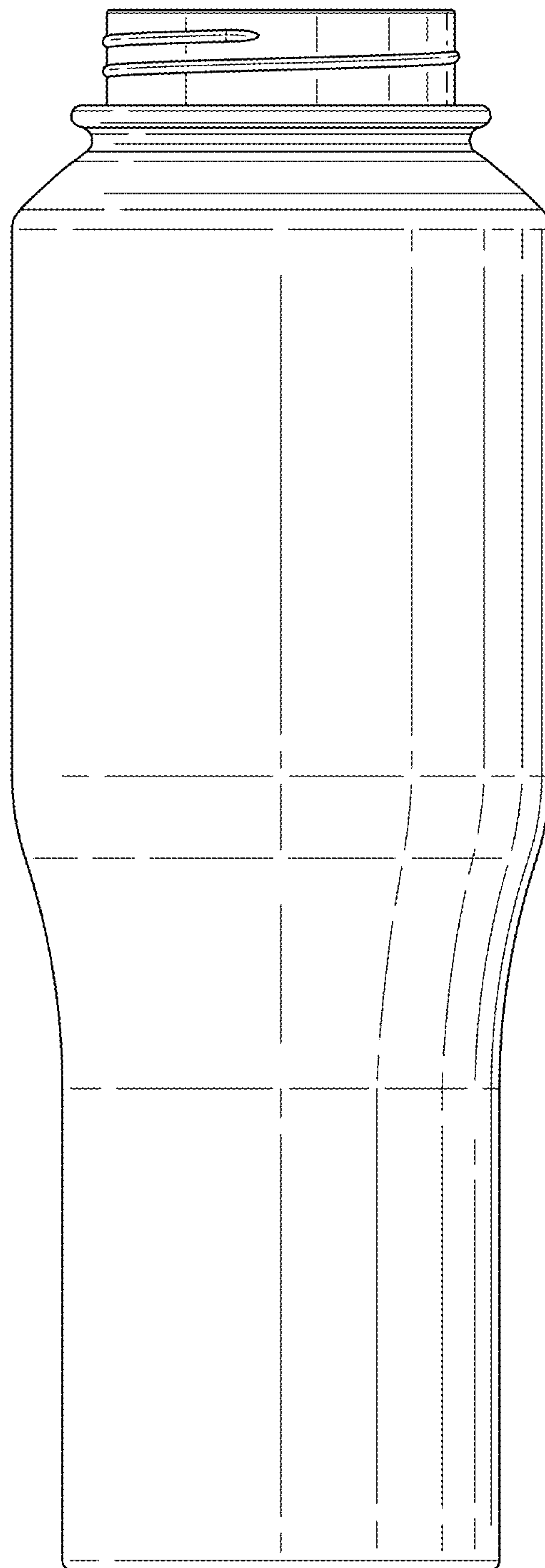


FIG. 4

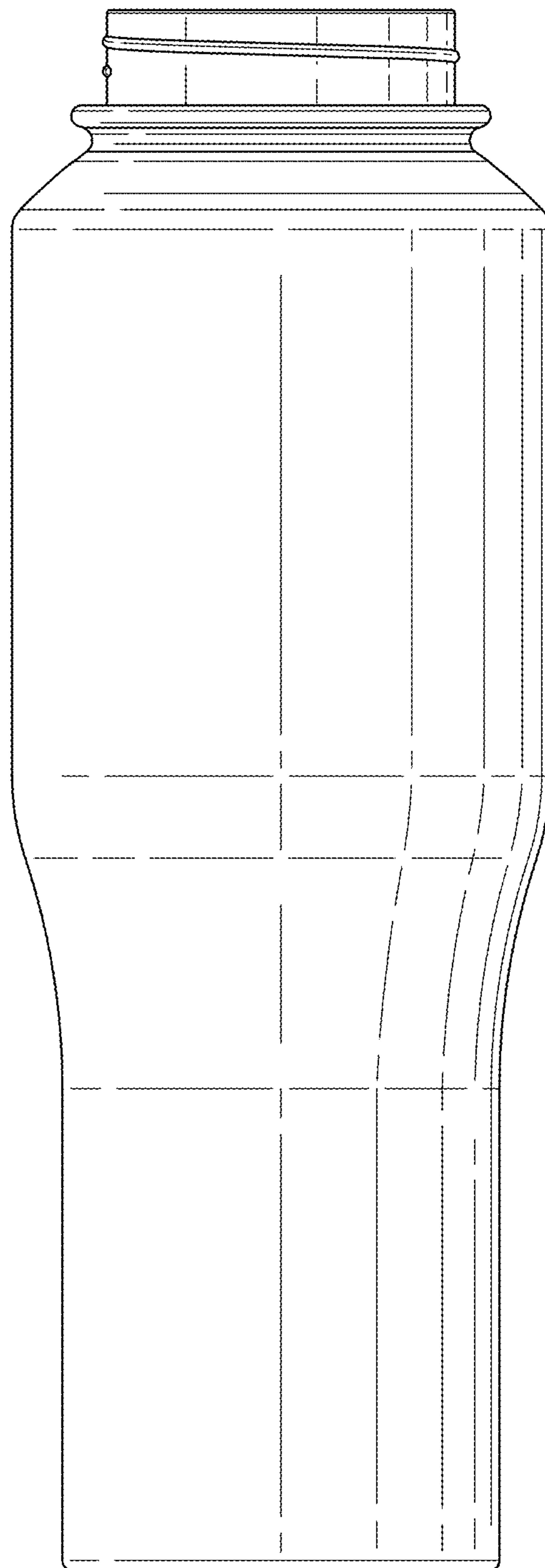


FIG. 5

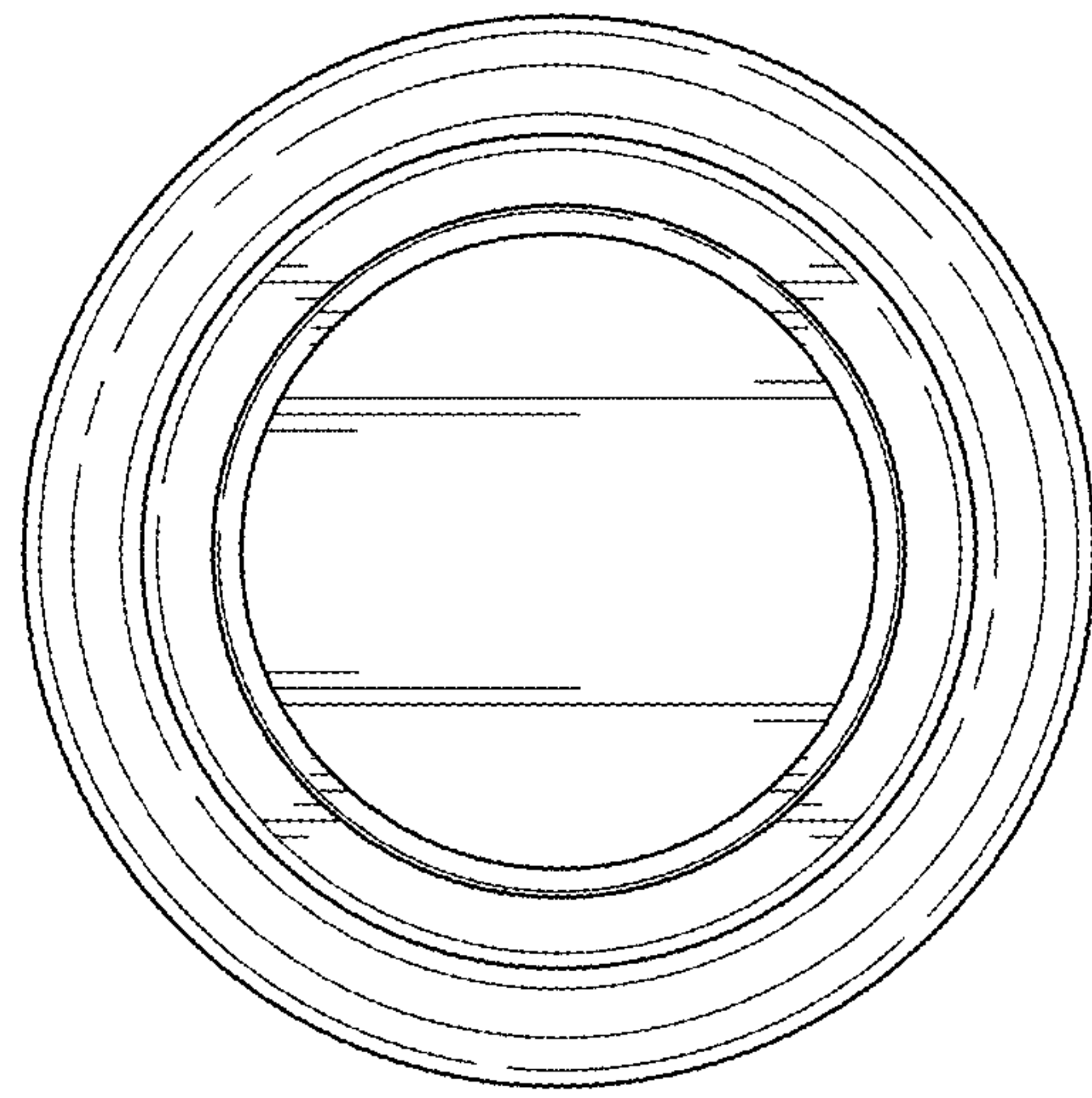


FIG. 6

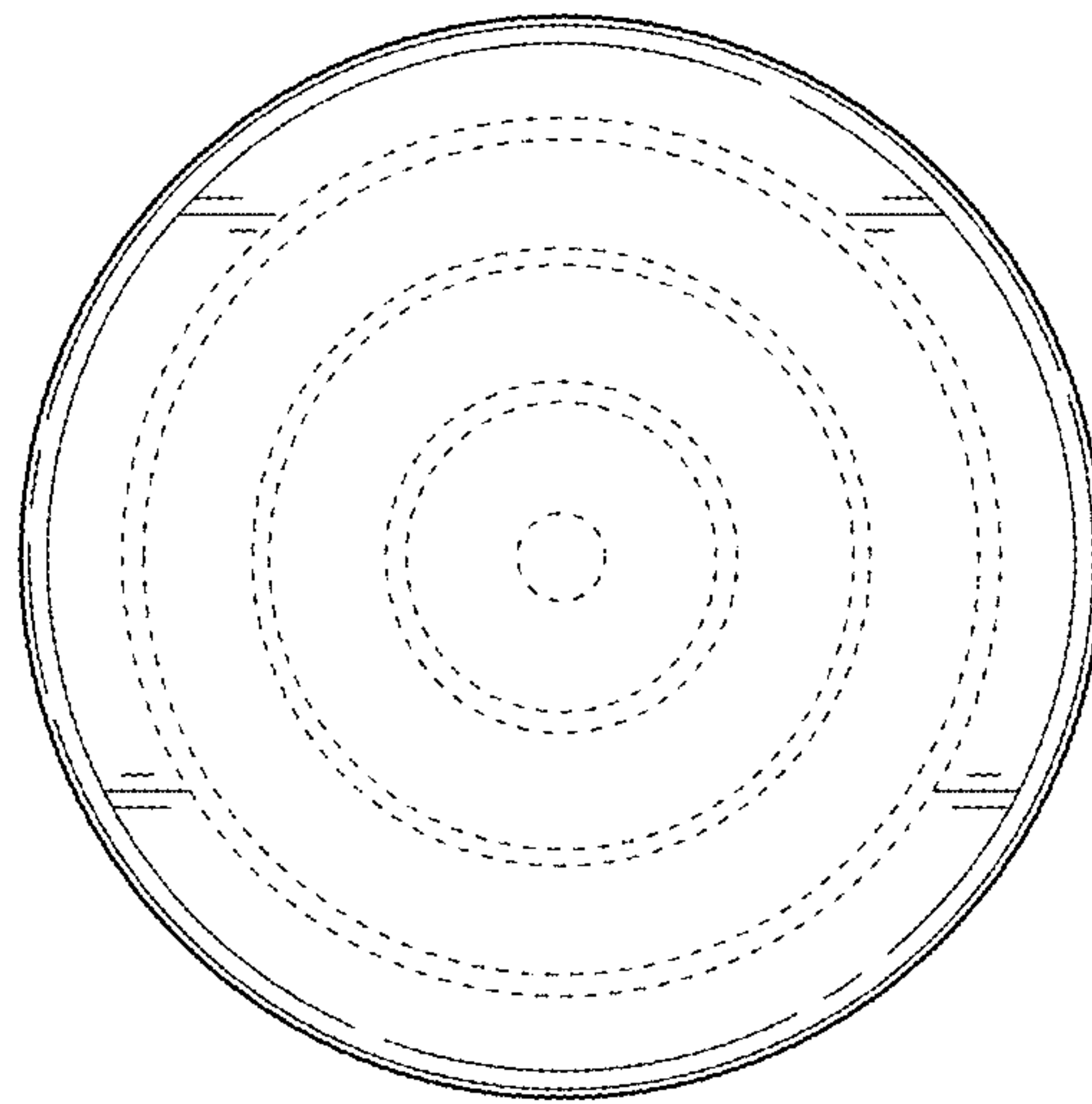


FIG. 7